



US00D985751S

(12) **United States Design Patent**
Jones

(10) **Patent No.:** **US D985,751 S**

(45) **Date of Patent:** **** May 9, 2023**

- (54) **THREE-BLADED CEILING FAN**
- (71) Applicant: **CRAFTMADE INTERNATIONAL, INC.**, Grand Prairie, TX (US)
- (72) Inventor: **Jimmy J. Jones**, Crowley, TX (US)
- (73) Assignee: **CRAFTMADE INTERNATIONAL, INC.**, Grand Prairie, TX (US)
- (**) Term: **15 Years**
- (21) Appl. No.: **29/810,953**
- (22) Filed: **Oct. 10, 2021**
- (51) **LOC (14) Cl.** **23-04**
- (52) **U.S. Cl.**
USPC **D23/377**
- (58) **Field of Classification Search**
USPC D23/370, 377, 379, 385, 411, 413;
D26/59
CPC F04D 25/088; F04D 29/38; F04D 29/384;
F04D 29/386; F21V 33/0096
See application file for complete search history.

(56) **References Cited**

U.S. PATENT DOCUMENTS

- D671,203 S * 11/2012 Wang D26/59
- D771,230 S * 11/2016 Jones D23/377
- D773,030 S * 11/2016 Puerto D23/377
- D858,735 S * 9/2019 Wang D23/377

- D886,979 S * 6/2020 Gorali D23/377
- D890,910 S * 7/2020 Hagggar D23/377
- D933,188 S * 10/2021 Li D23/377
- D933,810 S * 10/2021 Li D23/413
- D968,582 S * 11/2022 Holmes Bradley D23/377
- 2021/0353813 A1* 11/2021 Wald F04D 25/088

* cited by examiner

Primary Examiner — Sharon S Oum

(74) *Attorney, Agent, or Firm* — Guy V. Manning

(57) **CLAIM**

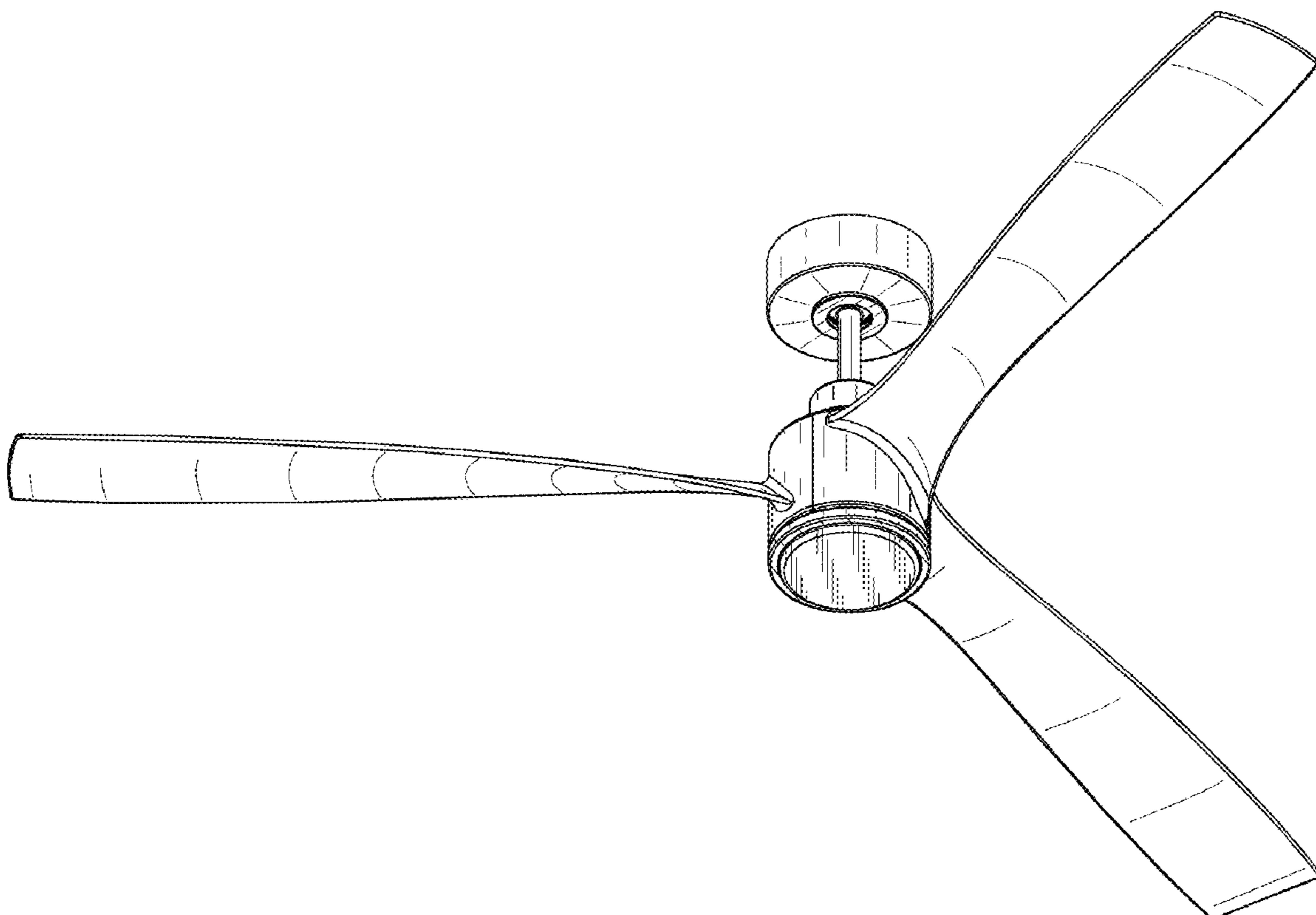
The ornamental design for a three-bladed ceiling fan, as shown and described.

DESCRIPTION

FIG. 1 is an elevated, front left-quartering perspective view of the new design for a three-bladed ceiling fan;
 FIG. 2 is a lowered, front left-quartering perspective view of the design of FIG. 1;
 FIG. 3 is a right side elevational view of the design of FIG. 1;
 FIG. 4 is a left side elevational view of the design of FIG. 1;
 FIG. 5 is a bottom plan view of the design of FIG. 1;
 FIG. 6 is a rear elevational view of the design of FIG. 1;
 FIG. 7 is a top plan view of the design of FIG. 1; and,
 FIG. 8 is a front elevational view of the design shown in FIG. 1.

The broken lines included within the drawing figures (FIGS. 1, 7) depict environmental subject matter only and form no part of the claimed design.

1 Claim, 4 Drawing Sheets



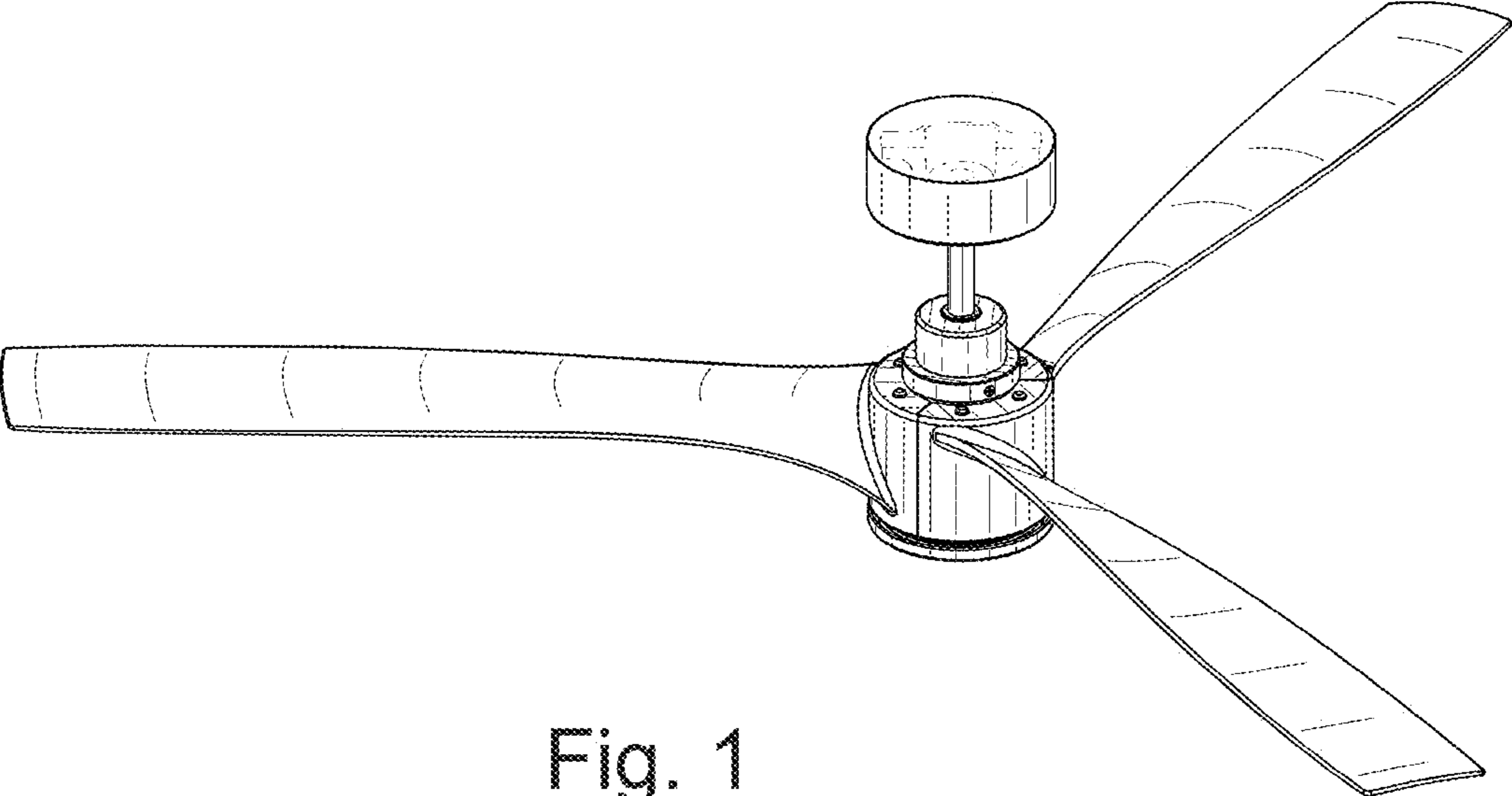


Fig. 1

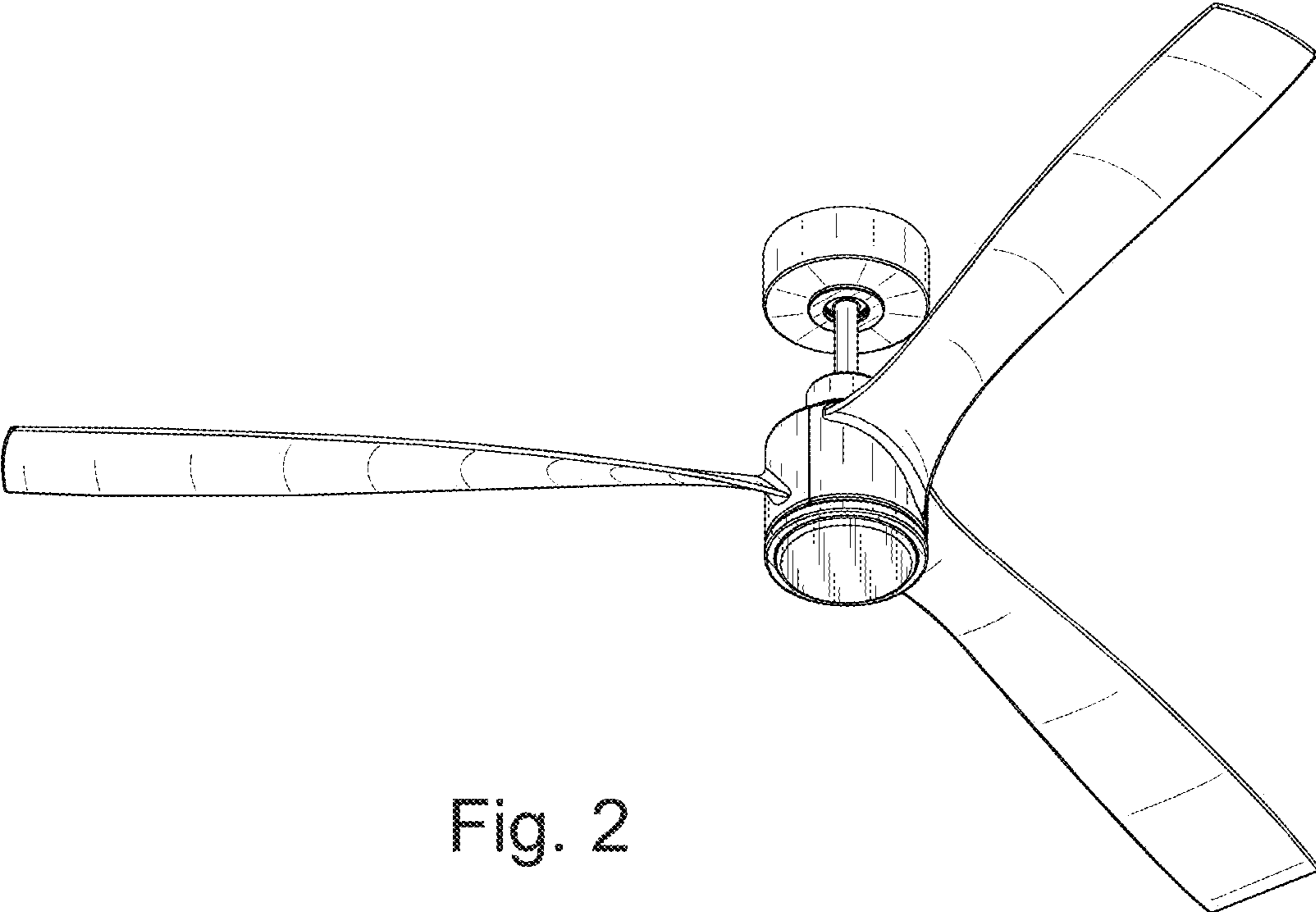


Fig. 2

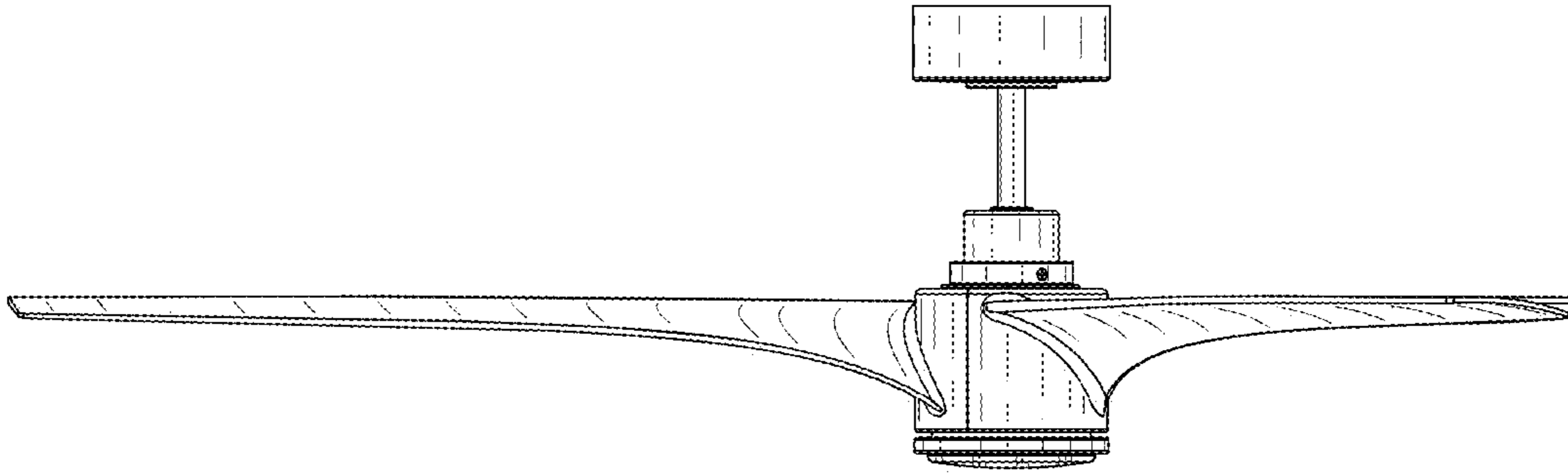


Fig. 3

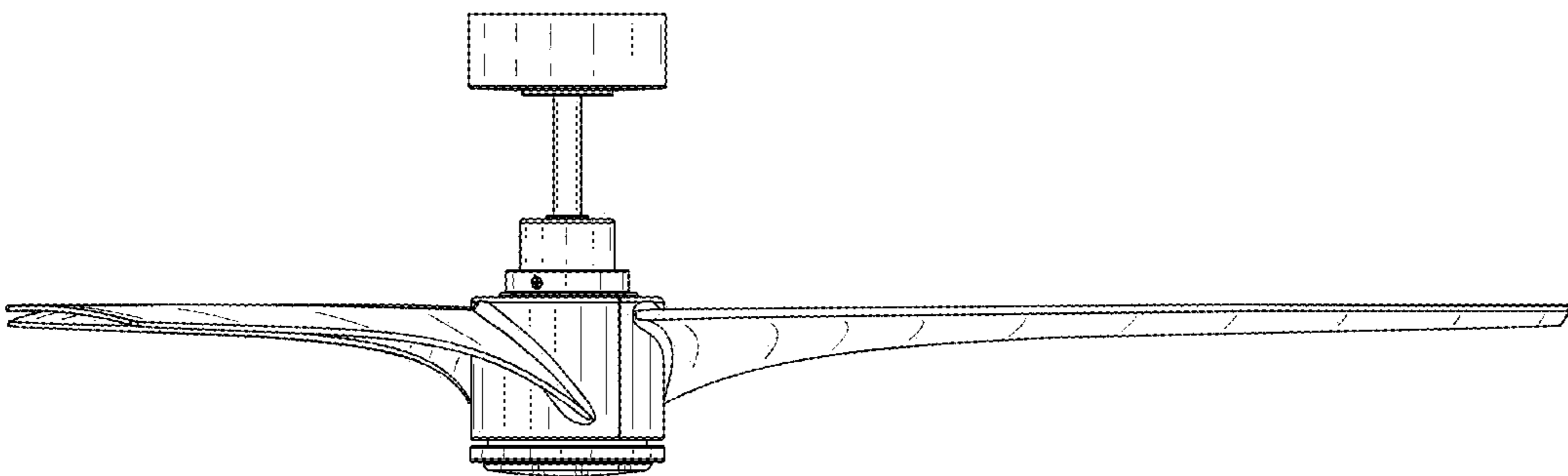


Fig. 4

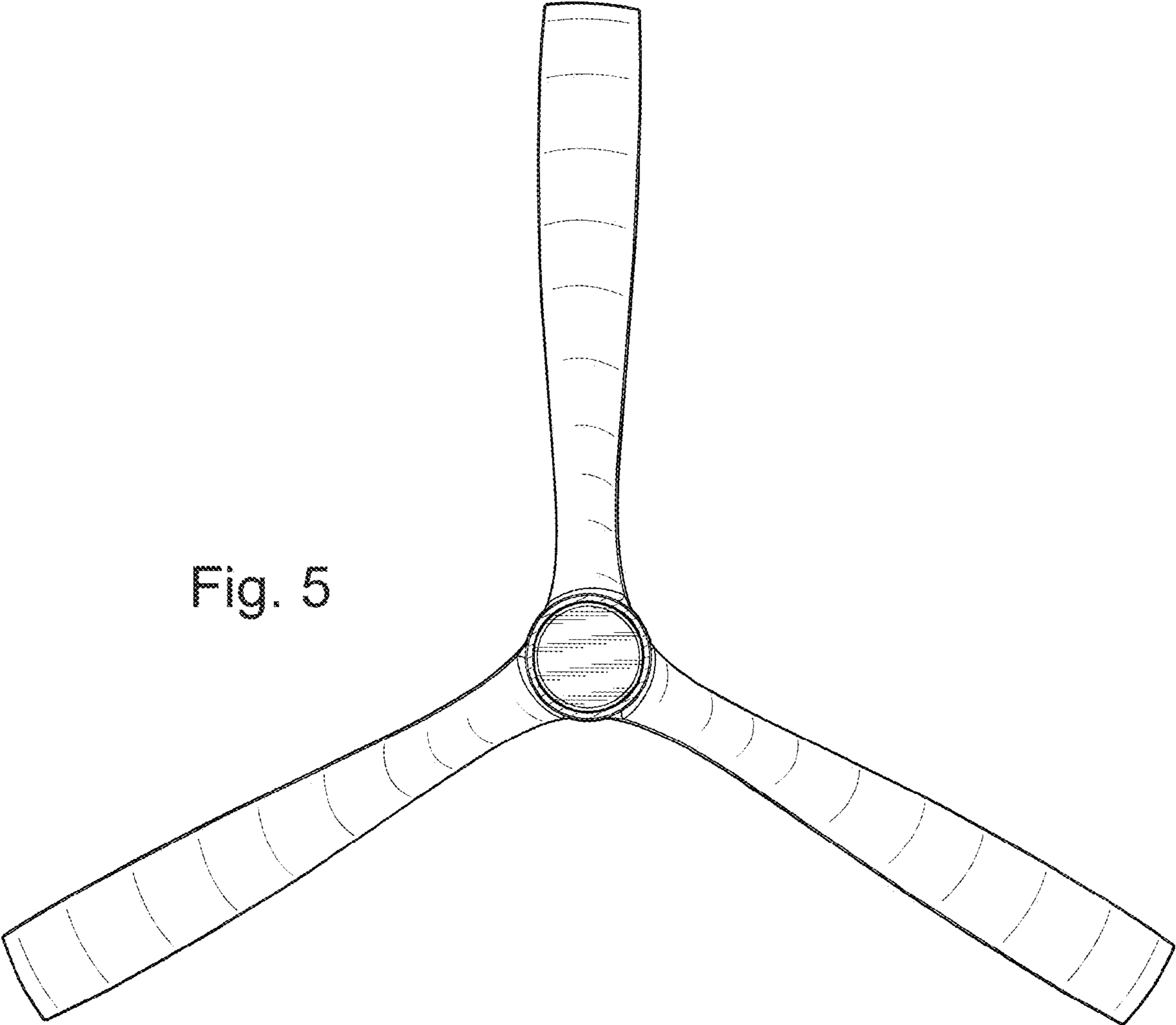


Fig. 5

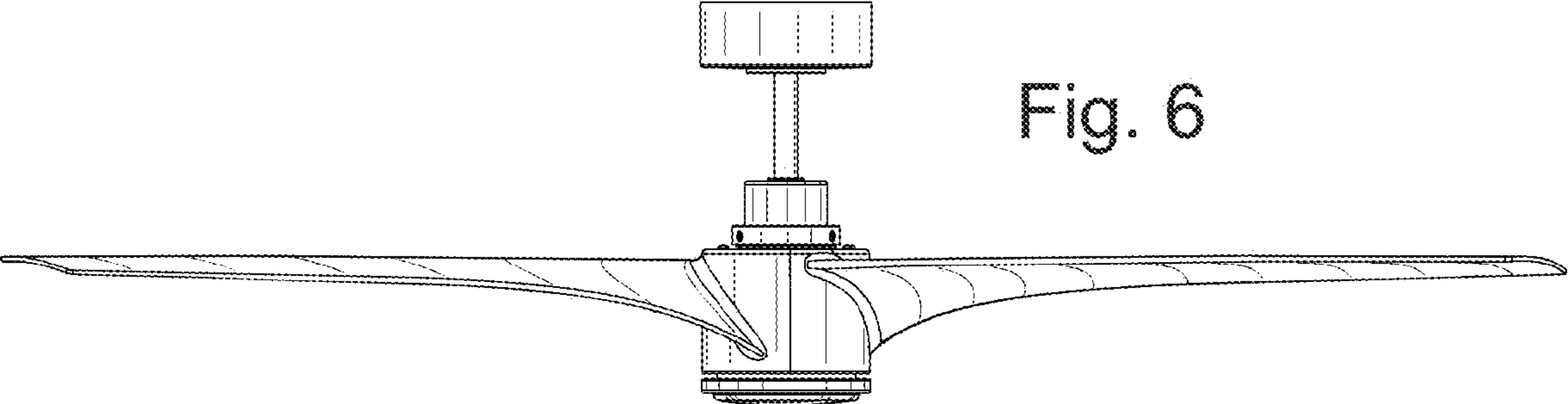


Fig. 6

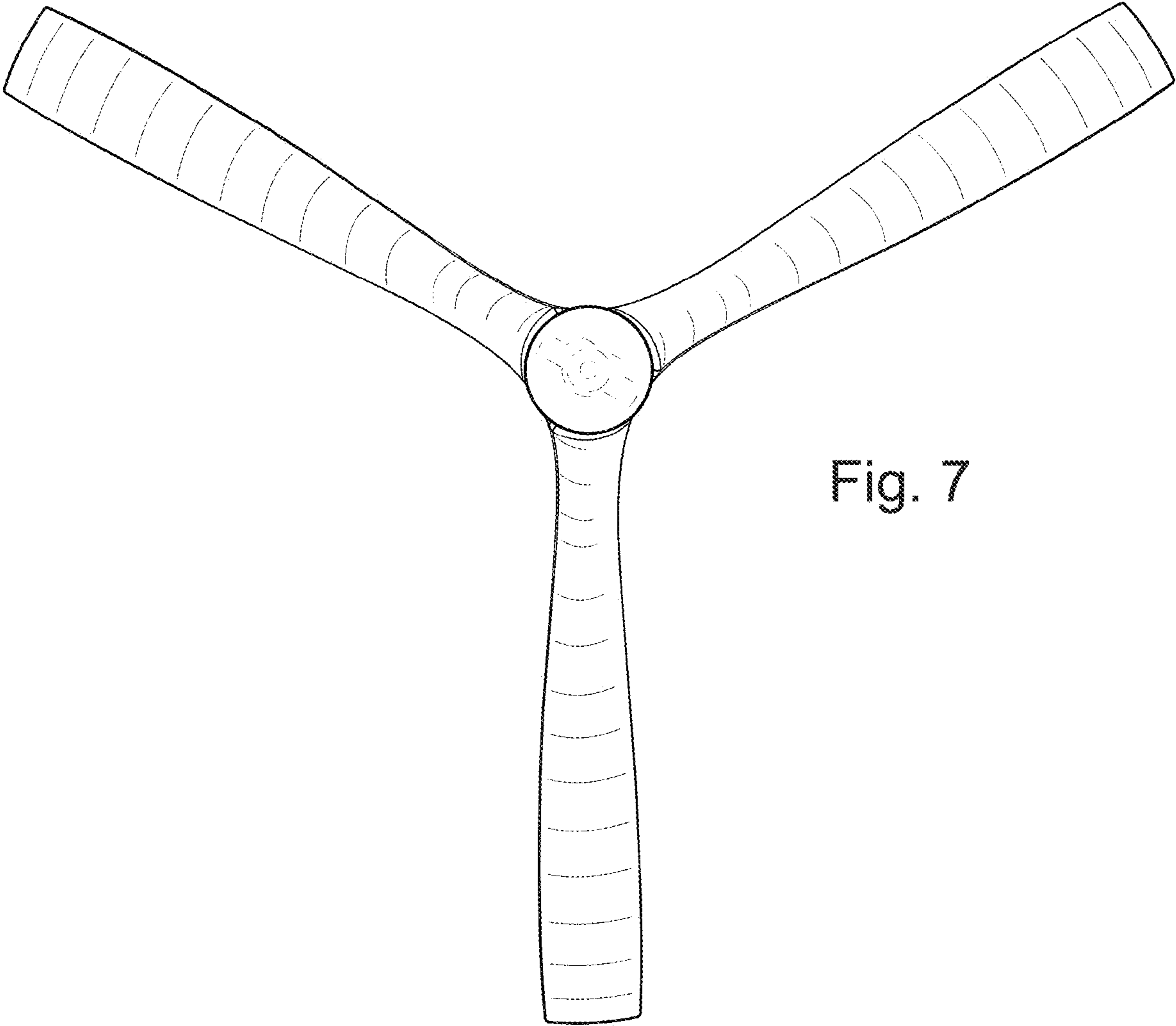


Fig. 7

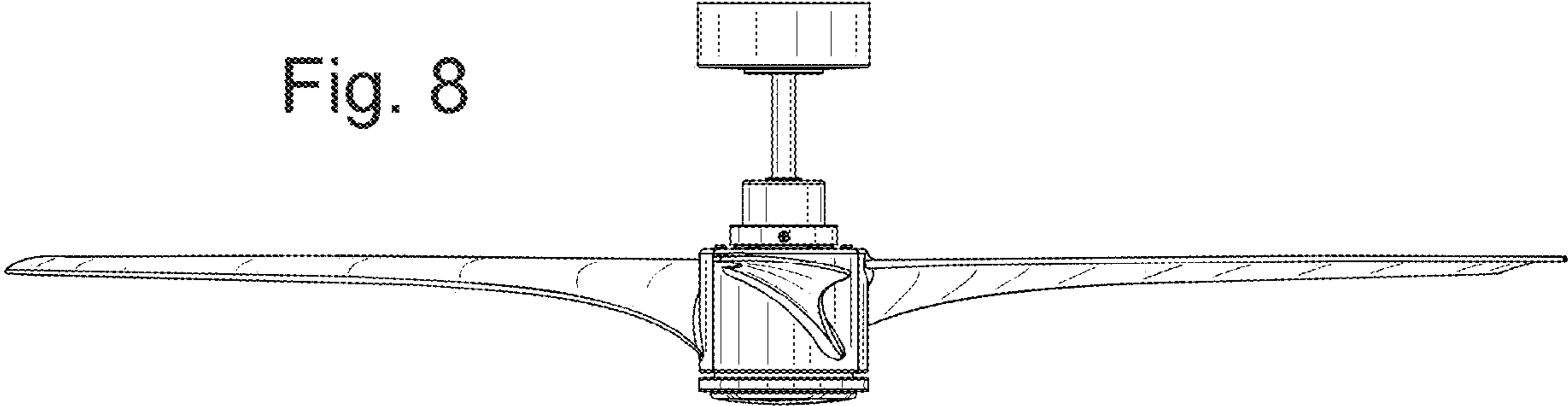


Fig. 8