



US00D985748S

(12) **United States Design Patent**
Bennett et al.

(10) **Patent No.:** **US D985,748 S**
(45) **Date of Patent:** **** May 9, 2023**

- (54) **VEHICLE AIR FRESHENER**
- (71) Applicant: **HOPKINS MANUFACTURING CORPORATION**, Emporia, KS (US)
- (72) Inventors: **Kyle M. Bennett**, Emporia, KS (US);
Yafah Johnson, Simi Valley, CA (US)
- (73) Assignee: **HOPKINS MANUFACTURING CORPORATION**, Emporia, KS (US)
- (**) Term: **15 Years**
- (21) Appl. No.: **29/796,218**
- (22) Filed: **Jun. 23, 2021**
- (51) **LOC (14) Cl.** **23-04**
- (52) **U.S. Cl.**
USPC **D23/366**
- (58) **Field of Classification Search**
USPC D23/213, 332, 333, 336, 355–369, 370,
D23/386, 388; D26/26, 40, 46, 49, 97,
D26/123, 124; D14/125, 195, 204, 221,
D14/228, 253, 348, 358, 496; D12/415;
D3/211; D15/5
CPC A61L 9/03; A61L 9/04; A61L 9/05; A61L
9/12; A61L 9/14; A61L 9/012; A61L
9/015; A61L 9/048; A61L 9/122; A61L
9/127; A61L 2209/11; A61L 2209/14;
A61L 2209/133; Y10S 261/17; Y10S
261/88; Y10S 261/89; H04B 1/3877
See application file for complete search history.

D786,549 S * 5/2017 Dandachli D3/211
D793,452 S * 8/2017 Regnier D15/5
D807,024 S * 1/2018 Dandachli D3/211
(Continued)

OTHER PUBLICATIONS

Car Air Freshener. "Gearhead Clip." www.farmandfleet.com. Online Retail Sales page for car air freshener. Thurs. Oct. 13, 2022. Shown in pp. 1-2. Full URL: <https://www.farmandfleet.com/products/1372320-arm-and-hammer-gearhead-turbo-vent-clip-new-car-car-air-freshener.html>.*

Primary Examiner — Gino Colan
Assistant Examiner — David Obrien
(74) *Attorney, Agent, or Firm* — Hovey Williams LLP

(57) **CLAIM**

The ornamental design for a vehicle air freshener, as shown and described.

DESCRIPTION

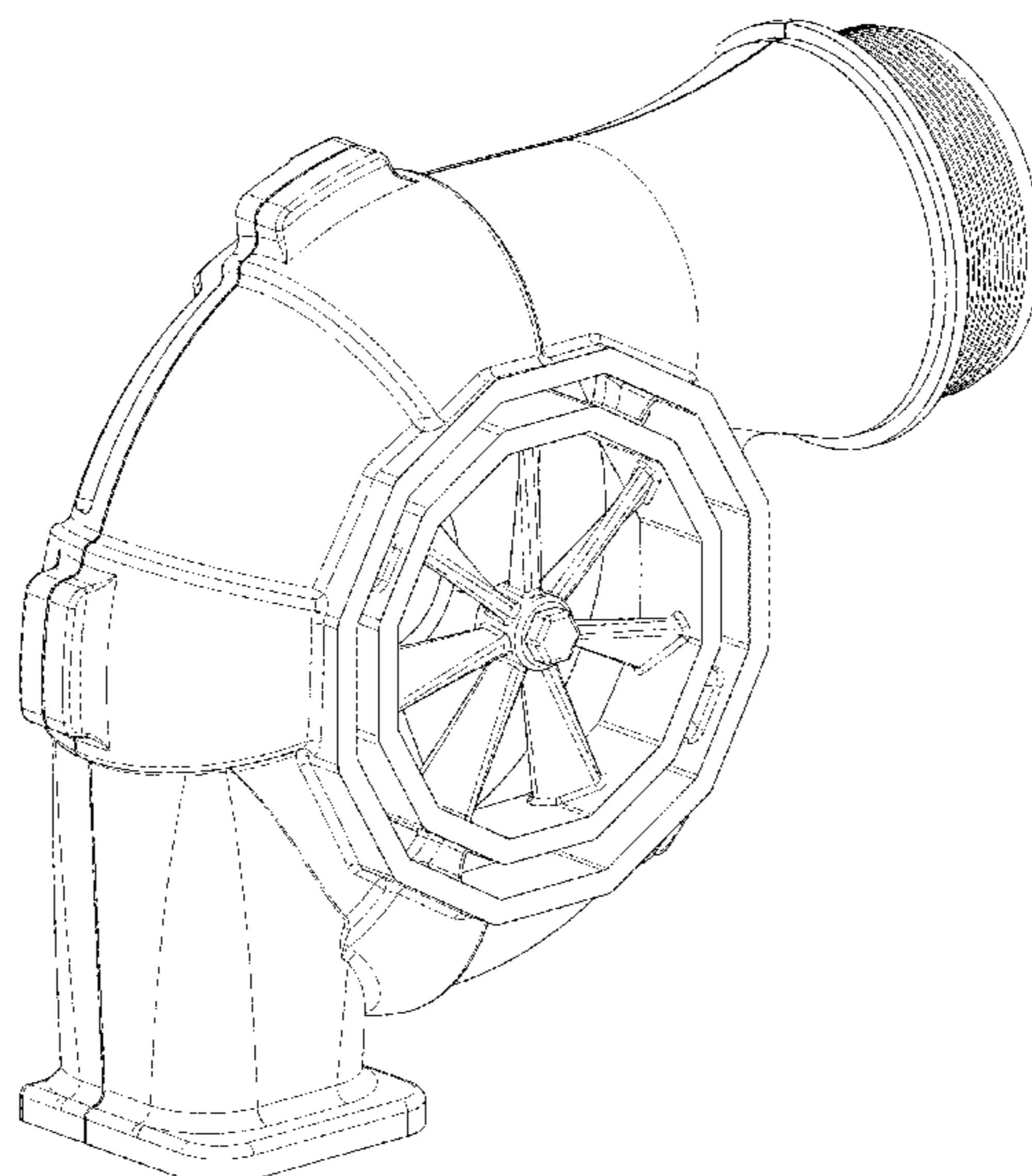
FIG. 1 is a top left front perspective view of the vehicle air freshener.
FIG. 2 is a top right front perspective view of the vehicle air freshener.
FIG. 3 is a top left rear perspective view of the vehicle air freshener.
FIG. 4 is a front elevation view of the vehicle air freshener.
FIG. 5 is a left end view of FIG. 4 of the vehicle air freshener.
FIG. 6 is a right end view of FIG. 4 of the vehicle air freshener.
FIG. 7 is a top plan view of FIG. 4 of the vehicle air freshener.
FIG. 8 is a bottom plan view of FIG. 4 of the vehicle air freshener; and,
FIG. 9 is a rear elevation view of the vehicle air freshener.
The broken lines shown in the figures are for the purpose of illustrating portions of the vehicle air freshener and form no part of the claimed design.

1 Claim, 7 Drawing Sheets

(56) **References Cited**

U.S. PATENT DOCUMENTS

- D722,763 S * 2/2015 Dandachli D3/211
- D740,327 S * 10/2015 Naruoka D15/5
- D751,283 S * 3/2016 Dandachli D3/211
- D751,685 S * 3/2016 Wanezaki D23/386
- D765,966 S * 9/2016 Dandachli D3/211
- D785,926 S * 5/2017 Dandachli D3/211



(56)

References Cited

U.S. PATENT DOCUMENTS

D855,786 S * 8/2019 Dandachli D23/366
D857,186 S * 8/2019 Dandachli D23/366
D906,510 S * 12/2020 Heli D23/370

* cited by examiner

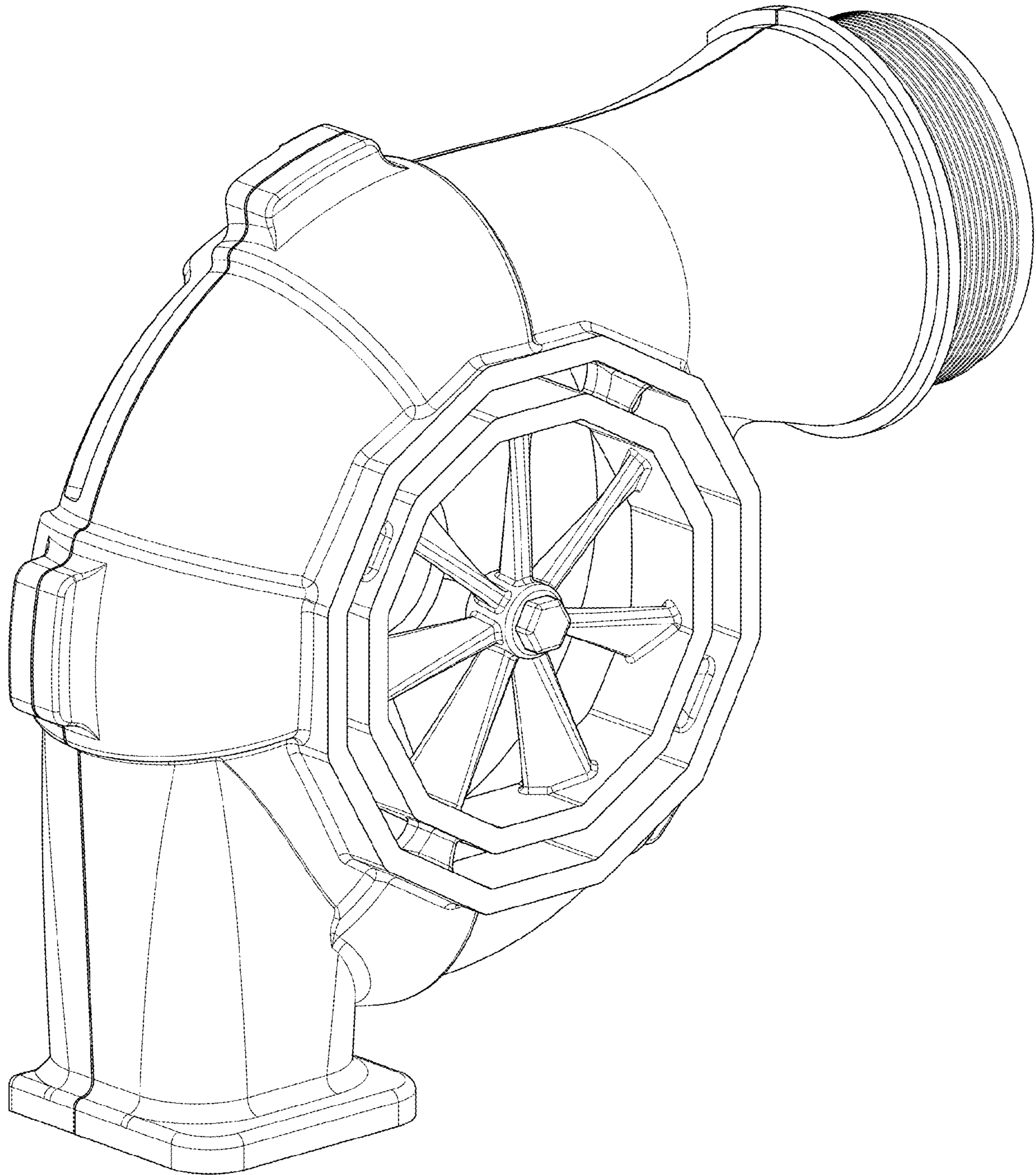


Fig. 1.

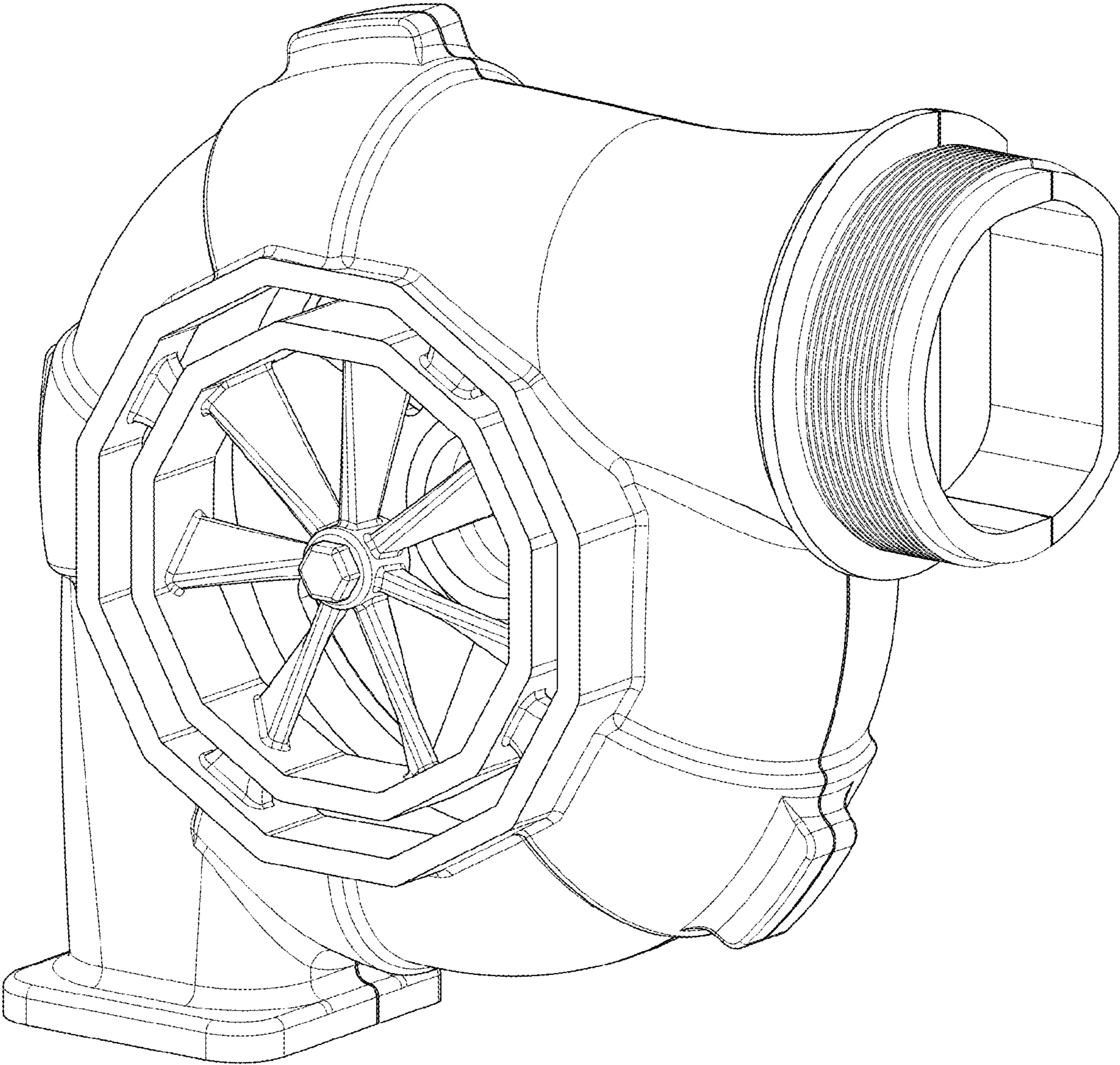


Fig. 2.

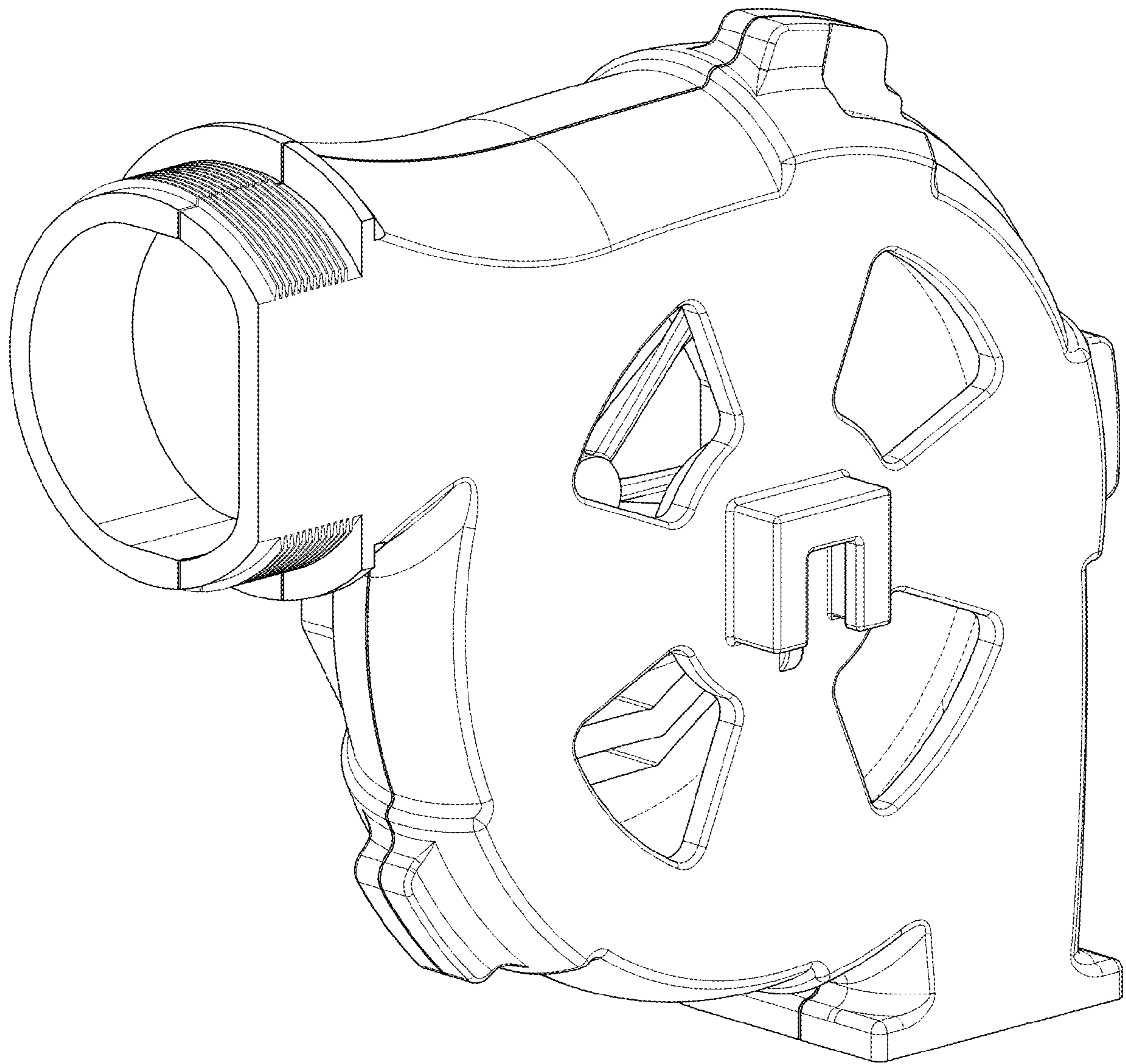


Fig. 3.

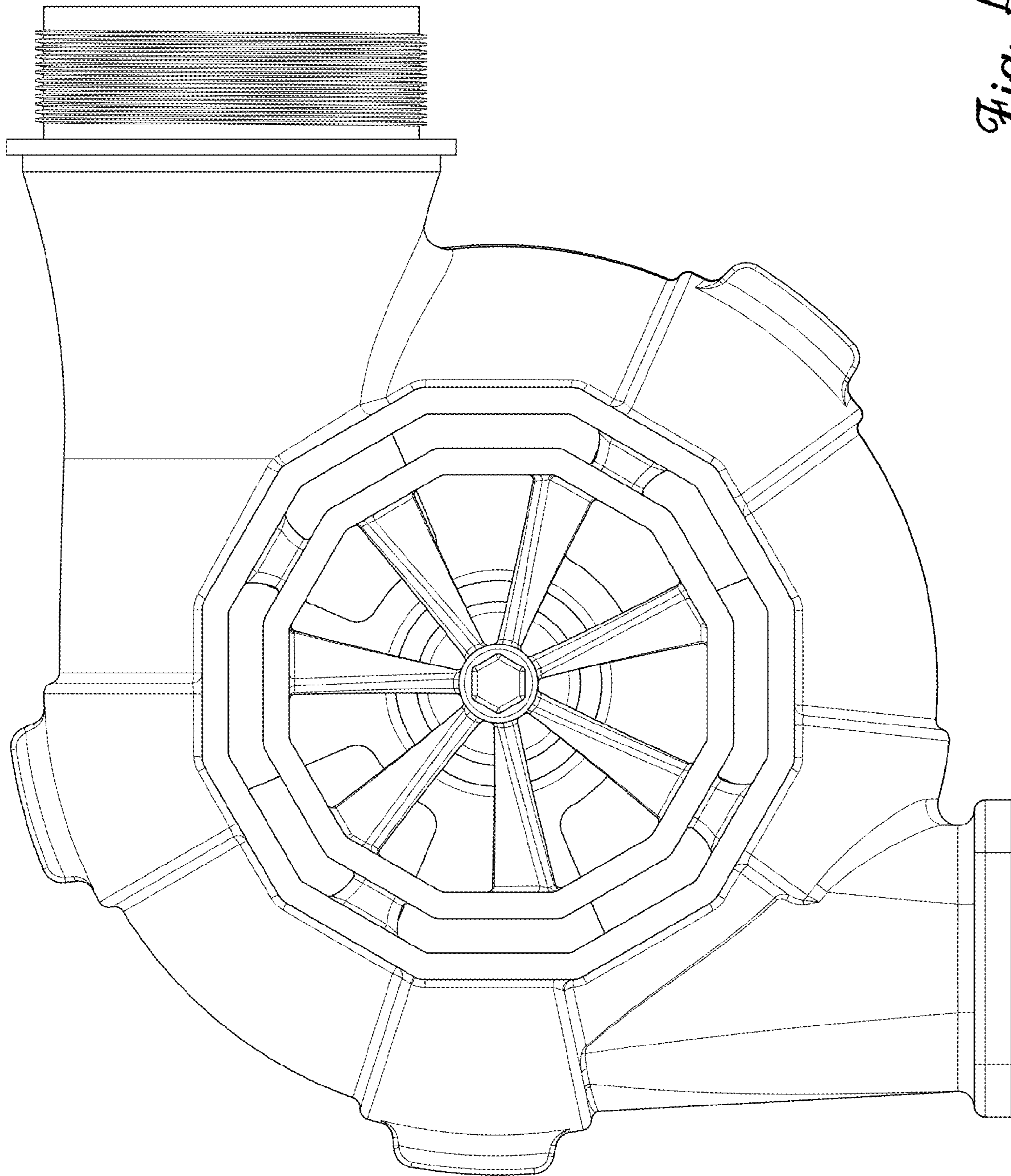


Fig. 4.

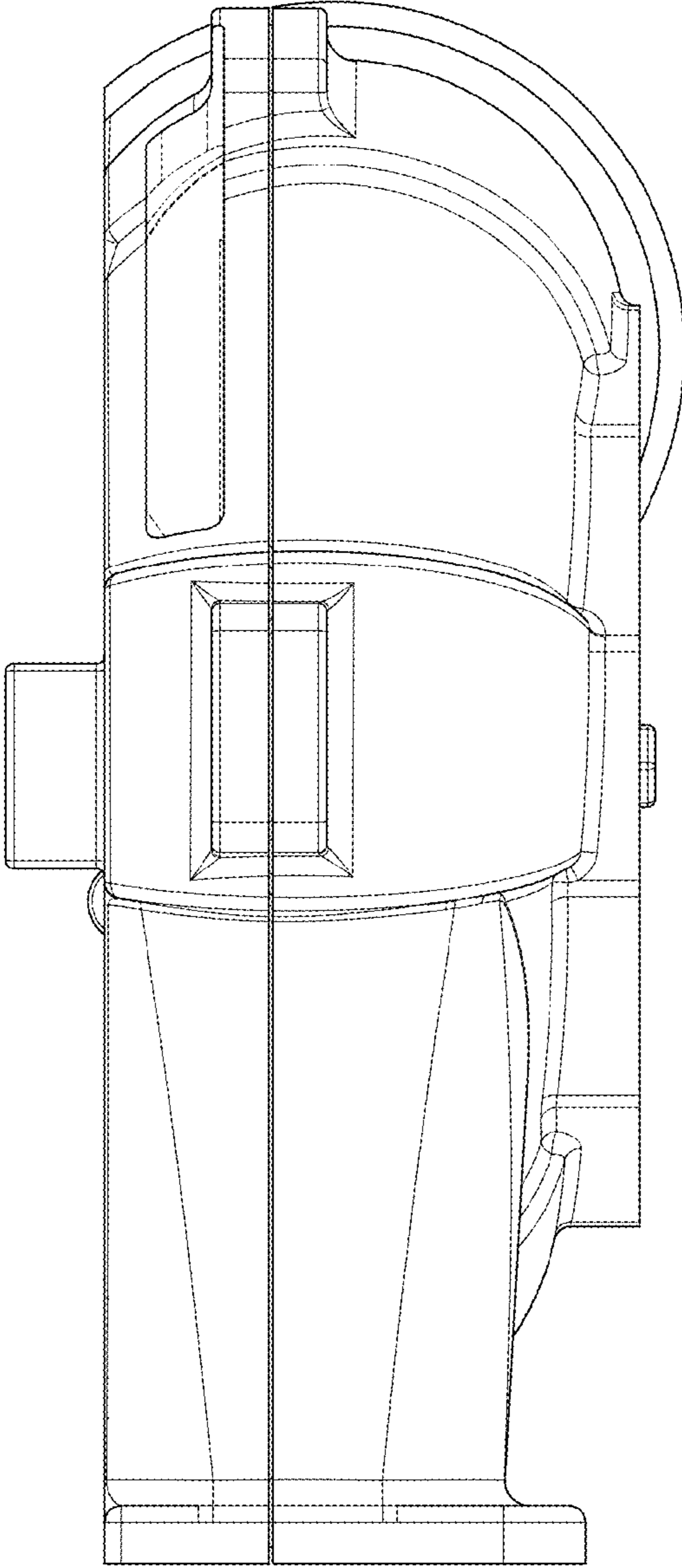


Fig. 5.

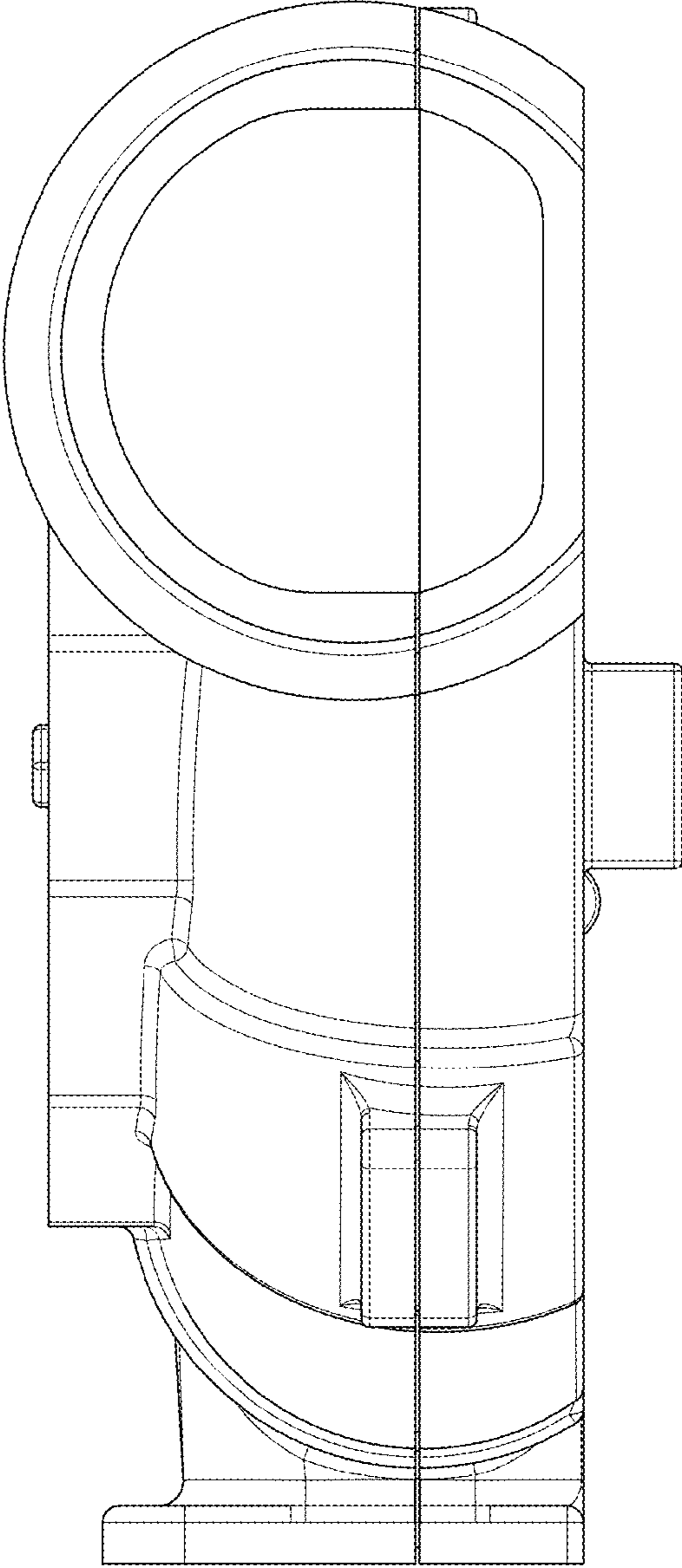


Fig. 6.

Fig. 7.

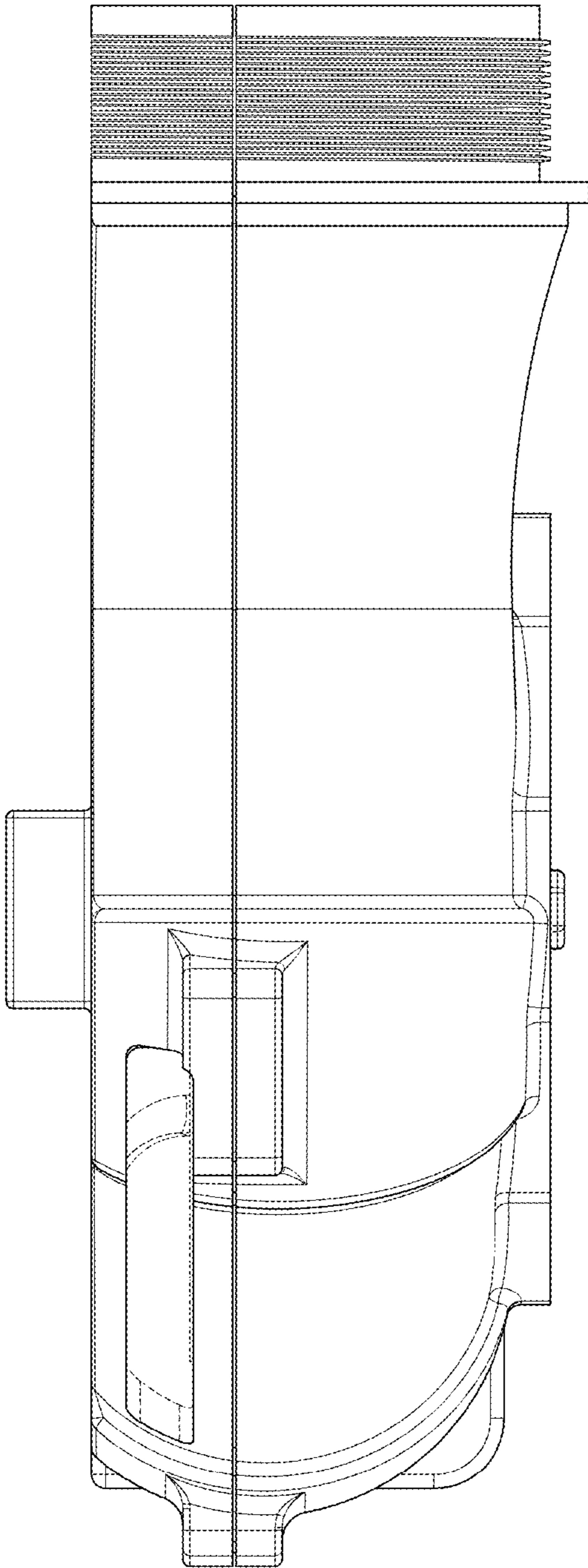
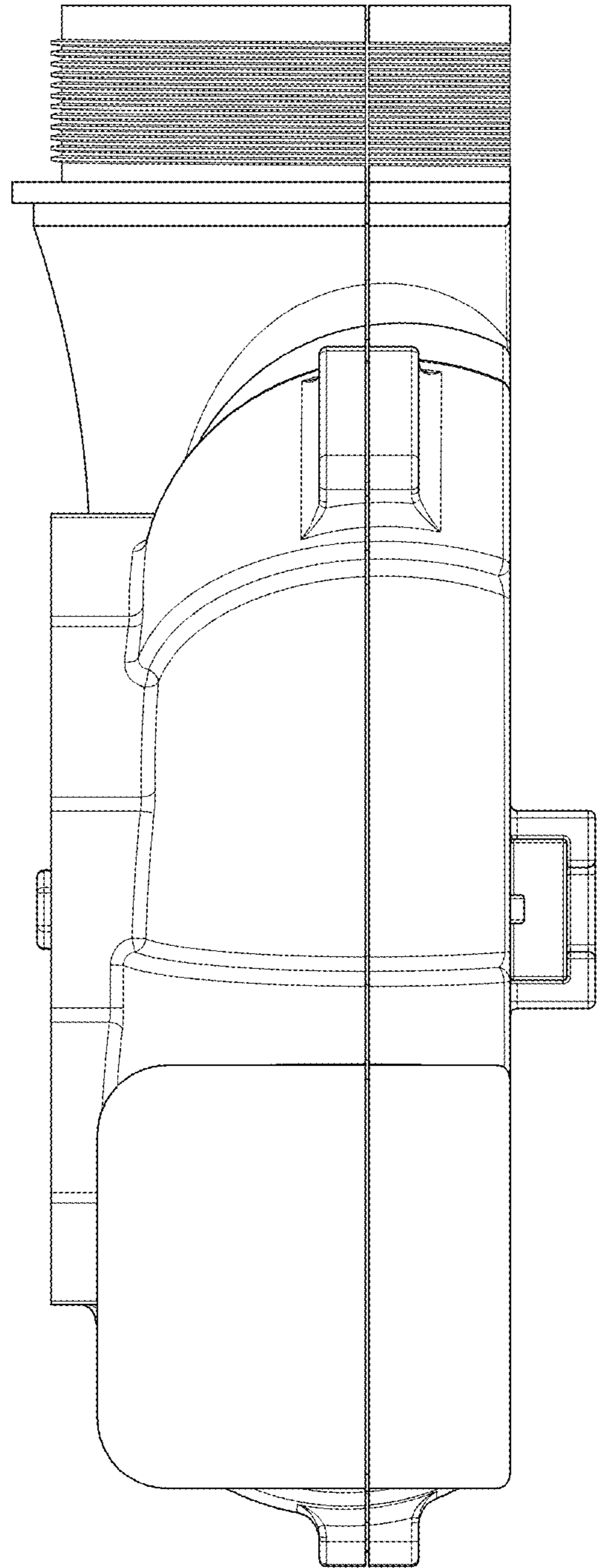


Fig. 8.



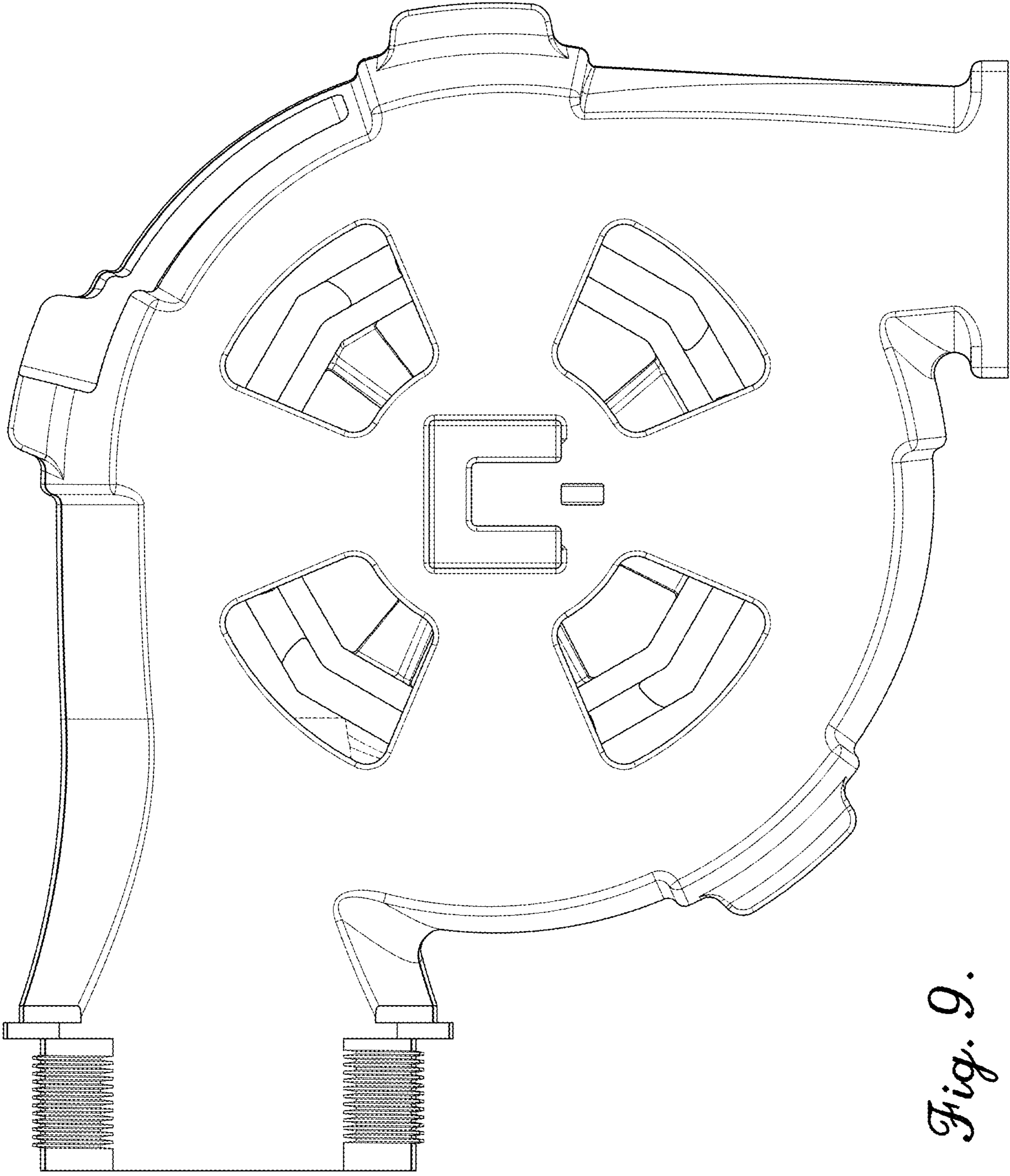


Fig. 9.