



US00D985746S

(12) **United States Design Patent**
Fan et al.

(10) **Patent No.:** **US D985,746 S**
(45) **Date of Patent:** **** May 9, 2023**

(54) **AIR PURIFIER**

(71) Applicant: **SHENZHEN TCL NEW TECHNOLOGY CO., LTD.**, Shenzhen (CN)

(72) Inventors: **Holing Fan**, Shenzhen (CN); **Zhichao Zha**, Shenzhen (CN)

(73) Assignee: **Shenzhen TCL New Technology co., LTD.**, Shenzhen (CN)

(**) Term: **15 Years**

(21) Appl. No.: **29/784,982**

(22) Filed: **May 23, 2021**

(30) **Foreign Application Priority Data**

Dec. 30, 2020 (CN) 202030819494.2

(51) **LOC (14) Cl.** **23-04**

(52) **U.S. Cl.**
USPC **D23/364**

(58) **Field of Classification Search**
USPC D23/314, 332, 333, 335, 336, 355, 356, D23/364, 365, 366, 378
CPC F24F 1/0022; F24F 3/14; F24F 6/06; F24F 8/80; B01D 46/00281; B01D 46/0043; A61L 2209/12; A61L 2209/14
See application file for complete search history.

(56) **References Cited**

U.S. PATENT DOCUMENTS

D690,000 S *	9/2013	Spoerl	D23/378
D692,547 S *	10/2013	Wirz	D23/366
D696,765 S *	12/2013	Spoerl	D23/378
D835,248 S *	12/2018	Echeverri	D23/364
D835,249 S *	12/2018	Echeverri	D23/365
D846,106 S *	4/2019	Hu	D23/366
D855,785 S *	8/2019	Kim	D23/364
D874,623 S *	2/2020	Lupi	D23/333

D890,902 S *	7/2020	Carling	D23/364
D890,903 S *	7/2020	Carling	D23/364
D891,597 S *	7/2020	Carling	D23/364
D903,846 S *	12/2020	MacQueen	D23/364
D907,189 S *	1/2021	Zhang	D23/382
D910,825 S *	2/2021	Jung	D23/364
D923,774 S *	6/2021	Kim	D23/382
D959,631 S *	8/2022	Ao	D23/364

(Continued)

FOREIGN PATENT DOCUMENTS

CN	202030822724.0	*	6/2021
CN	202130250130.1	*	9/2021

(Continued)

OTHER PUBLICATIONS

DH Lifelabs Sciaire Portable Air Purifier. Amazon Standard ID# (ASIN) B0BHC9NQQ2. Catalogue [Online]. Amazon.com 2022. [Date first Available Oct. 4, 2022][Retrieved on Oct. 10, 2022]. Retrieved from the Internet: <URL: https://a.co/d/5LIVArW> (Year: 2022).*

Primary Examiner — Janice Hallmark
Assistant Examiner — Adedoyin Taiwo Odeyale

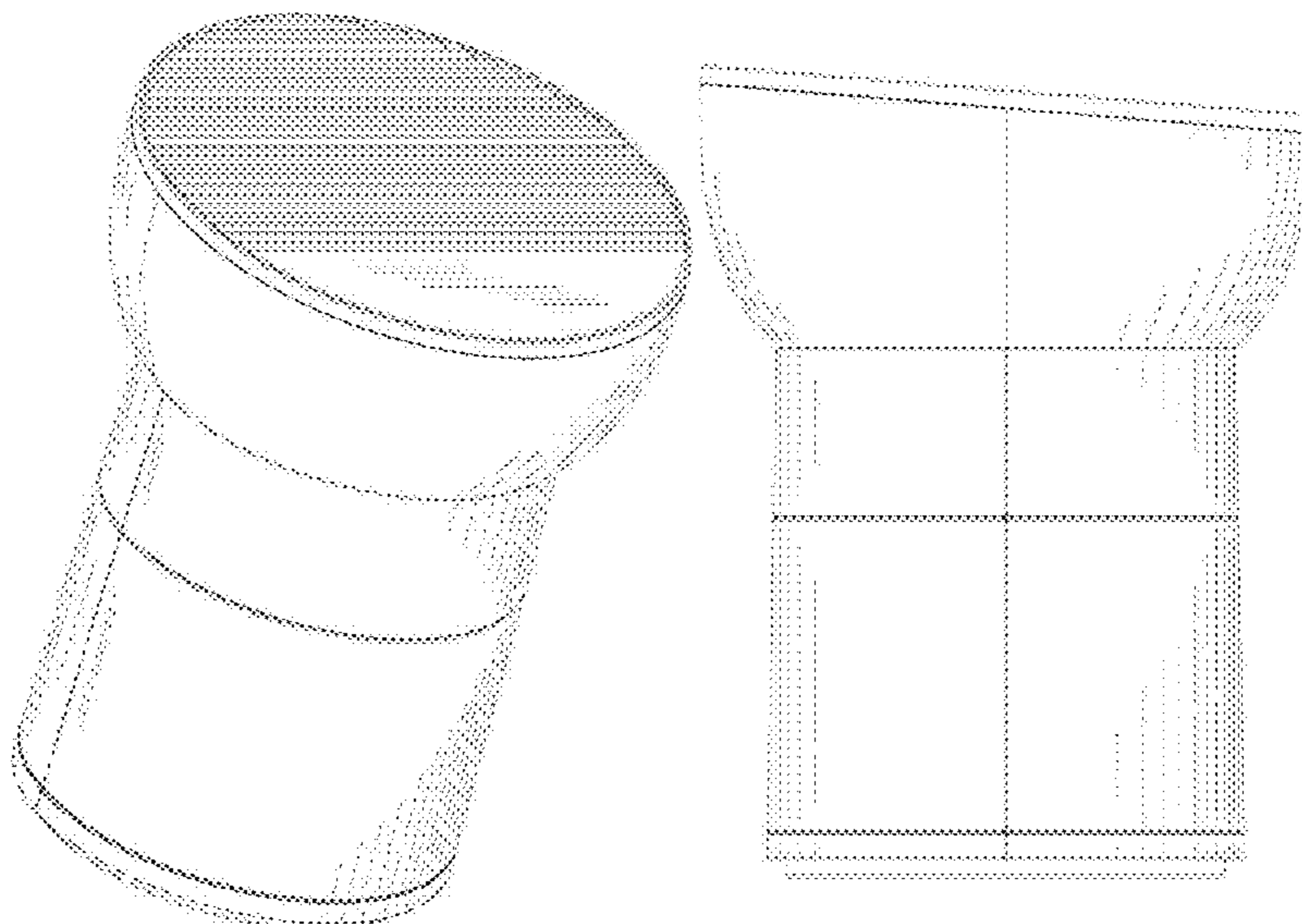
(57) **CLAIM**

The ornamental design for an air purifier, as shown and described.

DESCRIPTION

FIG. 1 is a perspective view of an air purifier, showing our new design;
FIG. 2 is a front view of FIG. 1;
FIG. 3 is a rear view of FIG. 1;
FIG. 4 is a left side view of FIG. 1;
FIG. 5 is a right side view of FIG. 1;
FIG. 6 is a top plan view of FIG. 1; and,
FIG. 7 is a bottom plan view of FIG. 1.

1 Claim, 7 Drawing Sheets



(56)

References Cited

U.S. PATENT DOCUMENTS

D965,758 S * 10/2022 Han D23/364
2016/0114069 A1* 4/2016 Huynh A01M 1/2072
261/142

FOREIGN PATENT DOCUMENTS

CN 202130250868.8 * 9/2021
CN 202230226759.7 * 10/2022

* cited by examiner

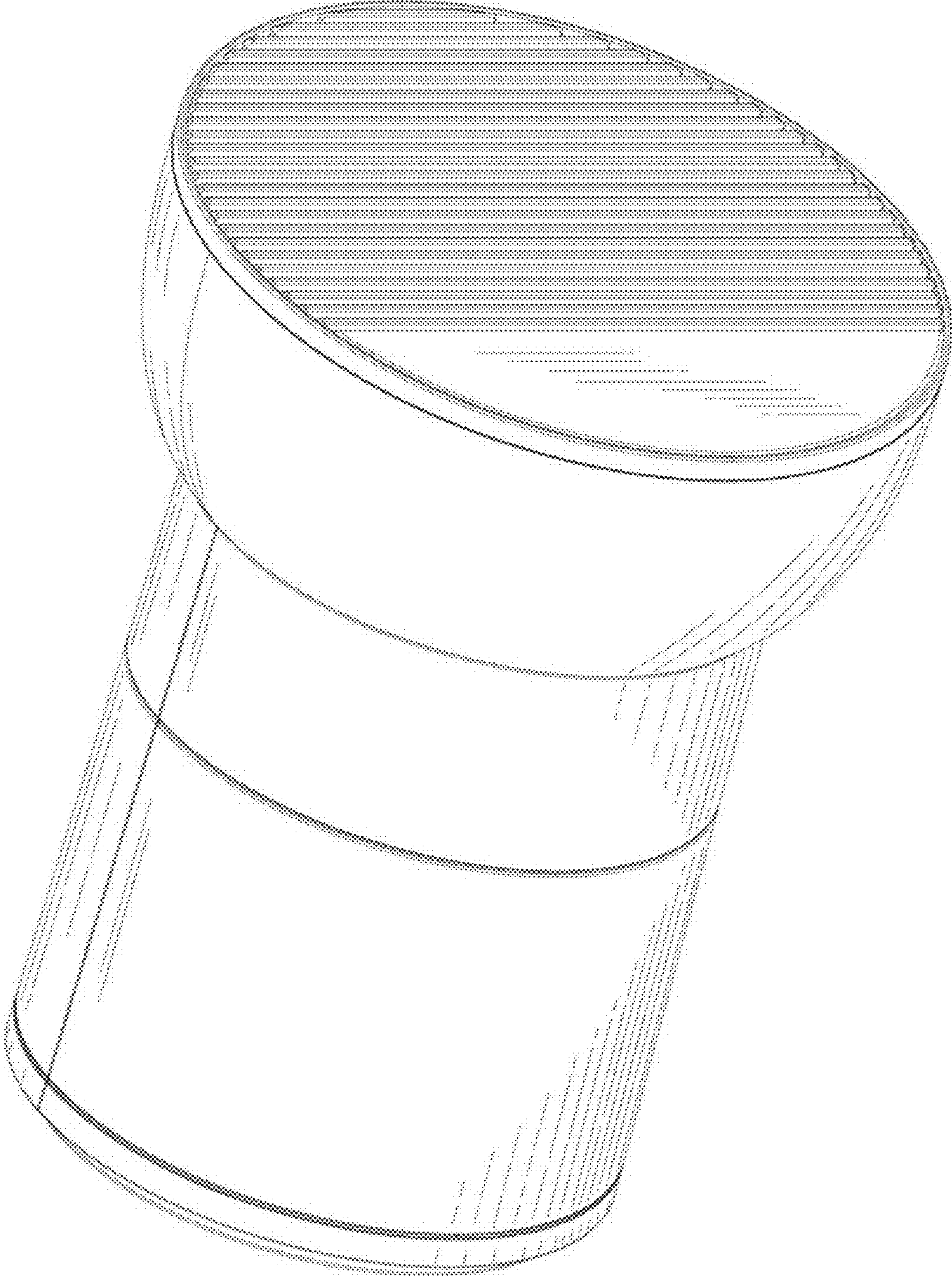


FIG. 1

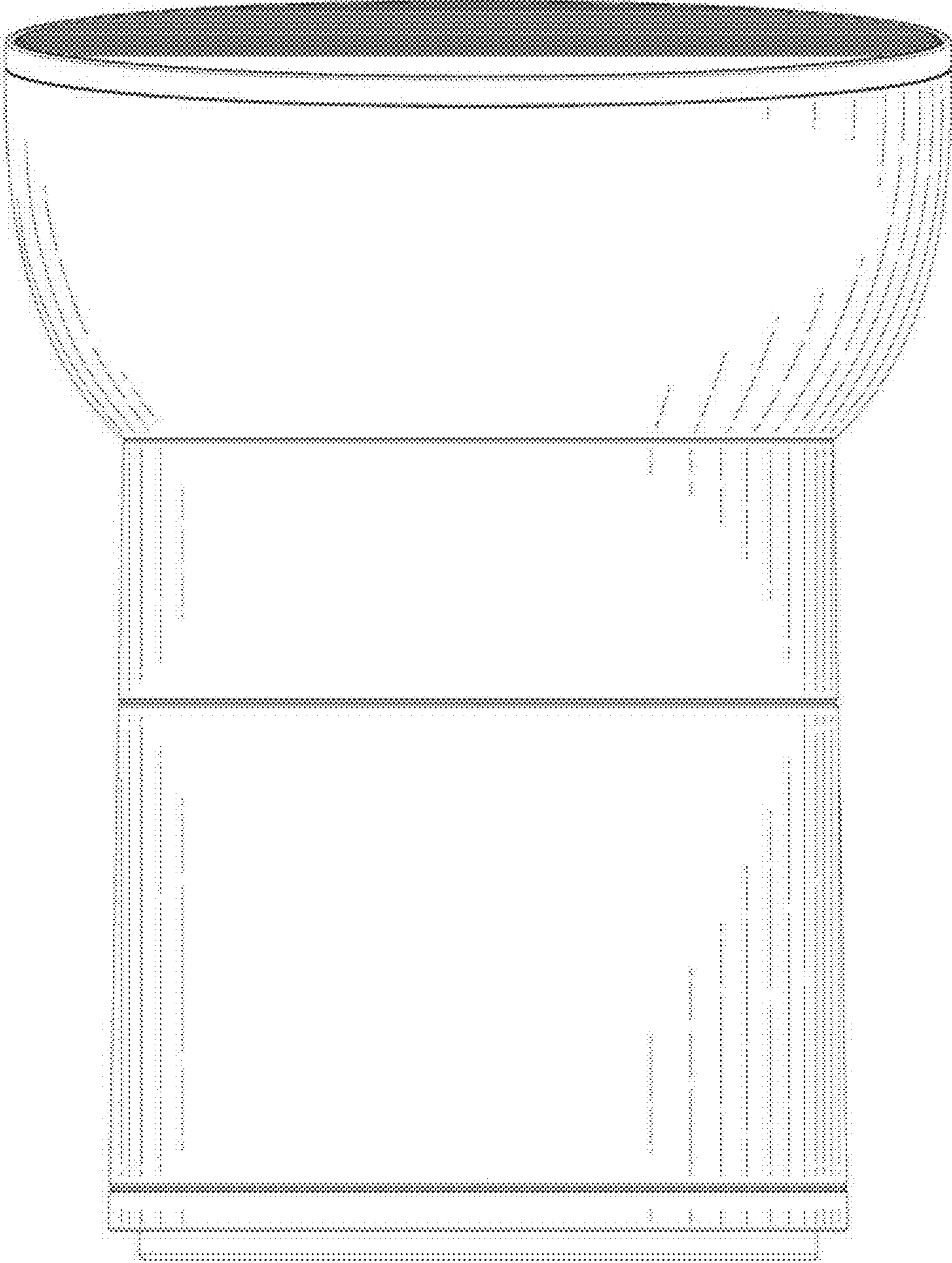


FIG. 2

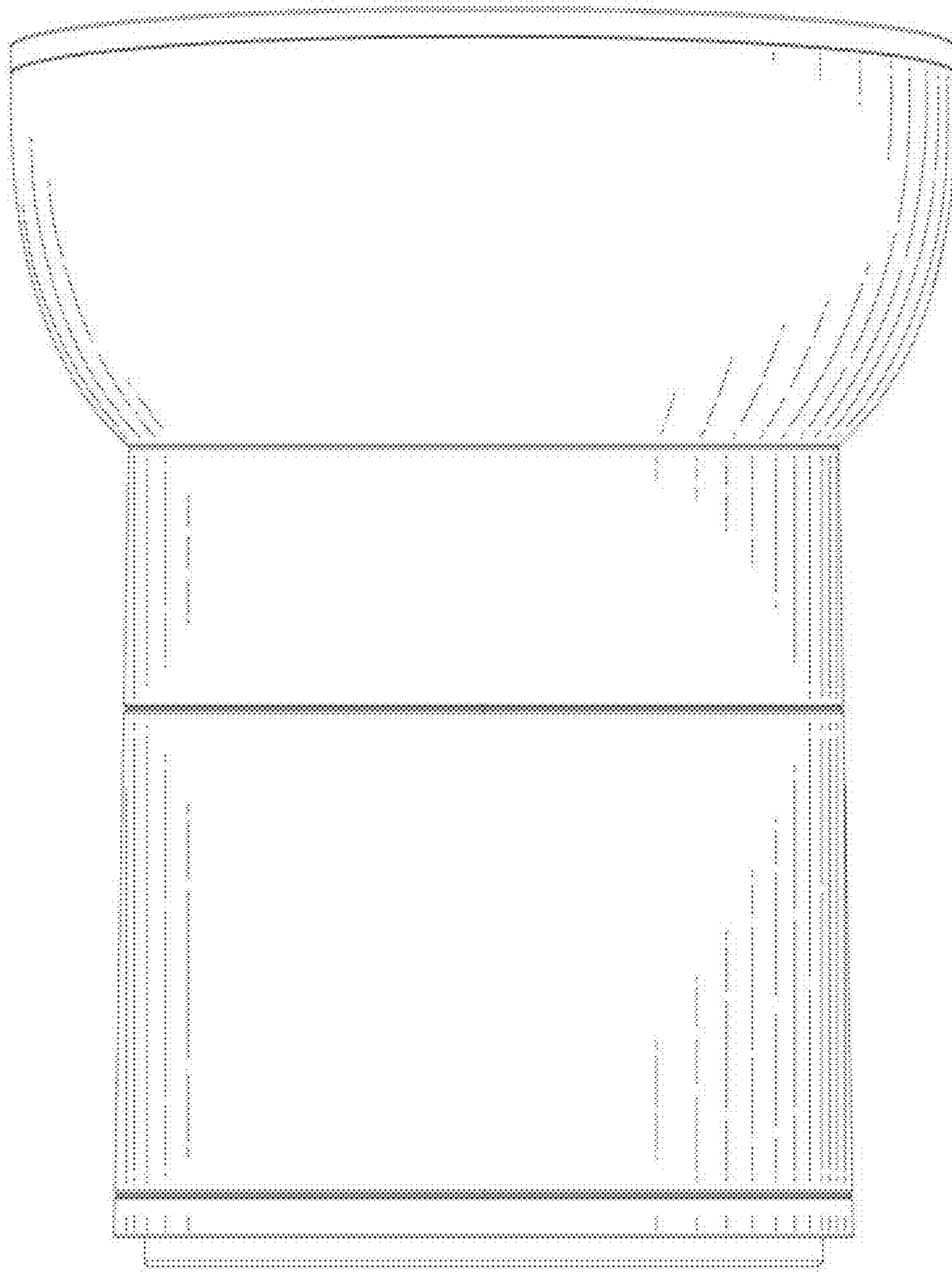


FIG. 3

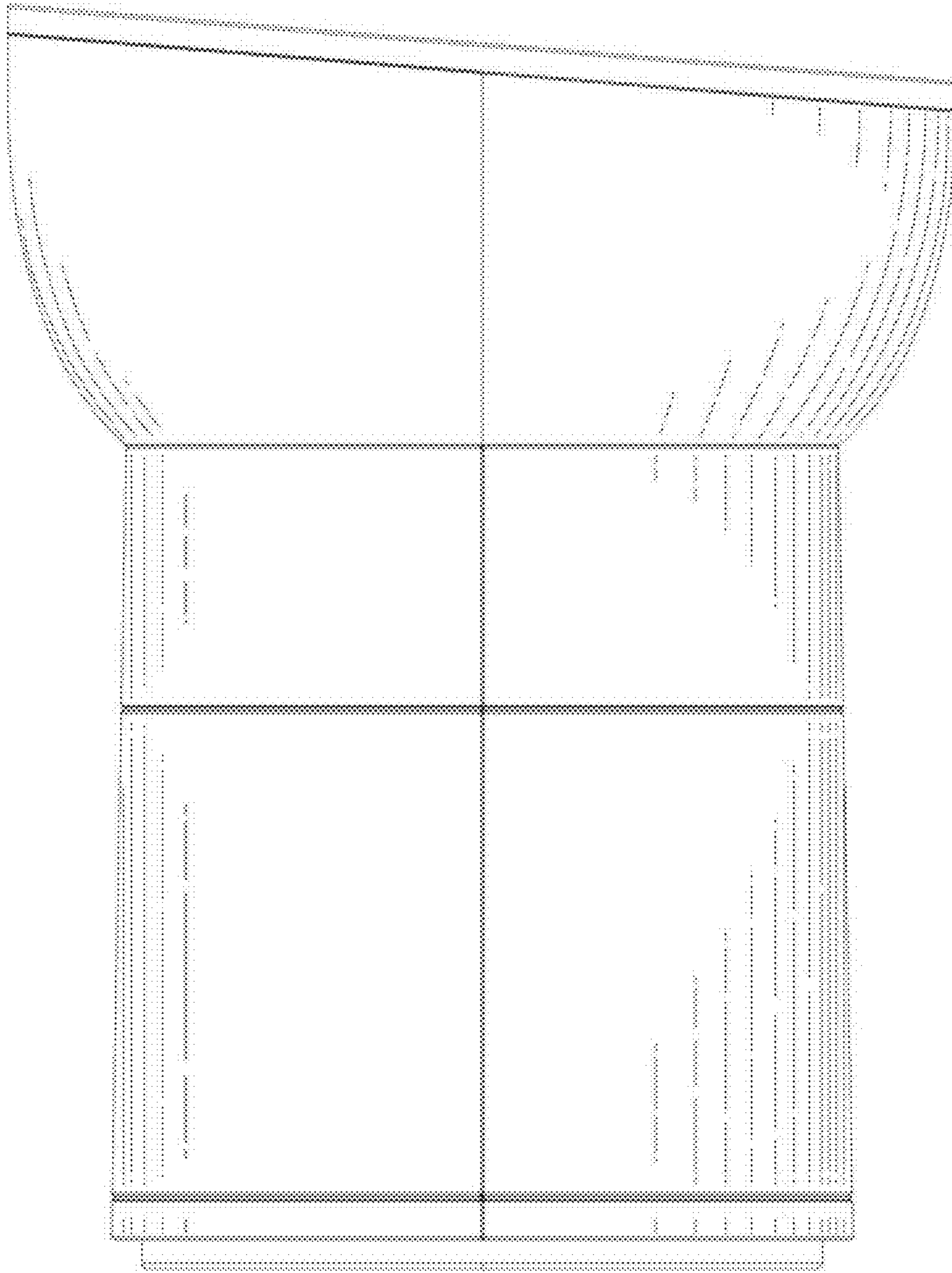


FIG. 4

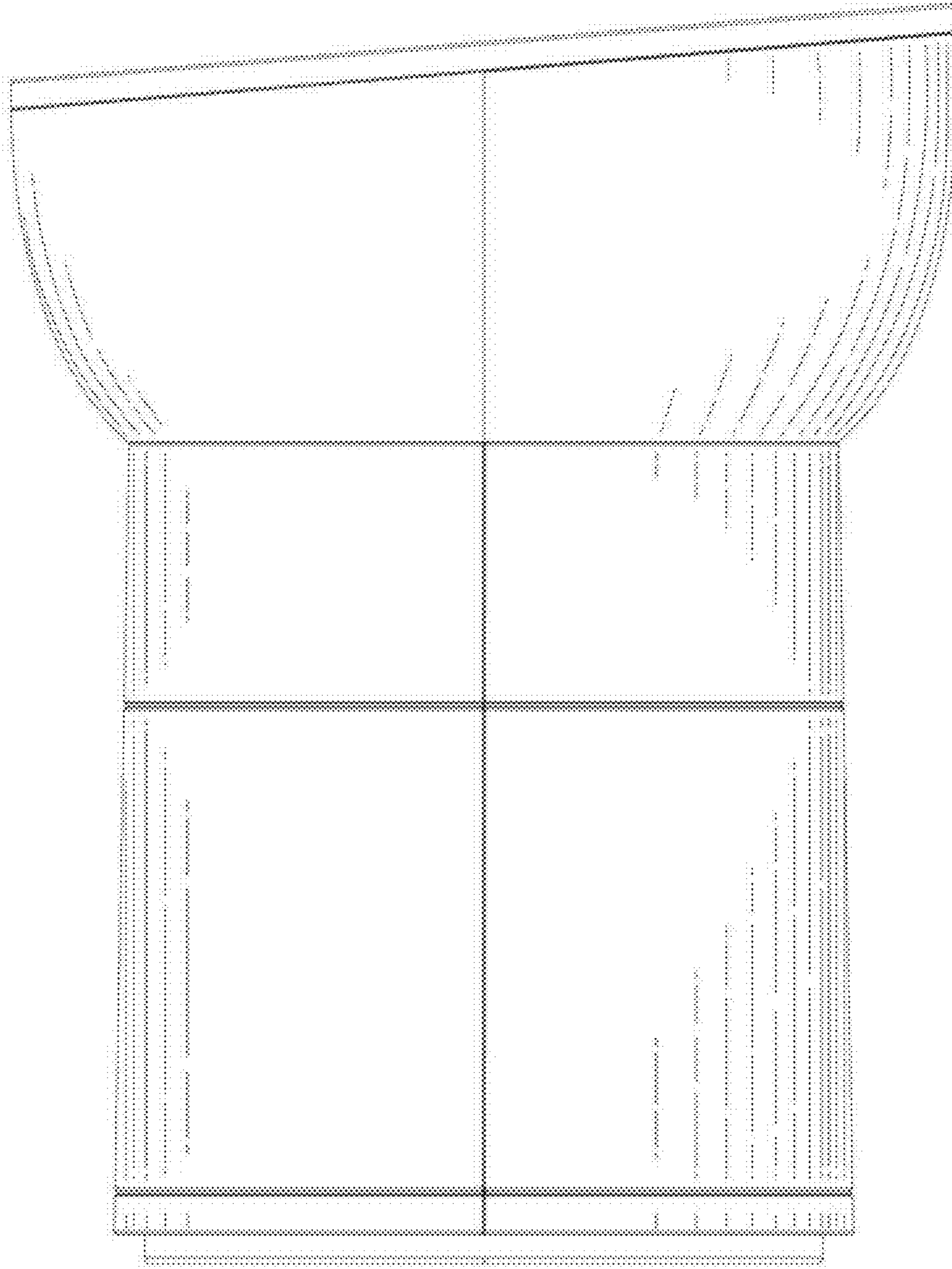


FIG. 5

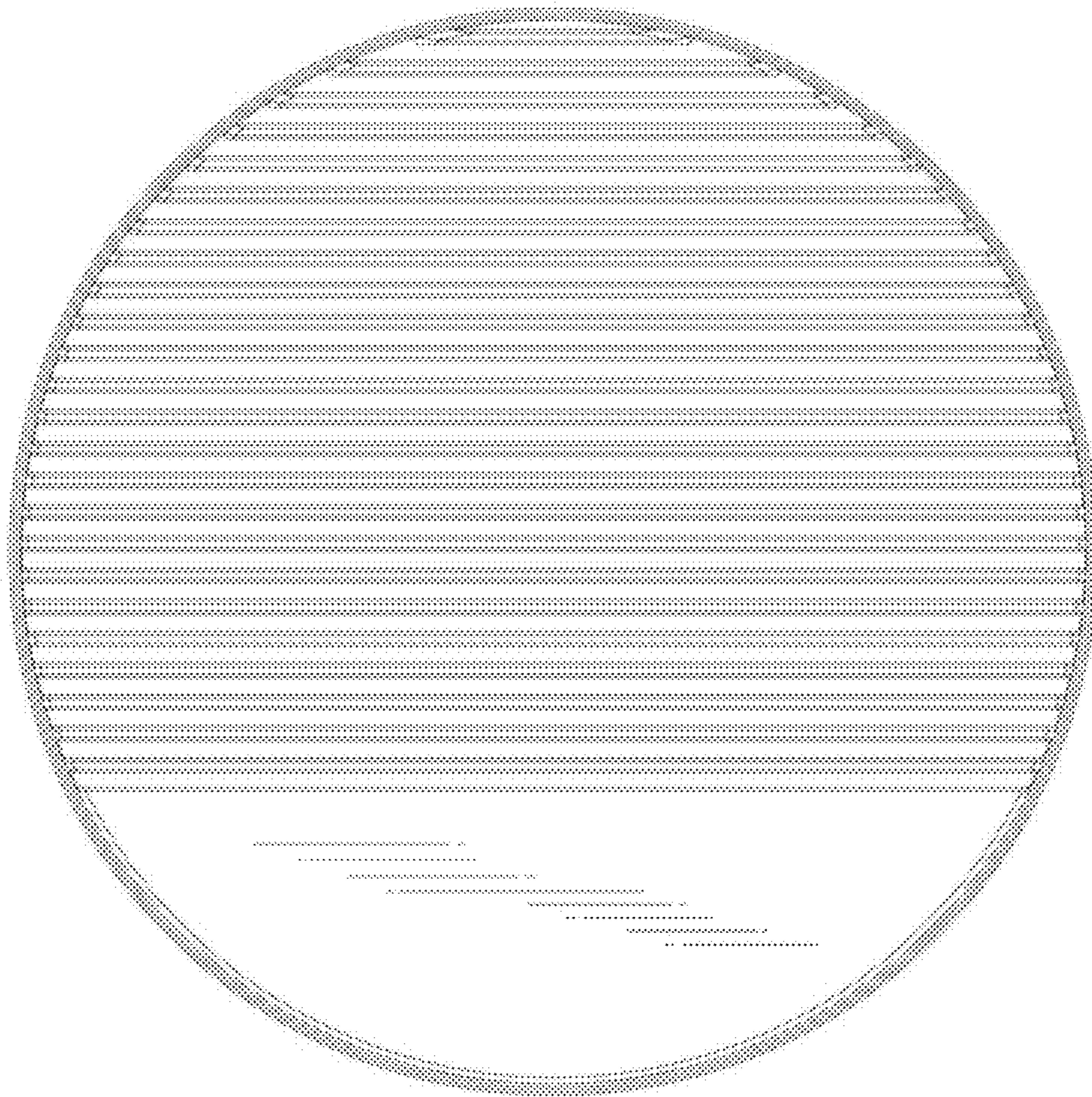


FIG. 6

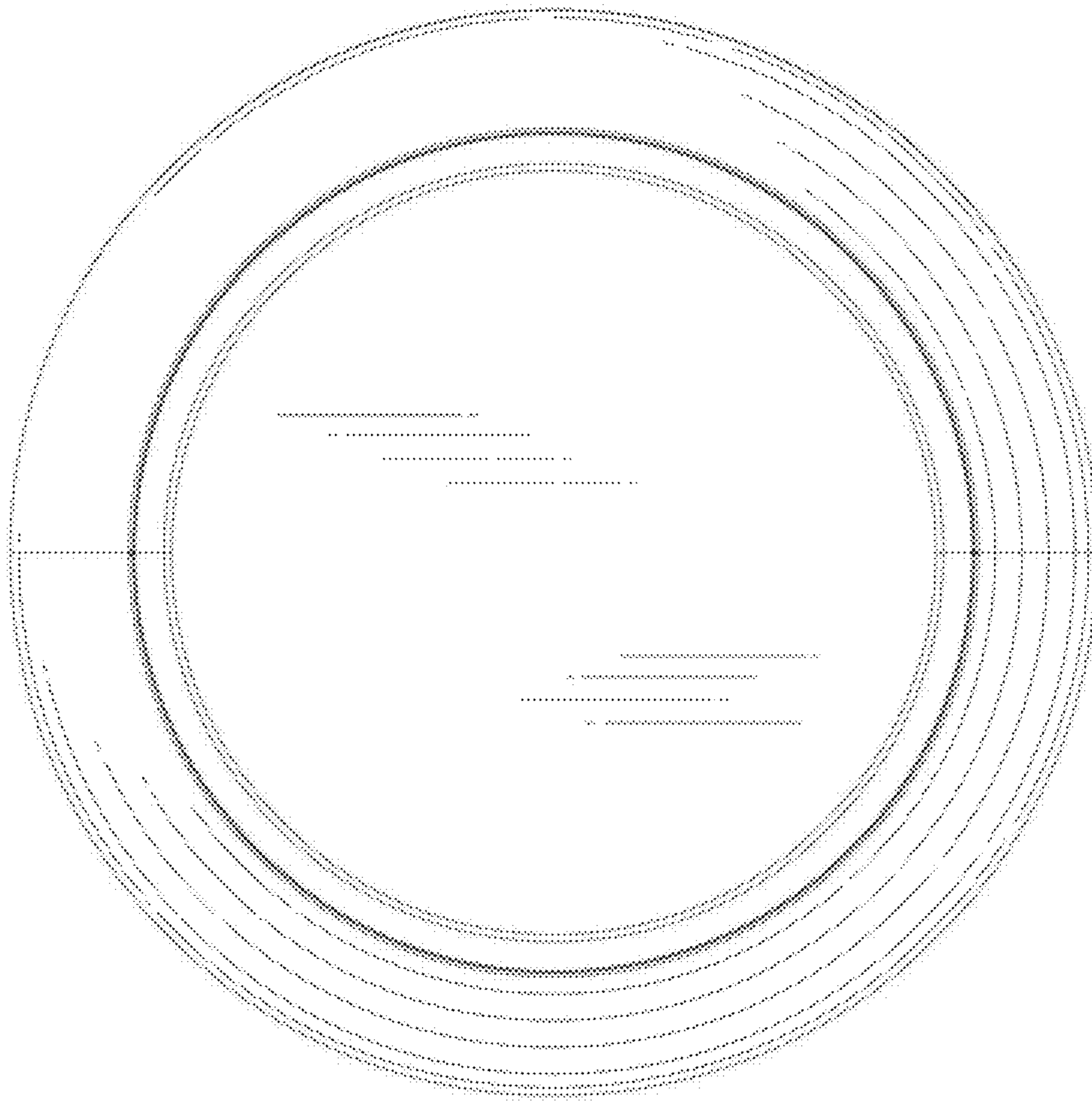


FIG. 7