



US00D985745S

(12) **United States Design Patent**
Chen

(10) **Patent No.:** **US D985,745 S**

(45) **Date of Patent:** **** May 9, 2023**

(54) **INFLATABLE PAINT BOOTH AIR DRAFT
DEVICE**

D663,828 S * 7/2012 Portillo D23/371
D674,474 S * 1/2013 Rentschler D23/371
D675,719 S * 2/2013 Eicher D23/393
D699,831 S * 2/2014 Funnell, II D23/371

(Continued)

(71) Applicant: **Shushu Chen**, Guangdong (CN)

(72) Inventor: **Shushu Chen**, Guangdong (CN)

(**) Term: **15 Years**

(21) Appl. No.: **29/869,689**

(22) Filed: **Jan. 6, 2023**

(51) **LOC (14) Cl.** **23-04**

(52) **U.S. Cl.**

USPC **D23/371**; D25/35; D23/355

(58) **Field of Classification Search**

USPC D23/332, 341, 355–370, 386, 411–412,
D23/388, 352, 391, 333, 335–336, 342,
D23/351, 371–374, 376; D25/16, 55–58,
D25/68, 107–108, 126, 133–134, 156, 35,
D25/39, 47.1–47.8, 60

CPC .. A61L 9/16; A61L 9/22; B01D 47/00; B01D
47/027; B01D 2259/4508; B03C 3/15;
B03C 3/368

See application file for complete search history.

(56) **References Cited**

U.S. PATENT DOCUMENTS

D274,004 S * 5/1984 Argentina A01K 1/0107
D25/60
D323,707 S * 2/1992 Fay D23/371
D325,078 S * 3/1992 Fay D23/371
5,122,168 A * 6/1992 Torres B01D 47/027
96/408
D349,163 S * 7/1994 Rasmussen B01D 46/12
D25/16
D356,253 S * 3/1995 Bacchetti B01D 47/027
D9/418
D373,429 S * 9/1996 Sauve D25/118
D387,859 S * 12/1997 Ukai D23/385
D566,256 S * 4/2008 Abate D23/364
D581,505 S * 11/2008 North D23/358
D659,232 S * 5/2012 Funnell, II D23/371

OTHER PUBLICATIONS

TKLoop Inflatable spray booth inflatable spray booth exhaust
ventilation device Mar. 24, 2021 found on Feb. 21, 2023 at:
[https://www.amazon.com/TKLoop-Inflatable-Exhaust-Device-Indoor/
dp/B08ZXTJ88Z/](https://www.amazon.com/TKLoop-Inflatable-Exhaust-Device-Indoor/dp/B08ZXTJ88Z/) (Year: 2021).*

(Continued)

Primary Examiner — Jennifer Rivard

Assistant Examiner — Jonathan E Fiencke

(57) **CLAIM**

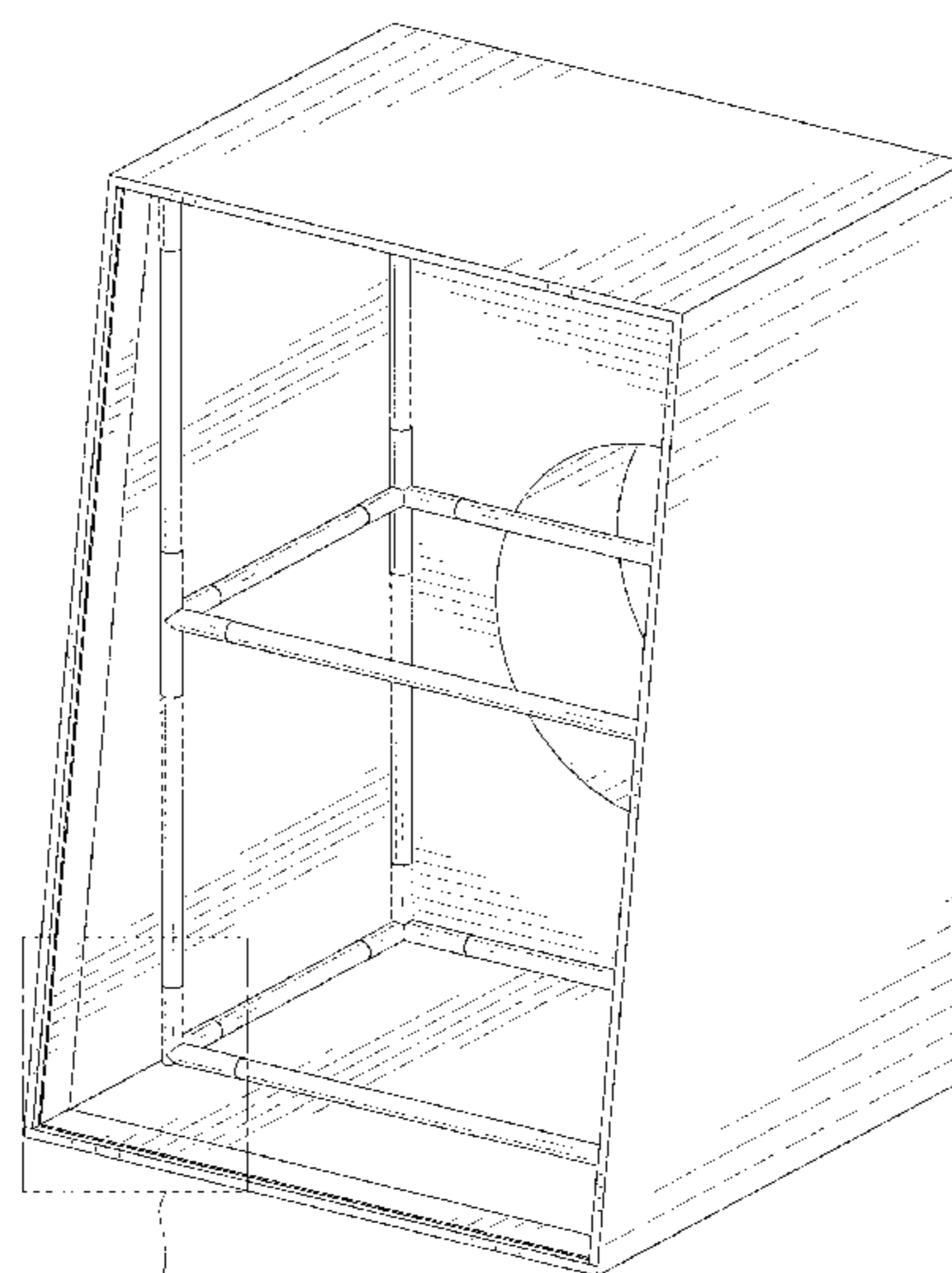
The ornamental design for an inflatable paint booth air draft
device, as shown and described.

DESCRIPTION

FIG. 1 is a front and top perspective view of an inflatable
paint booth air draft device, showing my new design;
FIG. 2 is a front and bottom perspective view thereof;
FIG. 3 is a rear and bottom perspective view thereof;
FIG. 4 is a front elevation view thereof;
FIG. 5 is a rear elevation view thereof;
FIG. 6 is a left side elevation view thereof;
FIG. 7 is a right side elevation view thereof;
FIG. 8 is a top plan view thereof;
FIG. 9 is a bottom plan view thereof; and,
FIG. 10 is an enlarged perspective view of detail “10”
identified in FIG. 1.

The dashed lines in the figures illustrate portions of the
inflatable paint booth air draft device that form no part of the
claimed design. The dash dot dash lines in FIGS. 1 and 10
are for the purpose of illustrating the enlarged view indica-
tors and fount no part of the claimed design.

1 Claim, 10 Drawing Sheets



(56)

References Cited

U.S. PATENT DOCUMENTS

D857,872 S * 8/2019 Shimada D23/385
D936,247 S * 11/2021 Styrc D23/385
D937,441 S * 11/2021 Noe D23/385
D956,194 S 6/2022 Yu
2005/0115509 A1 * 6/2005 Rudolph A01K 1/0107
119/165
2020/0275813 A1 * 9/2020 Taylor A47L 9/102
D23/393
2022/0072461 A1 * 3/2022 Klaiber B01D 46/12
D23/371

OTHER PUBLICATIONS

Shushu Chen and Inflatable Paint Booth Air Draft Device <https://www.amazon.com/dp/B0B3WZLJGY/>.

* cited by examiner

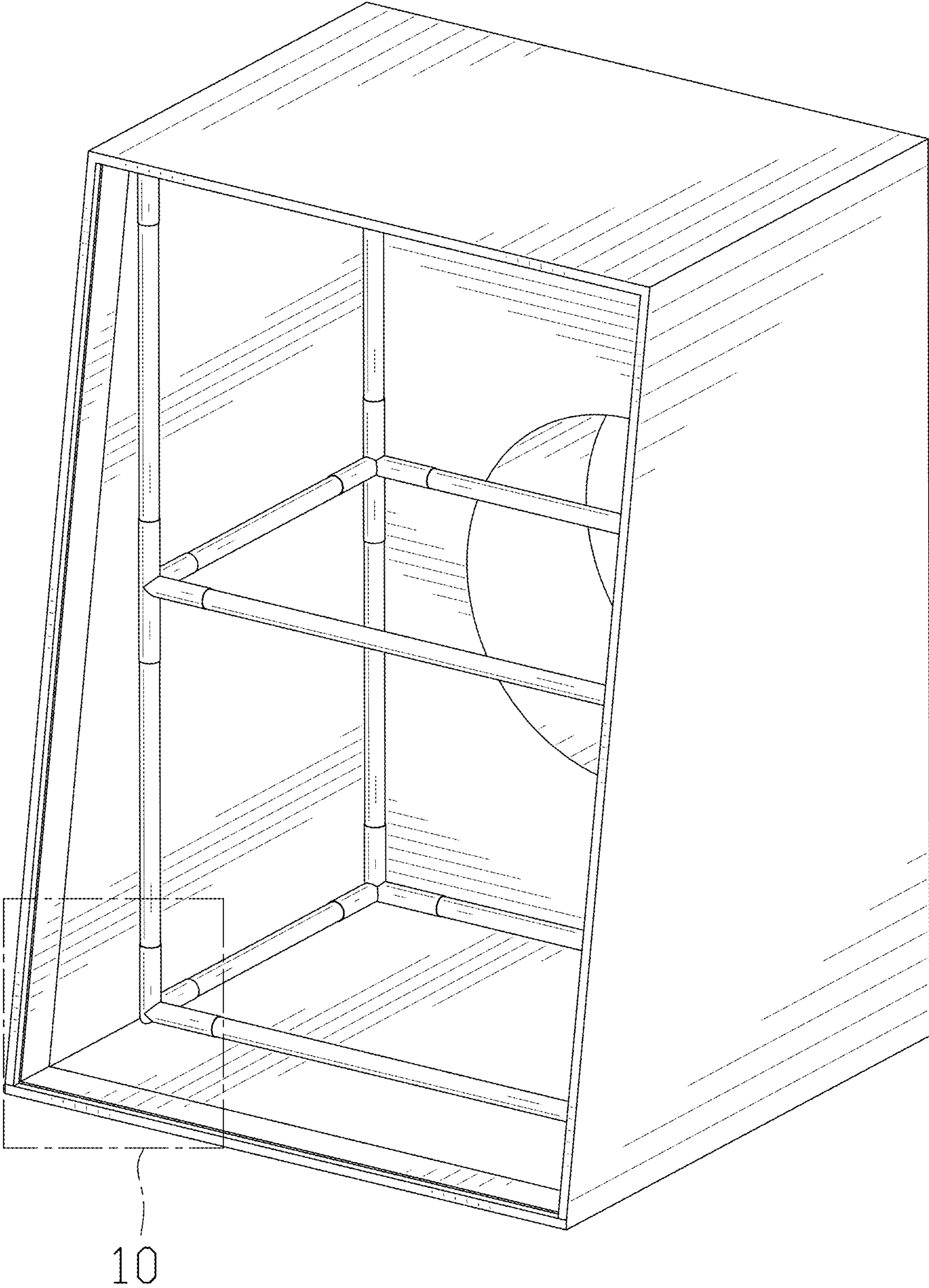


FIG. 1

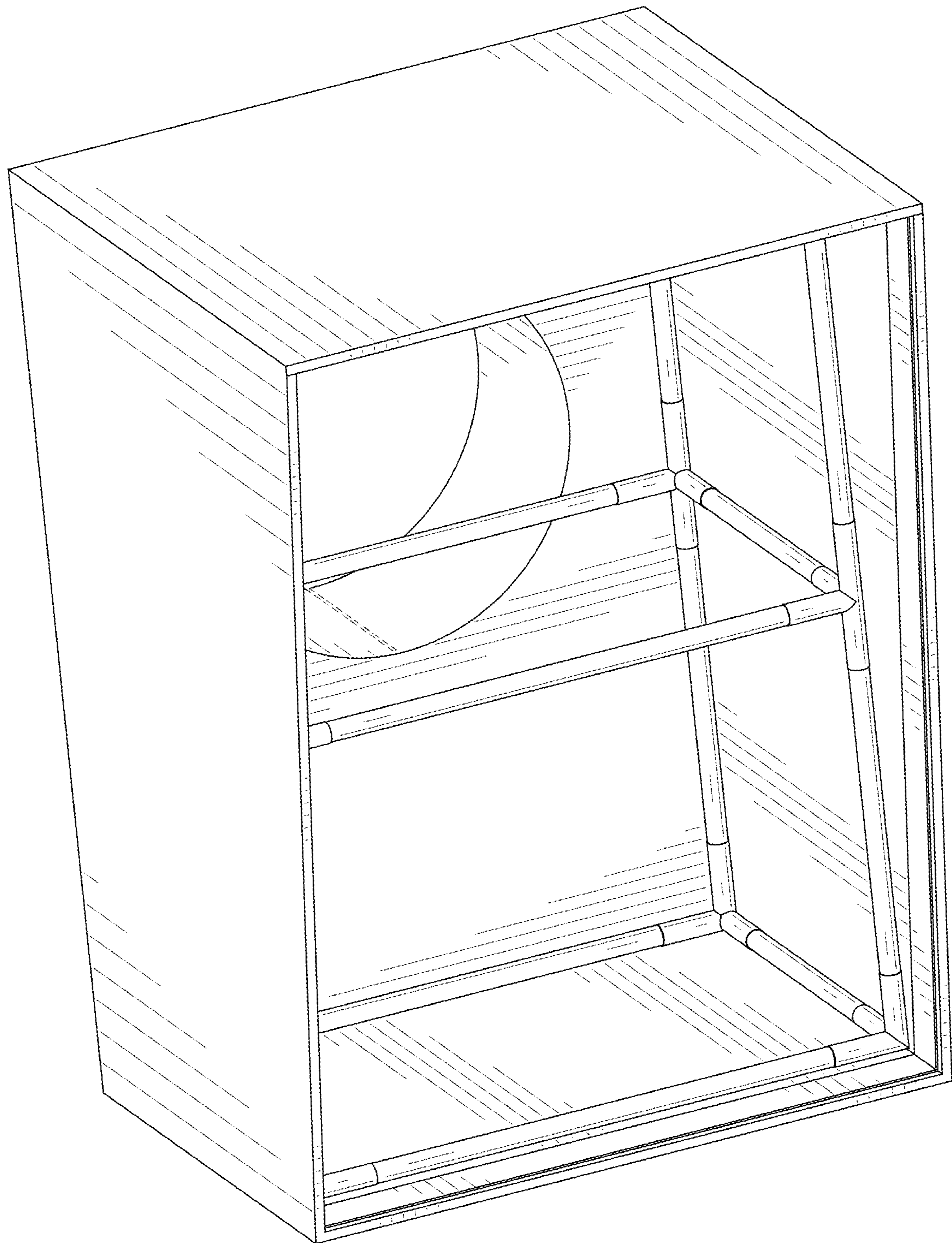


FIG. 2

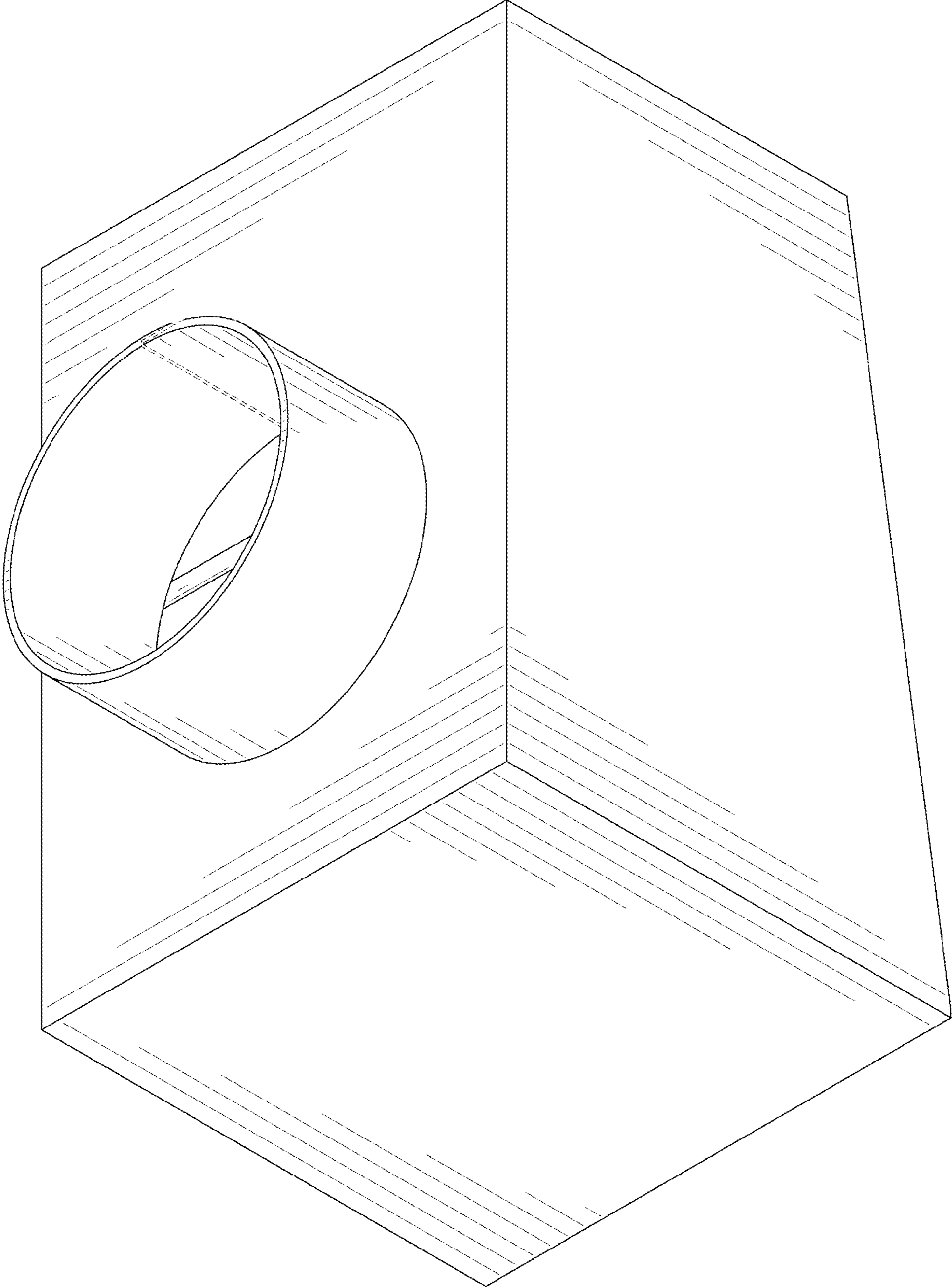


FIG. 3

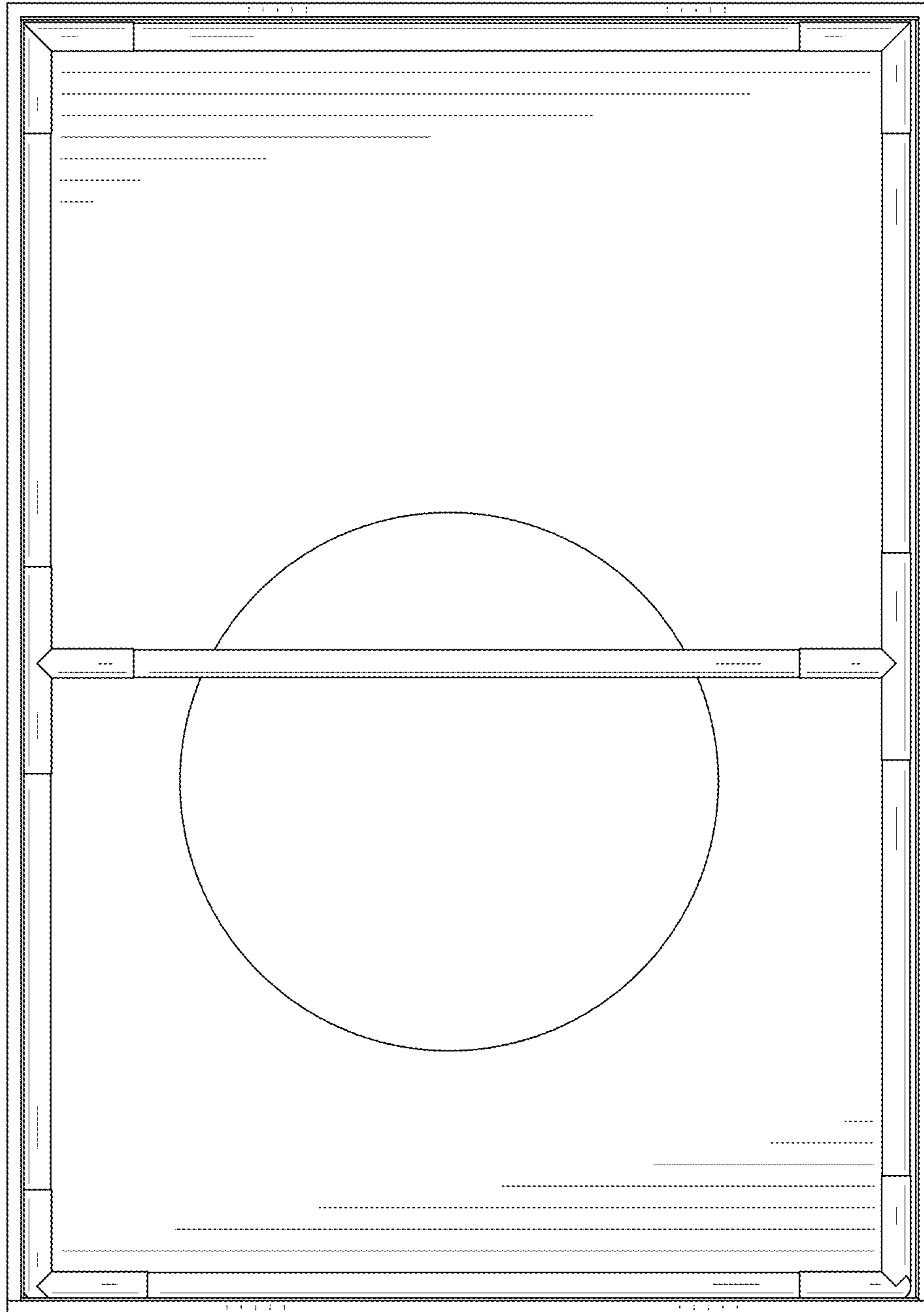


FIG. 4

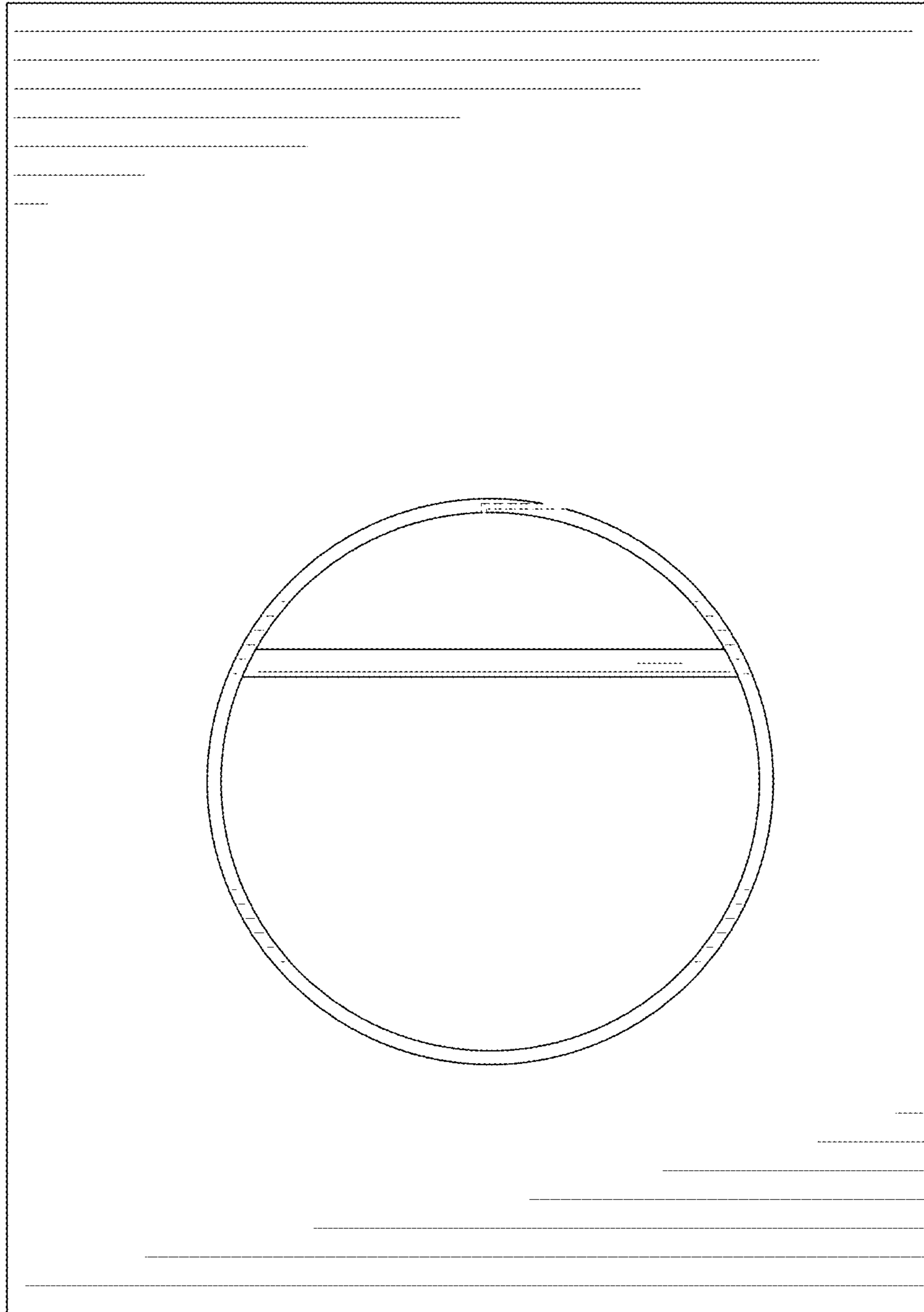


FIG. 5

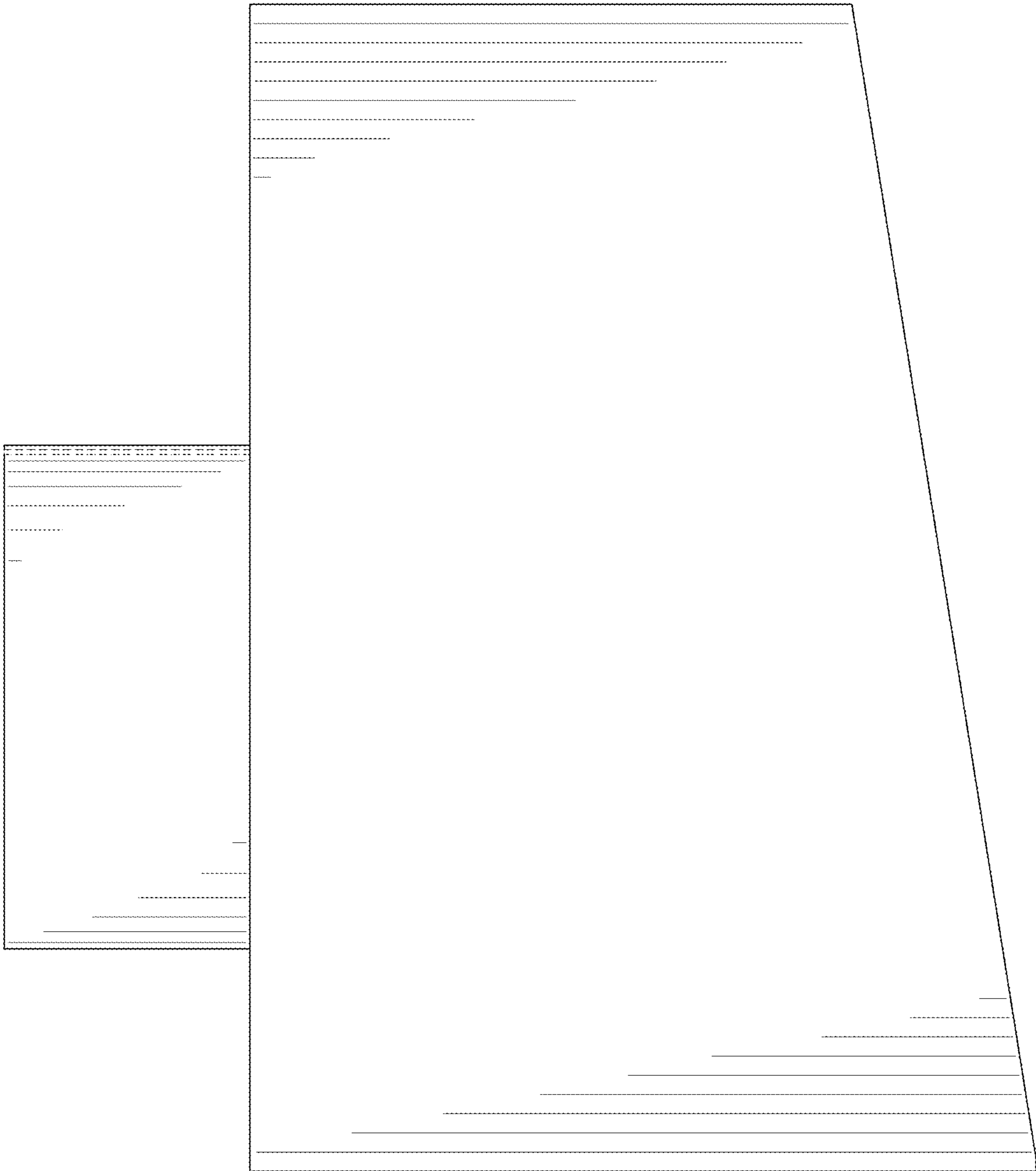


FIG. 6

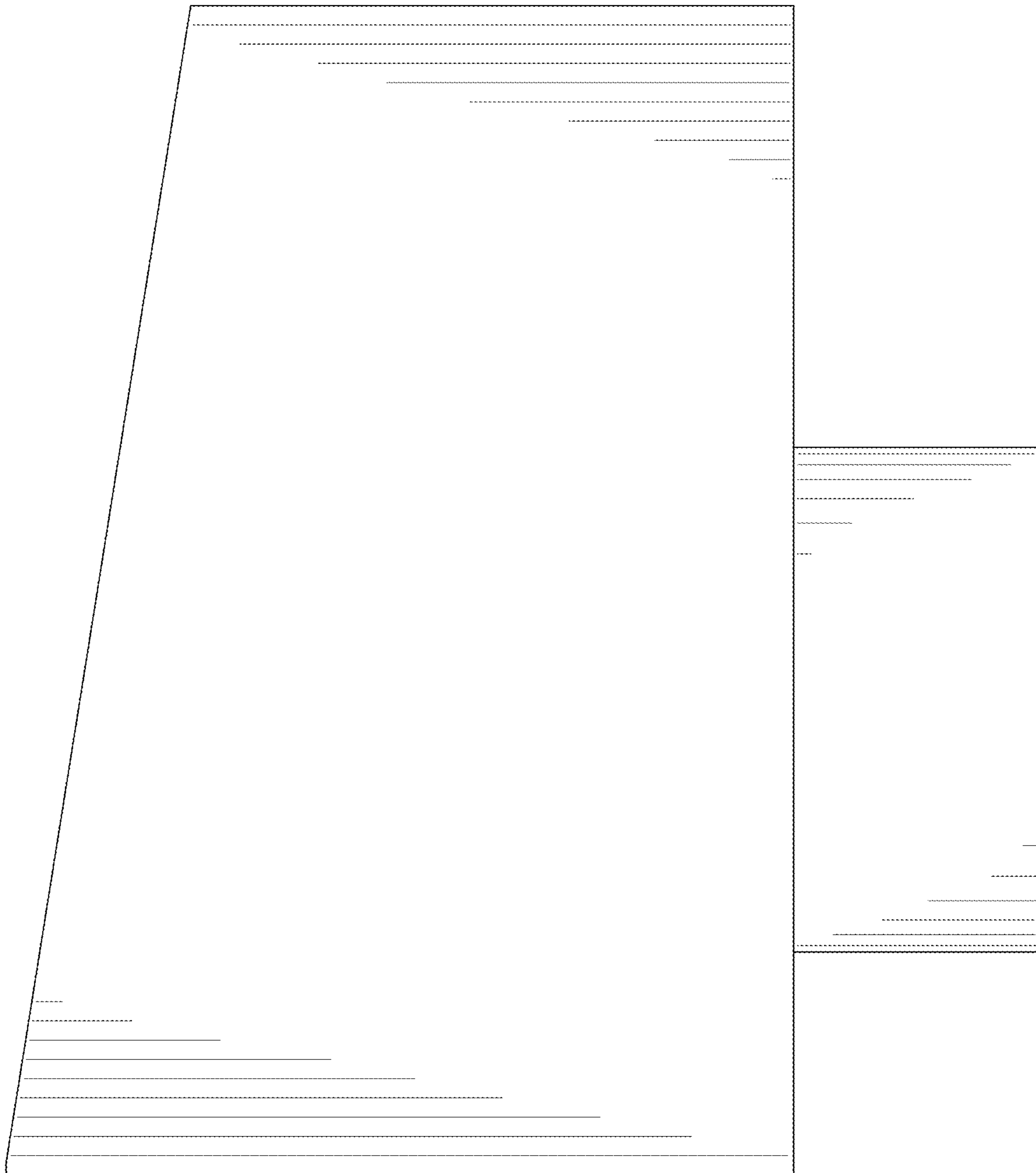


FIG. 7

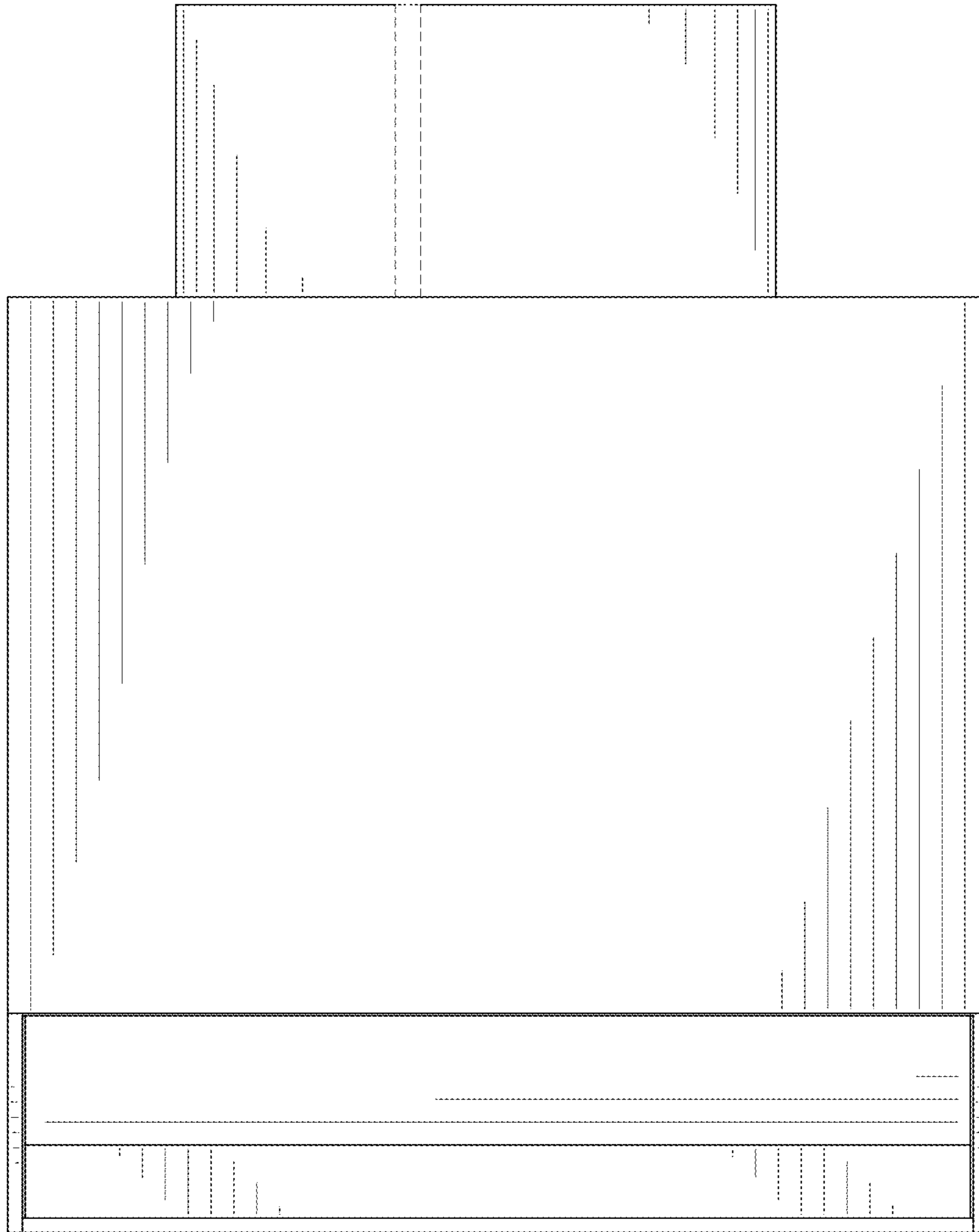


FIG. 8

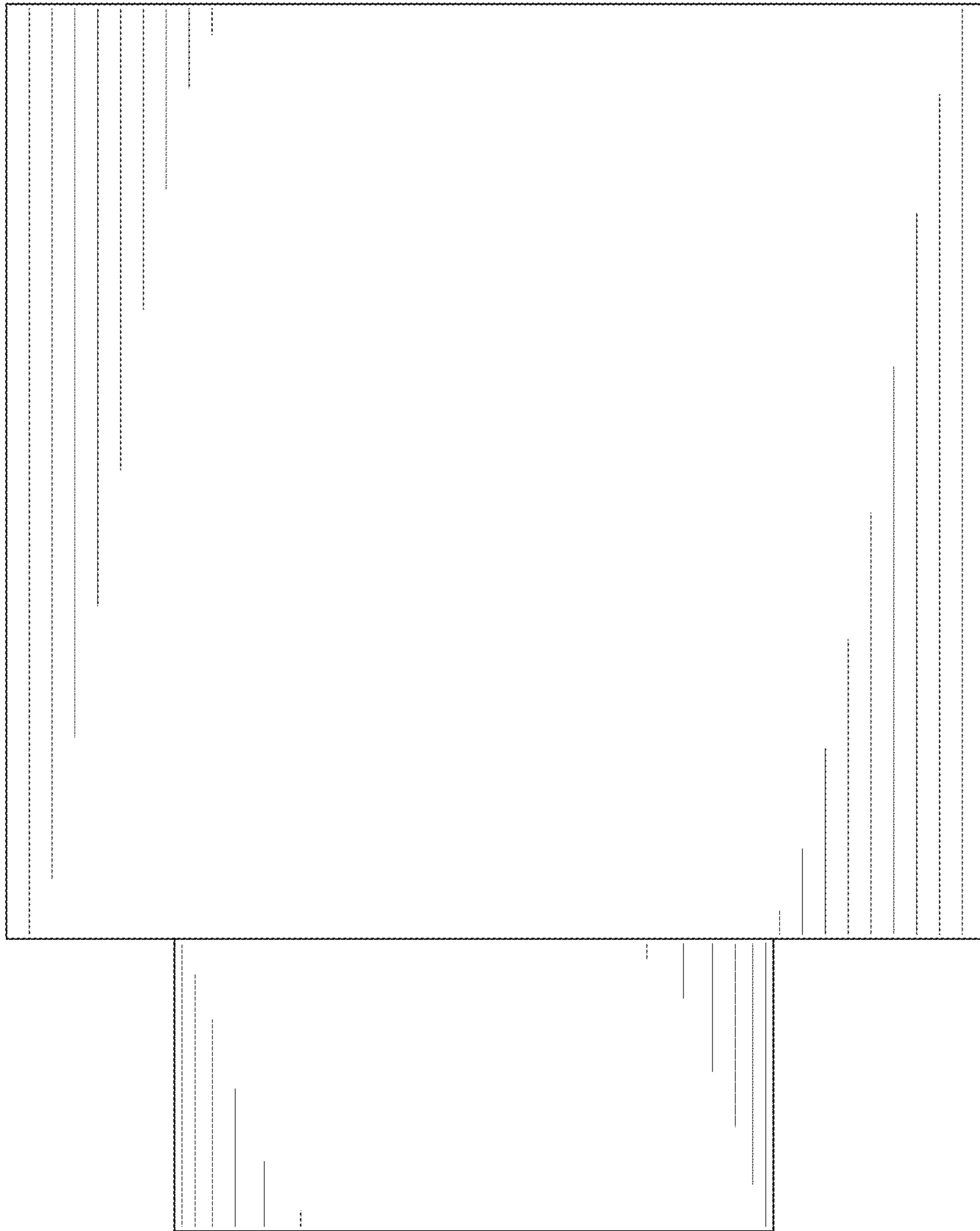


FIG. 9

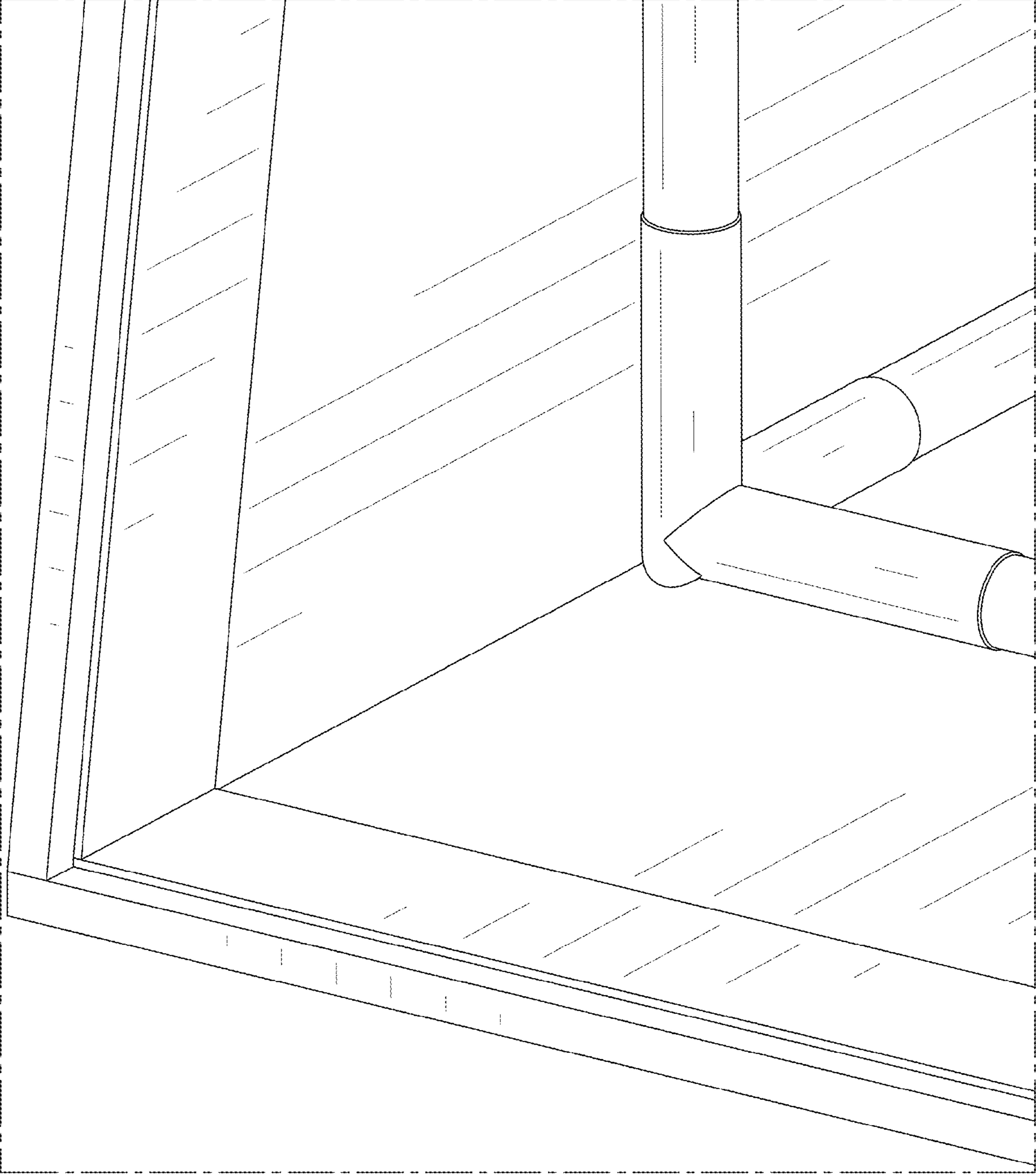


FIG. 10