



US00D985744S

(12) **United States Design Patent** (10) **Patent No.:** **US D985,744 S**
Fischer et al. (45) **Date of Patent:** **** May 9, 2023**

(54) **HEATER STAND**

(71) Applicant: **VORNADO AIR, LLC**, Andover, KS (US)

(72) Inventors: **Anthony Fischer**, Wichita, KS (US); **Byron Loibl**, Wichita, KS (US); **Brian M. Cartwright**, Wichita, KS (US); **Gregory Pease**, Andover, KS (US)

(73) Assignee: **Vornado Air, LLC**, Andover, KS (US)

(**) Term: **15 Years**

(21) Appl. No.: **29/782,278**

(22) Filed: **May 5, 2021**

(51) **LOC (14) Cl.** **23-03**

(52) **U.S. Cl.**
USPC **D23/341**

(58) **Field of Classification Search**
USPC D23/314, 329, 332, 333, 334, 335, 336,
D23/337, 338, 339, 340, 341, 363, 499;
D8/349, 354; D14/229; D34/6, 5
CPC F24H 9/0052; F24H 9/06; F24H 3/0417;
F24H 3/0411; F24H 3/0464
See application file for complete search history.

(56) **References Cited**

U.S. PATENT DOCUMENTS

D327,993 S * 7/1992 Brunner D6/681.1
D581,697 S * 12/2008 Fix D6/681.2

D688,072 S * 8/2013 Hennessey D6/682
D837,223 S * 1/2019 Wu D14/451
D865,140 S * 10/2019 Stone D23/322
D909,185 S * 2/2021 Su D6/682.2
D939,251 S * 12/2021 Wunner D6/672

* cited by examiner

Primary Examiner — Ania Aman

(74) *Attorney, Agent, or Firm* — Avyno Law P.C.

(57) **CLAIM**

We claim the ornamental design for a heater stand, as shown and described.

DESCRIPTION

FIG. 1 is a front top perspective view of a heater stand of the present invention.

FIG. 2 is a rear bottom perspective view of a heater stand of the present invention.

FIG. 3 is a side elevation view of the left side of the heater stand of FIG. 1.

FIG. 4 is a side elevation view of the right side of the heater stand of FIG. 1.

FIG. 5 is a front elevation view of the heater stand of FIG. 1.

FIG. 6 is a rear elevation view of the heater stand of FIG. 1

FIG. 7 is a top plan view of the heater stand of FIG. 1; and,

FIG. 8 is a bottom plan view of the heater stand of FIG. 1.

In the drawings, the broken lines depict portions of the heater stand that form no part of the claimed design.

1 Claim, 7 Drawing Sheets

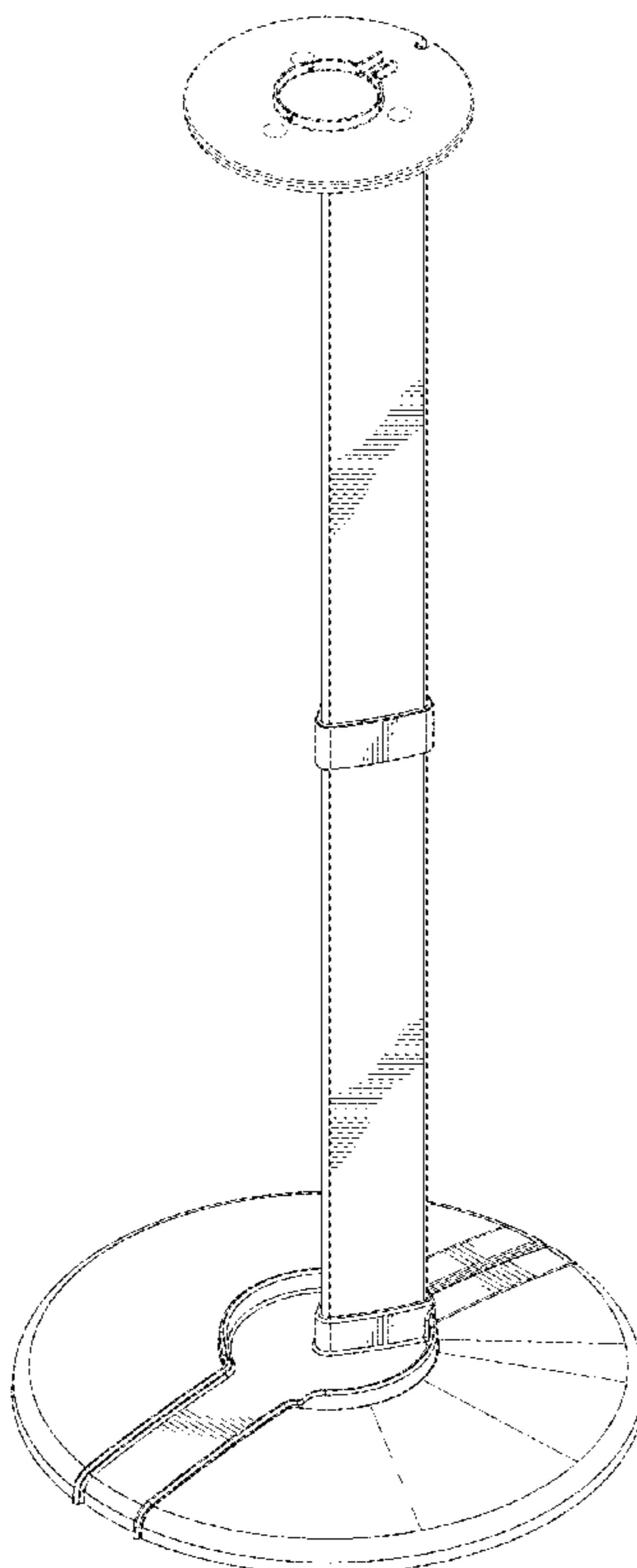
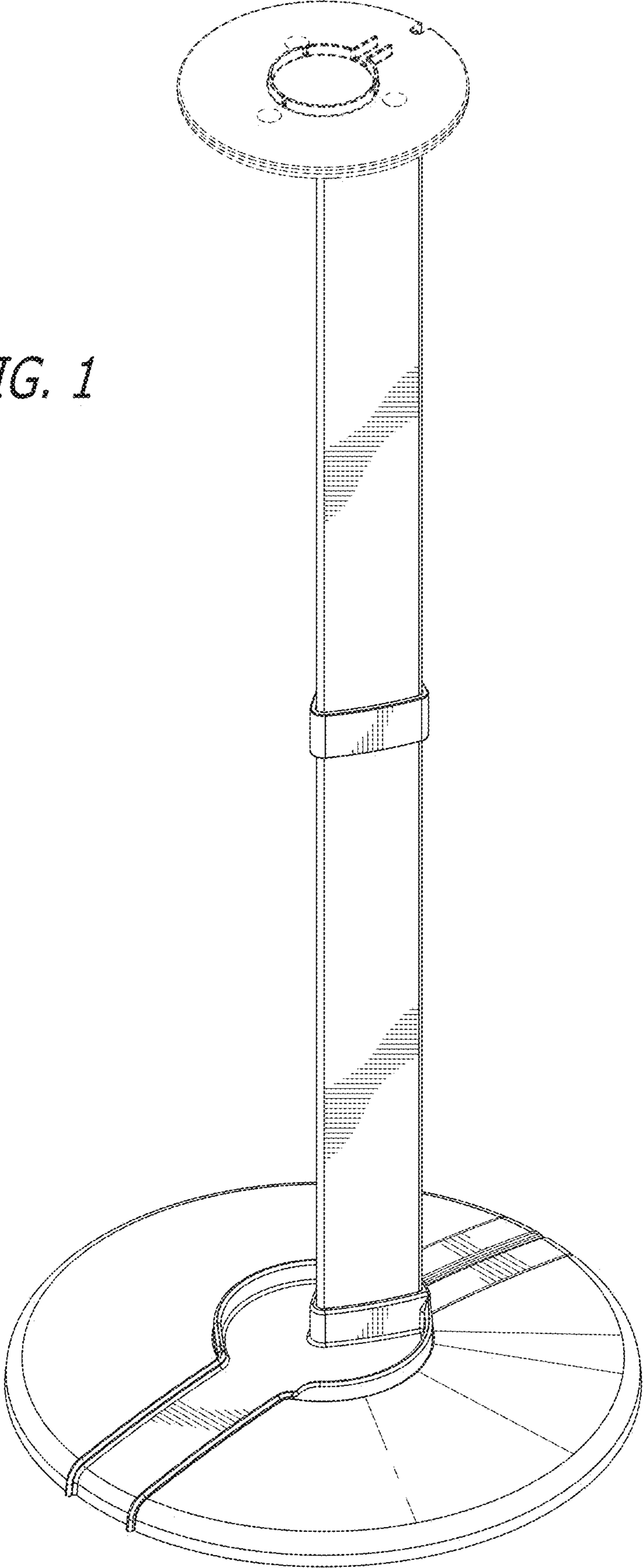


FIG. 1



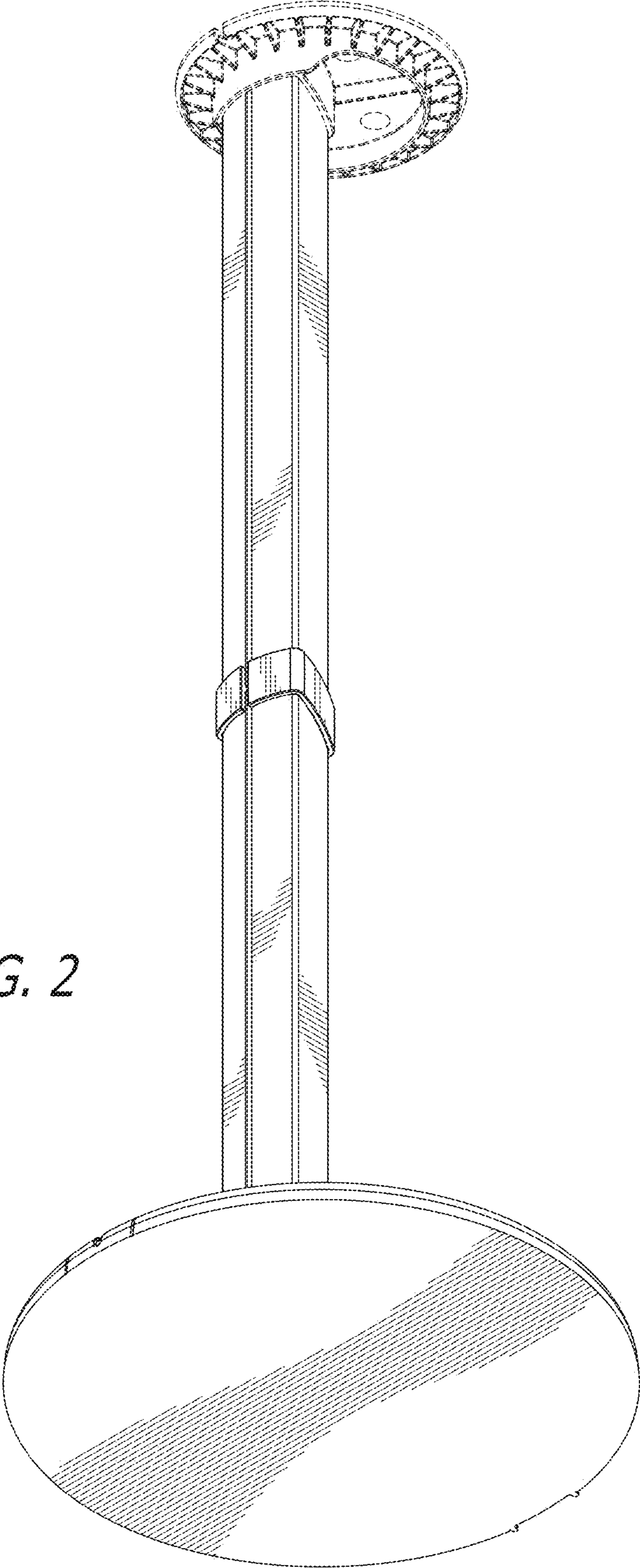


FIG. 2

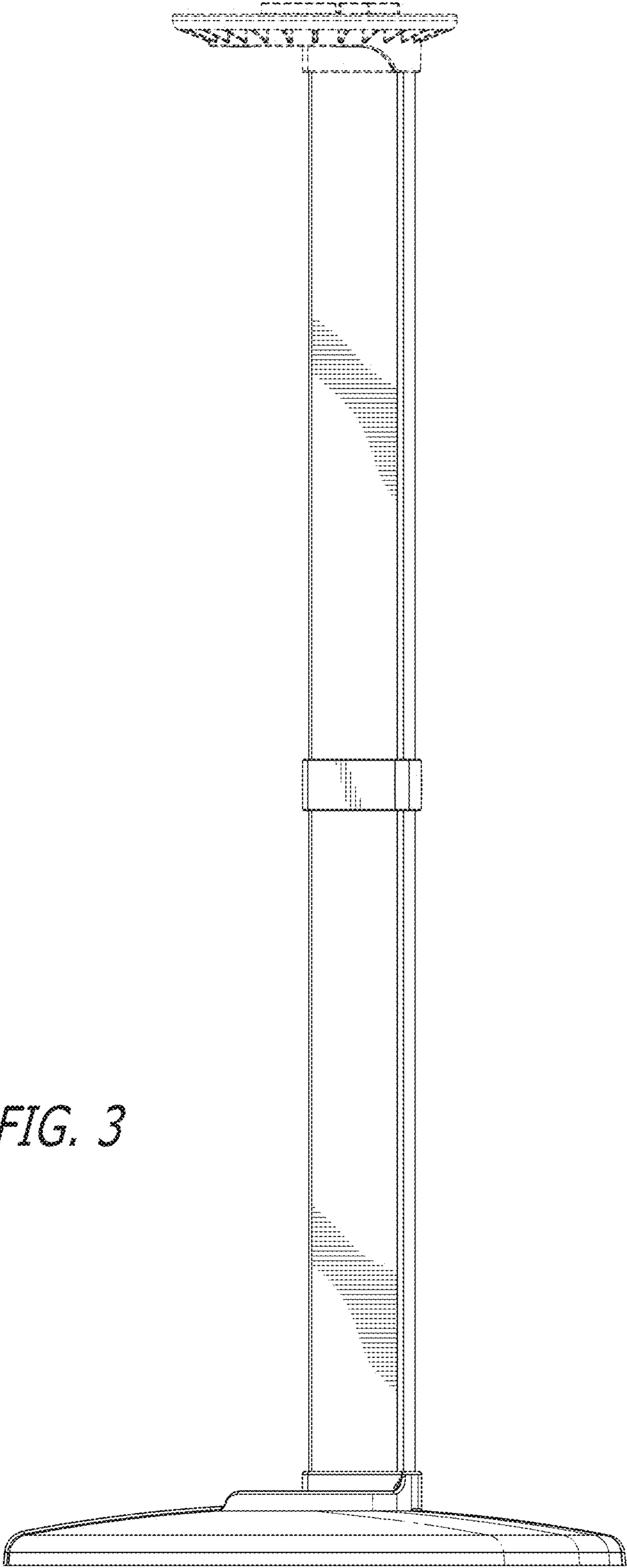


FIG. 3

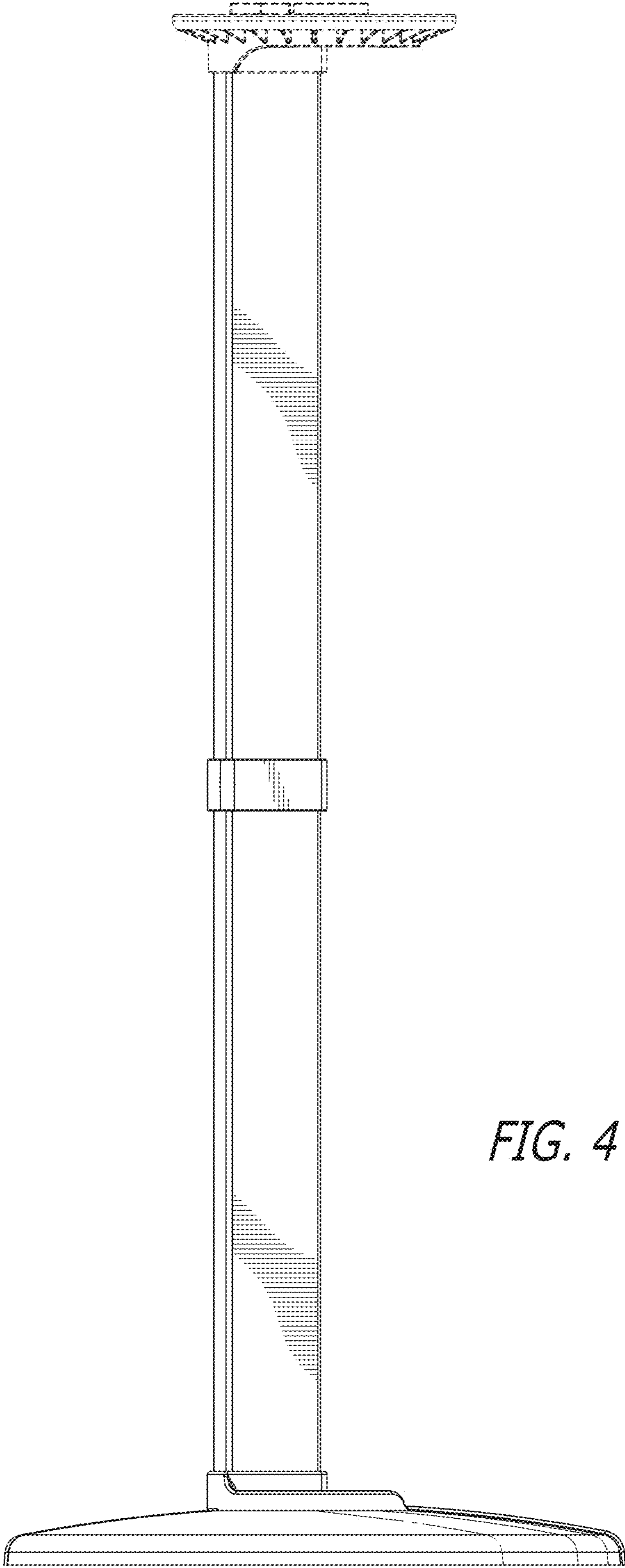


FIG. 4

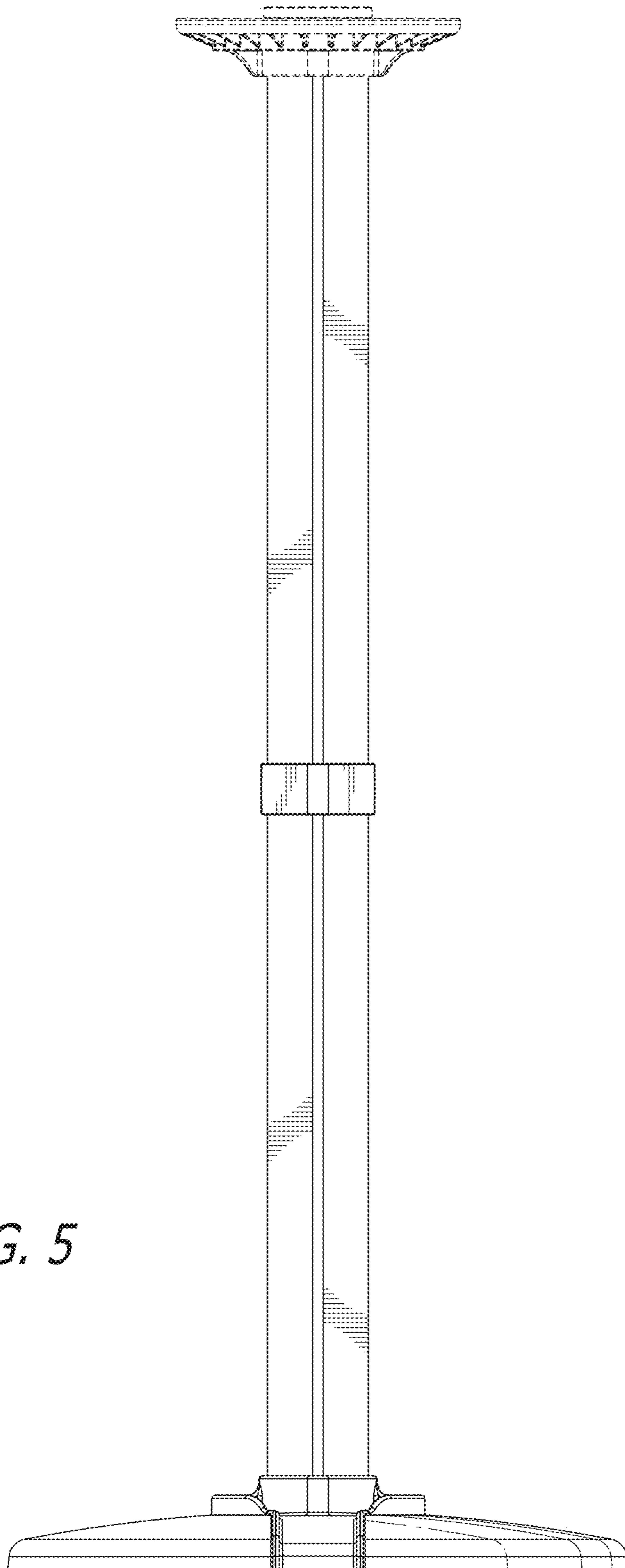


FIG. 5

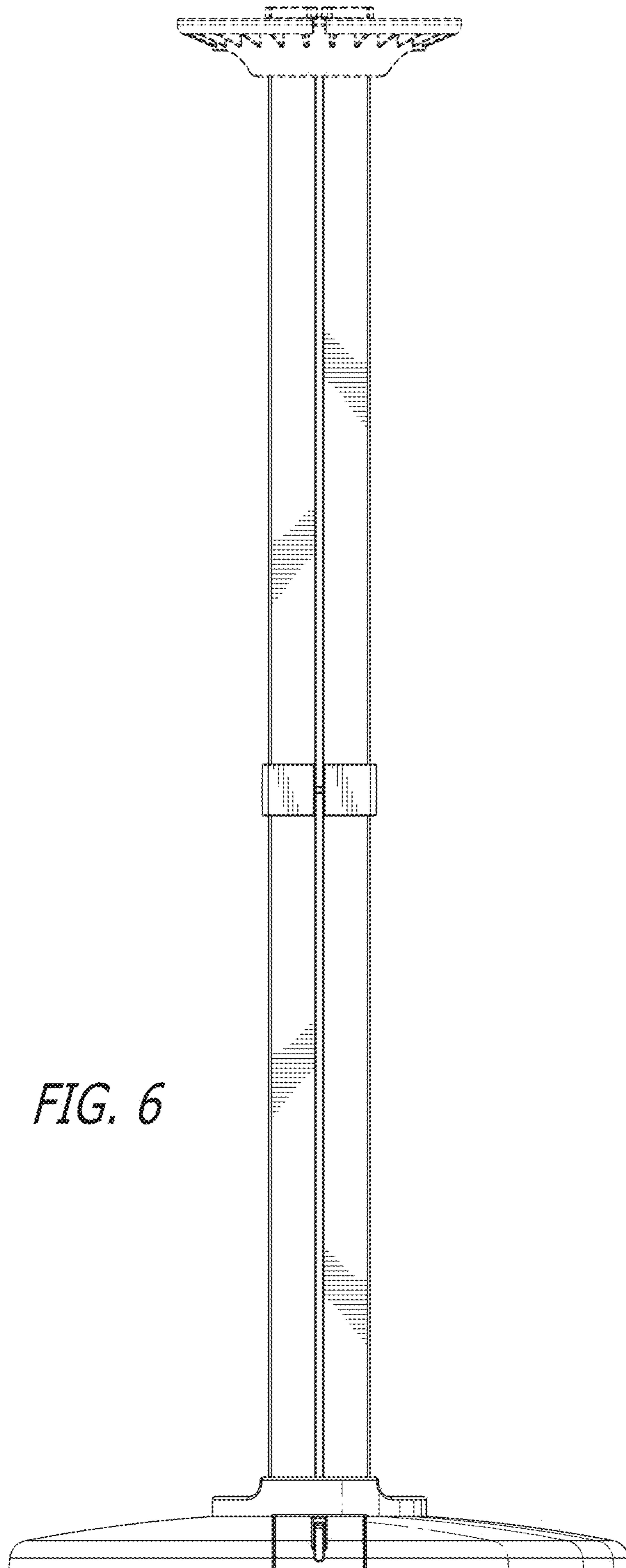


FIG. 6

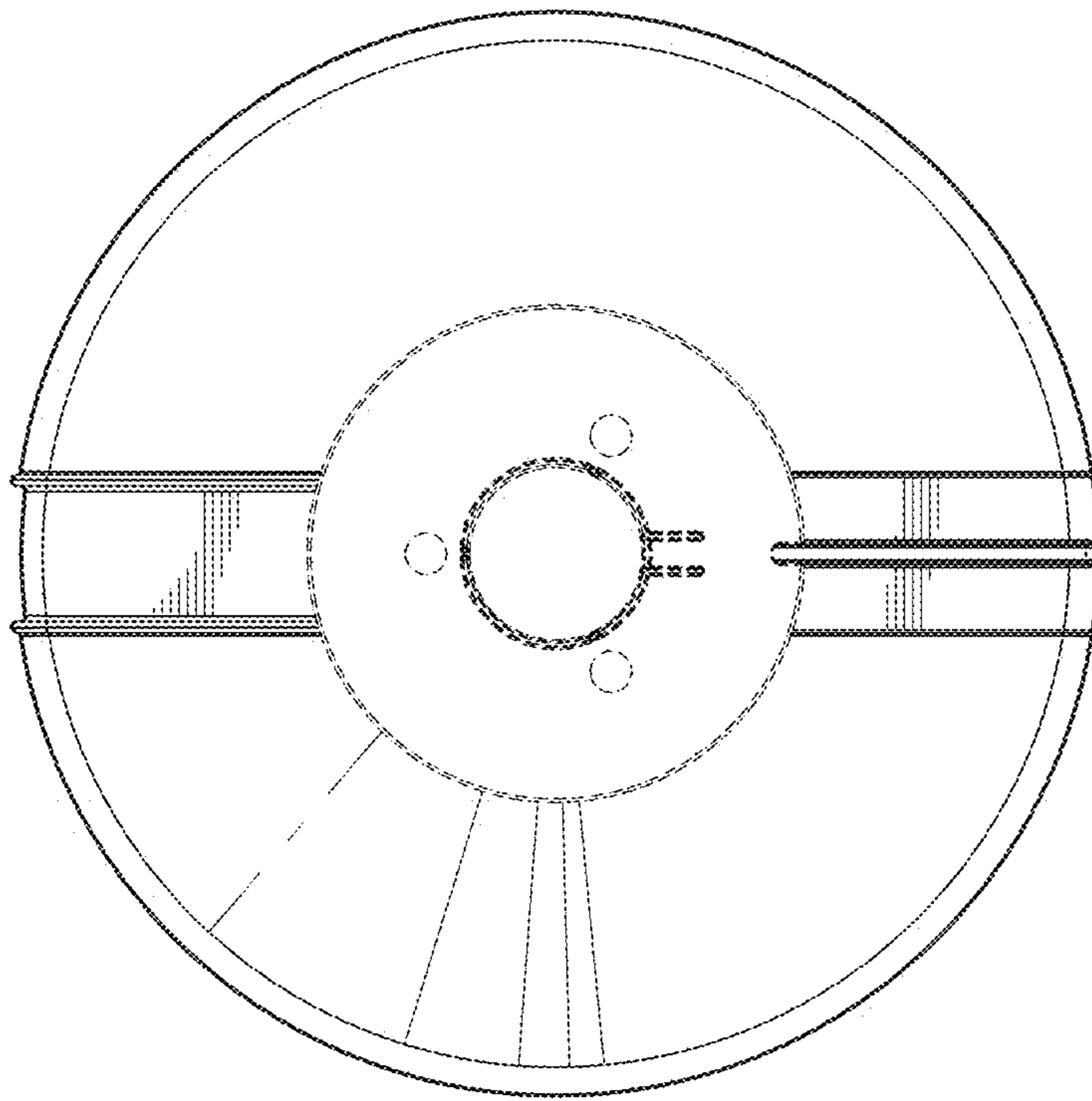


FIG. 7

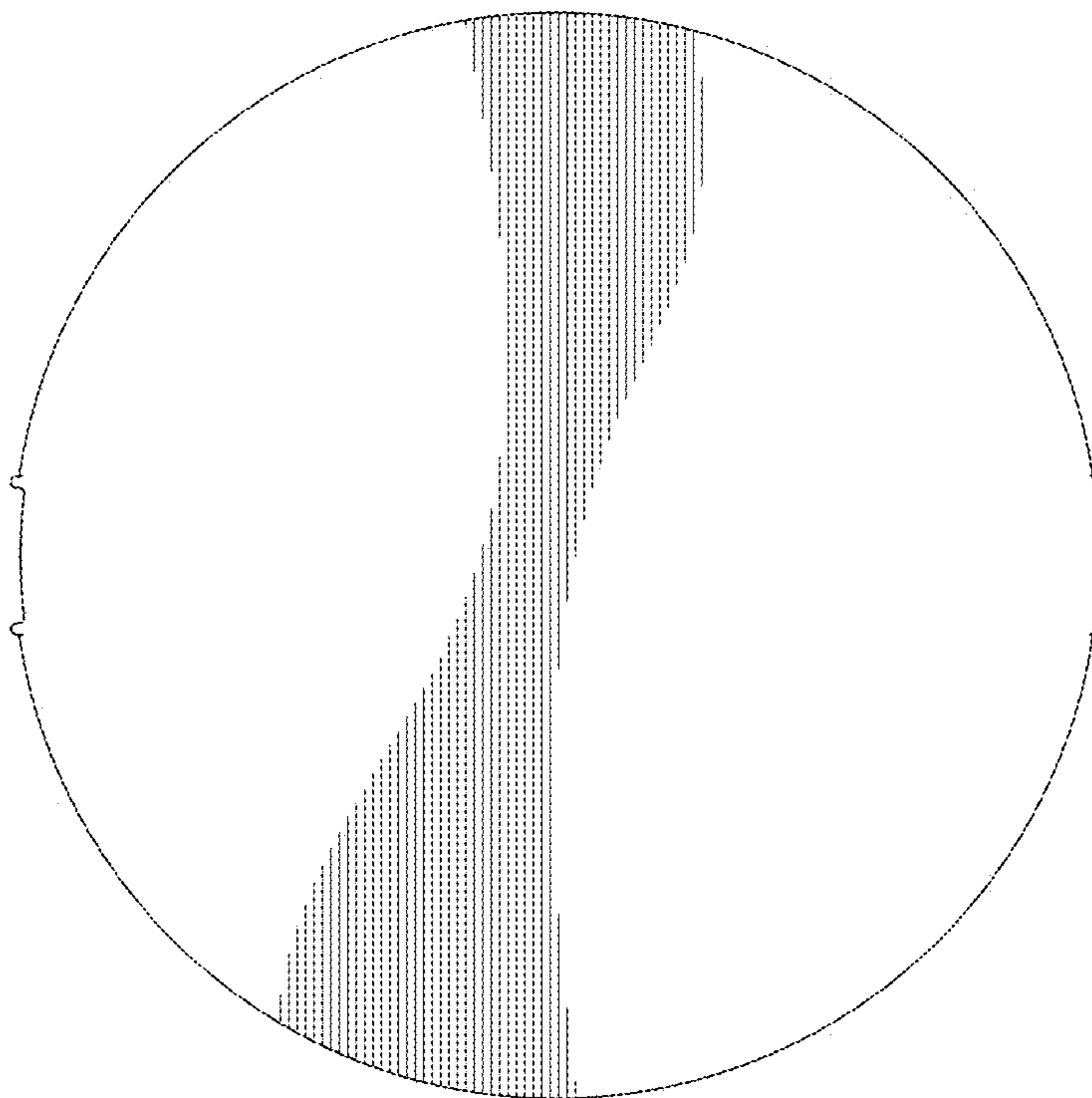


FIG. 8