



US00D985742S

(12) **United States Design Patent** (10) **Patent No.:** **US D985,742 S**  
**Jones** (45) **Date of Patent:** **\*\* May 9, 2023**

(54) **ENHANCED HEATING SYSTEM**  
(71) Applicant: **Blazon Heaters, Inc.**, Seattle, WA (US)  
(72) Inventor: **Joseph Charles Jones**, Seattle, WA (US)  
(73) Assignee: **Blazon Heaters, Inc.**, Seattle, WA (US)  
(\*\*) Term: **15 Years**  
(21) Appl. No.: **29/884,447**  
(22) Filed: **Feb. 10, 2023**  
(51) **LOC (14) Cl.** ..... **23-03**  
(52) **U.S. Cl.**  
USPC ..... **D23/335**  
(58) **Field of Classification Search**  
USPC ..... D23/314, 330, 332, 334, 335, 336, 337,  
D23/338, 339, 340, 341, 355, 356, 364,  
D23/370, 381, 382, 318  
CPC .... F24H 3/002; F24H 9/2071; F24H 2250/00;  
F24H 9/0052; F24H 9/0057; F24H 9/02;  
F24H 9/1863; F24H 9/1854; F24H  
9/1872; F24H 3/0411; F24H 3/0417;  
F24H 2240/00; F24H 3/022  
See application file for complete search history.

D543,611 S 5/2007 Tateishi  
D564,645 S 3/2008 Shapiro  
D569,957 S 3/2008 Shapiro  
D572,351 S 7/2008 Lewis  
D578,626 S 10/2008 Gao  
D579,535 S 10/2008 Hsu  
D580,027 S 11/2008 Gao  
D597,641 S 8/2009 Israel et al.  
D622,834 S 8/2010 Jiang  
D728,765 S 5/2015 Oishi  
D850,592 S 6/2019 Jacobs  
D884,859 S 5/2020 Lewis  
D900,986 S 11/2020 Chan  
D926,299 S 7/2021 Piasio  
D943,720 S 2/2022 Pease et al.  
D957,599 S 7/2022 Erisgen et al.  
11,402,125 B1 \* 8/2022 Jones ..... F24H 3/022  
D972,096 S \* 12/2022 Jones ..... D23/335  
D980,396 S \* 3/2023 Barlettano ..... D23/335

\* cited by examiner

*Primary Examiner* — Ania Aman  
(74) *Attorney, Agent, or Firm* — Grandview Law

(57) **CLAIM**

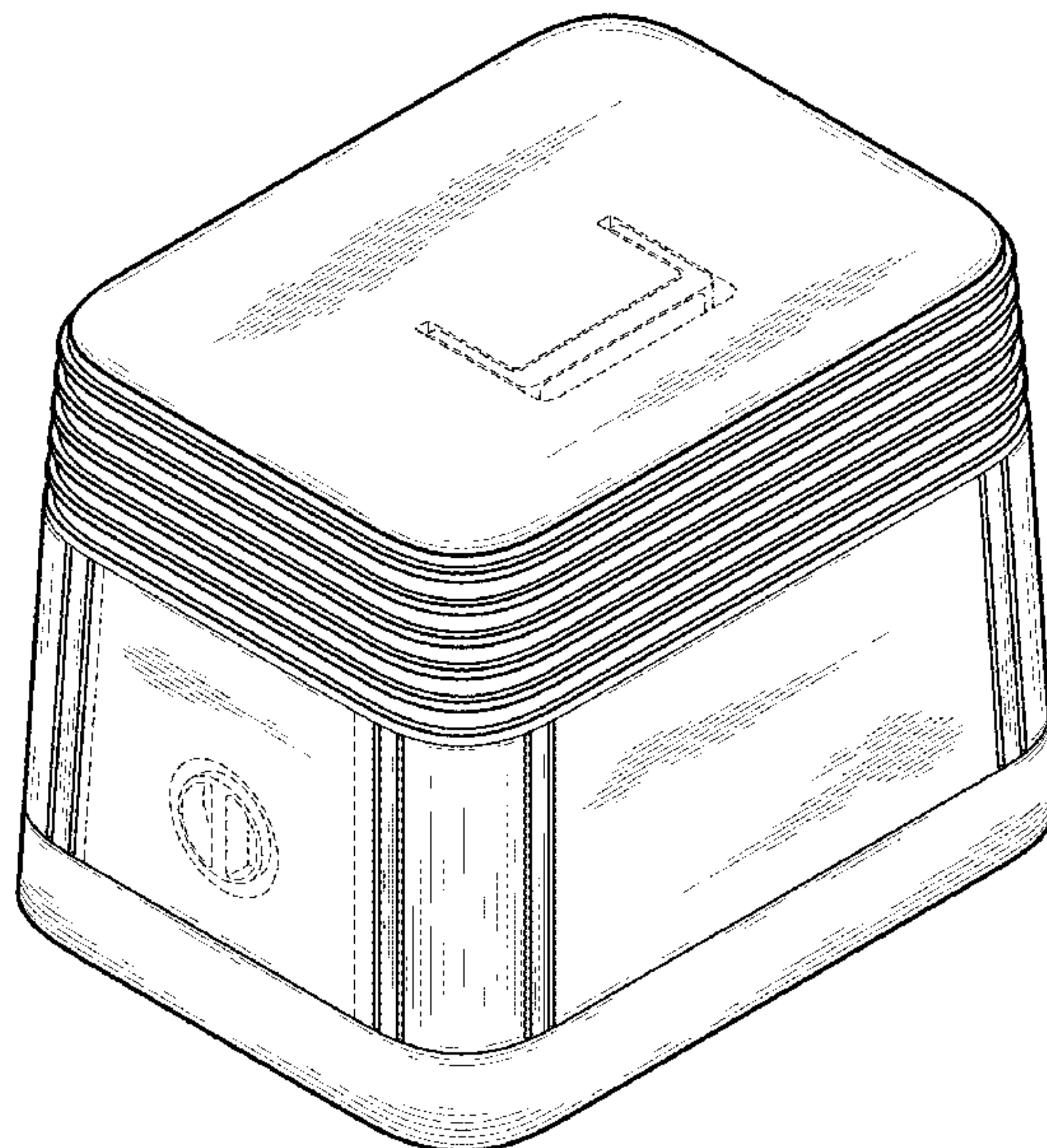
The ornamental design for an enhanced heating system, as shown and described.

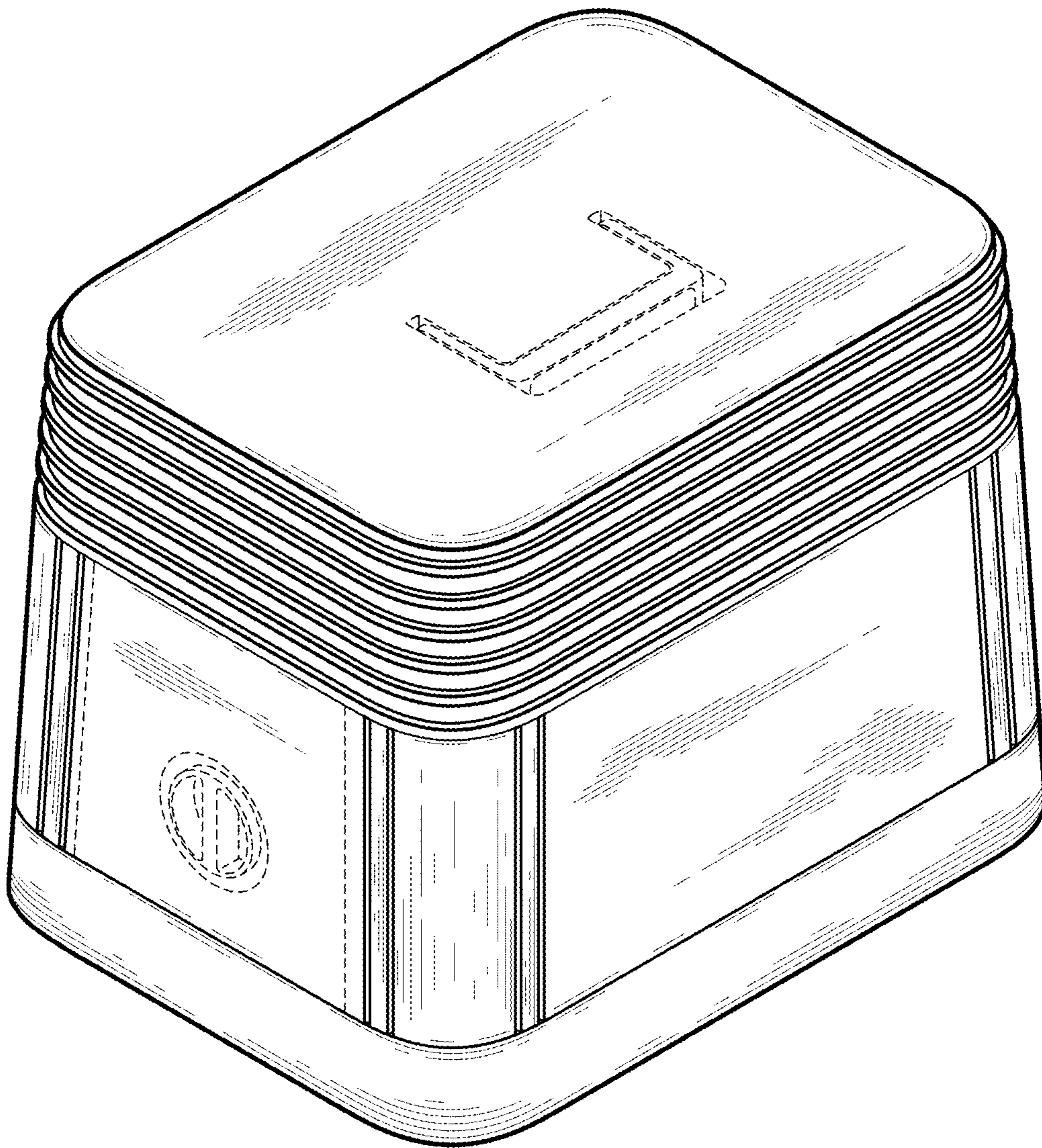
**DESCRIPTION**

FIG. 1 is a front perspective view of an enhanced heating system showing my new design.  
FIG. 2 is a top plan view thereof.  
FIG. 3 is a bottom plan view thereof.  
FIG. 4 is a front elevational view thereof.  
FIG. 5 is a rear elevational view thereof.  
FIG. 6 is a right elevational view thereof; and,  
FIG. 7 is a left elevational view thereof.  
The broken lines in the figures depict features of the enhanced heating system that form no part of the claimed design.

(56) **References Cited**  
U.S. PATENT DOCUMENTS  
D418,591 S 1/2000 Birdsell et al.  
D422,348 S \* 4/2000 Liu ..... D23/335  
D448,071 S 9/2001 Birdsell et al.  
D462,429 S 9/2002 Gao  
D476,724 S 7/2003 Chuang et al.  
D495,795 S 9/2004 Kaiser et al.  
D505,487 S 5/2005 Blateri  
D507,825 S 7/2005 Blateri  
D516,688 S 3/2006 Blateri  
D519,194 S 4/2006 Blateri  
D521,132 S 5/2006 Blateri

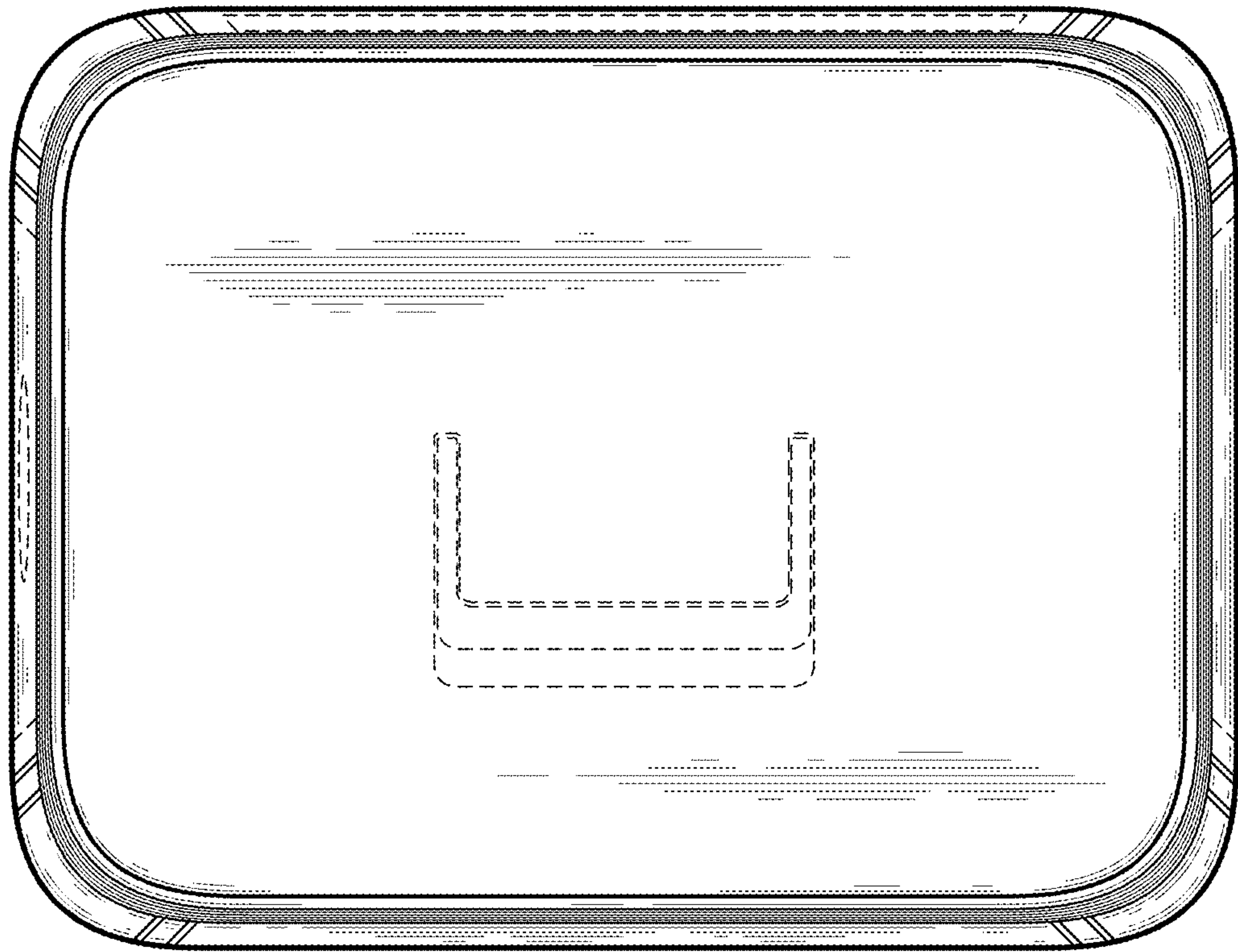
**1 Claim, 6 Drawing Sheets**



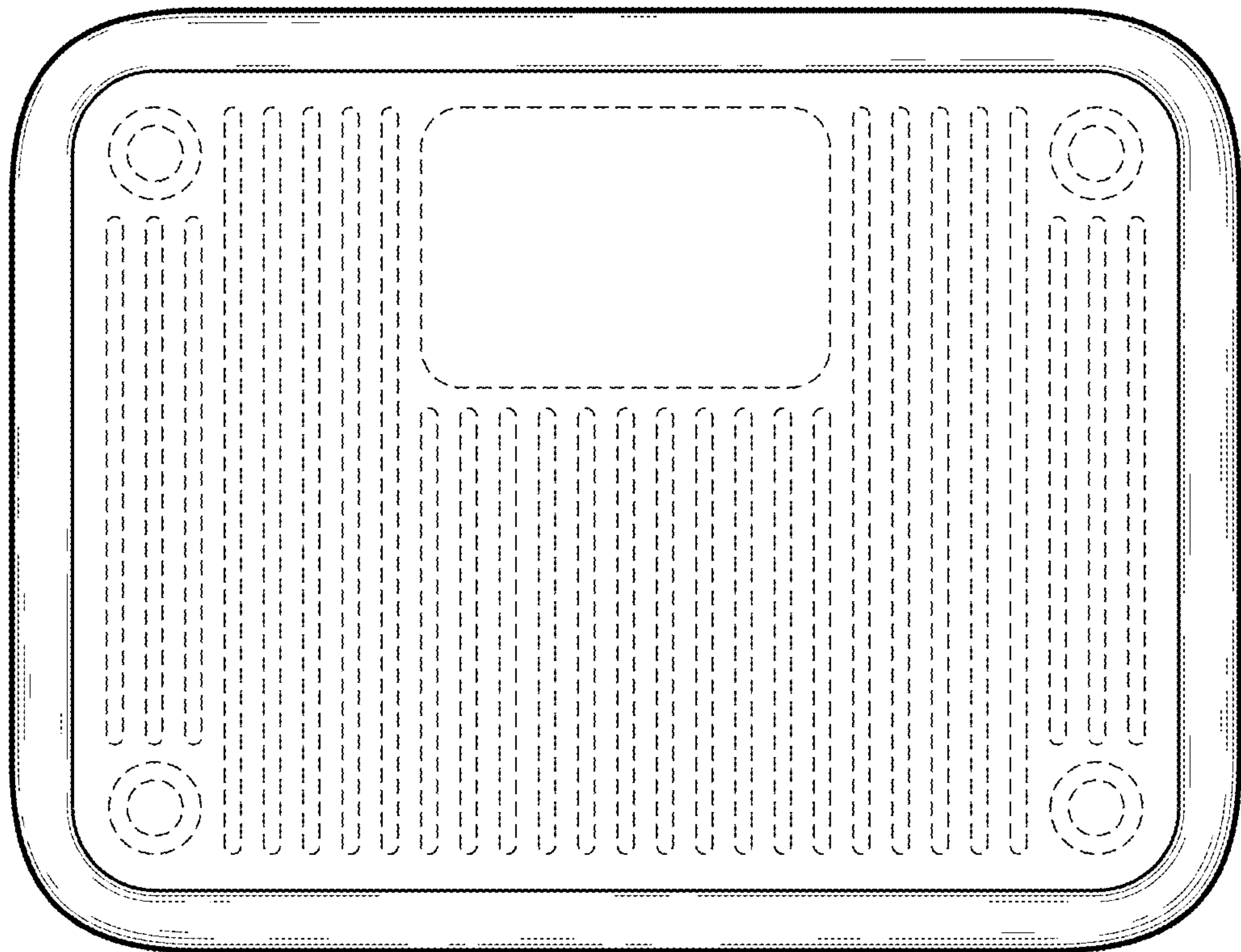


*Fig. 1*

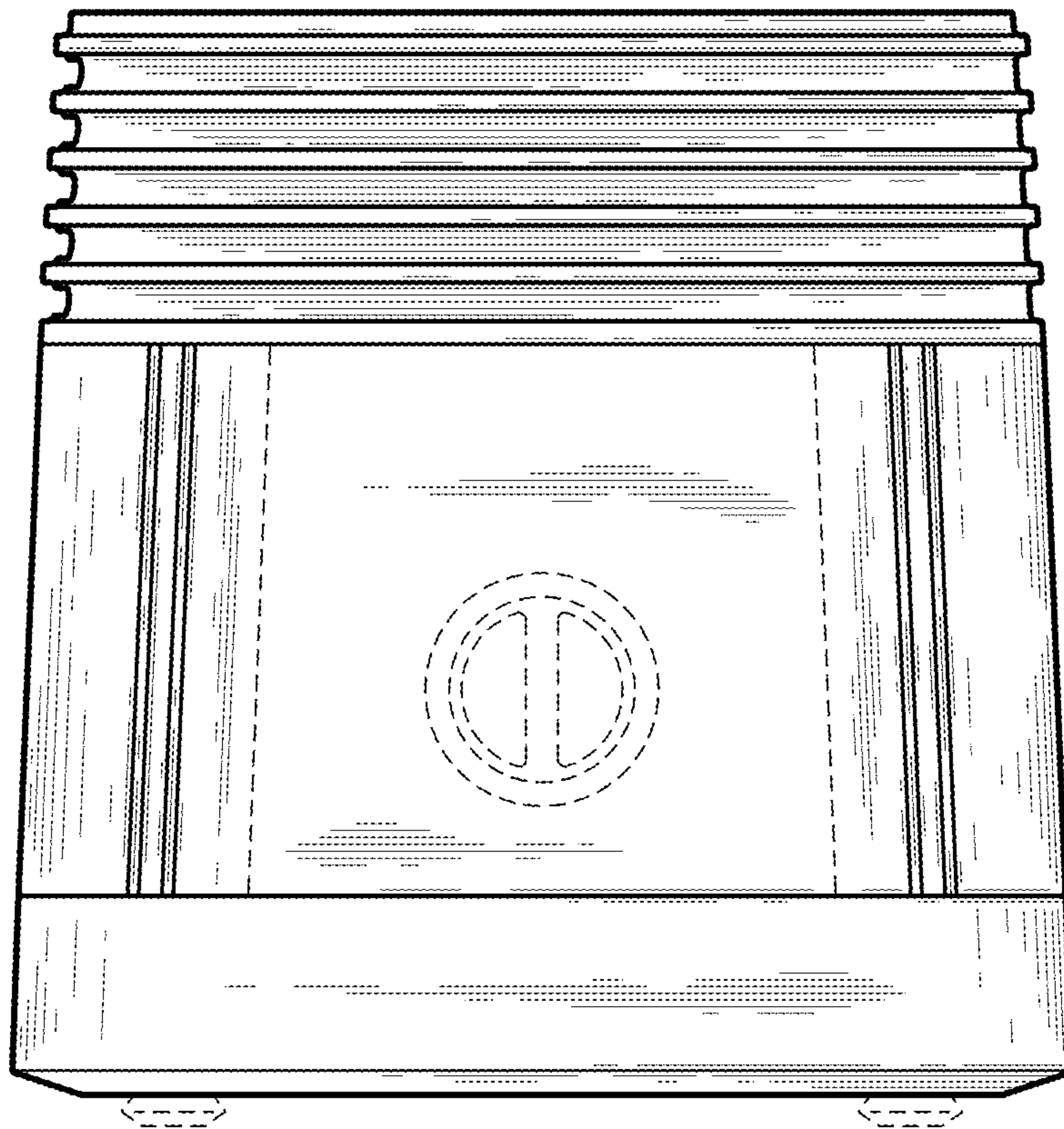




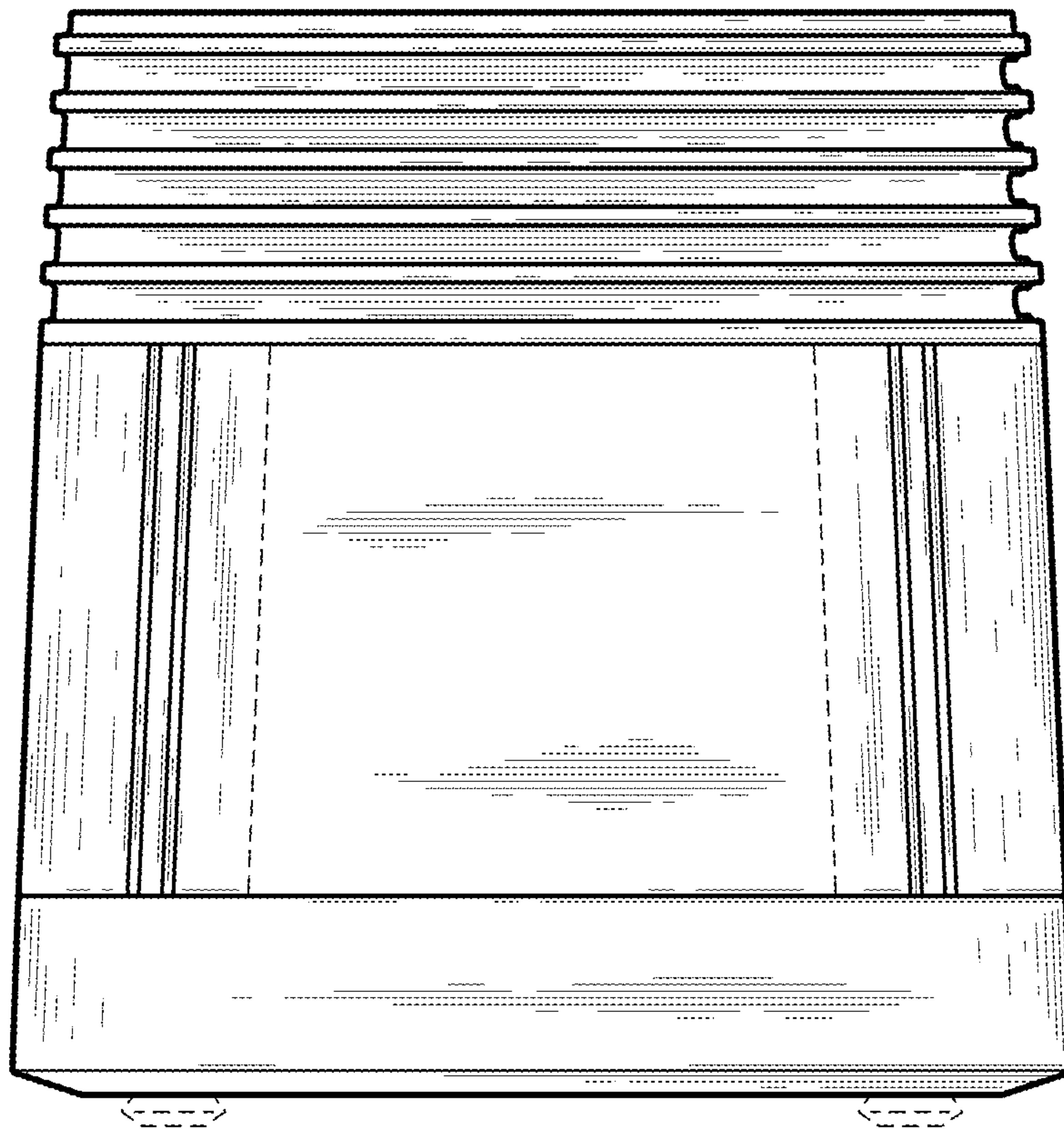
*Fig. 2*



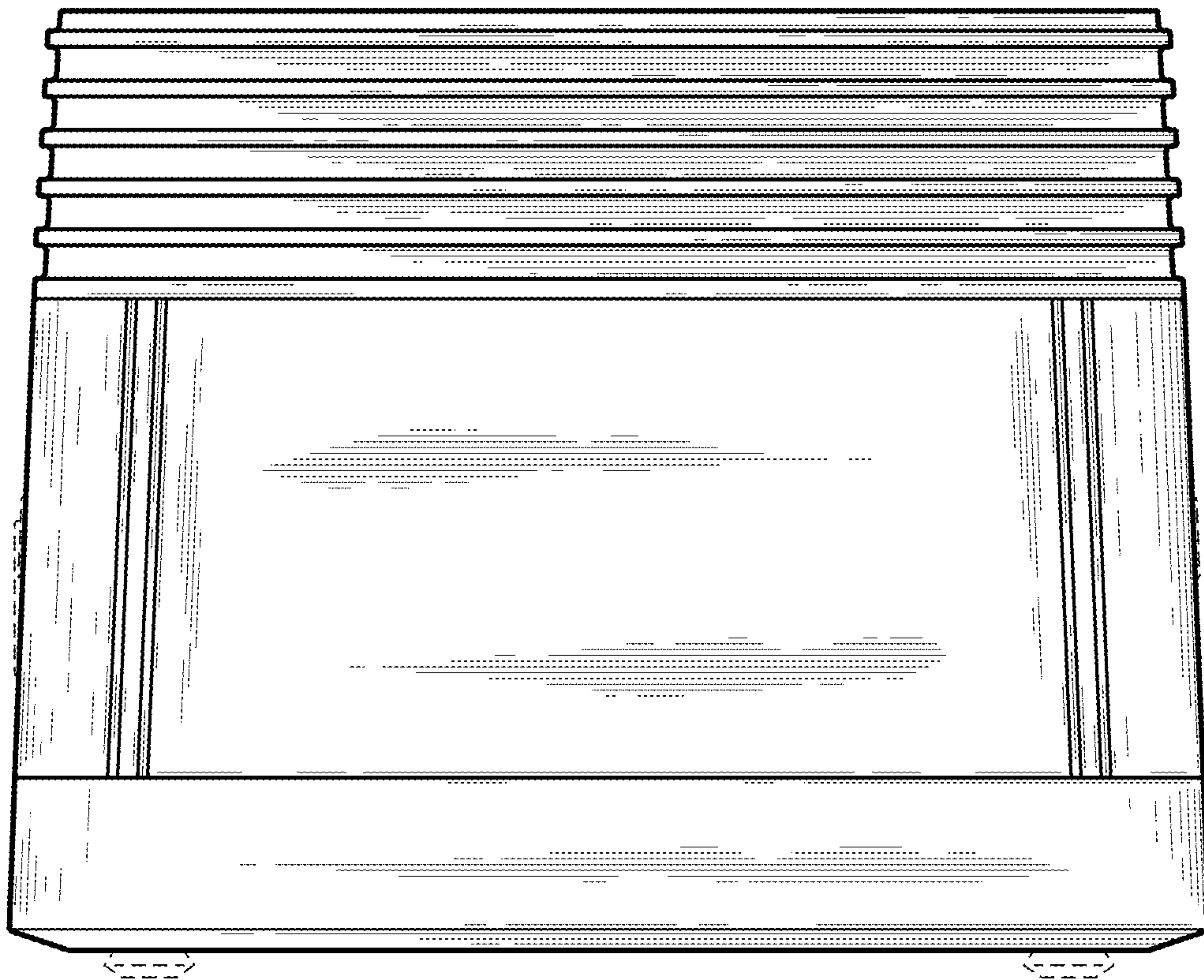
*Fig. 3*



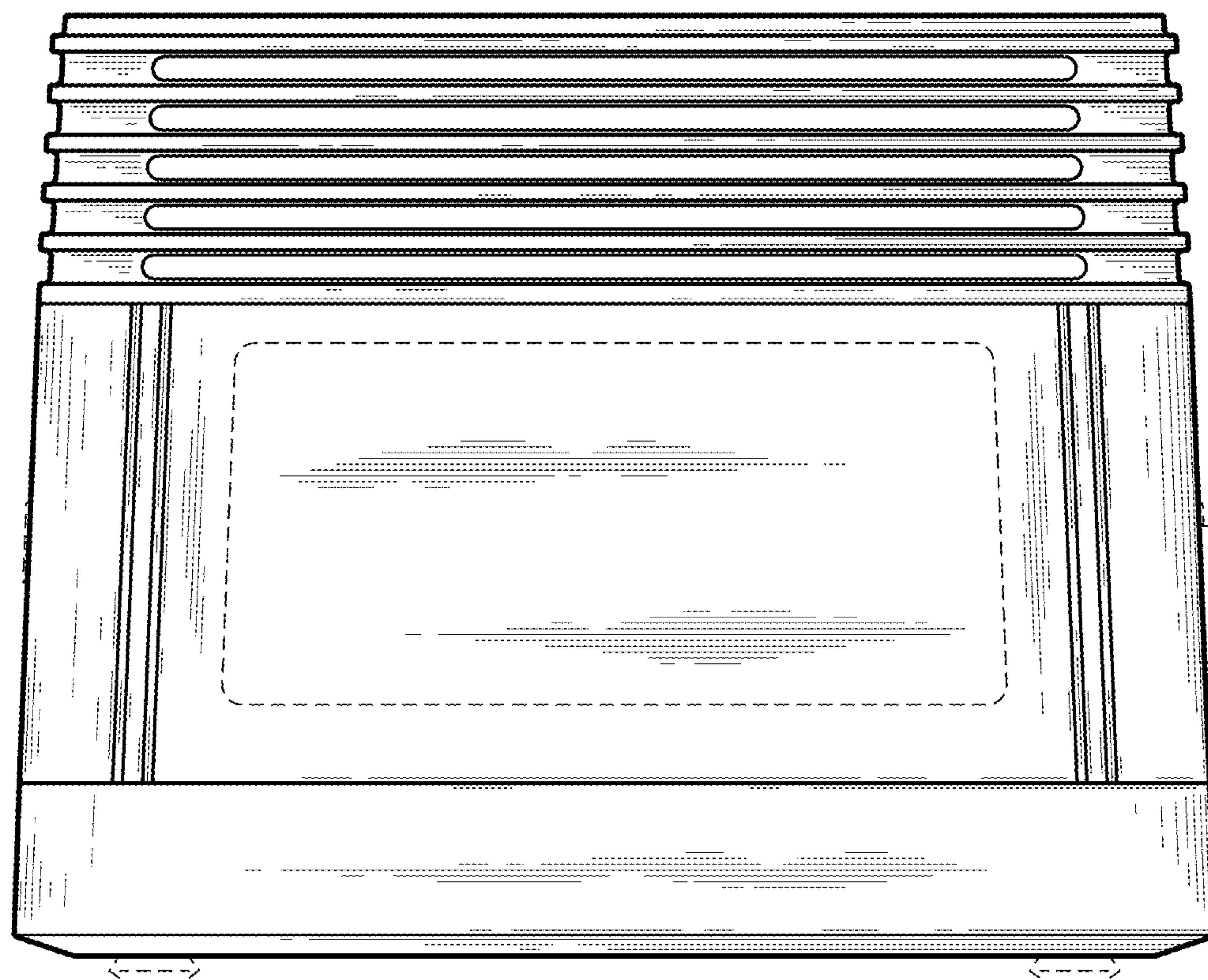
*Fig. 4*



*Fig. 5*



*Fig. 6*



*Fig. 7*