



US00D985739S

(12) **United States Design Patent**
Nakano et al.

(10) **Patent No.:** **US D985,739 S**
(45) **Date of Patent:** **** May 9, 2023**

(54) **GASKET**

(71) Applicant: **NIPPON PILLAR PACKING CO., LTD.**, Osaka (JP)
(72) Inventors: **Atsushi Nakano**, Osaka (JP); **Shingo Higuchi**, Osaka (JP); **Kazukiyo Teshima**, Osaka (JP)
(73) Assignee: **NIPPON PILLAR PACKING CO., LTD.**, Osaka (JP)

(**) Term: **15 Years**

(21) Appl. No.: **29/785,380**

(22) Filed: **May 25, 2021**

(30) **Foreign Application Priority Data**

Dec. 11, 2020 (JP) 2020-026722

(51) **LOC (14) Cl.** **23-01**

(52) **U.S. Cl.**
USPC **D23/269**

(58) **Field of Classification Search**

USPC D23/207-209, 237, 259, 262, 269, 386;
D15/28, 123, 199; D8/349; D13/133,
D13/154, 199; D24/129; D32/31
CPC . F16L 11/00; F16L 25/01; F16L 17/10; F16L
17/025; F16L 47/08; F16L 59/14; F16L
21/02; F16L 21/03; F16K 11/07; F16K
31/002; E03C 1/24; F16J 15/025; F16J
15/026; F16J 15/027; F16J 15/062; F16J
15/16; F16J 15/125; F16J 15/166;

(Continued)

(56) **References Cited**

U.S. PATENT DOCUMENTS

D202,701 S * 11/1965 Moeny D23/237
D243,406 S * 2/1977 Mooney D13/154

(Continued)

FOREIGN PATENT DOCUMENTS

JP 2019-167978 A 10/2019
JP D1697116 * 10/2021

OTHER PUBLICATIONS

Garden Hose—8pcs Garden Tap Seal Ring Rubber Ring Drip Tape Tap Adapter Drip Irrigation Valve Adapter, available in Amazon.com, date not available [online], [site visited Sep. 21, 2022], Available from the internet URL: <https://www.amazon.com/Garden-Hose-Rubber-Adapter-Irrigation/dp/B07YLDHXDF> (Year: 2022).*

(Continued)

Primary Examiner — Amy C Wierenga

Assistant Examiner — Kathryn Elizabeth Zieno

(74) *Attorney, Agent, or Firm* — Alston & Bird LLP

(57) **CLAIM**

The ornamental design for a gasket, as shown and described.

DESCRIPTION

FIG. 1 is a top perspective view of a gasket, according to the present design.

FIG. 2 is a front elevation view of the gasket of FIG. 1.

FIG. 3 is a rear elevation view of the gasket of FIG. 1.

FIG. 4 is a left side elevation view of the gasket of FIG. 1.

FIG. 5 is a right side elevation view of the gasket of FIG. 1, the right side elevation view being identical to the left side elevation view of FIG. 4.

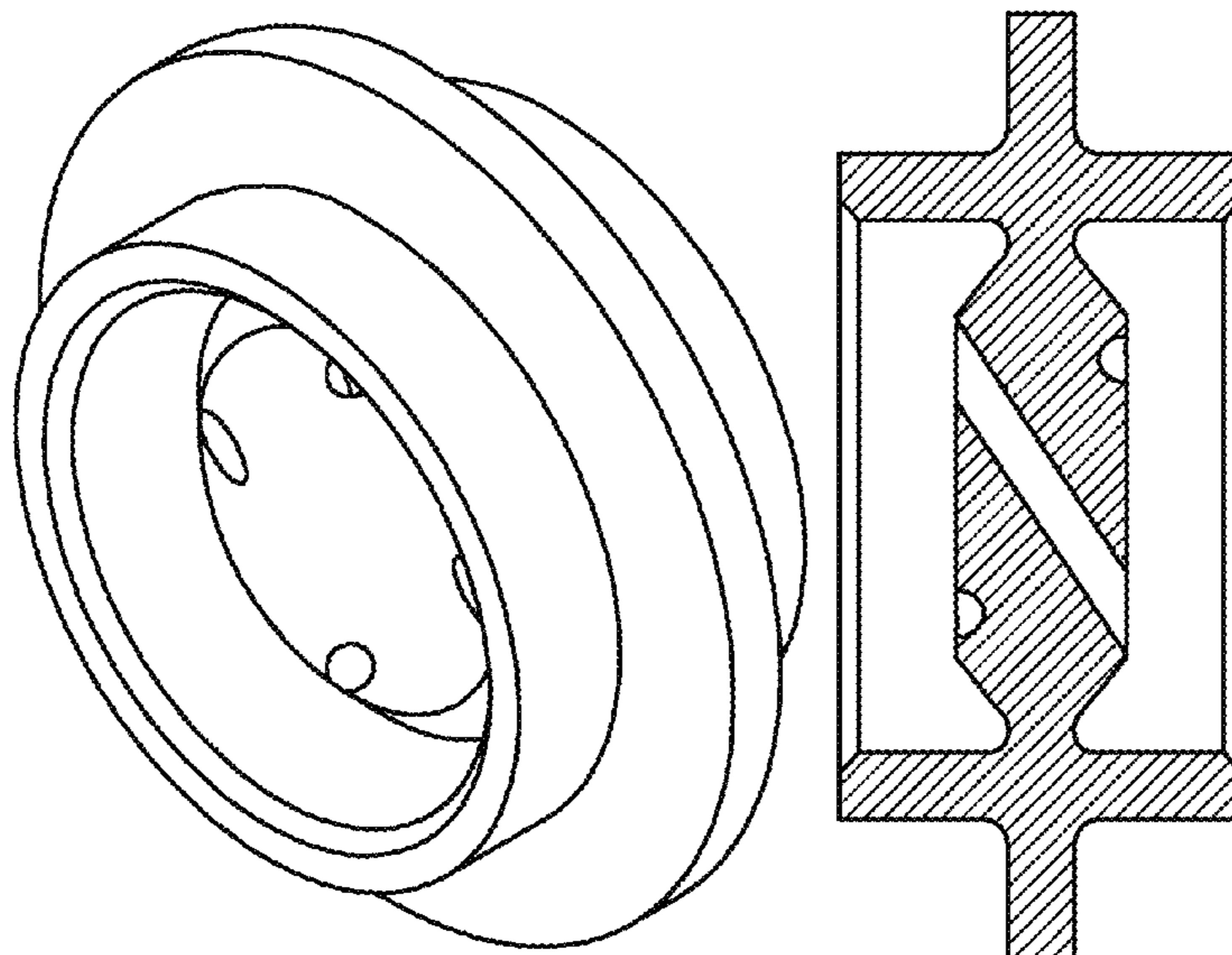
FIG. 6 is a top plan view of the gasket of FIG. 1.

FIG. 7 is a bottom plan view of the gasket of FIG. 1, the bottom plan view being identical to the top plan view of FIG. 6.

FIG. 8 is a cross-sectional view of the gasket of FIG. 1, along cut line 8-8 that is visible in FIG. 2; and,

FIG. 9 is a cross-sectional view of the gasket of FIG. 1, along cut line 9-9 that is visible in FIG. 2.

1 Claim, 8 Drawing Sheets



(58) **Field of Classification Search**

CPC F16J 15/186; F16J 15/3232; F04B 1/0448;
B24B 37/30; B24B 37/32; B24B 41/06;
B24B 41/061; B24B 41/062; B60K
15/0406

See application file for complete search history.

(56) **References Cited**

U.S. PATENT DOCUMENTS

D362,902	S	*	10/1995	Reiber	D23/269
D363,778	S	*	10/1995	Cane	D24/129
D553,238	S	*	10/2007	Haggkvist	D23/386
D595,835	S	*	7/2009	Fu	D23/411
D616,966	S	*	6/2010	Angell	D23/262
D699,545	S	*	2/2014	Ackerman	D8/349
D737,497	S	*	8/2015	Burgess	D26/113
D841,782	S	*	2/2019	Wada	D23/260
D880,661	S	*	4/2020	Foster	D23/269
D894,343	S	*	8/2020	Hay	D23/269
11,572,951	B2	*	2/2023	Adachi	F16L 17/067
2020/0347966	A1	*	11/2020	Skinner	F16L 21/035
2021/0033225	A1	*	2/2021	Adachi	F16L 19/0212

OTHER PUBLICATIONS

Icon 12483 Holding Tank Fitting, available in Amazon.com, date first available Feb. 26, 2017 [online], [site visited Sep. 21, 2022], Available from the internet URL: <https://www.amazon.ca/Icon-12483-Rubber-Grommet/dp/B01MD1JDK8?th=1> (Year: 2017).*

* cited by examiner

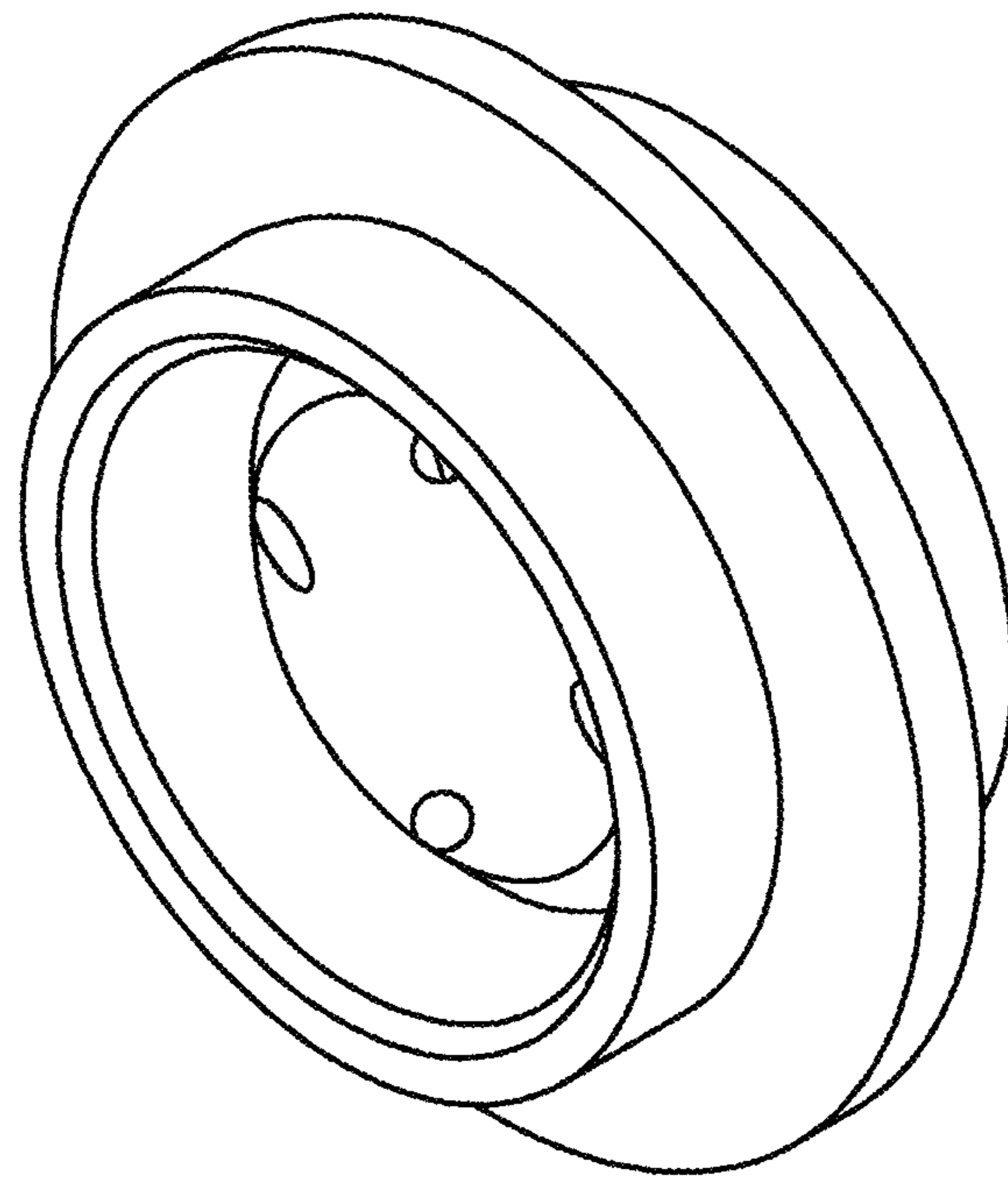


FIGURE 1

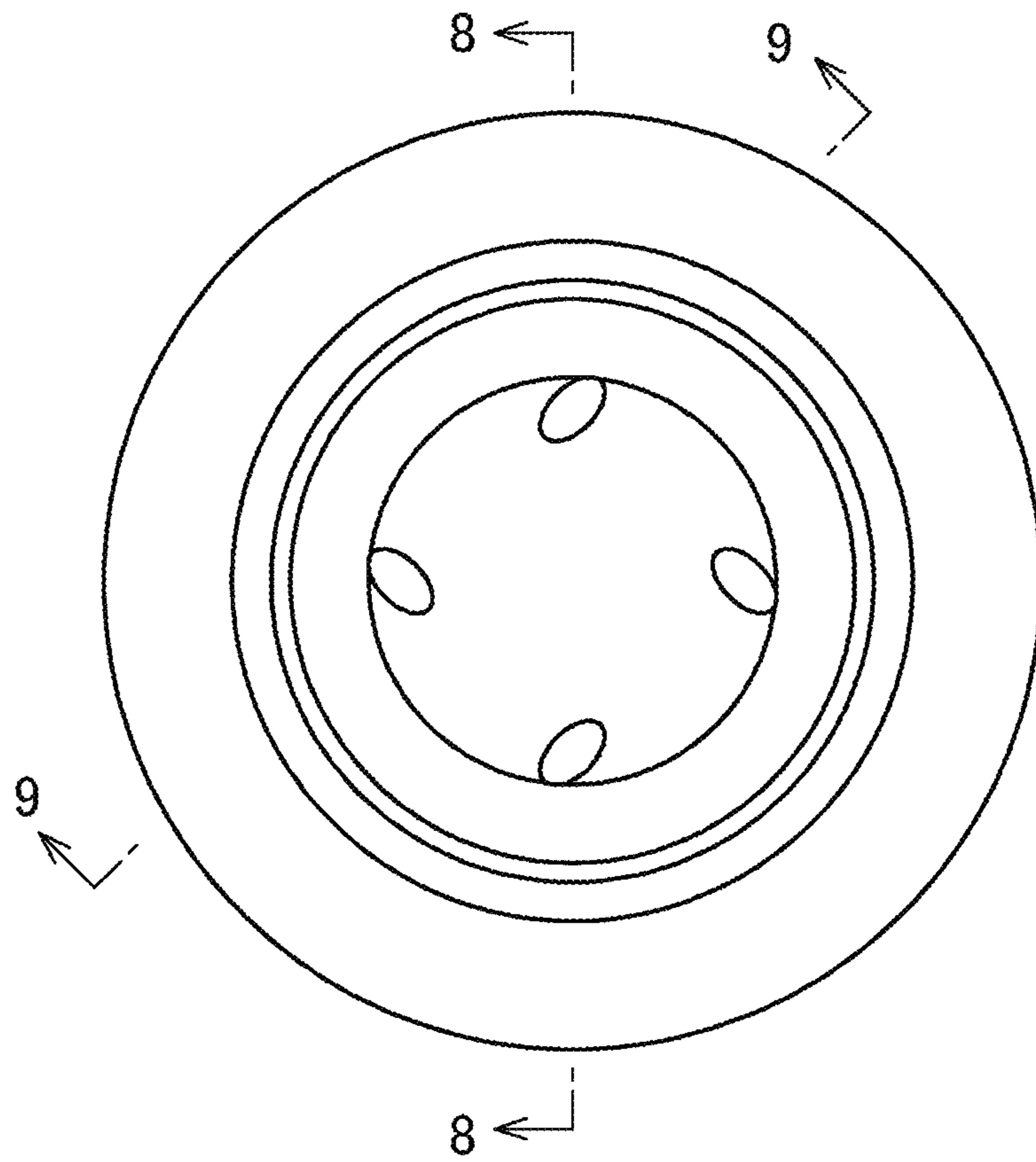


FIGURE 2

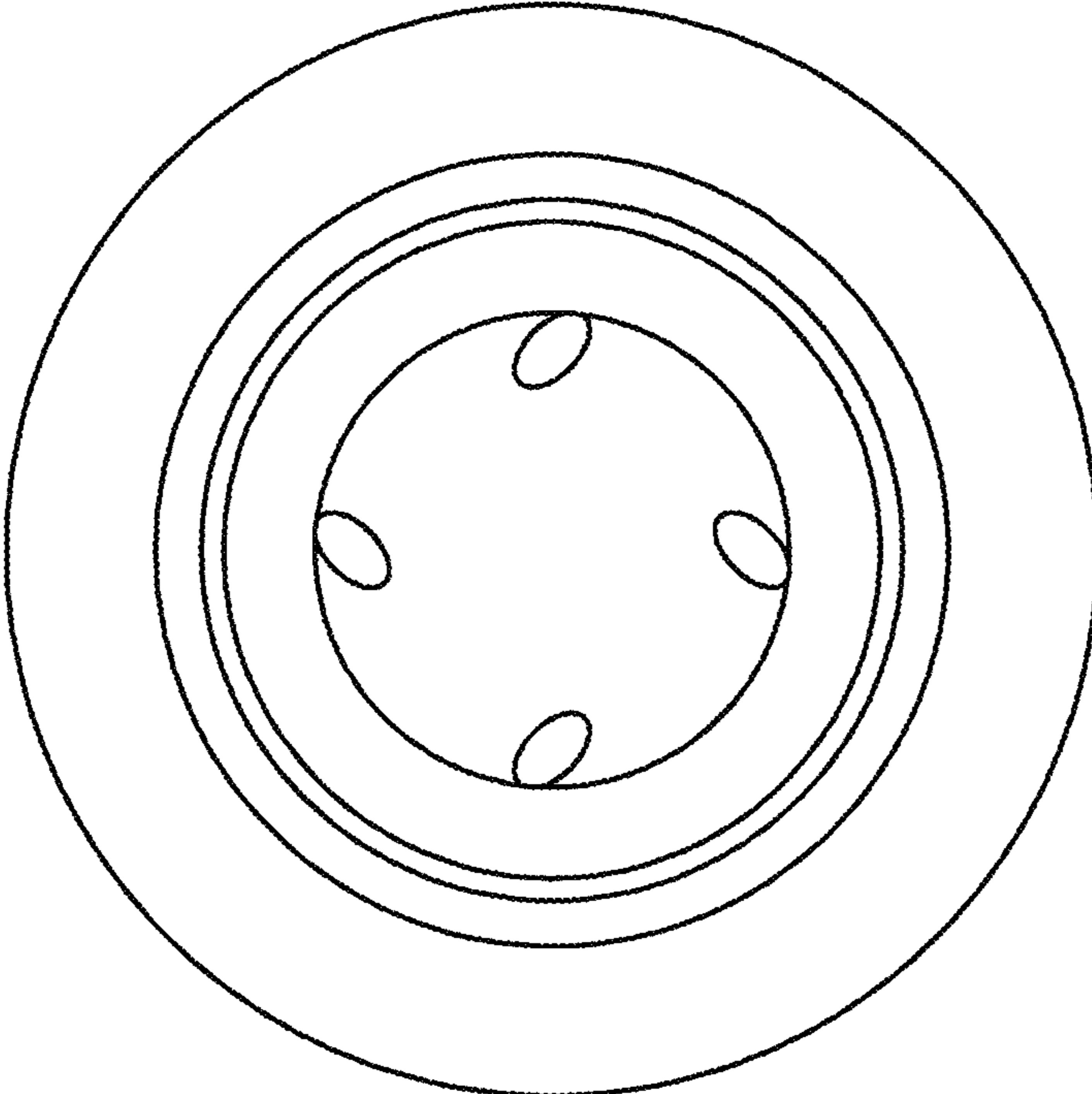


FIGURE 3

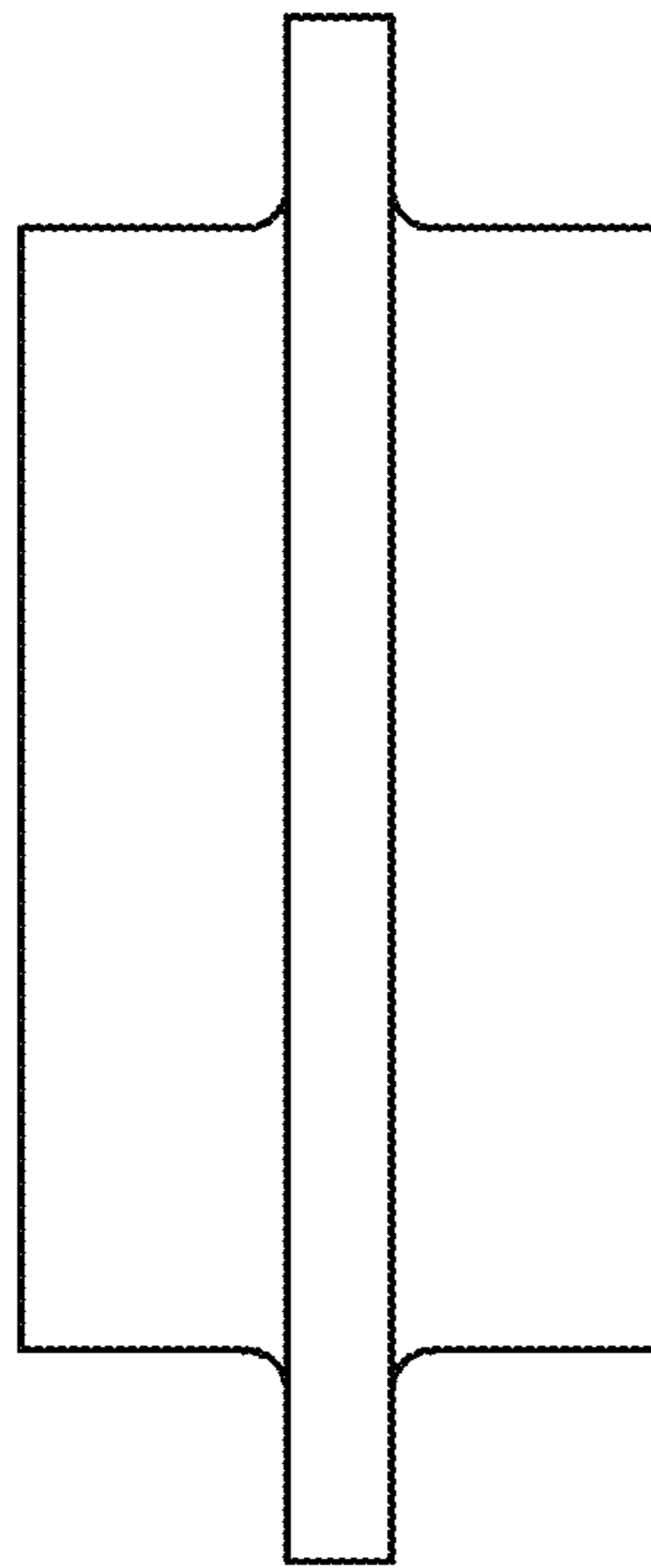


FIGURE 4

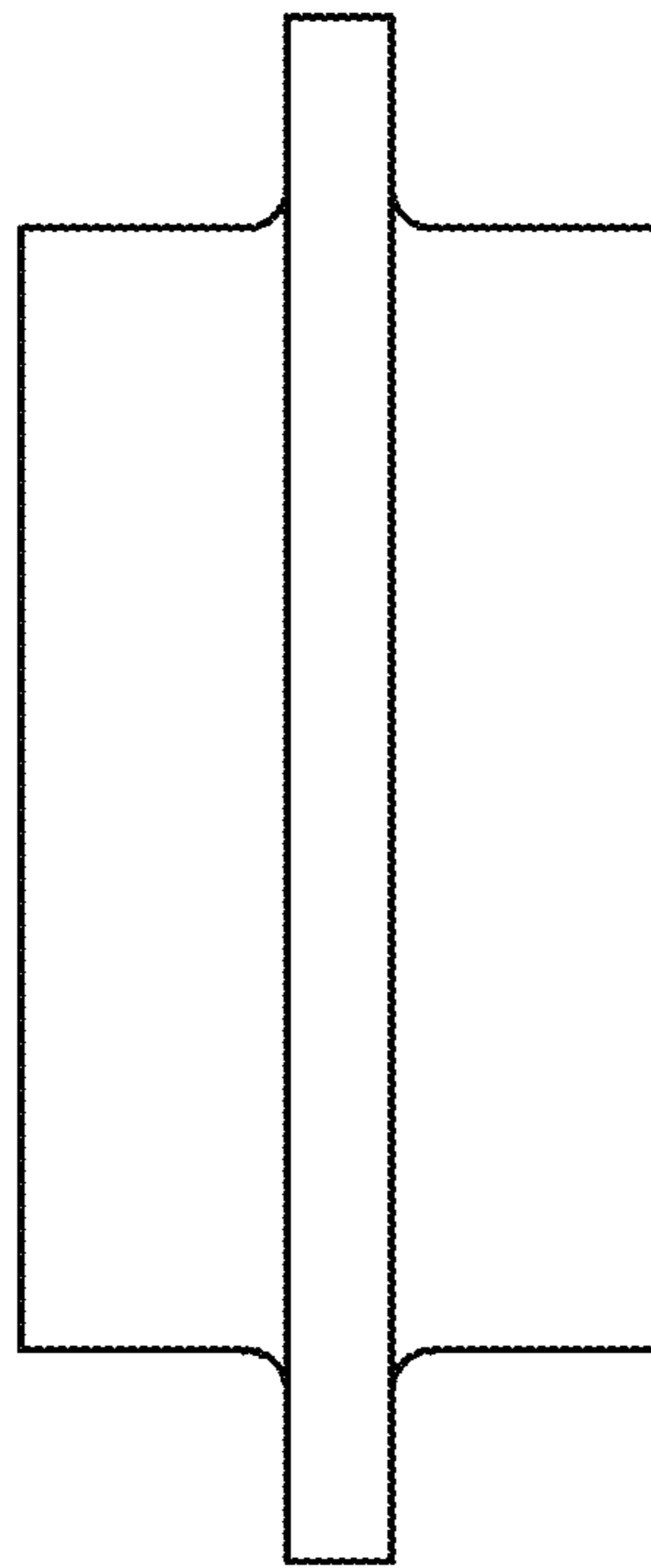


FIGURE 5

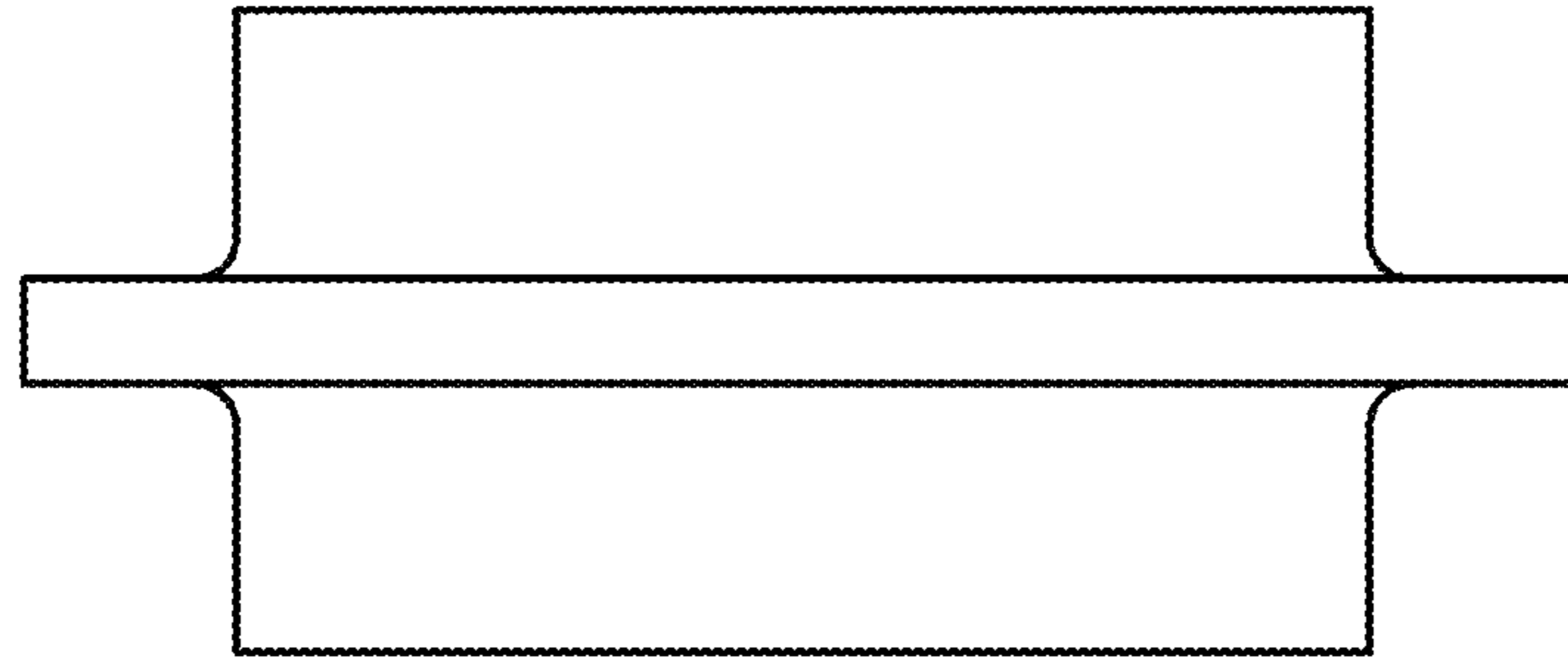


FIGURE 6

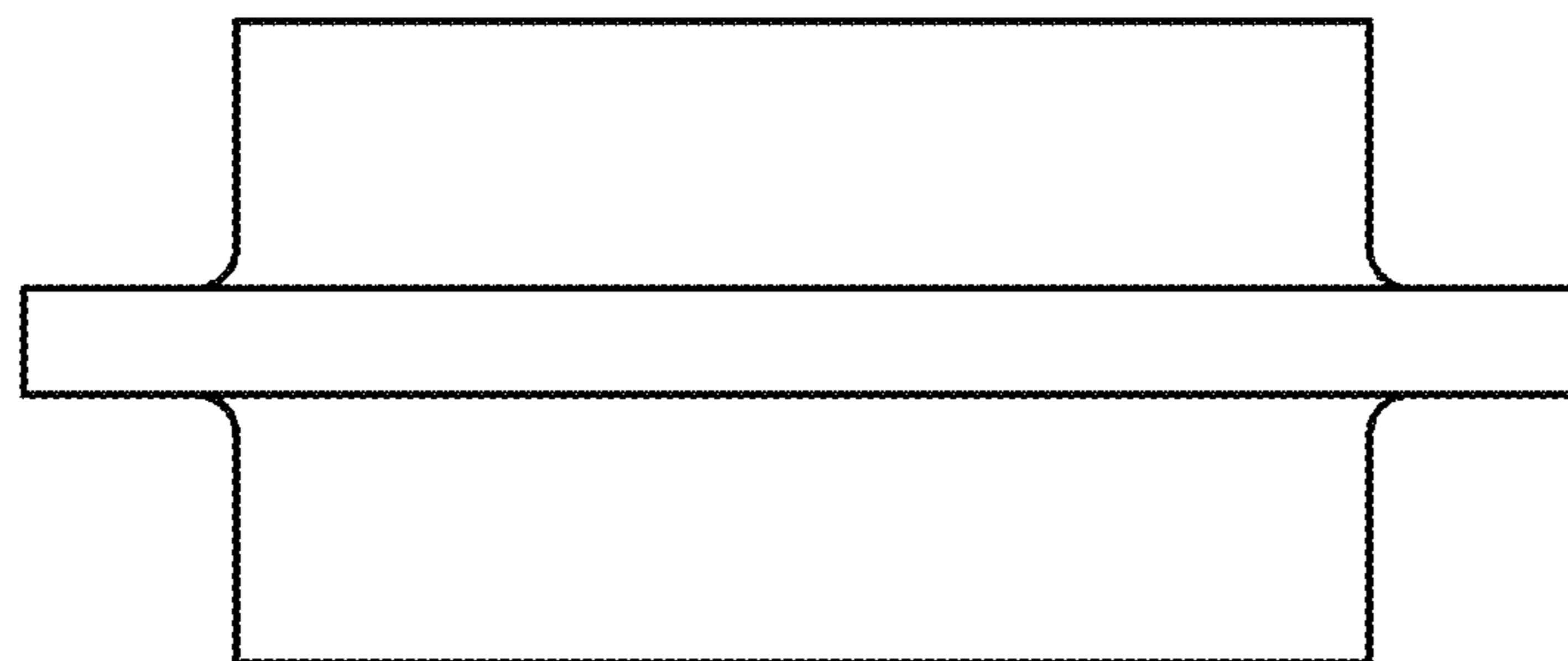


FIGURE 7

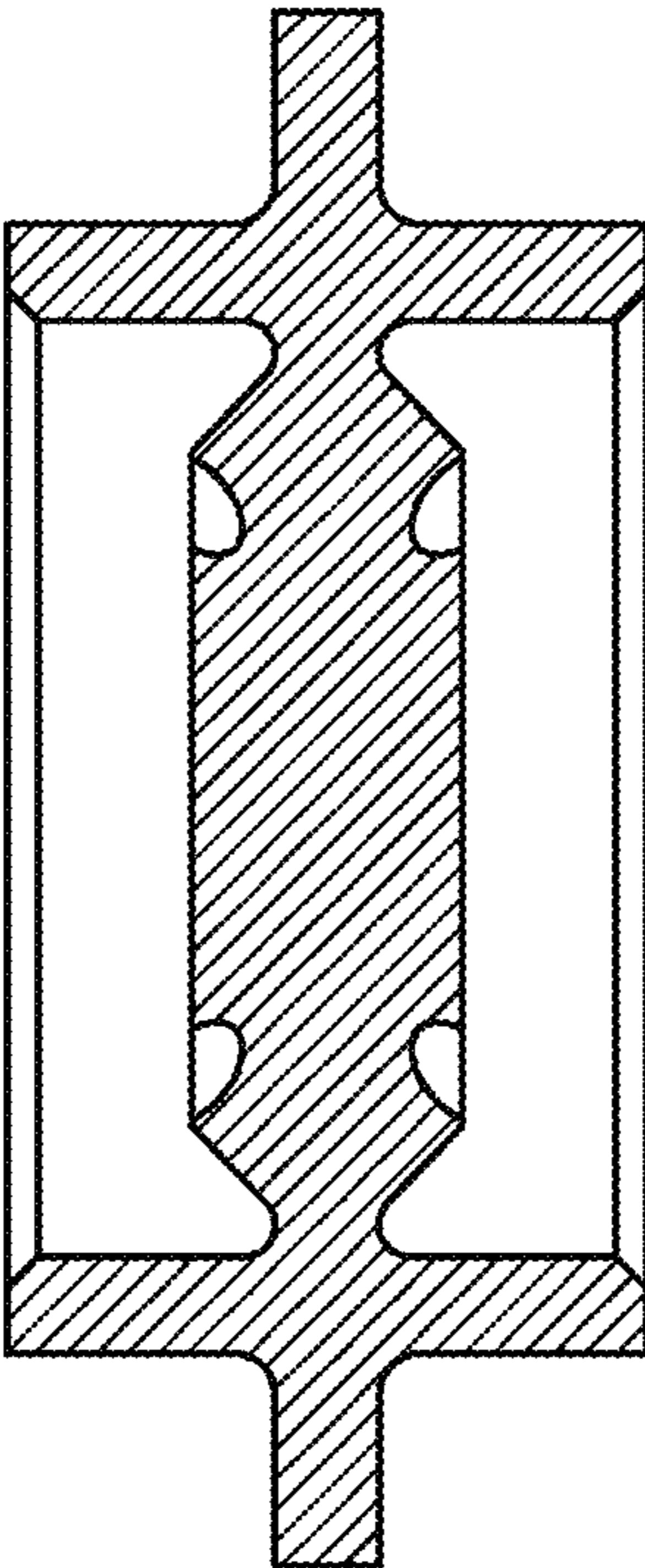


FIGURE 8

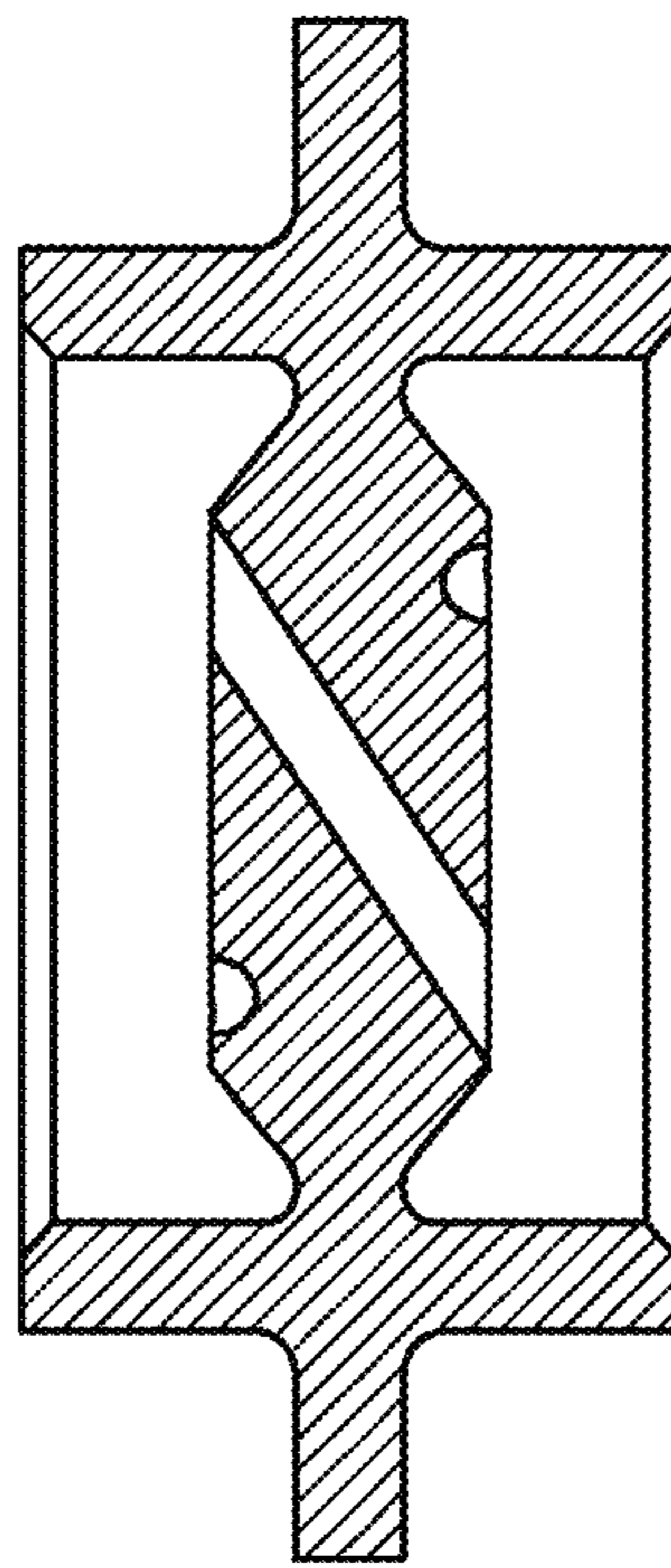


FIGURE 9