



US00D985738S

(12) **United States Design Patent**
Tropper

(10) **Patent No.:** **US D985,738 S**

(45) **Date of Patent:** **** May 9, 2023**

(54) **SQUARE PIPING ELBOW**

(71) Applicant: **LDR Global Industries, LLC,**
Matawan, NJ (US)

(72) Inventor: **Hillel Tropper,** Brooklyn, NY (US)

(**) Term: **15 Years**

(21) Appl. No.: **29/738,435**

(22) Filed: **Jun. 17, 2020**

(51) **LOC (14) Cl.** **23-01**

(52) **U.S. Cl.**
USPC **D23/263**

(58) **Field of Classification Search**

USPC D23/213, 223, 229, 233, 249, 259–269,
D23/365, 386, 387, 388, 397; D8/354,
D8/382, 396; D7/312, 313; D24/112,
D24/129

CPC F16L 1/00; F16L 1/036; F16L 9/00; F16L
9/003; F16L 9/006; F16L 11/00; F16L
11/122; F16L 13/00; F16L 13/002; F16L
13/146; F16L 15/00; F16L 23/00; F16L
23/14; F16L 23/0283; F16L 25/0009;
F16L 37/00; F16L 41/00; F16L 41/02;
F16L 41/025; F16L 43/00; F16L 47/26;
F16L 47/32; F16L 17/00; F16L 17/02;
F16L 17/025; F16L 17/035; F16L 17/06;
F16L 17/063; F16L 17/067; F16L 17/073;
F16L 17/08; F16L 21/00; F16L 21/022;
A47L 9/02; A47L 9/0416; A61M 39/00;
A61M 39/223; F16B 2/00; F16B 2/08;
F16B 7/00; F16B 7/04; F16B 7/0486;
F16B 7/0493; F16B 2012/103; F16B
12/40; F16B 21/00; F16B 21/02; F16B
23/00; F16B 23/0015; F16B 23/0046;
F16B 35/00; F16B 35/044; F16B 37/00;
F21V 35/00

See application file for complete search history.

(56) **References Cited**

U.S. PATENT DOCUMENTS

1,972,309	A *	9/1934	McMurchy	F16B 12/40 403/231
2,604,342	A *	7/1952	Holmes	F16B 12/40 403/219
3,386,590	A *	6/1968	Gretz	F21V 35/00 D6/702
3,666,298	A *	5/1972	Reilly	F16B 12/40 403/172
D584,386	S *	1/2009	Zelko	D23/263
D856,781	S *	8/2019	Hendry	D8/354
2010/0052311	A1 *	3/2010	Nicolazzo	F16L 43/00 285/39
2021/0145172	A1 *	5/2021	Cecol	F16B 12/40

* cited by examiner

Primary Examiner — Gino Colan

Assistant Examiner — David OBrien

(74) *Attorney, Agent, or Firm* — Weiss & Arons LLP

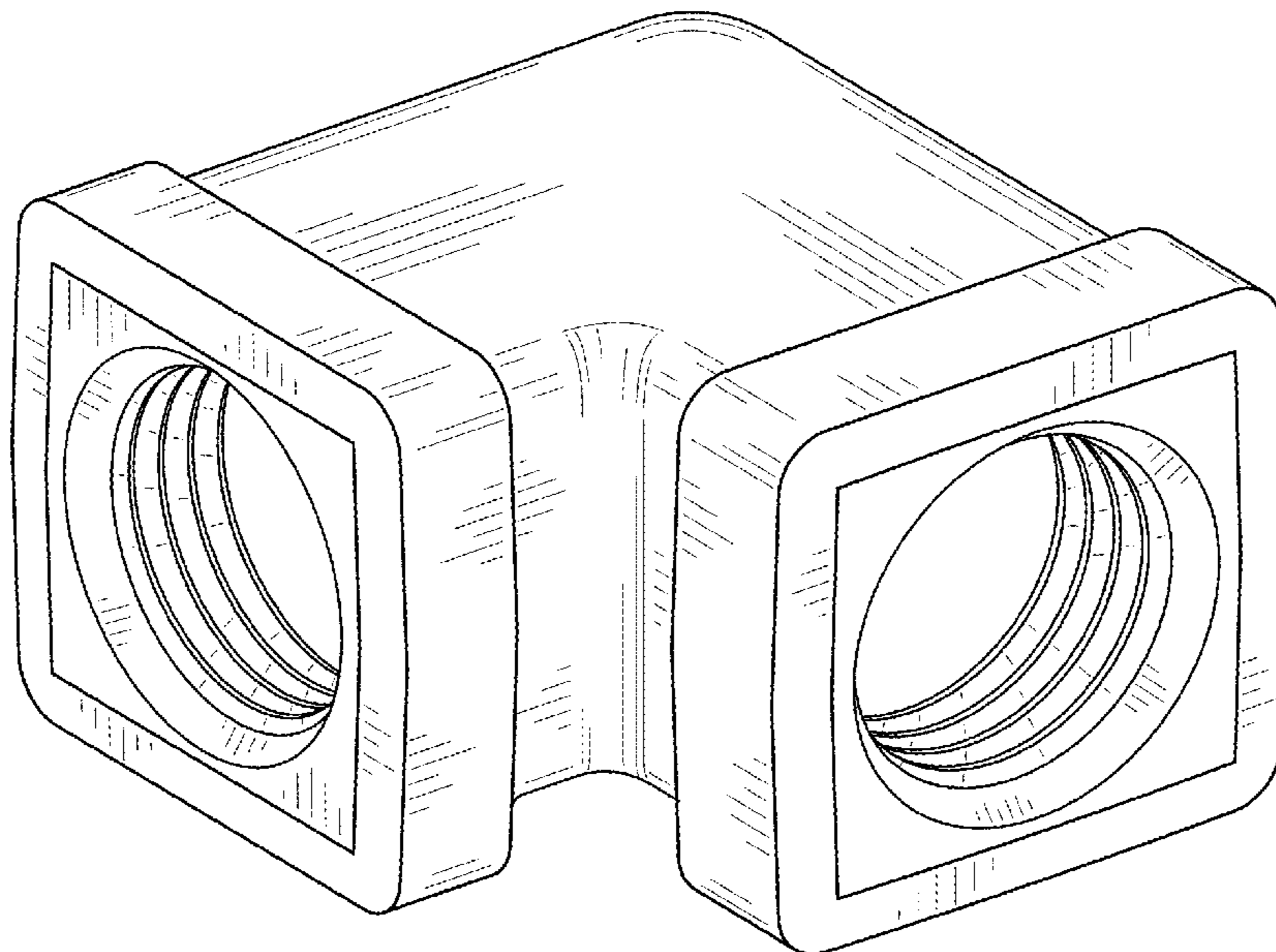
(57) **CLAIM**

The ornamental design for a square piping elbow, as shown and described.

DESCRIPTION

FIG. 1 is a side perspective view of the square piping elbow; FIG. 2 is a front face view of the square piping elbow; FIG. 3 is a back face view of the square piping elbow; FIG. 4 is a left face view of the square piping elbow; FIG. 5 is a right face view of the square piping elbow; FIG. 6 is a top face view of the square piping elbow; and, FIG. 7 is a bottom face view of the square piping elbow.

1 Claim, 7 Drawing Sheets



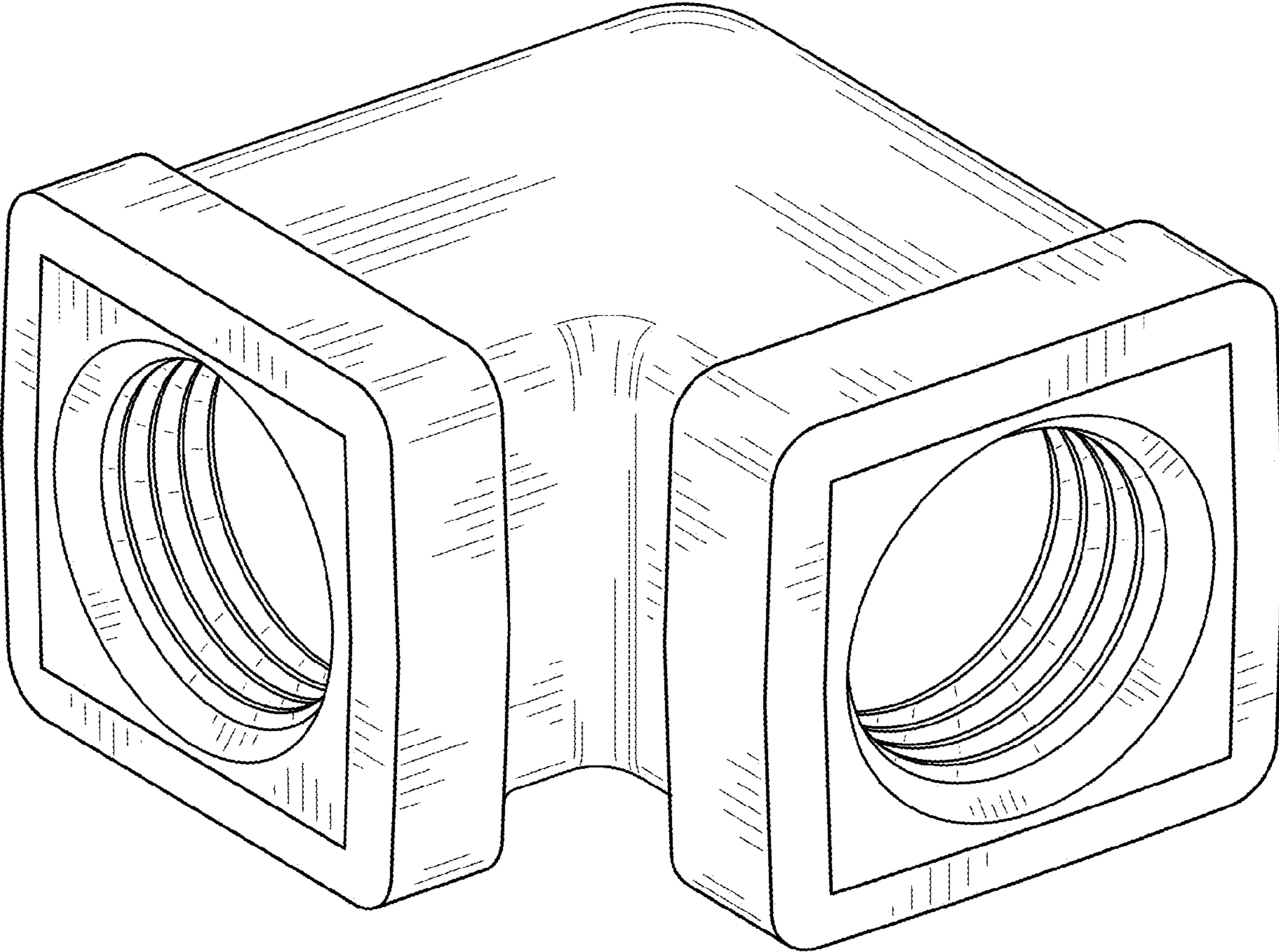


FIG. 1

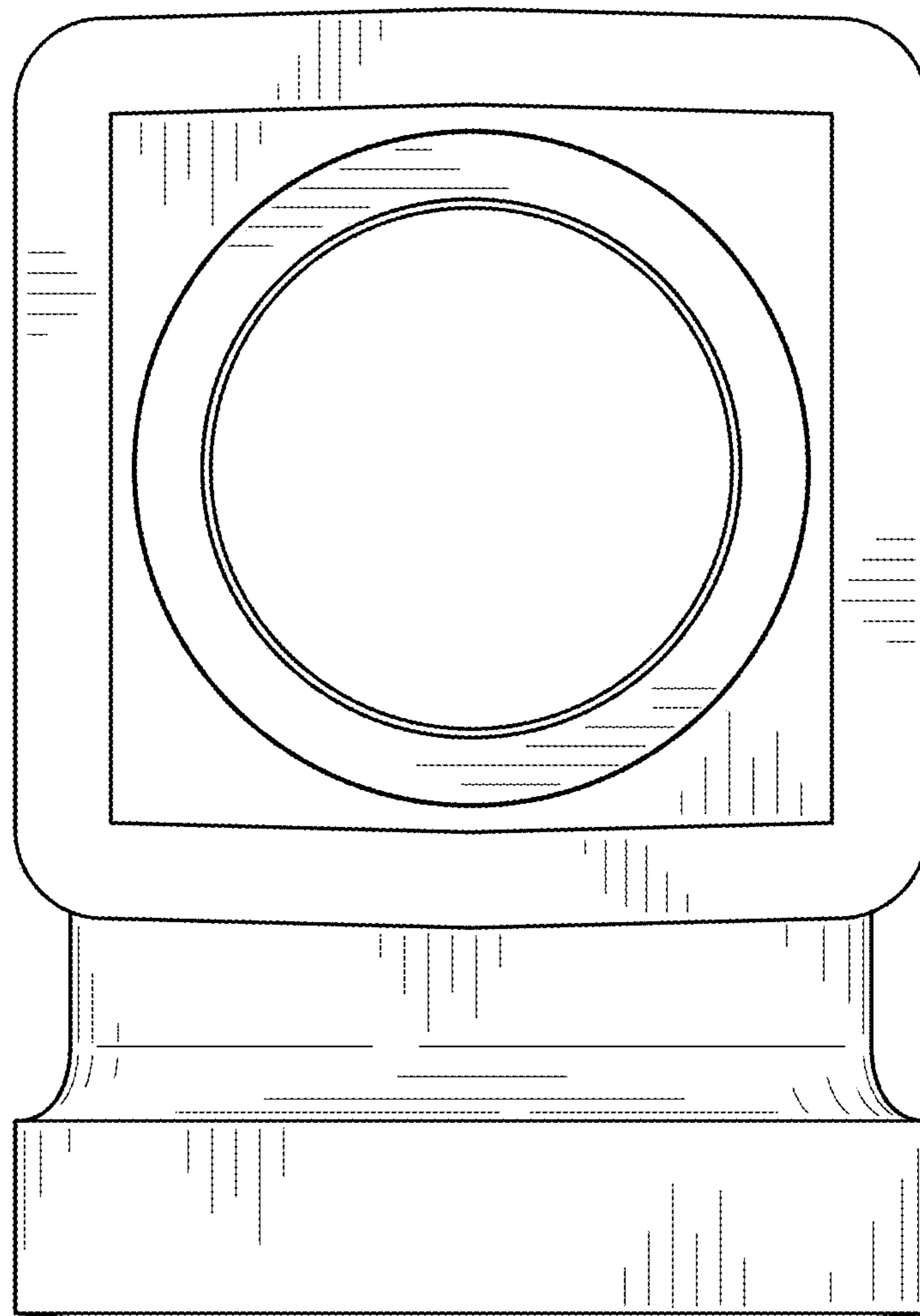


FIG. 2

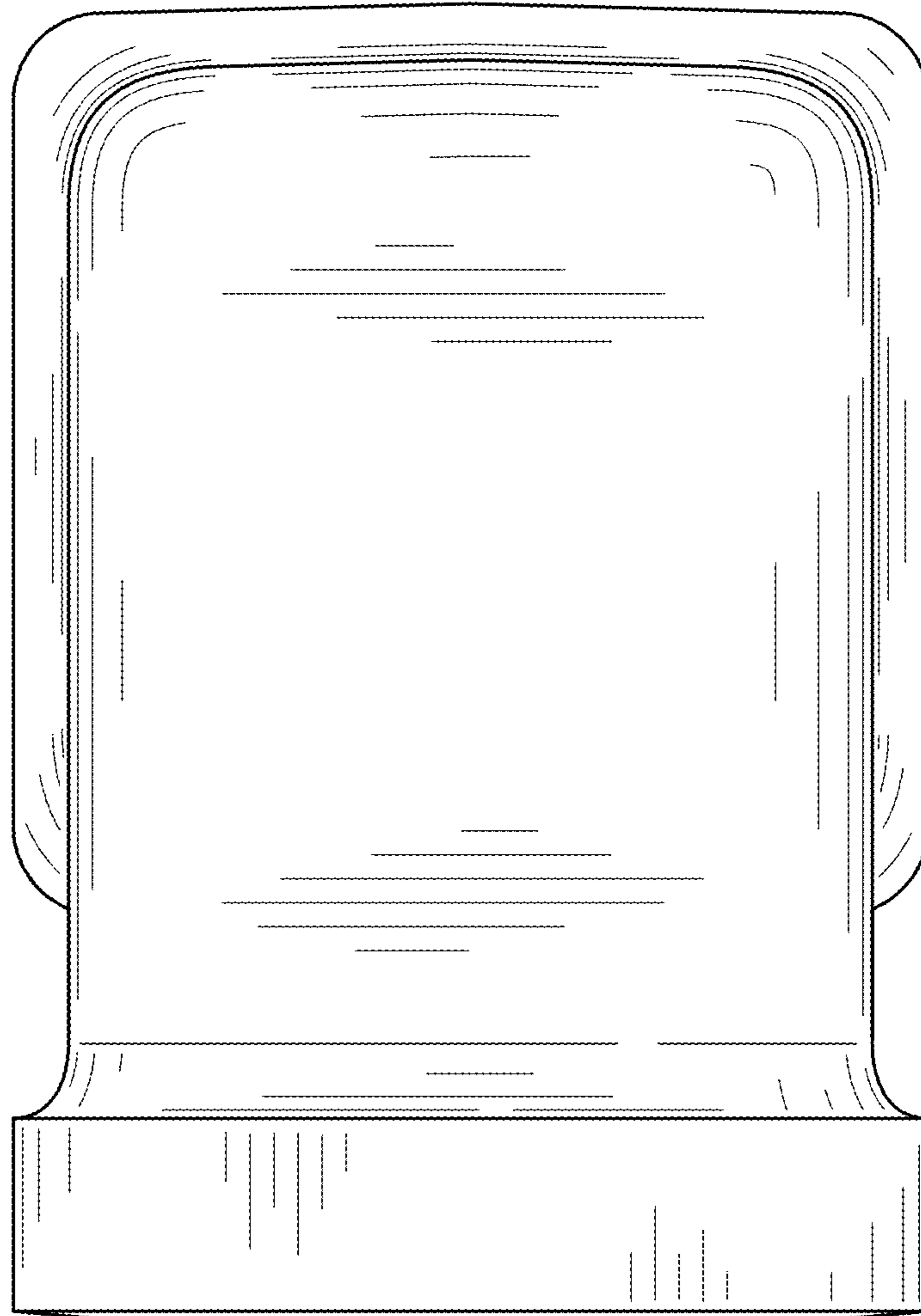


FIG. 3

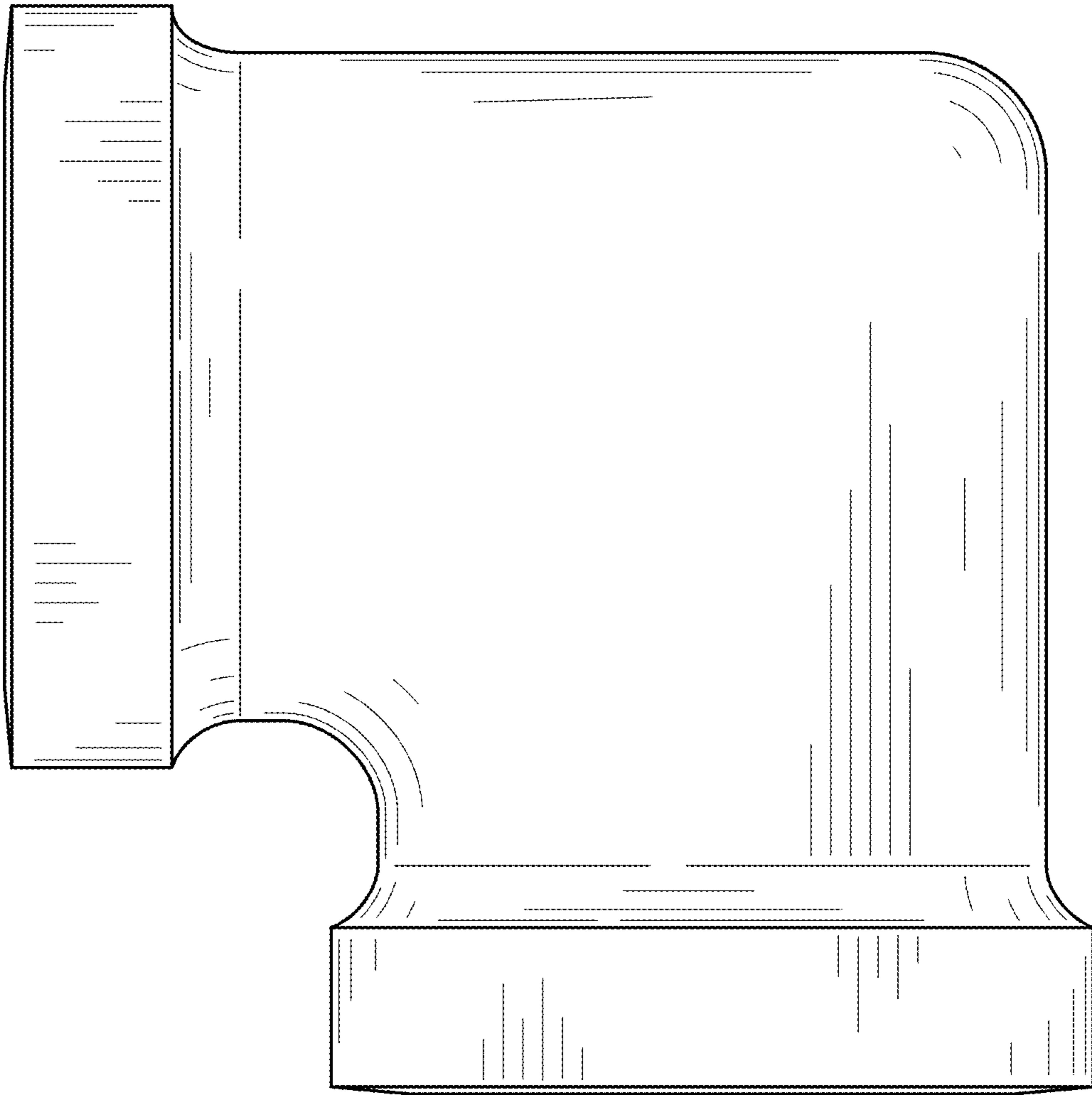


FIG. 4

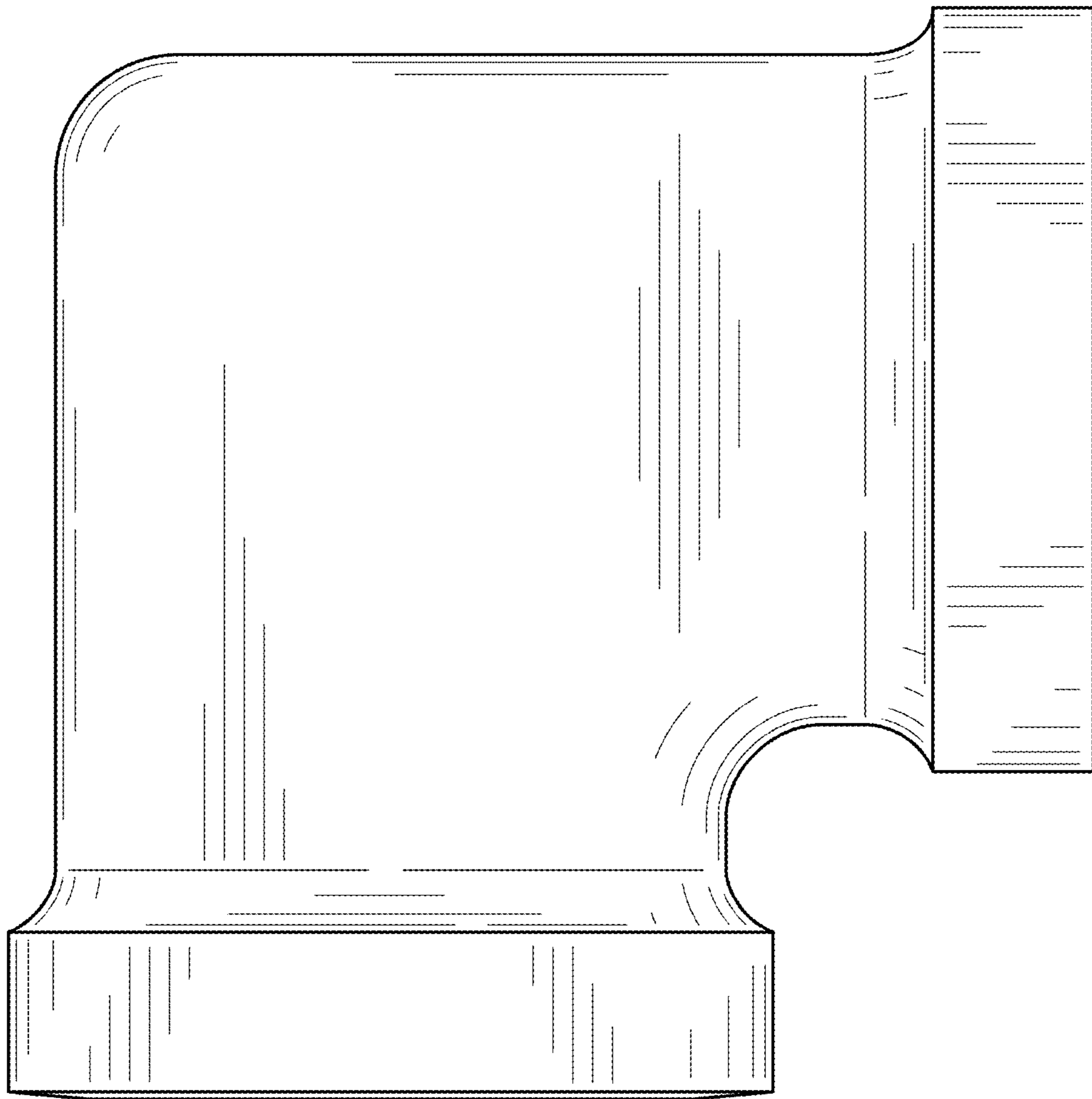


FIG. 5

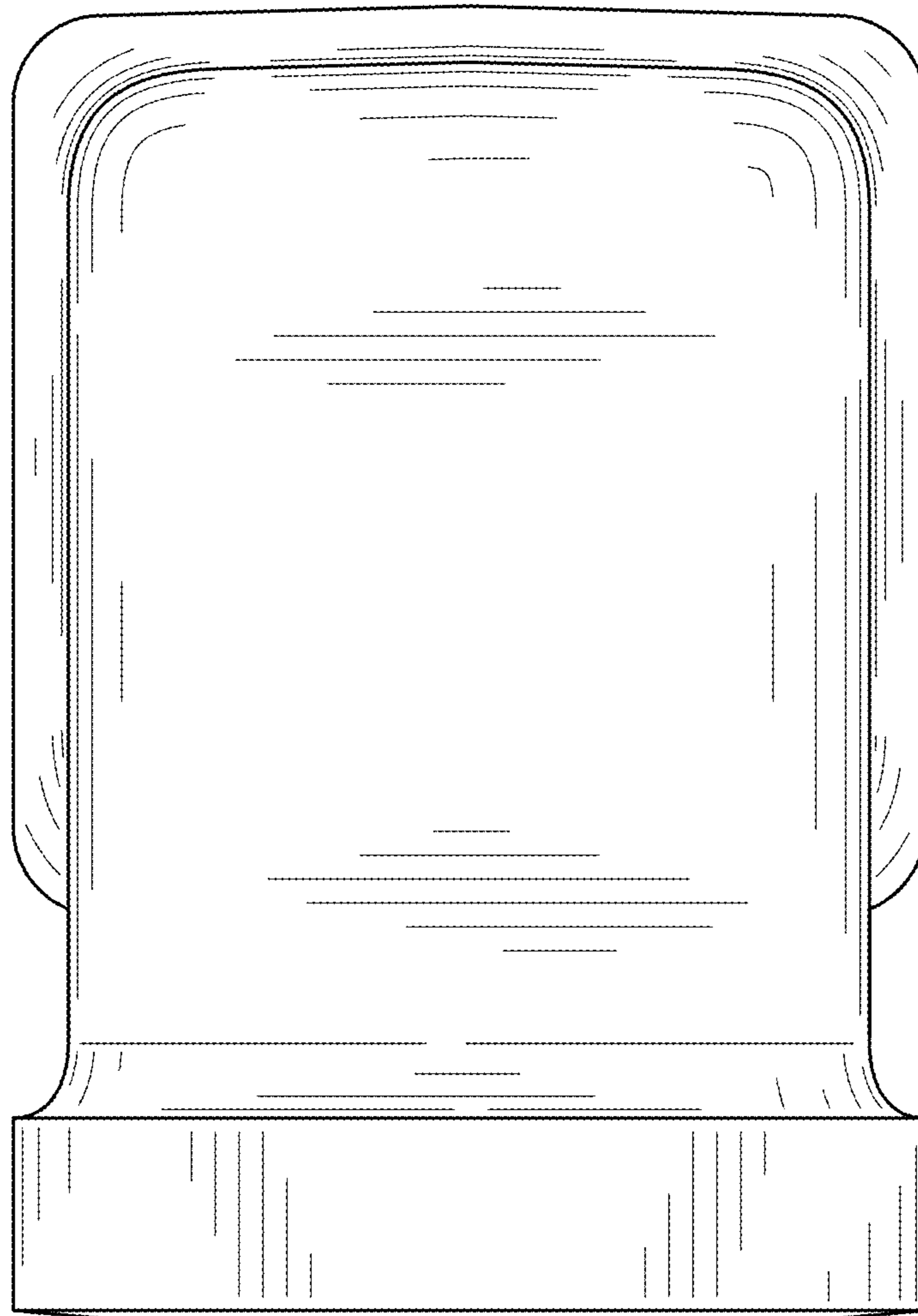


FIG. 6

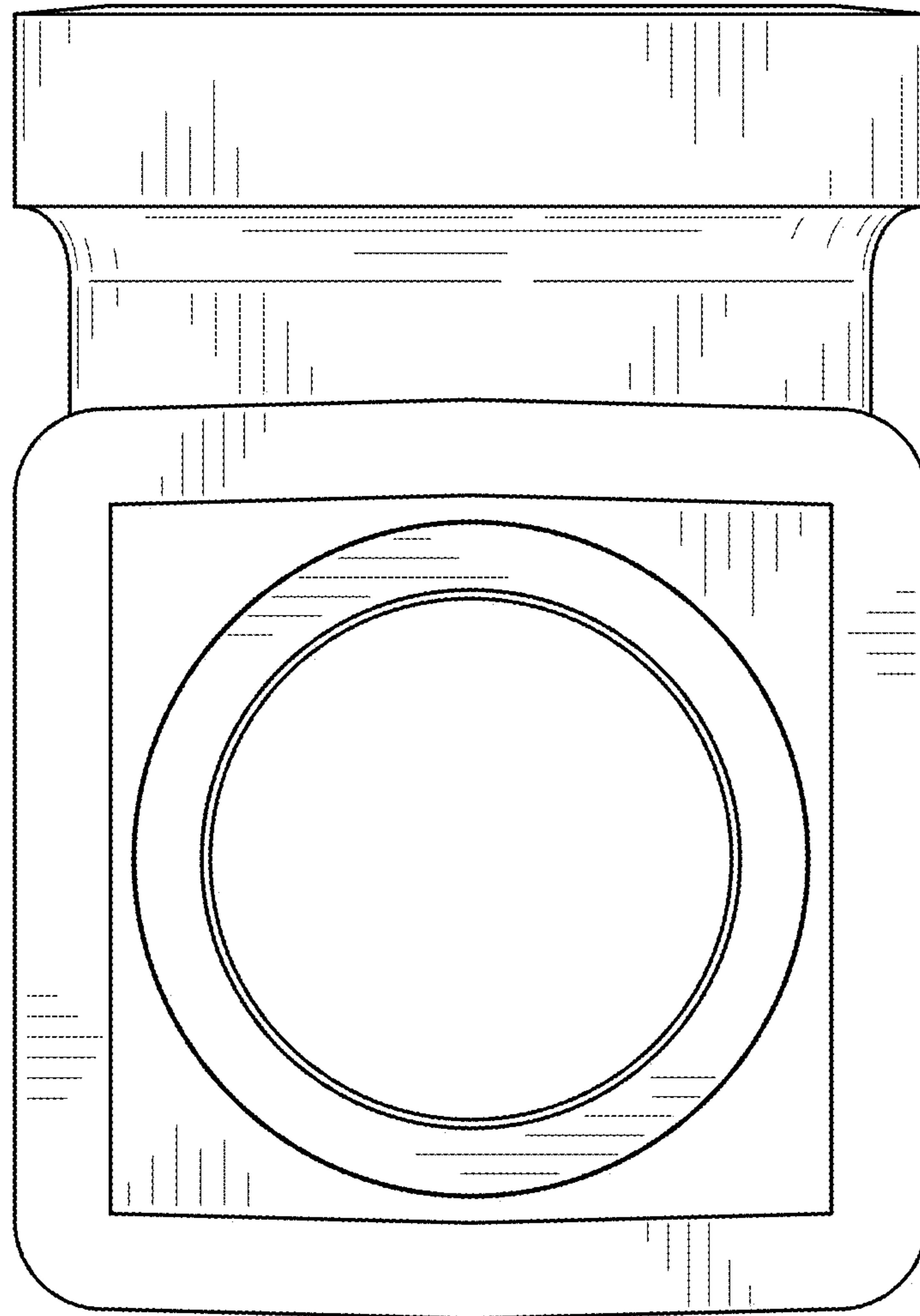


FIG. 7