



US00D985736S

(12) **United States Design Patent** (10) **Patent No.:** **US D985,736 S**  
**Upadhyaya** (45) **Date of Patent:** **\*\* May 9, 2023**

(54) **FAUCET HANDLE**

D967,342 S \* 10/2022 Liao ..... D23/252  
2020/0157787 A1\* 5/2020 Benstead ..... E03C 1/0402

(71) Applicant: **DELTA FAUCET COMPANY,**  
Indianapolis, IN (US)

\* cited by examiner

(72) Inventor: **Alexandra Upadhyaya,** Midlothian, VA  
(US)

*Primary Examiner* — Robert A Delehanty

(74) *Attorney, Agent, or Firm* — Jeffrey L. Doyle

(73) Assignee: **DELTA FAUCET COMPANY,**  
Indianapolis, IN (US)

(57) **CLAIM**

(\*\*) Term: **15 Years**

The ornamental design for a faucet handle, as shown and described.

(21) Appl. No.: **29/779,553**

(22) Filed: **Apr. 20, 2021**

(51) **LOC (14) Cl.** ..... **23-01**

(52) **U.S. Cl.**

USPC ..... **D23/252**

(58) **Field of Classification Search**

USPC ..... D23/238–243, 250, 252, 254–255, 257;  
D8/307–308

See application file for complete search history.

**DESCRIPTION**

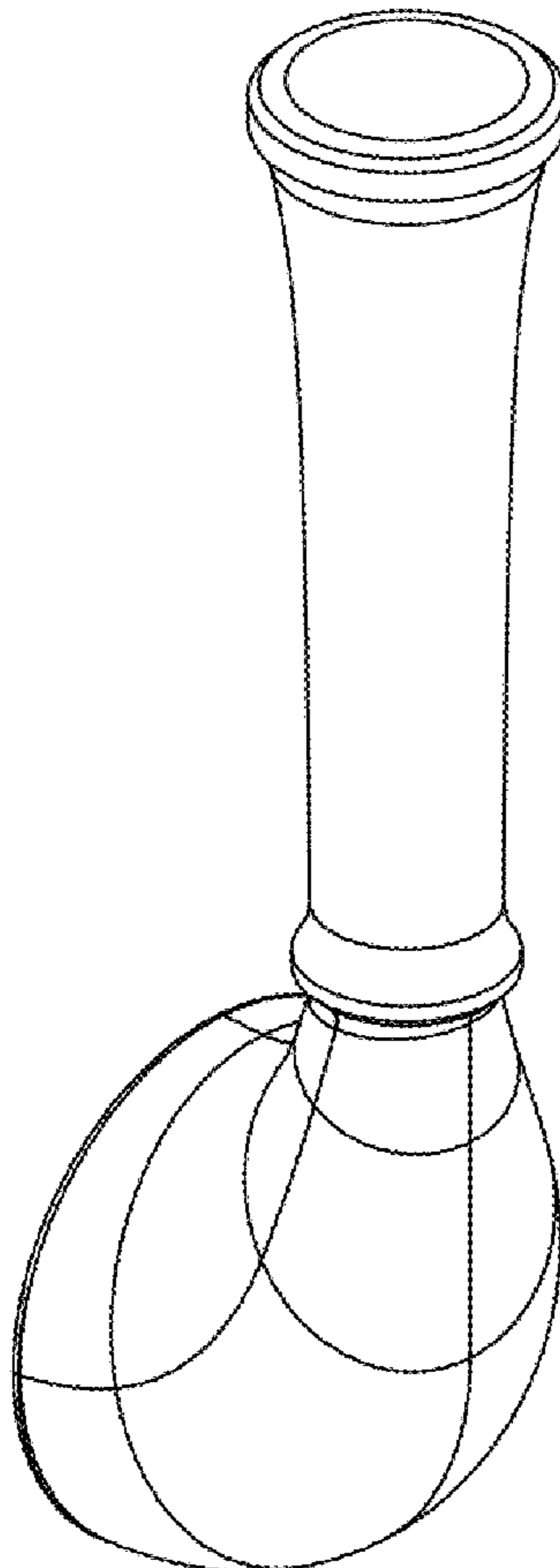
FIG. 1 is a front perspective view of a faucet handle showing my new design;  
FIG. 2 is a rear perspective view thereof;  
FIG. 3 is a front elevational view thereof;  
FIG. 4 is a left side view thereof;  
FIG. 5 is a rear view thereof;  
FIG. 6 is a right side view thereof;  
FIG. 7 is a top plan view thereof; and,  
FIG. 8 is a bottom view thereof.

(56) **References Cited**

**U.S. PATENT DOCUMENTS**

D812,723 S \* 3/2018 Georgeson ..... D23/252  
D957,579 S \* 7/2022 Staler ..... D23/252

**1 Claim, 4 Drawing Sheets**



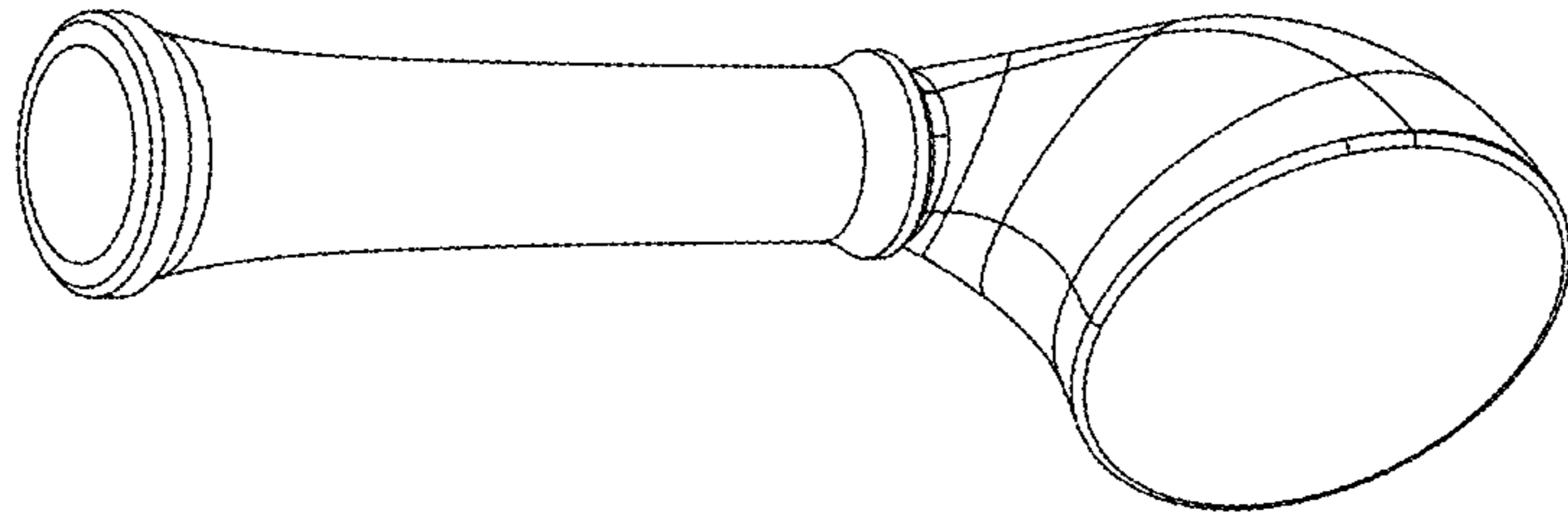


FIG - 2

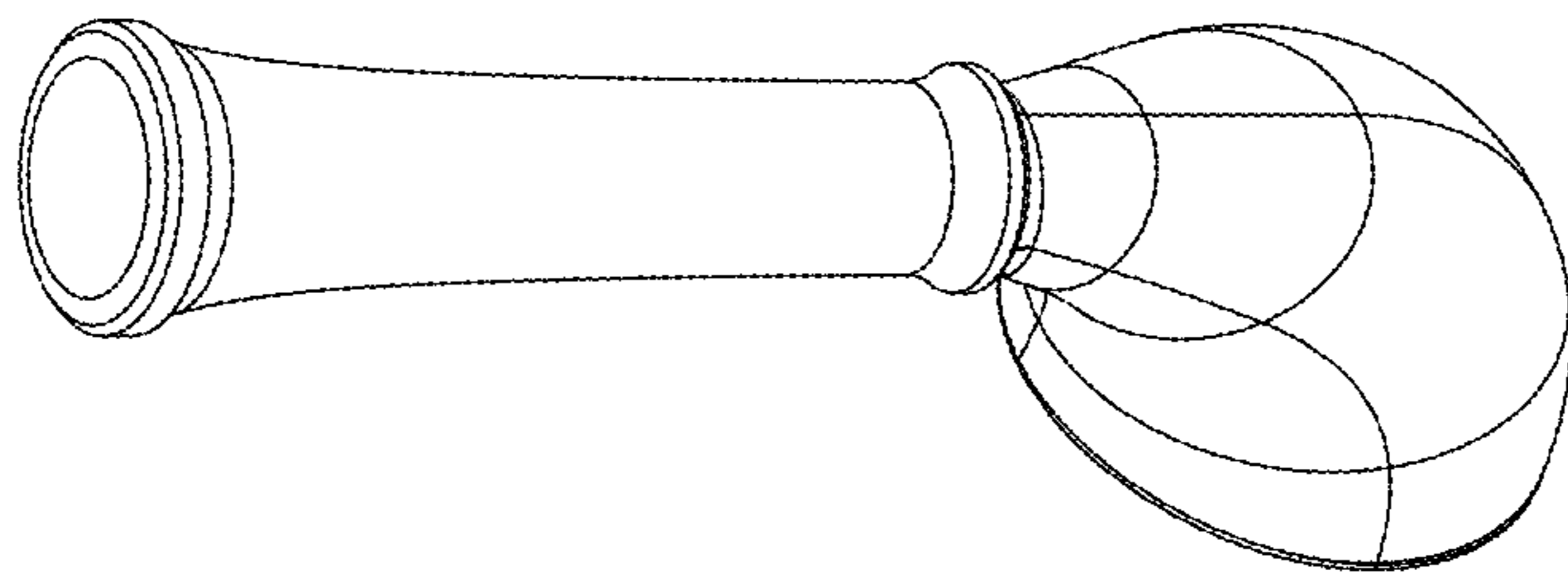


FIG - 1

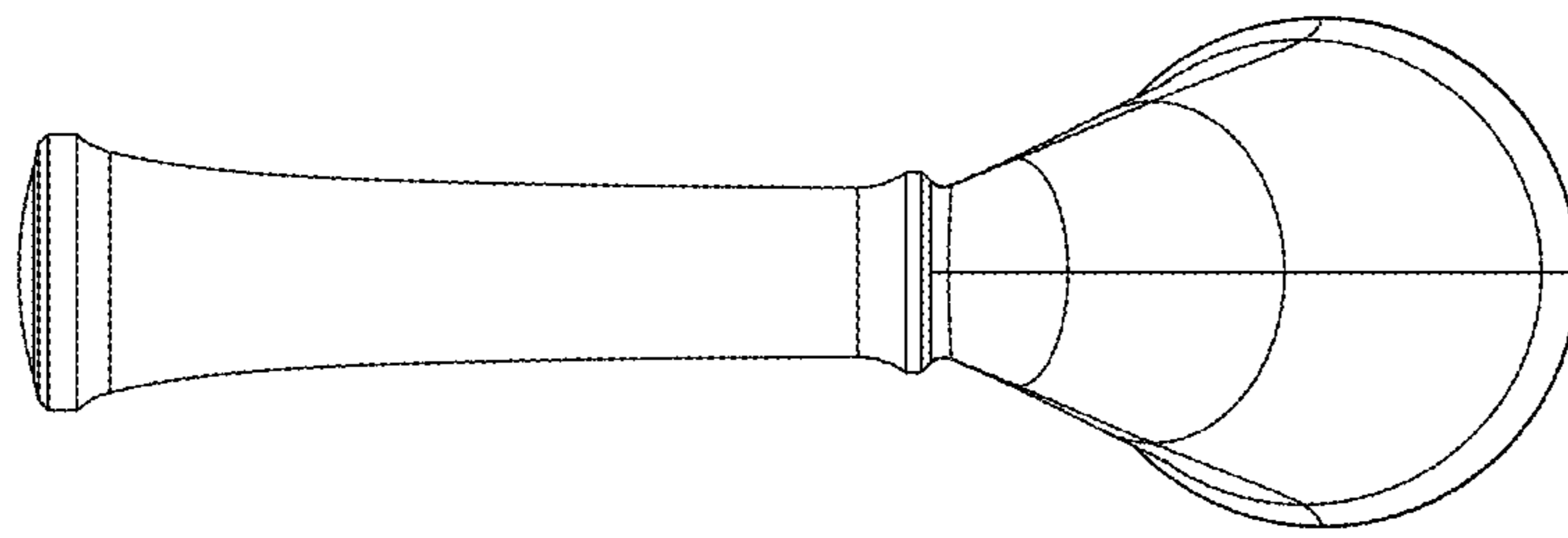


FIG - 4

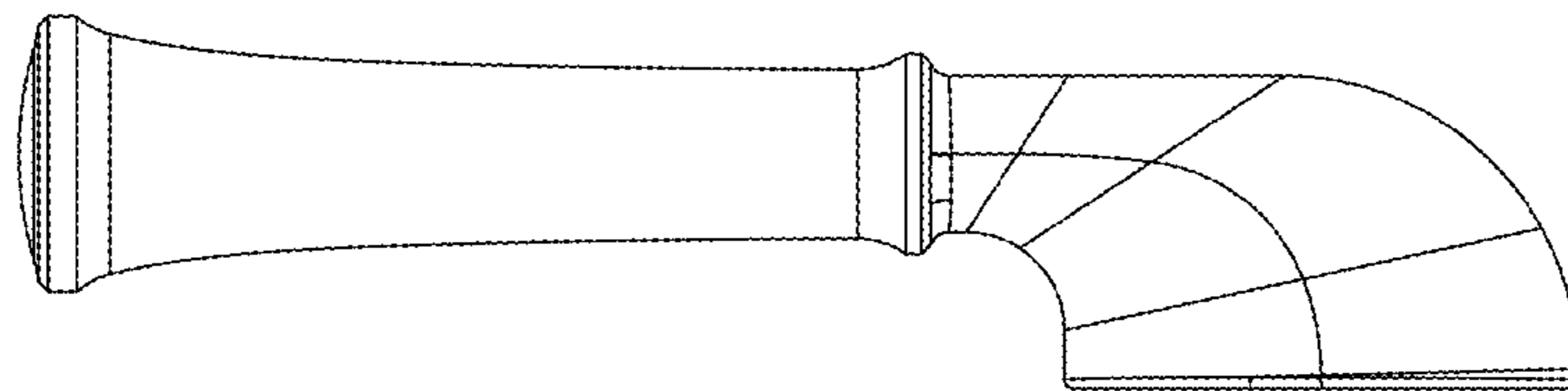


FIG - 3

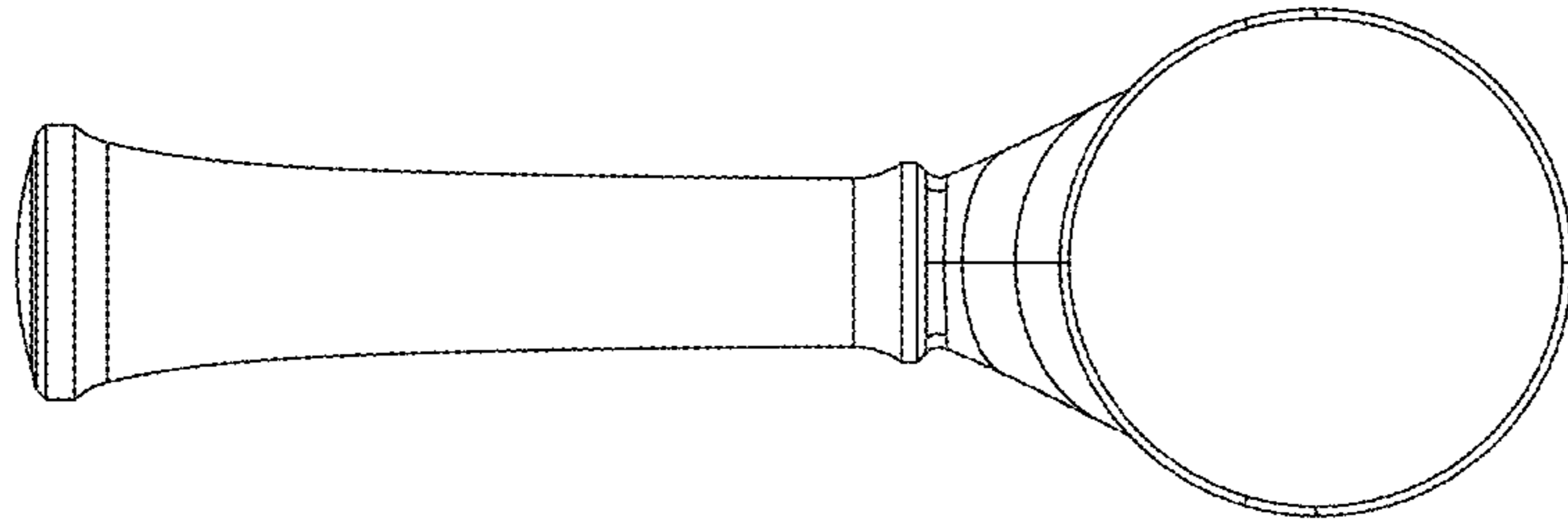


FIG - 6

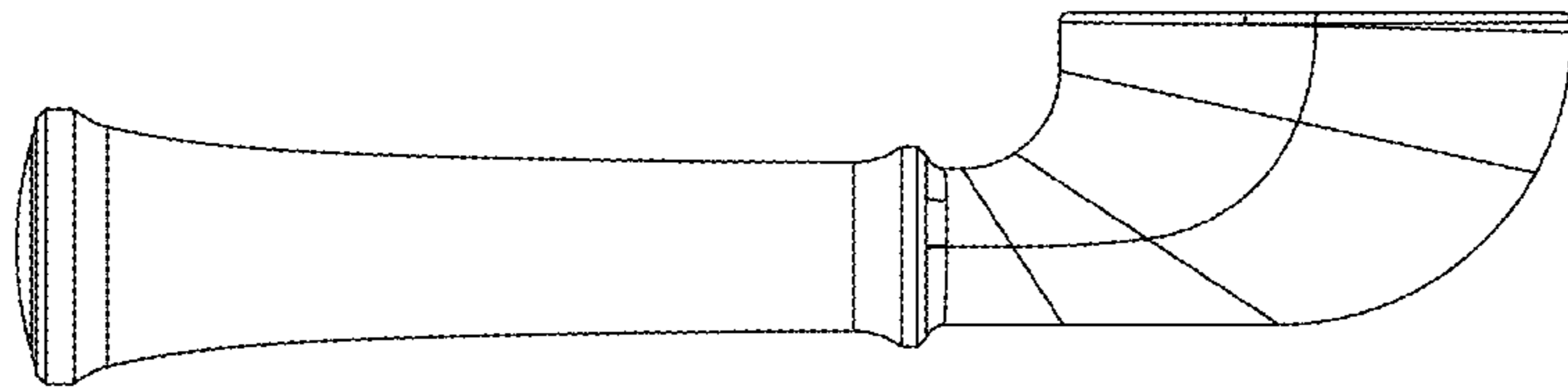


FIG - 5

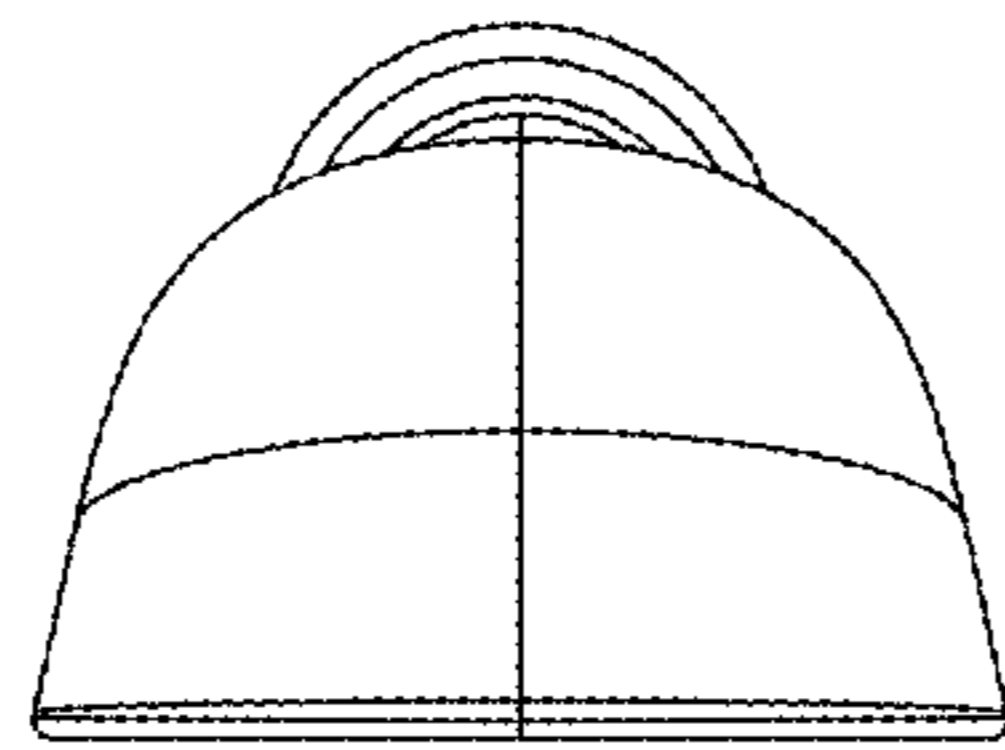


FIG - 8

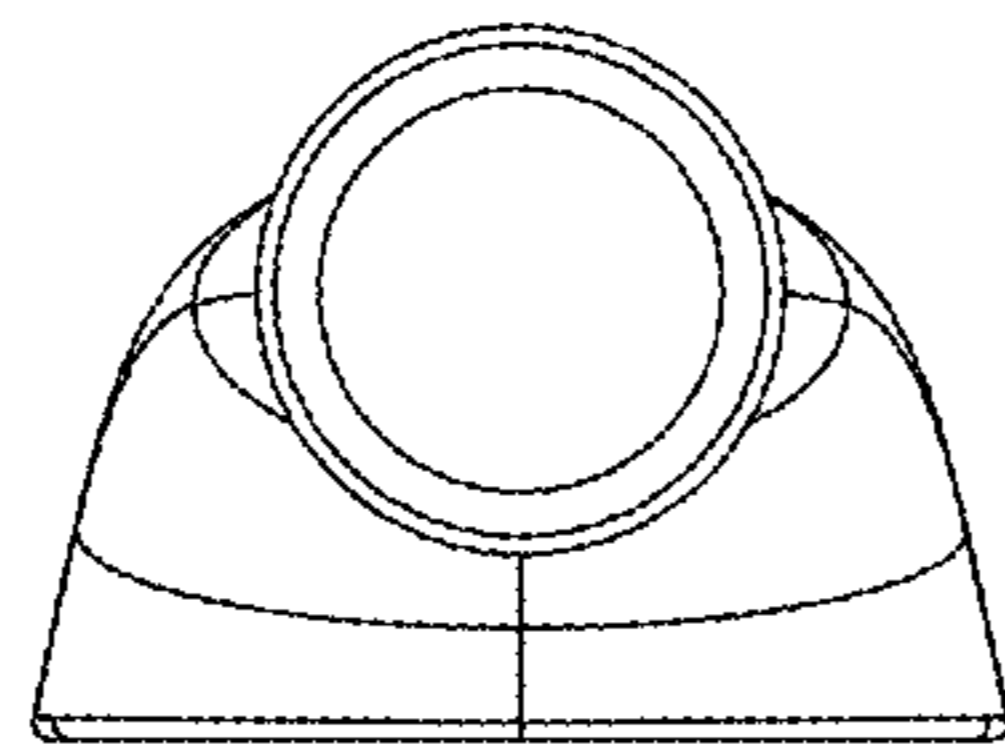


FIG - 7