



US00D985735S

(12) **United States Design Patent**
Lazarini

(10) **Patent No.:** **US D985,735 S**
(45) **Date of Patent:** **** May 9, 2023**

(54) **FAUCET HANDLE**

(71) Applicant: **DELTA FAUCET COMPANY,**
Indianapolis, IN (US)

(72) Inventor: **Alejandra Lazarini,** Carmel, IN (US)

(73) Assignee: **DELTA FAUCET COMPANY,**
Indianapolis, IN (US)

(**) Term: **15 Years**

(21) Appl. No.: **29/777,780**

(22) Filed: **Apr. 8, 2021**

(51) **LOC (14) Cl.** **23-01**

(52) **U.S. Cl.**
USPC **D23/252**

(58) **Field of Classification Search**
USPC D23/238-243, 250, 252, 254-255, 257;
D8/307-308

See application file for complete search history.

(56) **References Cited**

U.S. PATENT DOCUMENTS

D862,657 S * 10/2019 Bahler D23/252
D921,846 S * 6/2021 Lazarini D23/252

D925,008 S * 7/2021 Stoler D23/252
D936,184 S * 11/2021 Lazarini D23/252
D954,220 S * 6/2022 Para D23/252
D954,911 S * 6/2022 Witt D23/254

* cited by examiner

Primary Examiner — Robert A Delehanty

(74) *Attorney, Agent, or Firm* — Jeffrey L. Doyle

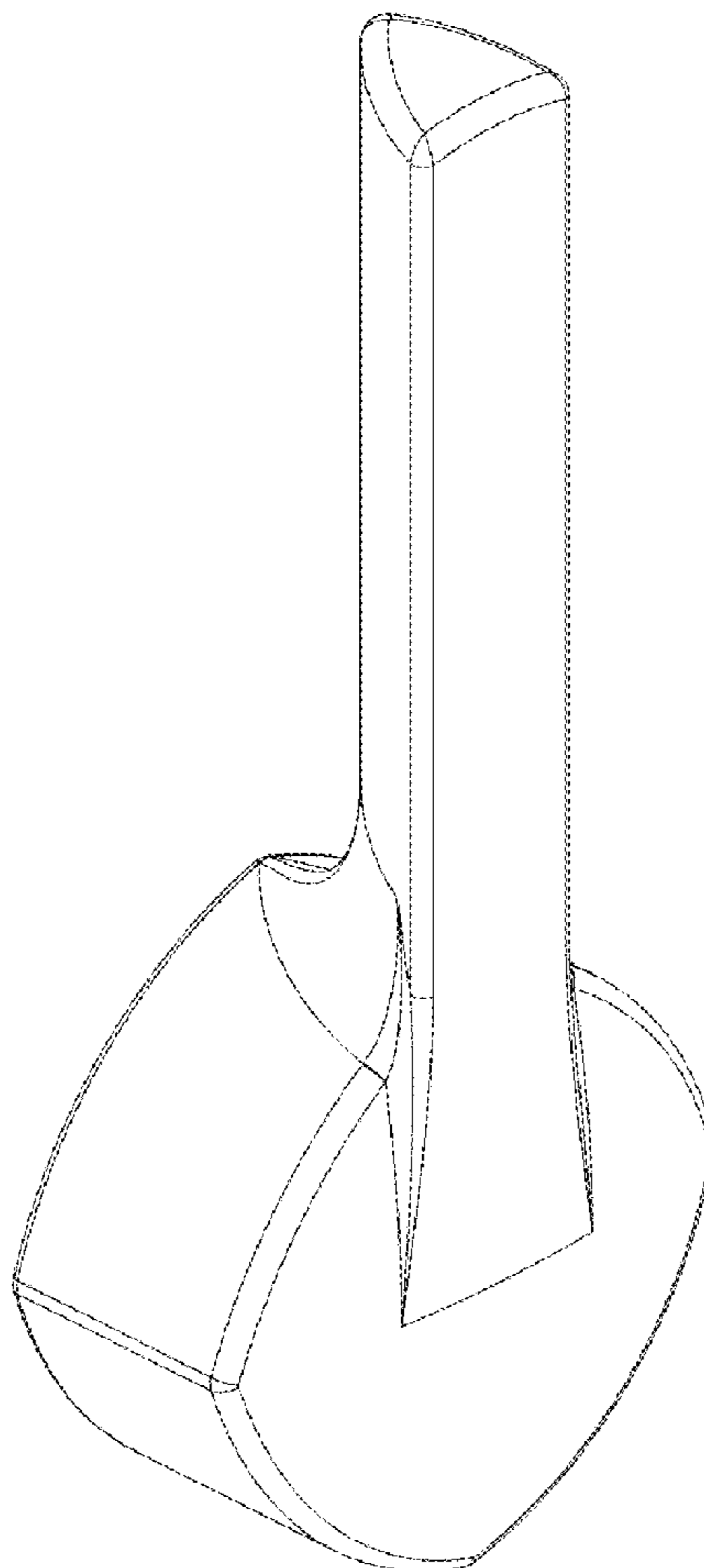
(57) **CLAIM**

The ornamental design for a faucet handle, as shown and described.

DESCRIPTION

FIG. 1 is a front perspective view of a faucet handle showing my new design;
FIG. 2 is a rear perspective view thereof;
FIG. 3 is a front elevational view thereof;
FIG. 4 is a left side view thereof;
FIG. 5 is a rear view thereof;
FIG. 6 is a right side view thereof;
FIG. 7 is a top plan view thereof; and,
FIG. 8 is a bottom view thereof.

1 Claim, 4 Drawing Sheets



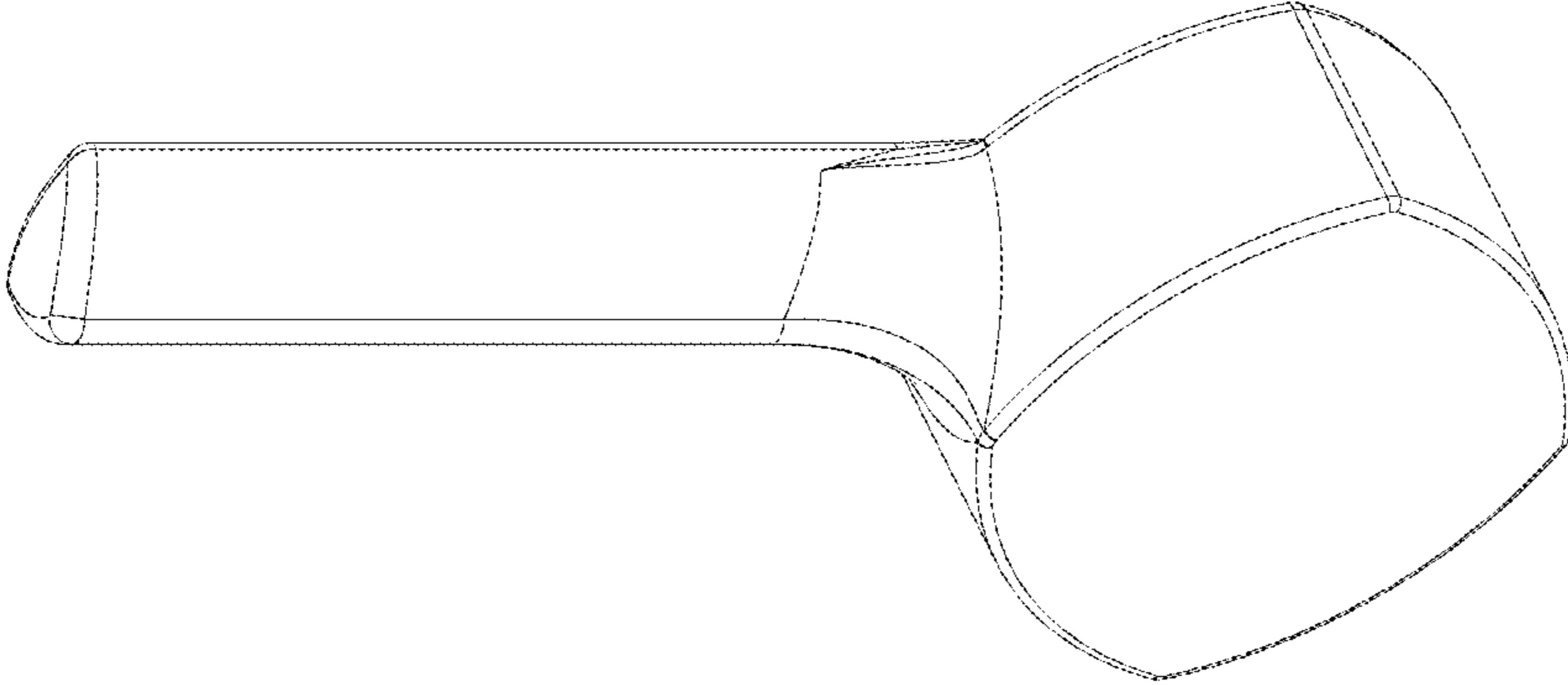


Fig. 2

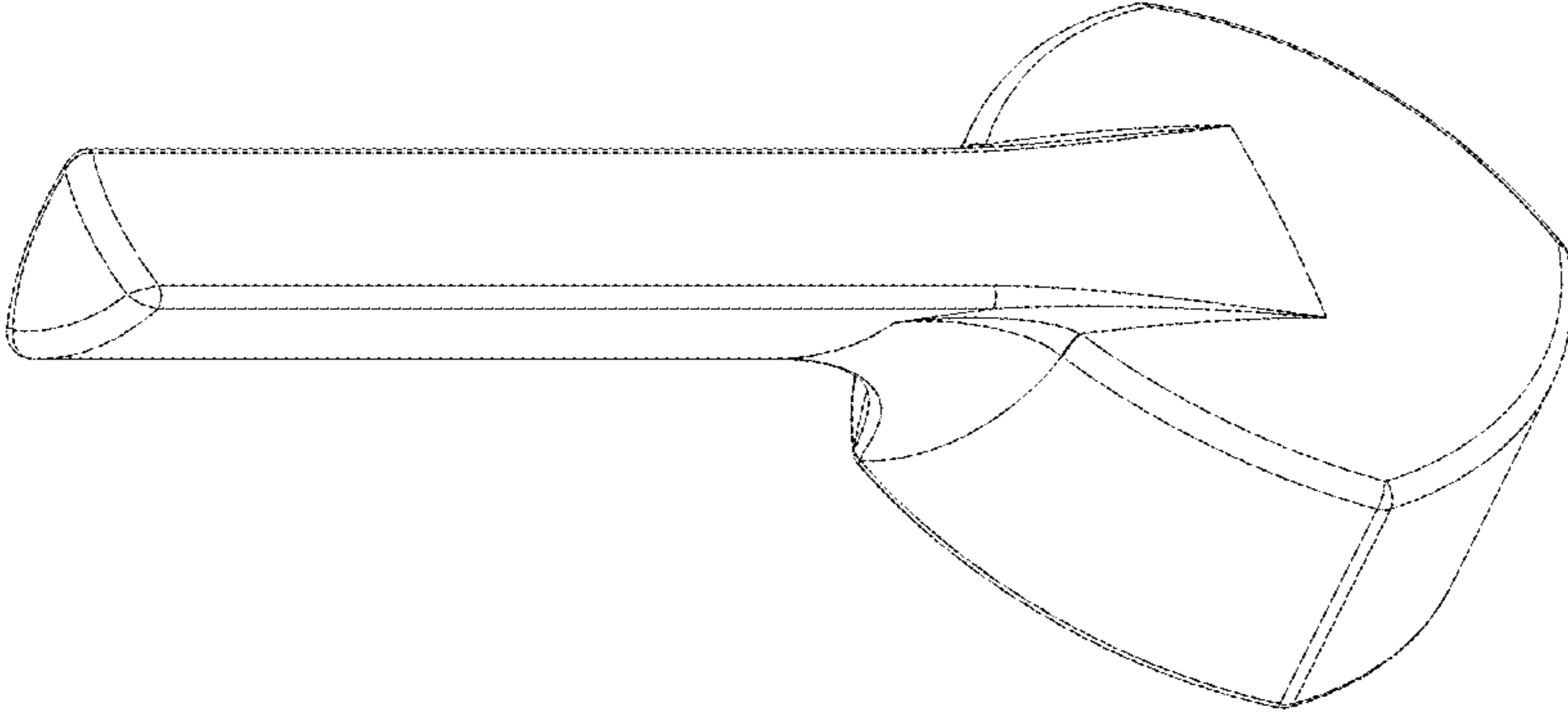


Fig. 1

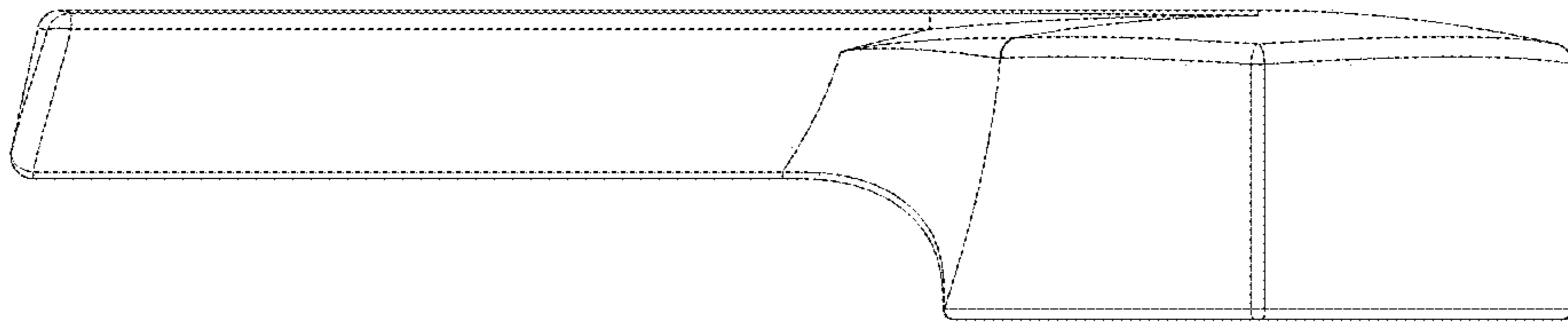


Fig. 4

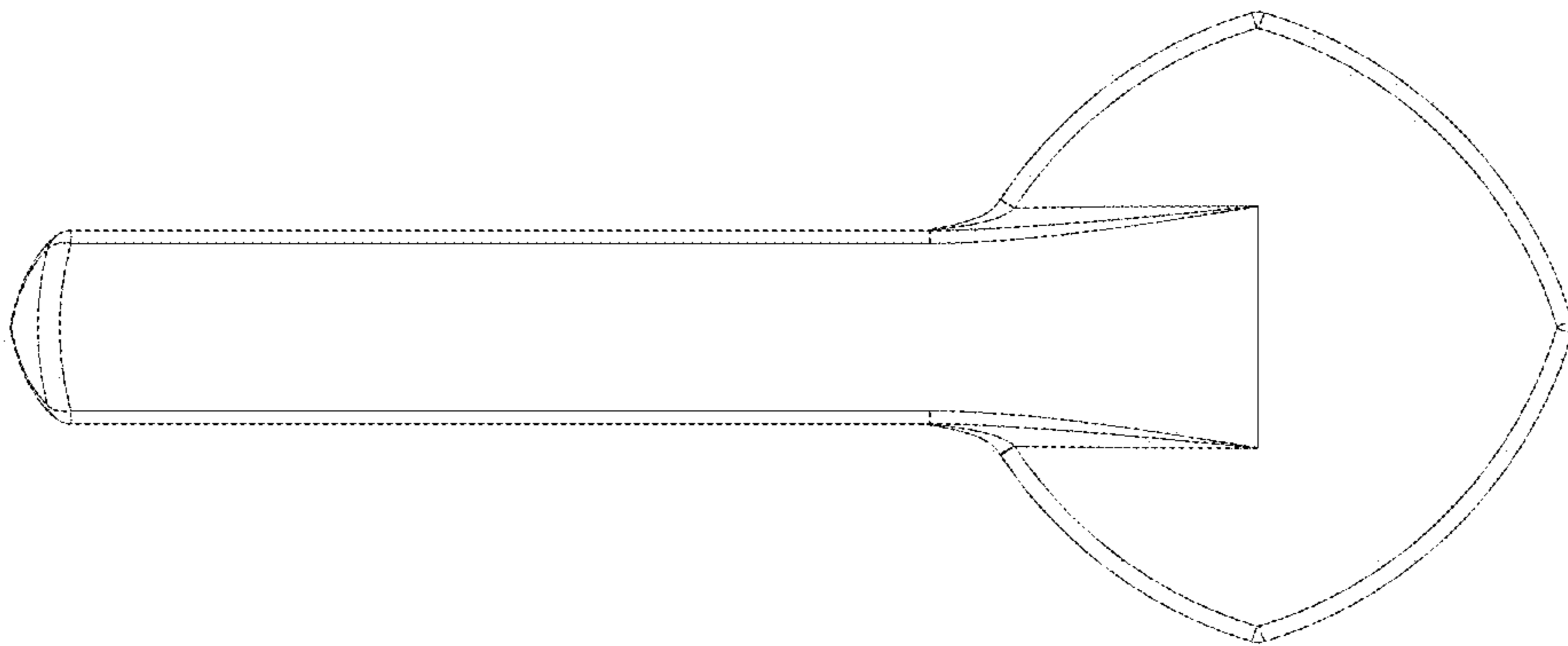


Fig. 3

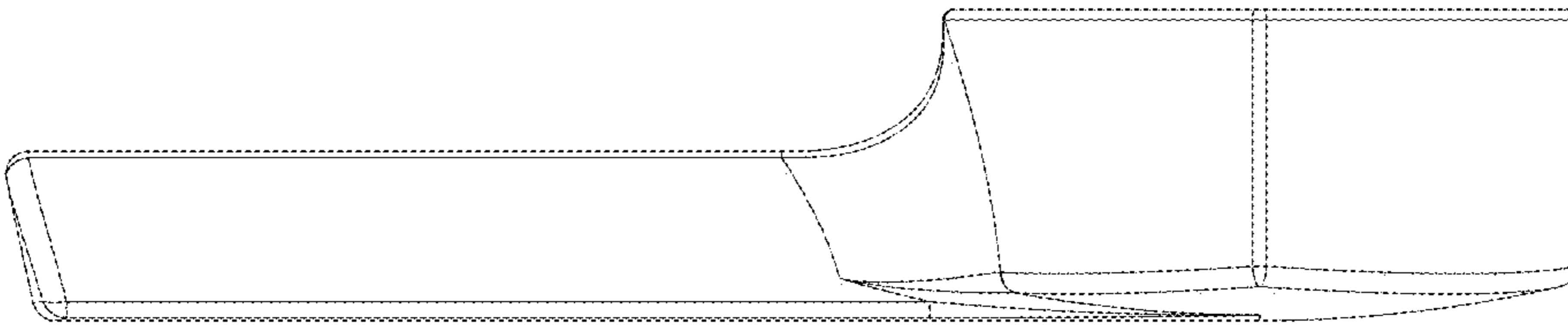


Fig. 6

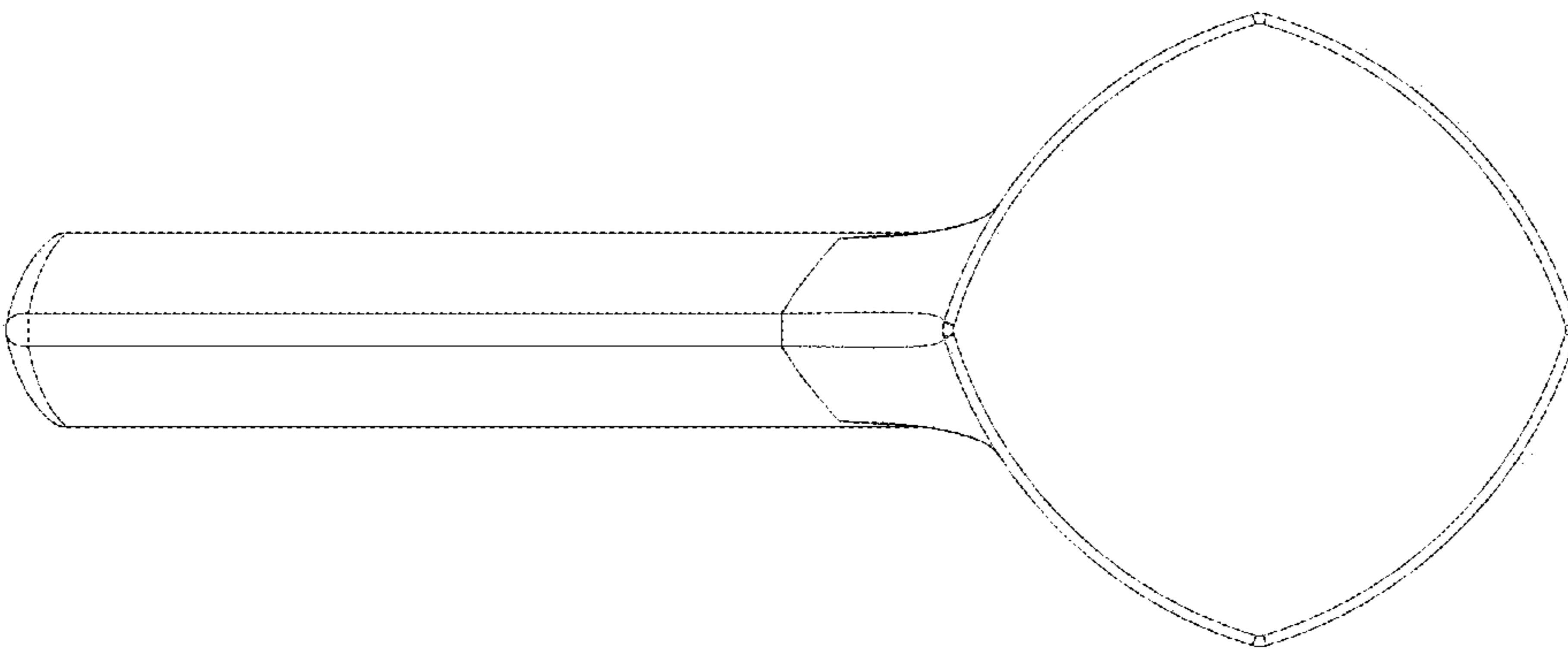


Fig. 5

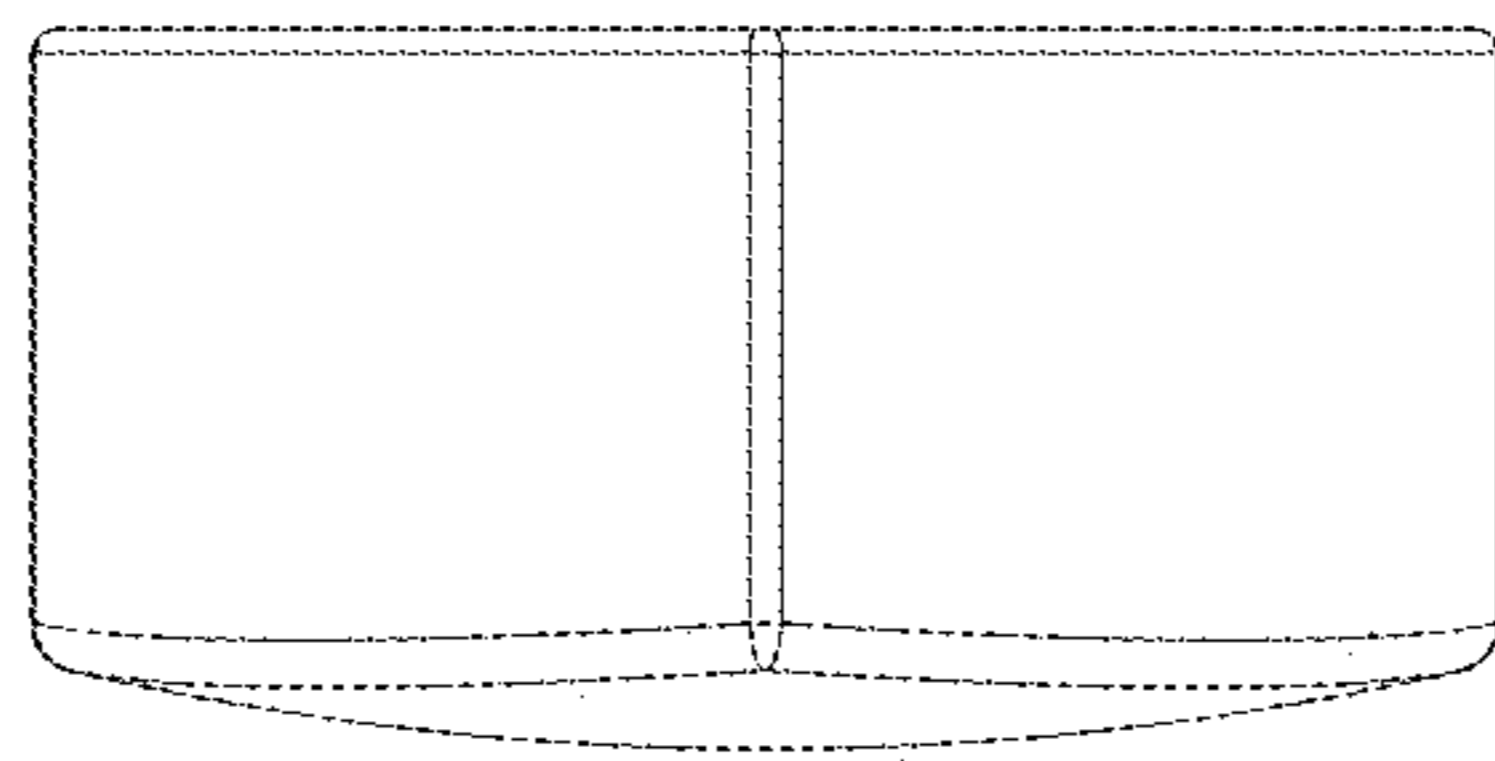


Fig. 8

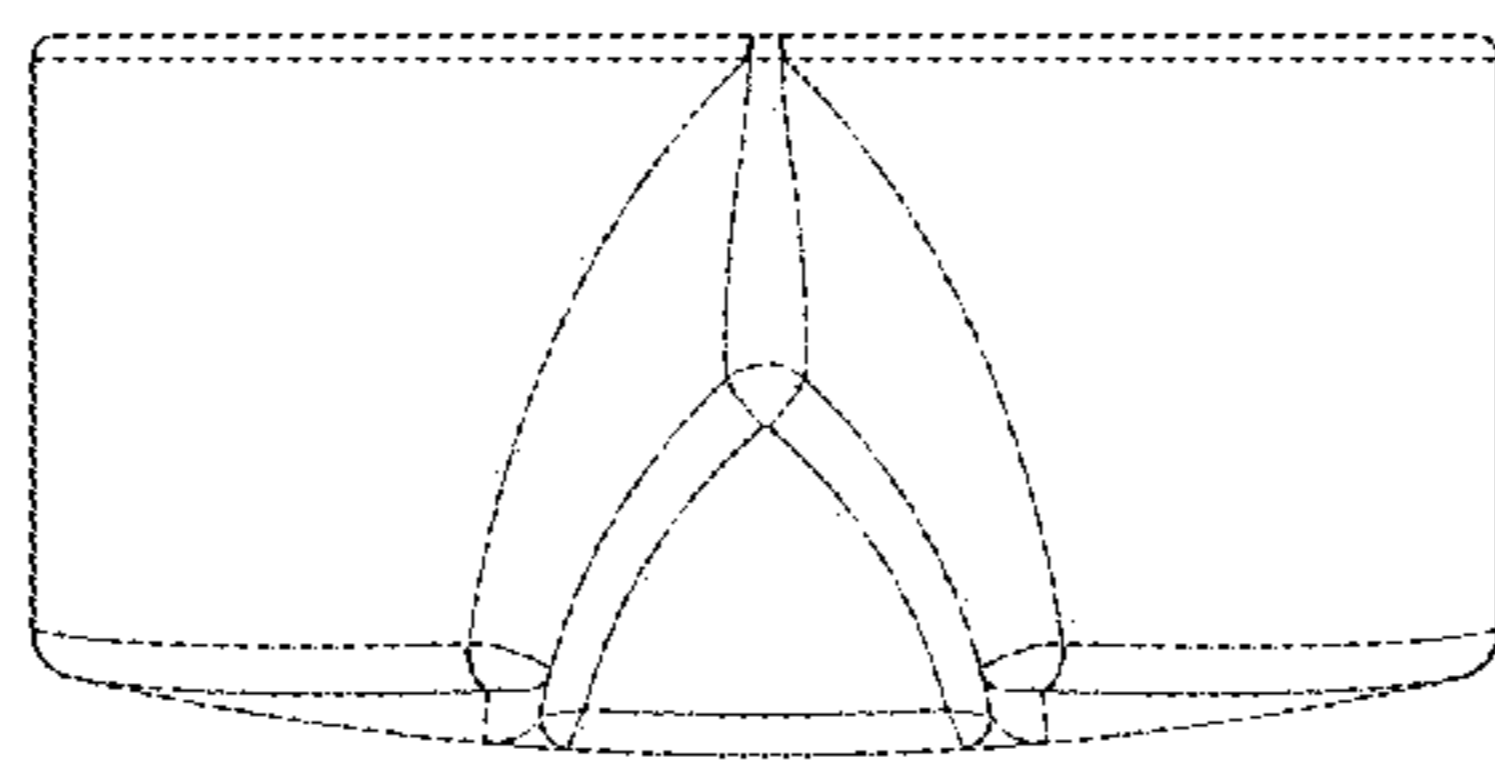


Fig. 7