



US00D985733S

(12) **United States Design Patent** (10) **Patent No.:** **US D985,733 S**  
**Kulig** (45) **Date of Patent:** **\*\* May 9, 2023**

(54) **FAUCET HANDLE**  
(71) Applicant: **Graff Faucets**, Milwaukee, WI (US)  
(72) Inventor: **Zbigniew Kulig**, Wadsworth, IL (US)  
(73) Assignee: **Graff Faucets**, Milwaukee, WI (US)  
(\*\*) Term: **15 Years**  
(21) Appl. No.: **29/762,228**  
(22) Filed: **Dec. 15, 2020**  
(51) **LOC (14) Cl.** ..... **23-01**  
(52) **U.S. Cl.**  
USPC ..... **D23/252**  
(58) **Field of Classification Search**  
USPC ..... D23/238–244, 250, 252, 254–255, 257;  
D8/300, 307–308  
CPC .... F16K 31/602; F16K 31/605; F16K 31/607;  
E03C 1/02; E03C 1/04  
See application file for complete search history.

D937,987 S \* 12/2021 Lazarini ..... D23/252  
D945,180 S \* 3/2022 Ingels ..... D6/523  
D948,307 S \* 4/2022 Minale ..... D8/308  
2010/0019516 A1 \* 1/2010 Williamson ..... E05B 63/0065  
292/336.3

**FOREIGN PATENT DOCUMENTS**

GB 1043081 \* 5/1988

**OTHER PUBLICATIONS**

Joseph Giles—Bartlett Solid brass lever handle, date unavailable[online], [site visited Jul. 25, 2022], Available from internet, URL: <https://www.englishtapware.com.au/products/LV1058/> (Year: 2022).\*  
Kwikset 91540-008 Halifax Passage Lever, first available Aug. 25, 2014[online], [site visited Jul. 25, 2022], Available from internet, URL: <https://www.amazon.com/dp/B00KYI5LWU> (Year: 2014).\*

(Continued)

*Primary Examiner* — David G Muller  
*Assistant Examiner* — Jamaal Rasheed  
(74) *Attorney, Agent, or Firm* — Defillo & Associates, Inc.; Evelyn A. Defillo

(57) **CLAIM**

The ornamental design for a faucet handle, as shown and described.

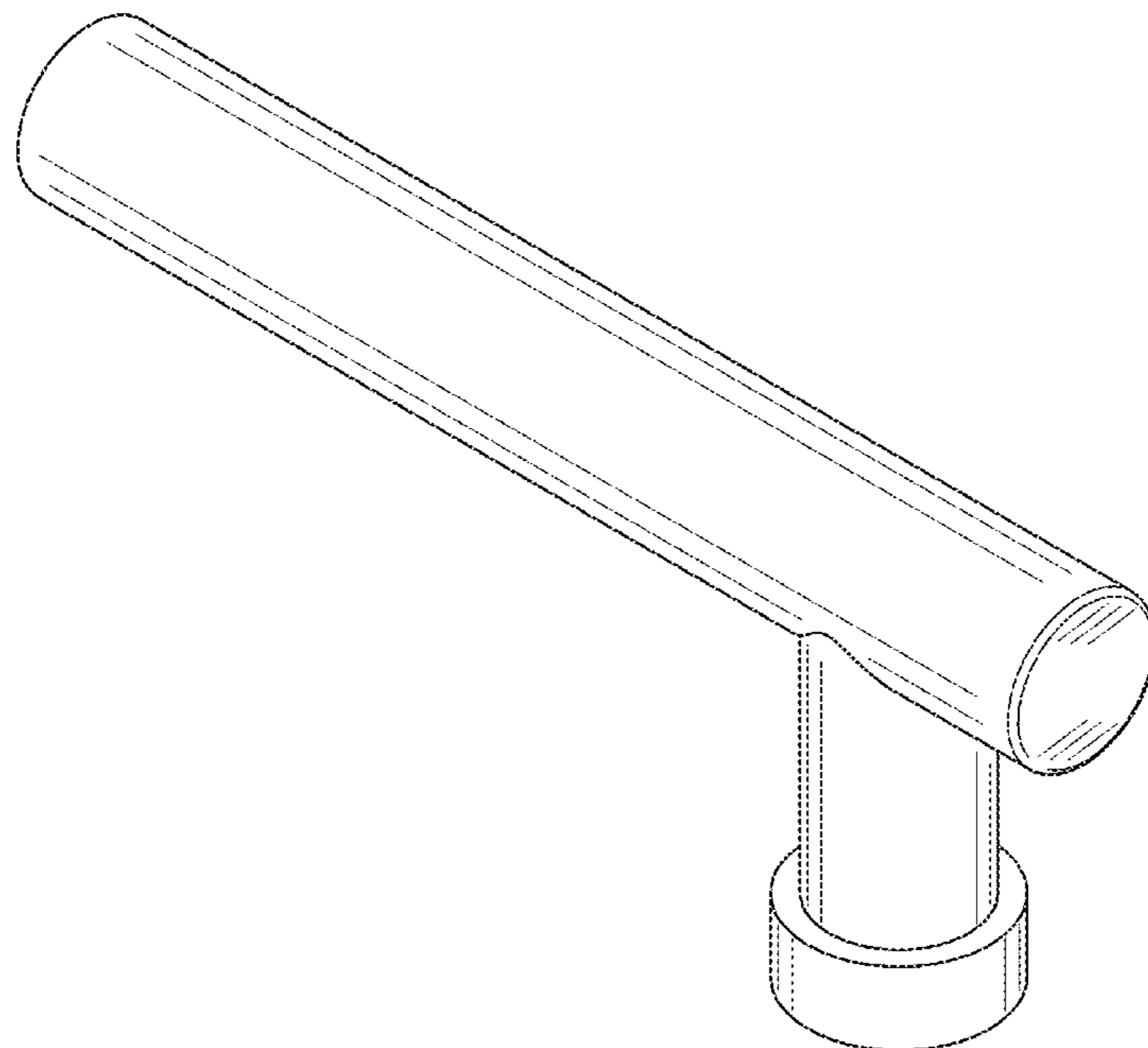
**DESCRIPTION**

FIG. 1 is a perspective front view of a faucet handle according to the present invention;  
FIG. 2 is a front view of the faucet handle of FIG. 1;  
FIG. 3 is a side view of the faucet handle of FIG. 1;  
FIG. 4 is a back view of the faucet handle of FIG. 1; and,  
FIG. 5 is a top view of the faucet handle of FIG. 1.  
The portion of the faucet shown in broken lines form no part of the claimed design.

**1 Claim, 5 Drawing Sheets**

(56) **References Cited**  
**U.S. PATENT DOCUMENTS**

D233,082 S \* 10/1974 Tayleur ..... D7/398  
D311,438 S \* 10/1990 Strignano ..... D23/242  
D442,317 S \* 5/2001 Crosby ..... D26/87  
D464,406 S \* 10/2002 Gottwald ..... D23/255  
D504,309 S \* 4/2005 Fuchs ..... D8/367  
D517,650 S \* 3/2006 Shieh ..... D23/238  
D627,441 S \* 11/2010 Sedwick ..... D23/252  
D738,468 S \* 9/2015 Bahler ..... D23/242  
D869,931 S \* 12/2019 Dulley ..... D8/308  
D875,892 S \* 2/2020 Tentler ..... D23/252  
D880,271 S \* 4/2020 Czuhajewski ..... D8/315  
D903,821 S \* 12/2020 Takahashi ..... D23/238  
D911,493 S \* 2/2021 Eads ..... D23/238  
D937,986 S \* 12/2021 Lazarini ..... D23/252



(56)

**References Cited**

OTHER PUBLICATIONS

KES Toilet Paper Holder, first available Apr. 4, 2015[online], [site visited Jul. 25, 2022], Available from internet, URL:<<https://www.amazon.com/Stainless-Bathroom-Lavatory-Dispenser-Brushed/dp/B00VNBESVM>> (Year: 2015).\*

Kwikset Satin Nickel 91550-003 Milan Door Handle Lever, first available Sep. 13, 2013 Date[online], [site visited Jul. 25, 2022]. Available from internet, URL:<<https://www.amazon.com/Kwikset-91550-003-Contemporary-Bedroom-Bathroom/dp/B00F8MSUC0>> (Year: 2013).\*

\* cited by examiner

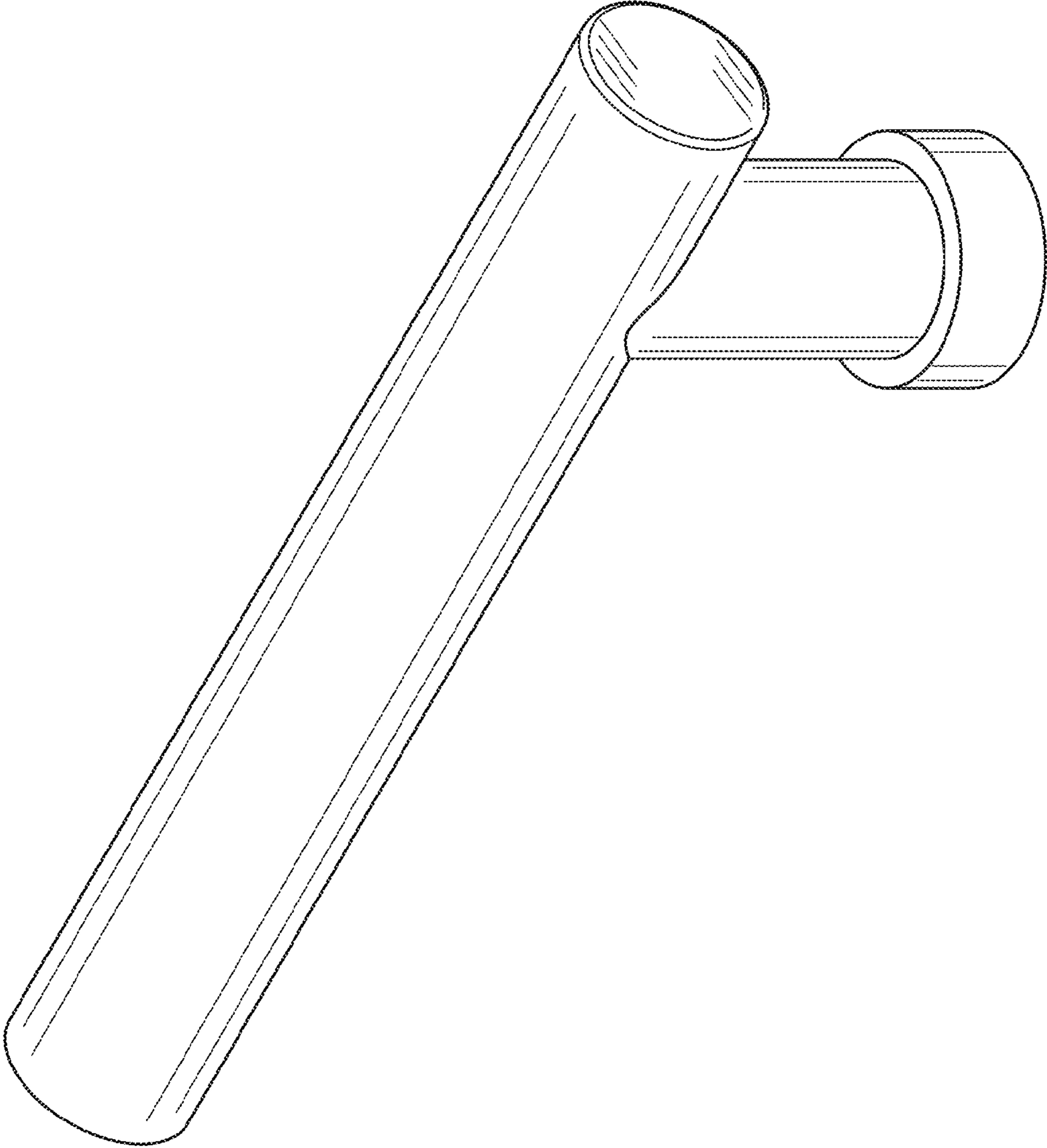


FIG. 1

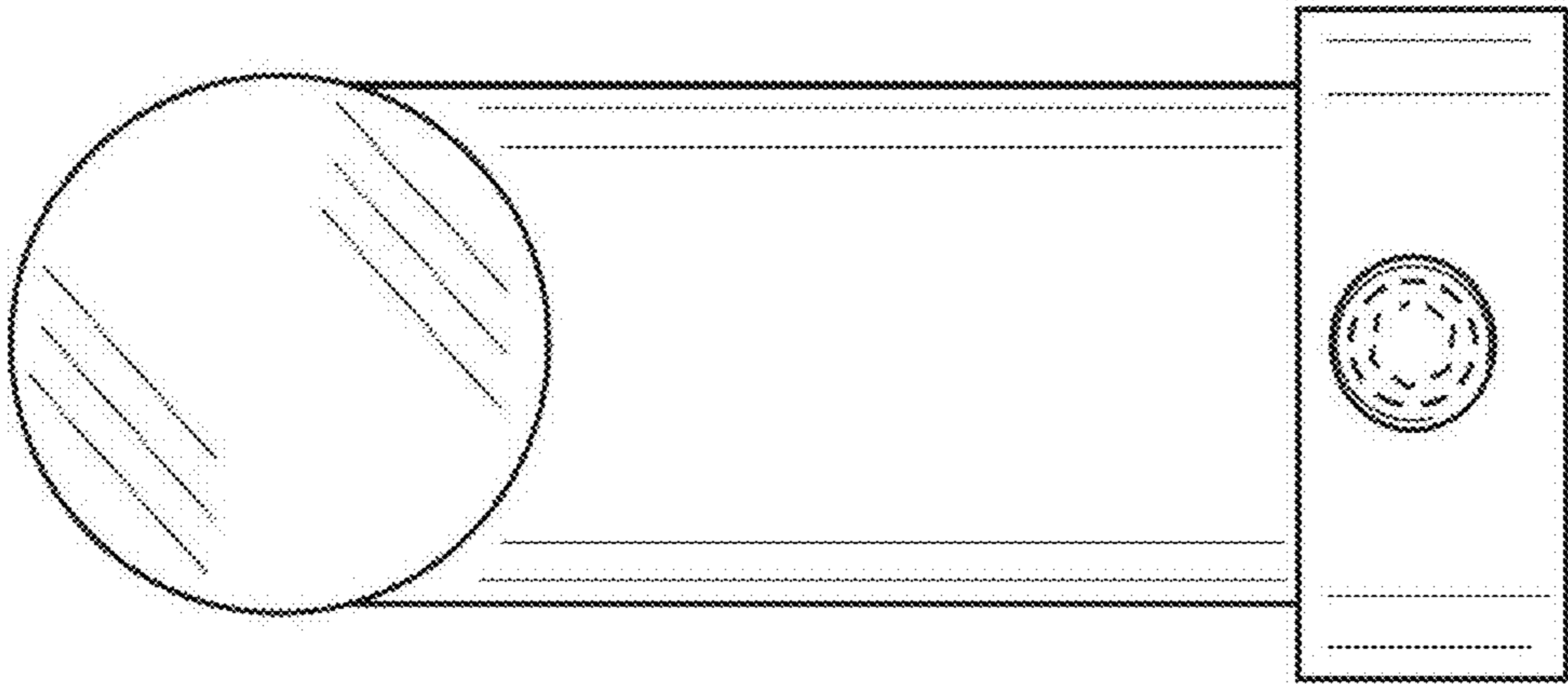


FIG. 2

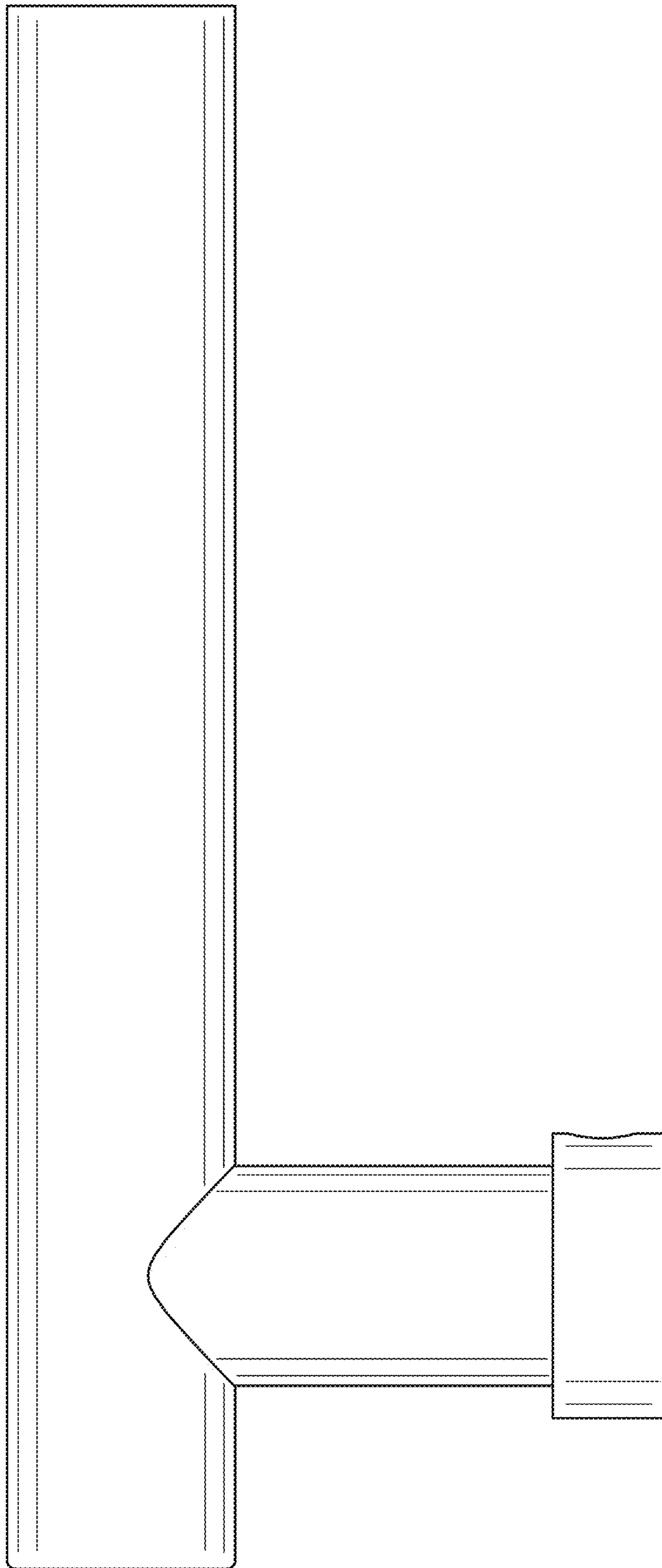


FIG. 3

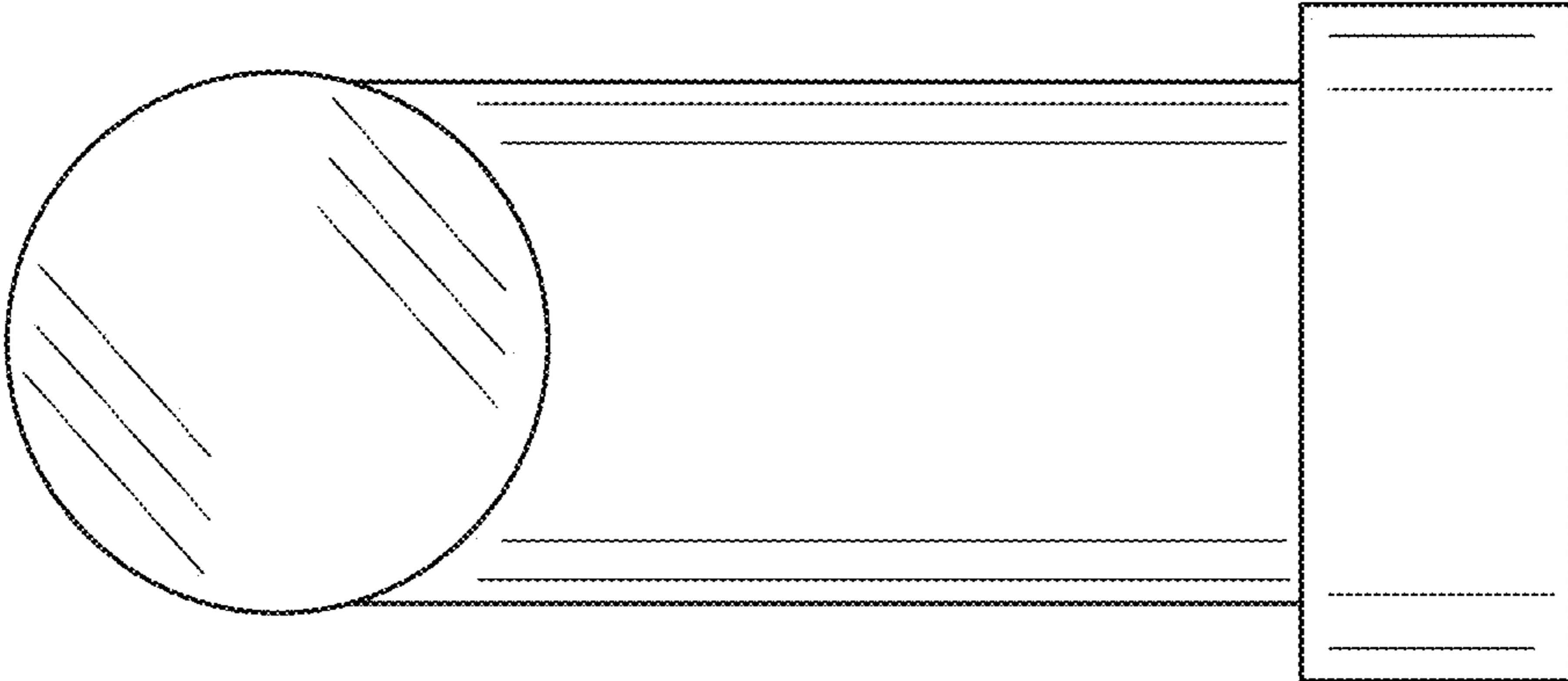


FIG. 4

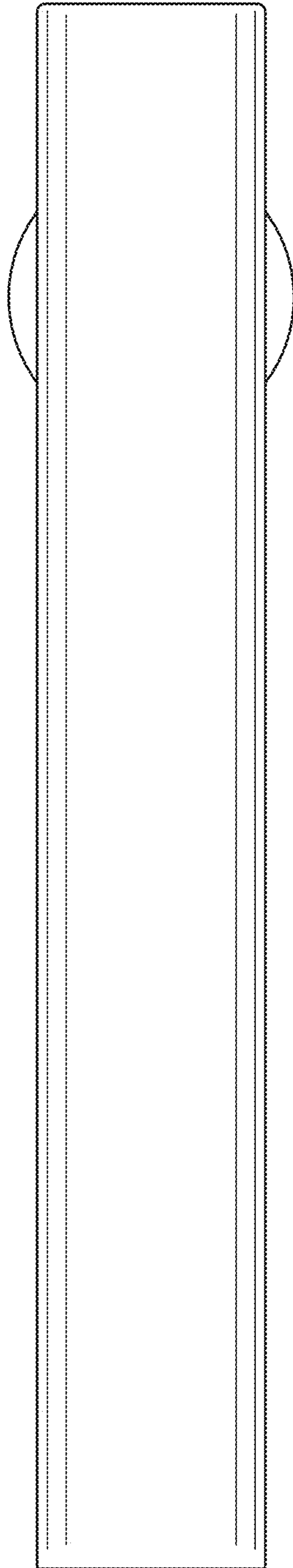


FIG. 5