



US00D985732S

(12) **United States Design Patent**
Huang

(10) **Patent No.:** **US D985,732 S**

(45) **Date of Patent:** **** May 9, 2023**

(54) **FAUCET SET**

(71) Applicant: **Jinwei Huang**, Guangdong (CN)

(72) Inventor: **Jinwei Huang**, Guangdong (CN)

(**) Term: **15 Years**

(21) Appl. No.: **29/803,270**

(22) Filed: **Aug. 11, 2021**

(51) **LOC (14) Cl.** **23-01**

(52) **U.S. Cl.**
USPC **D23/242**

(58) **Field of Classification Search**
USPC D23/238-244, 252, 254-255, 257, 499
CPC F16K 31/602; F16K 31/605; F16K 31/607;
E03C 1/0412

See application file for complete search history.

(56) **References Cited**

U.S. PATENT DOCUMENTS

D614,734 S *	4/2010	Kulig	D23/242
D734,837 S *	7/2015	Sieger	D23/242
D844,752 S *	4/2019	Soulier	D23/238
D862,655 S *	10/2019	Garland	D23/242
D870,863 S *	12/2019	Eads	D23/255
D944,929 S *	3/2022	Park	D23/242
D961,052 S *	8/2022	Mai	D23/241

FOREIGN PATENT DOCUMENTS

CN	303409729	*	10/2015
IN	295079-0001	*	12/2018

OTHER PUBLICATIONS

KES Black Bathroom Faucet, first available Oct. 19, 2021 [online], [site visited Jan. 11, 2023]. Available from internet, URL:< https://www.amazon.com/dp/B09JS97VQQ/ref=sbl_dp_x_home-improvement-bath-bathroom-faucets_B0BB2M77LZ_0> (Year: 2021).*

* cited by examiner

Primary Examiner — David G Muller

Assistant Examiner — Jamaal Rasheed

(74) *Attorney, Agent, or Firm* — True Shepherd, LLC;
Andrew Cheng

(57) **CLAIM**

The ornamental design for a faucet set, as shown and described.

DESCRIPTION

FIG. 1 is a front, right, and top perspective view of a faucet set, showing my design.

FIG. 2 is a front elevation view thereof.

FIG. 3 is a rear elevation view thereof.

FIG. 4 is a left side elevation view thereof.

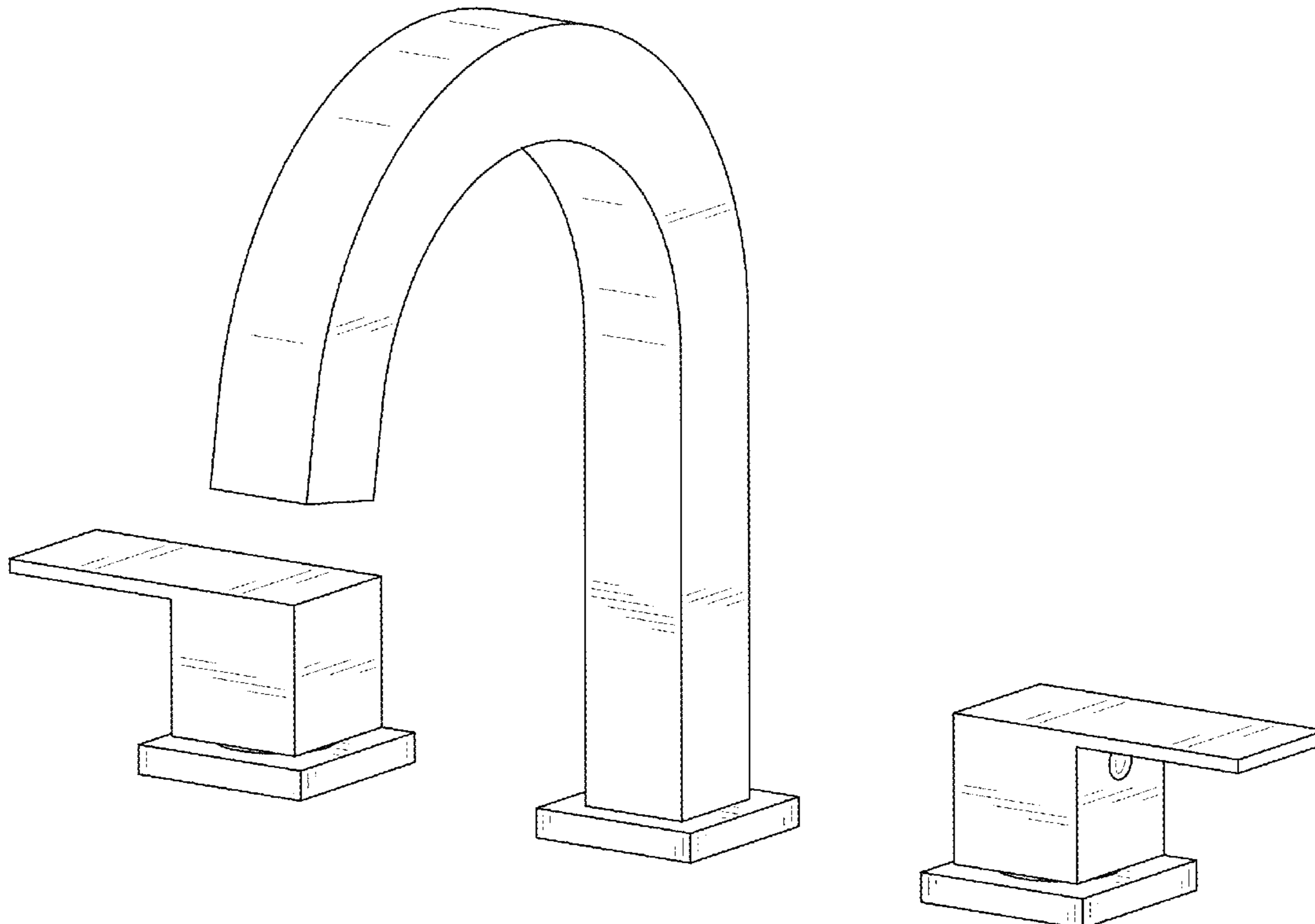
FIG. 5 is a right side elevation view thereof.

FIG. 6 is a top plan view thereof; and,

FIG. 7 is a bottom plan view thereof.

The broken lines shown in the drawings are included for the purpose of illustrating portions of the faucet set that form no part of the claimed design.

1 Claim, 7 Drawing Sheets



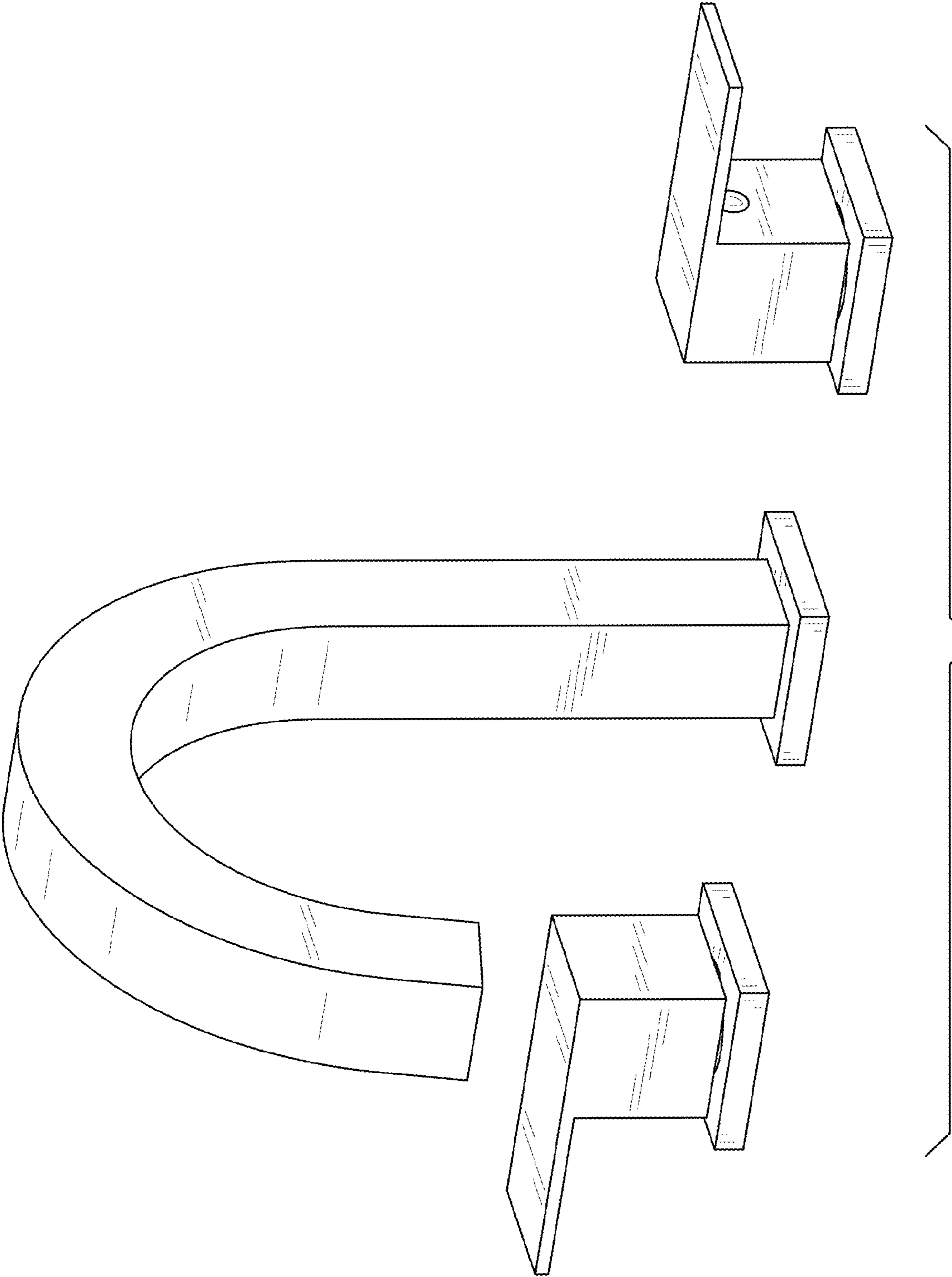


FIG. 1

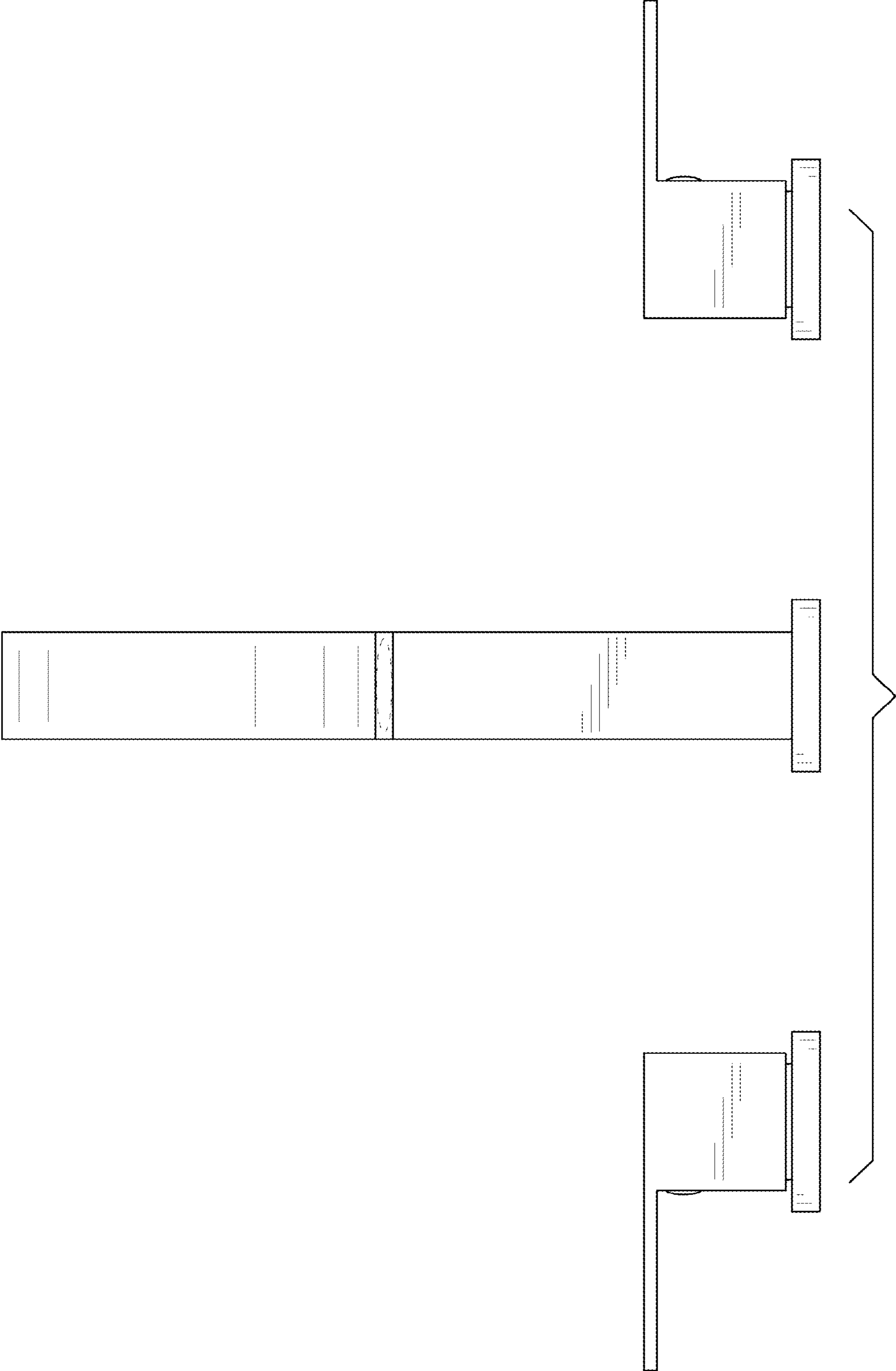
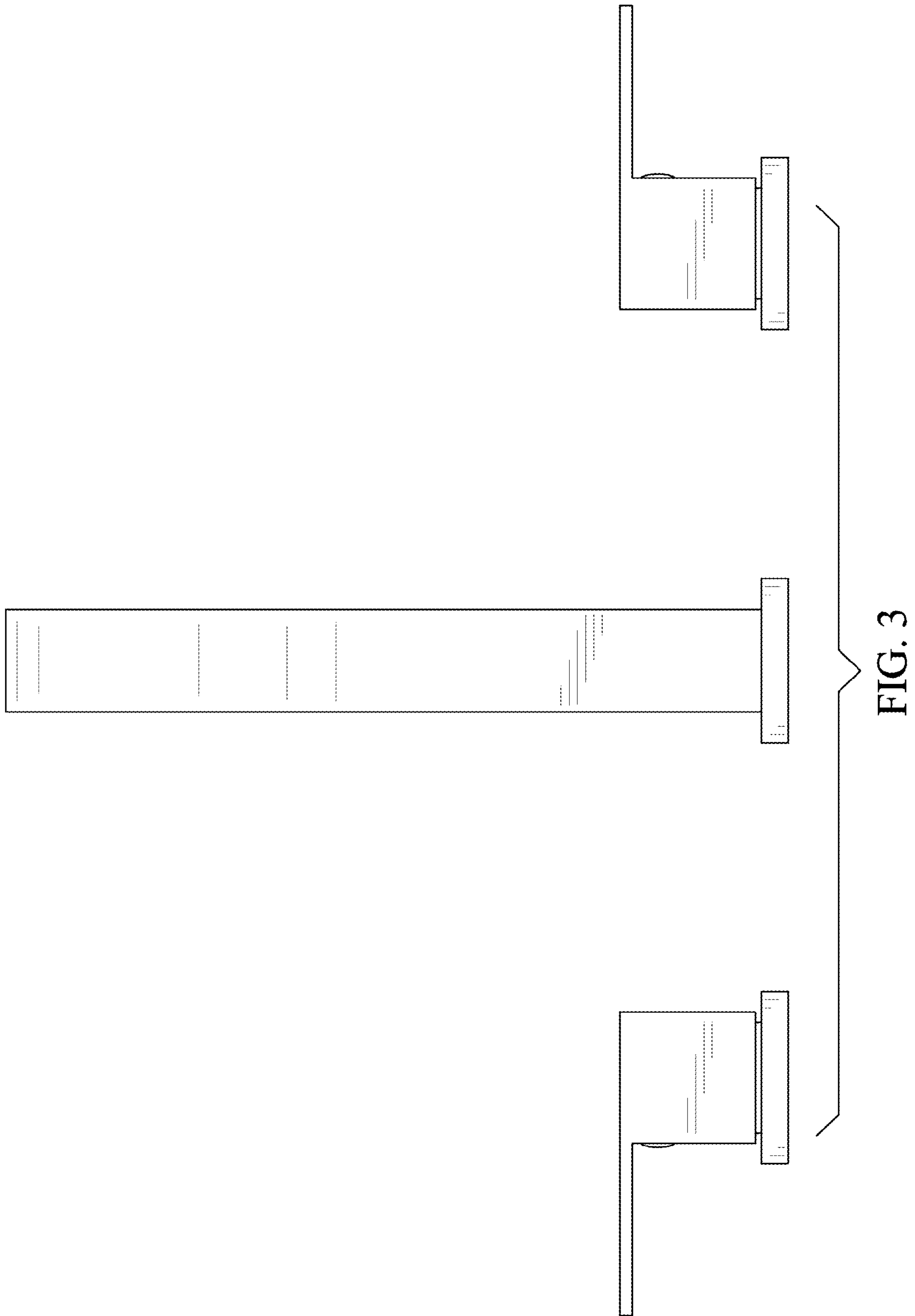


FIG. 2



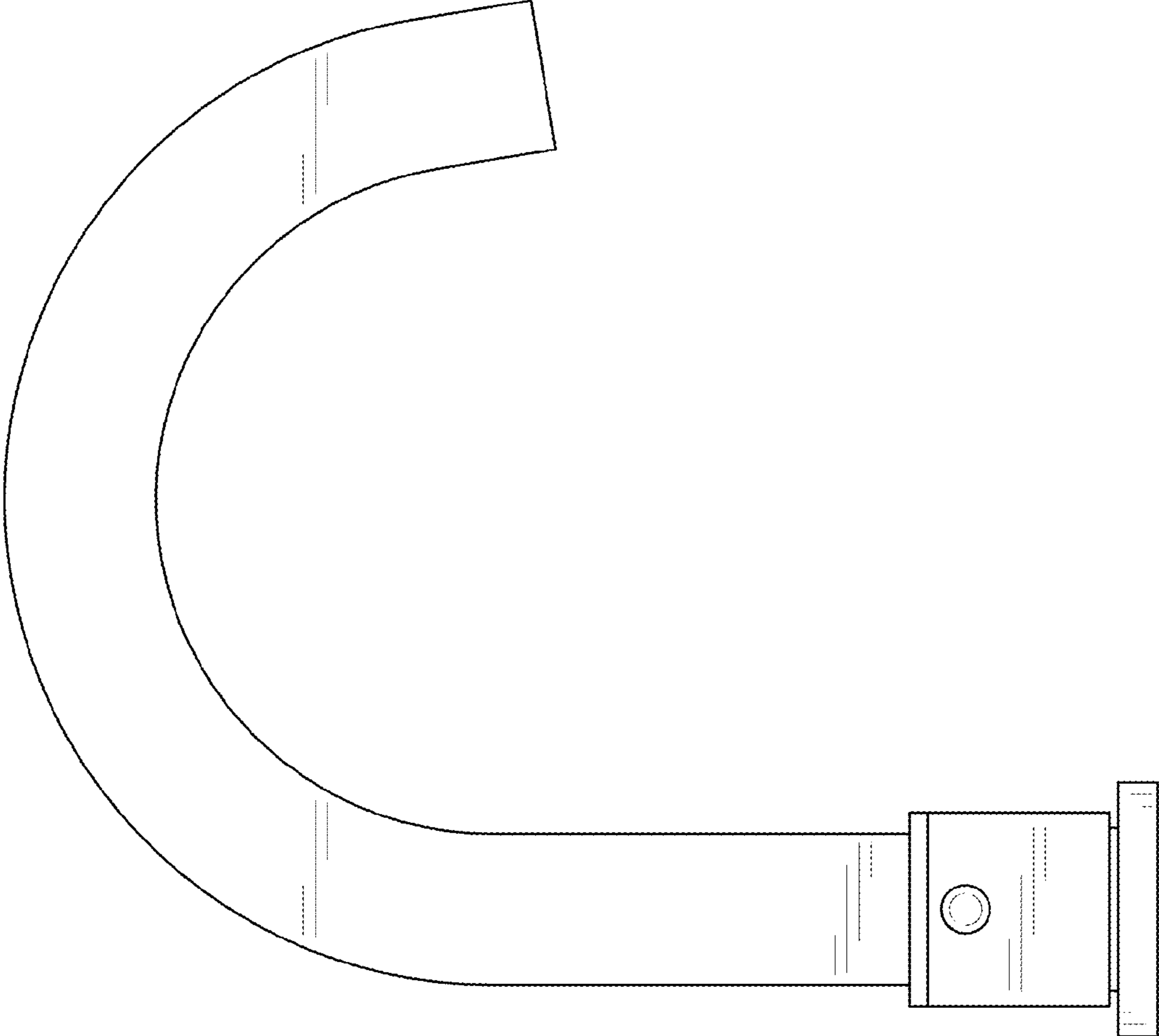


FIG. 4

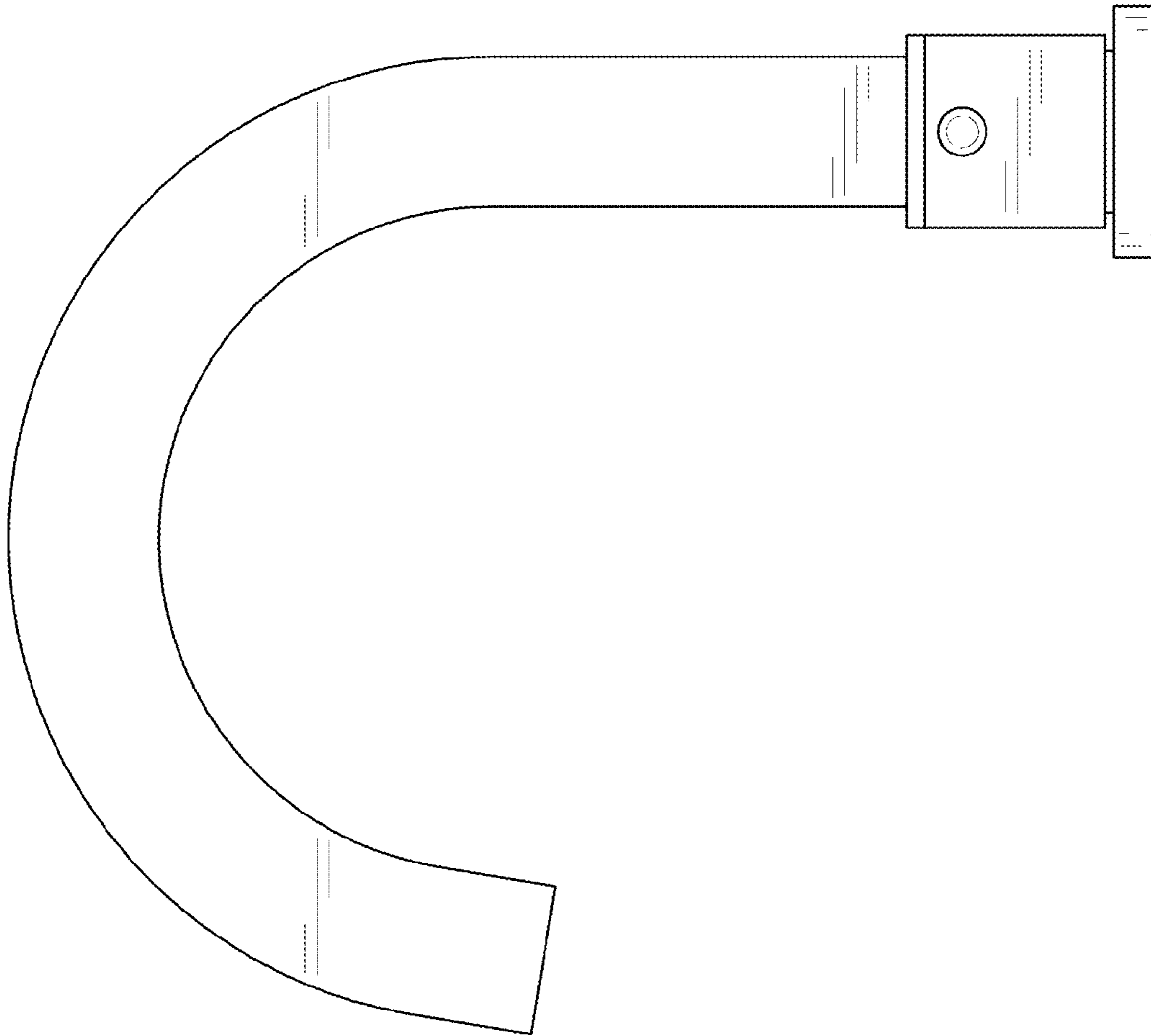


FIG. 5

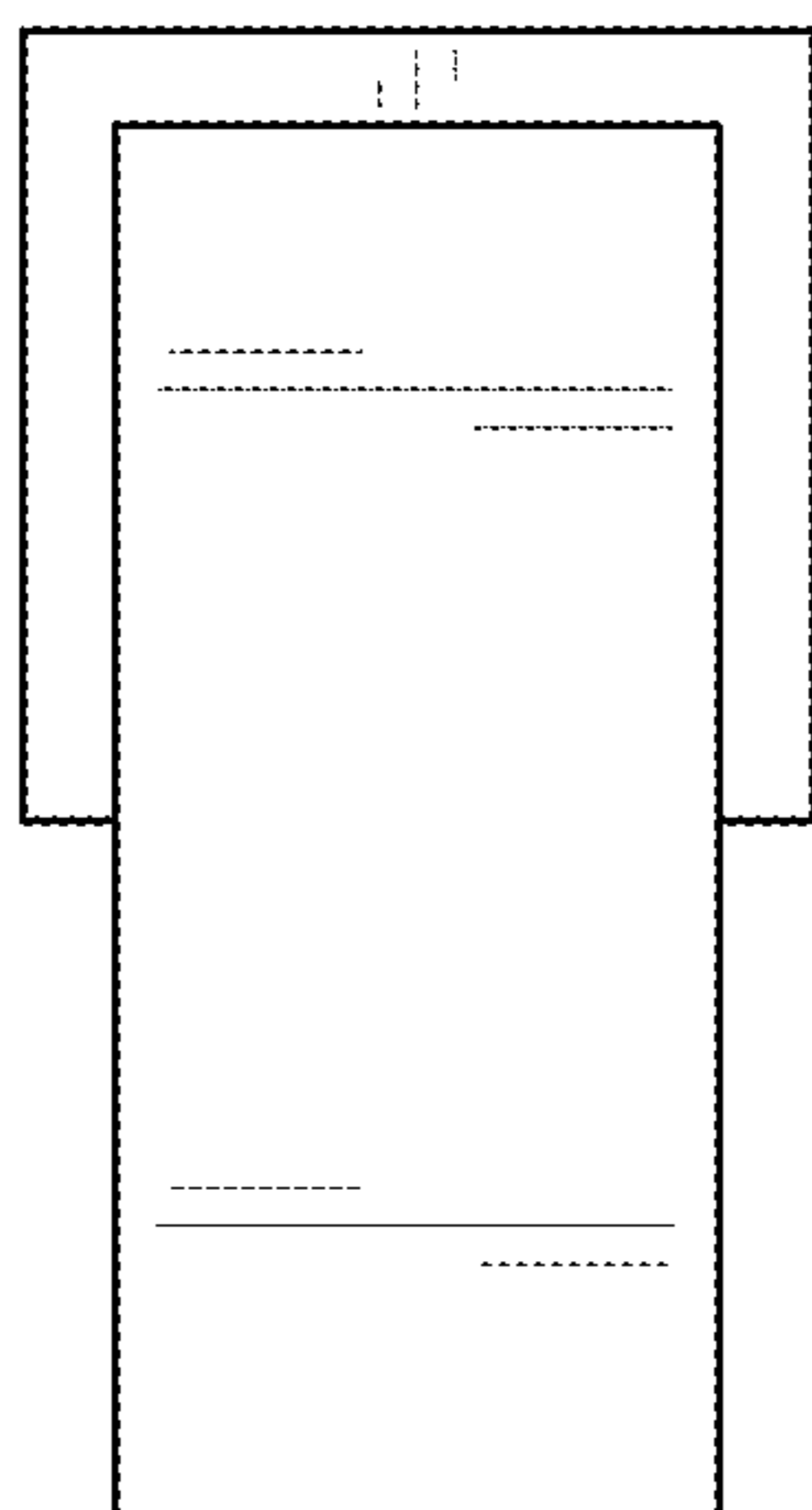
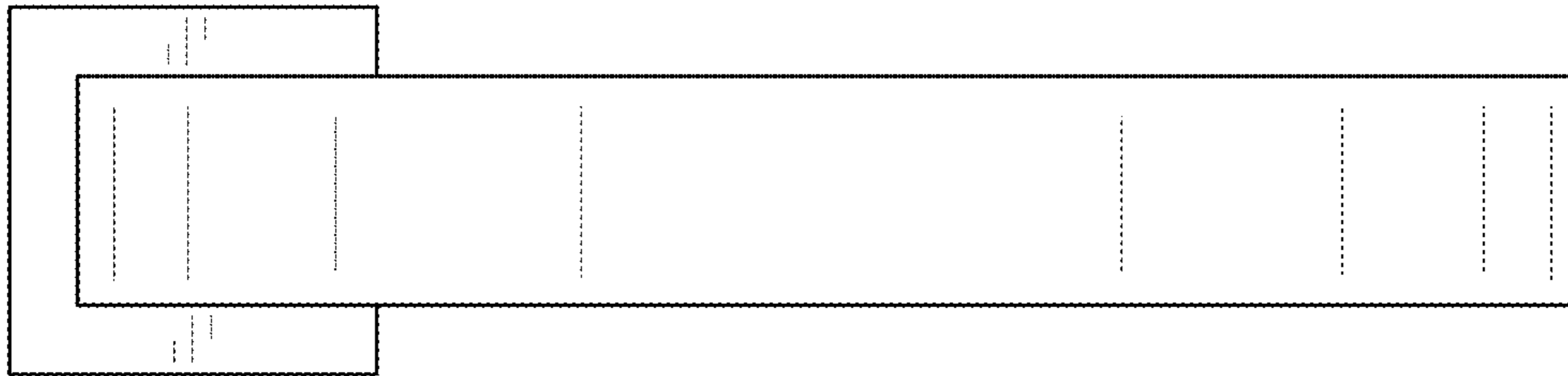
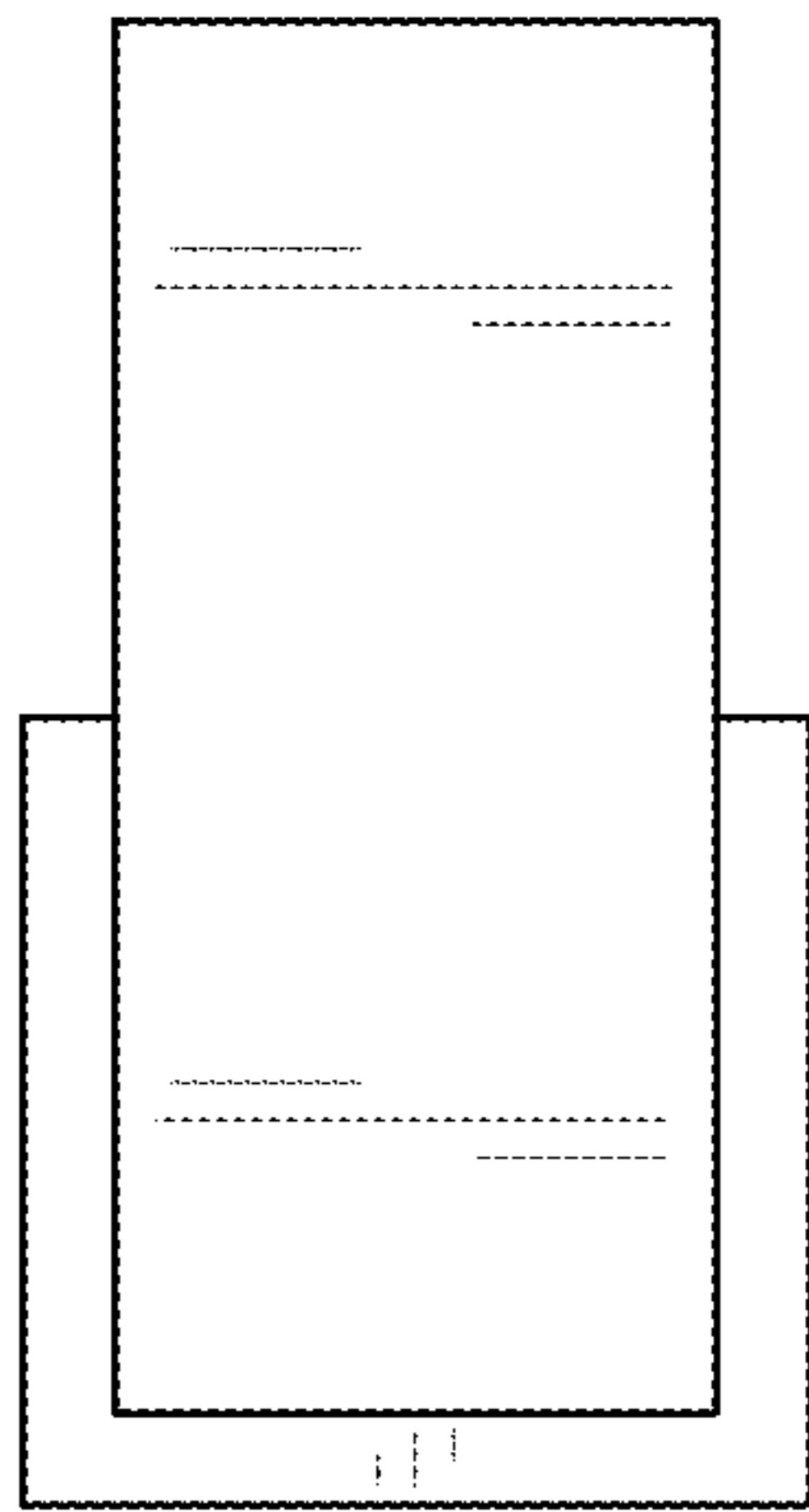


FIG. 6

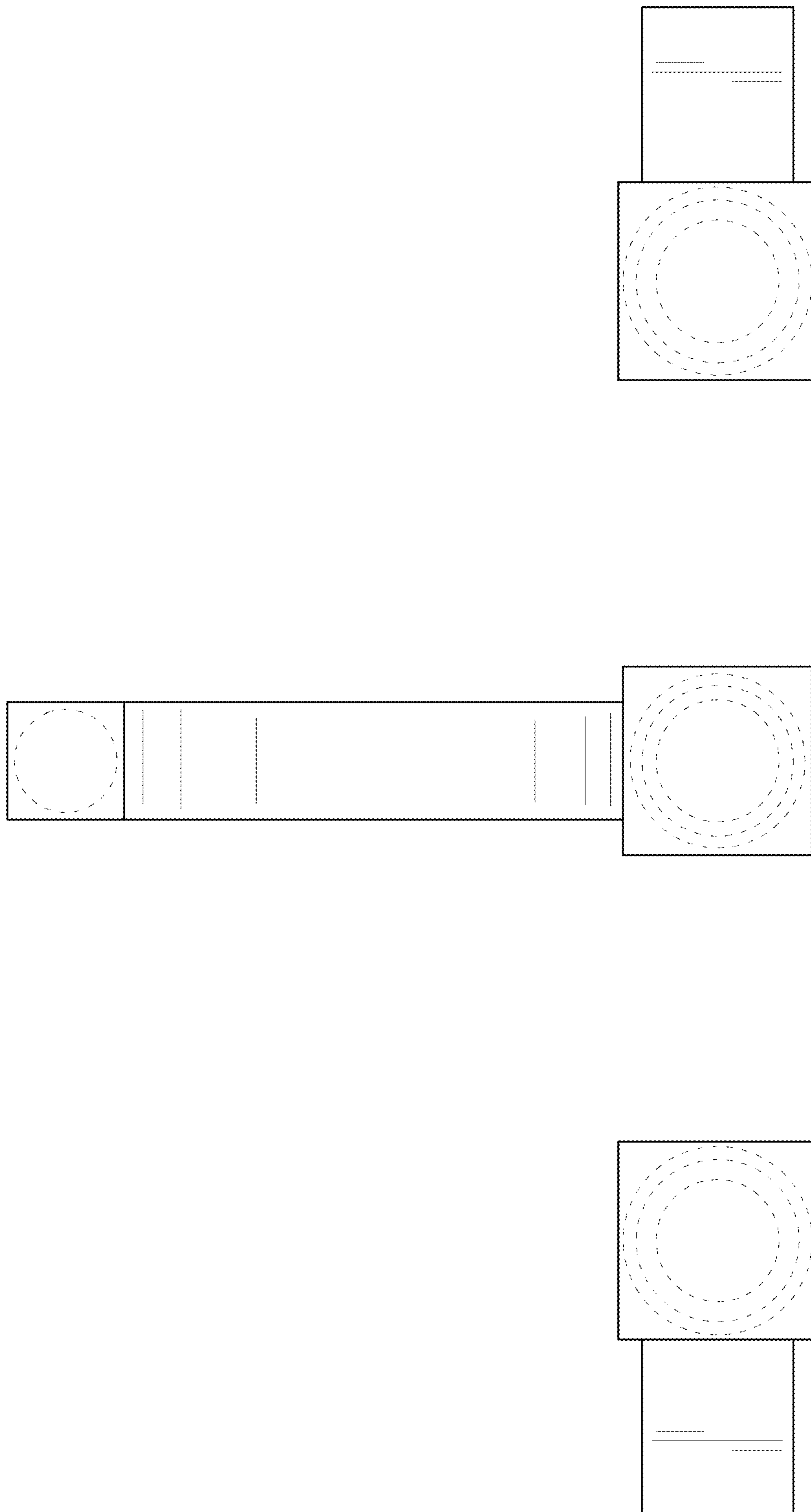


FIG. 7