



US00D985731S

(12) **United States Design Patent** (10) **Patent No.:** **US D985,731 S**
Xu (45) **Date of Patent:** **** May 9, 2023**

(54) **FAUCET**

(71) Applicant: **Chao Xu**, Suzhou (CN)

(72) Inventor: **Chao Xu**, Suzhou (CN)

(**) Term: **15 Years**

(21) Appl. No.: **29/859,409**

(22) Filed: **Nov. 10, 2022**

(51) **LOC (14) Cl.** **23-01**

(52) **U.S. Cl.**
USPC **D23/238**

(58) **Field of Classification Search**
USPC D23/213, 238–244, 249–250, 252, 254,
D23/255, 257; D8/307–308, 352
CPC . E03C 1/02; E03C 1/04; E03C 1/0404; E03C
1/0412; F16K 31/602; F16K 31/605;
F16K 31/607; Y10T 137/6014; Y10T
137/6024; Y10T 137/9464; Y10T
137/6017

See application file for complete search history.

(56) **References Cited**

U.S. PATENT DOCUMENTS

| | | | | |
|--------------|---------|-----------|-------|---------|
| D325,771 S * | 4/1992 | Di Maggio | | D23/238 |
| D426,289 S * | 6/2000 | Levine | | D23/242 |
| D435,919 S * | 1/2001 | Meda | | D23/238 |
| D491,633 S * | 6/2004 | Ouyoung | | D23/255 |
| D522,095 S * | 5/2006 | Chung | | D23/249 |
| D522,622 S * | 6/2006 | Chung | | D23/249 |
| D541,382 S * | 4/2007 | Hoernig | | D23/242 |
| D577,105 S * | 9/2008 | Eilmus | | D23/238 |
| D605,257 S * | 12/2009 | Flowers | | D23/238 |
| D647,177 S * | 10/2011 | Liao | | D23/238 |
| D647,599 S * | 10/2011 | Liao | | D23/238 |
| D712,012 S * | 8/2014 | Standefer | | D23/255 |
| D714,911 S * | 10/2014 | Cai | | D23/249 |
| D791,922 S * | 7/2017 | Rexach | | D23/249 |

| | | | | |
|--------------|---------|---------|-------|---------|
| D797,245 S * | 9/2017 | Downey | | D23/242 |
| D809,105 S * | 1/2018 | Cheng | | D23/242 |
| D811,527 S * | 2/2018 | Fritz | | |
| D816,804 S * | 5/2018 | Chong | | D23/238 |
| D827,784 S * | 9/2018 | Soulier | | D23/255 |
| D835,239 S * | 12/2018 | Ziemann | | D23/242 |
| D852,328 S * | 6/2019 | Garland | | D23/249 |
| D867,536 S * | 11/2019 | Soulier | | D23/241 |
| D896,925 S * | 9/2020 | Liu | | D23/241 |
| D930,118 S * | 9/2021 | Elser | | |
| D934,390 S * | 10/2021 | Levi | | D23/242 |
| D935,566 S * | 11/2021 | Abel | | D23/242 |
| D940,282 S * | 1/2022 | Bahler | | D23/253 |
| D941,959 S * | 1/2022 | Fritz | | D23/238 |
| D941,960 S * | 1/2022 | Zeff | | D23/242 |
| D954,206 S * | 6/2022 | Li | | D23/242 |
| D973,183 S * | 12/2022 | Ng | | D23/242 |

* cited by examiner

Primary Examiner — Amy C Wierenga
Assistant Examiner — Kathryn Elizabeth Zieno
(74) *Attorney, Agent, or Firm* — Daniel M. Cohn;
Howard M. Cohn

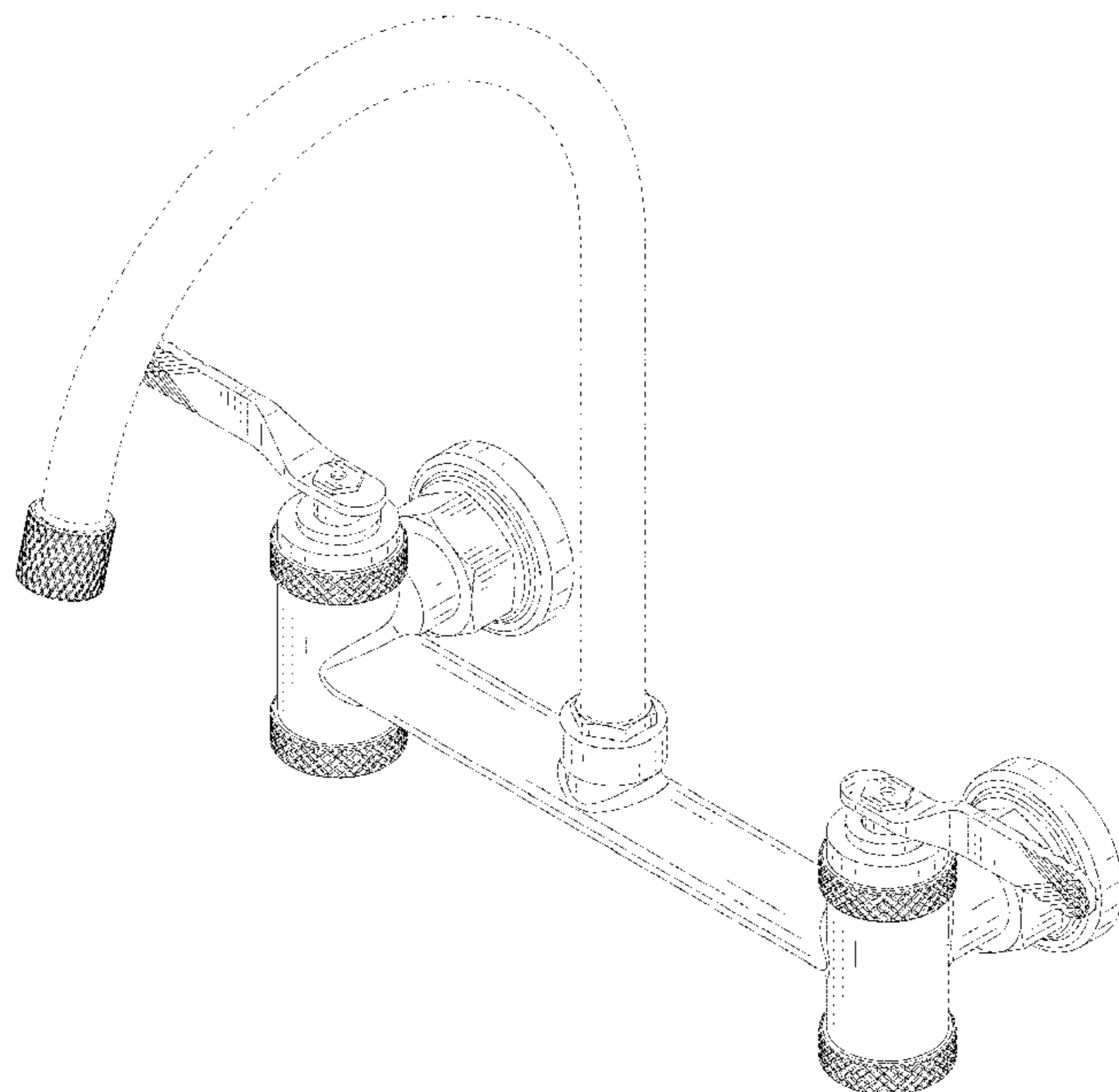
(57) **CLAIM**

The ornamental design for a faucet, as shown and described.

DESCRIPTION

FIG. 1 is a perspective view of a faucet showing my new design;
FIG. 2 is another perspective view thereof;
FIG. 3 is a front elevational view thereof;
FIG. 4 is a rear elevational view thereof;
FIG. 5 is a left side elevational view thereof;
FIG. 6 is a right side elevational view thereof;
FIG. 7 is a top plan view thereof; and,
FIG. 8 is a bottom plan view thereof.
The broken lines in the drawings depict portions of the faucet that form no part of the claimed design.

1 Claim, 8 Drawing Sheets



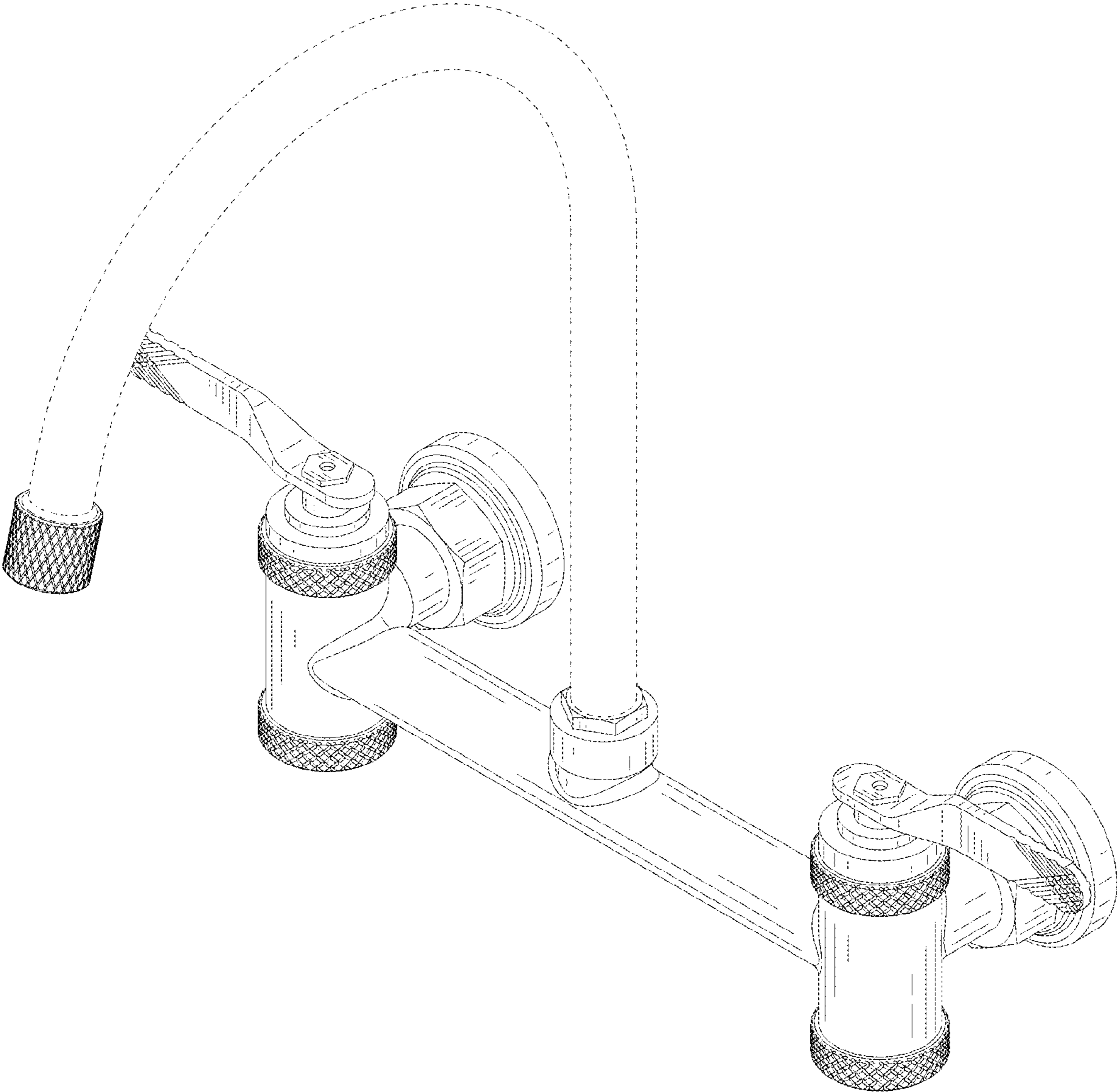


FIG. 1

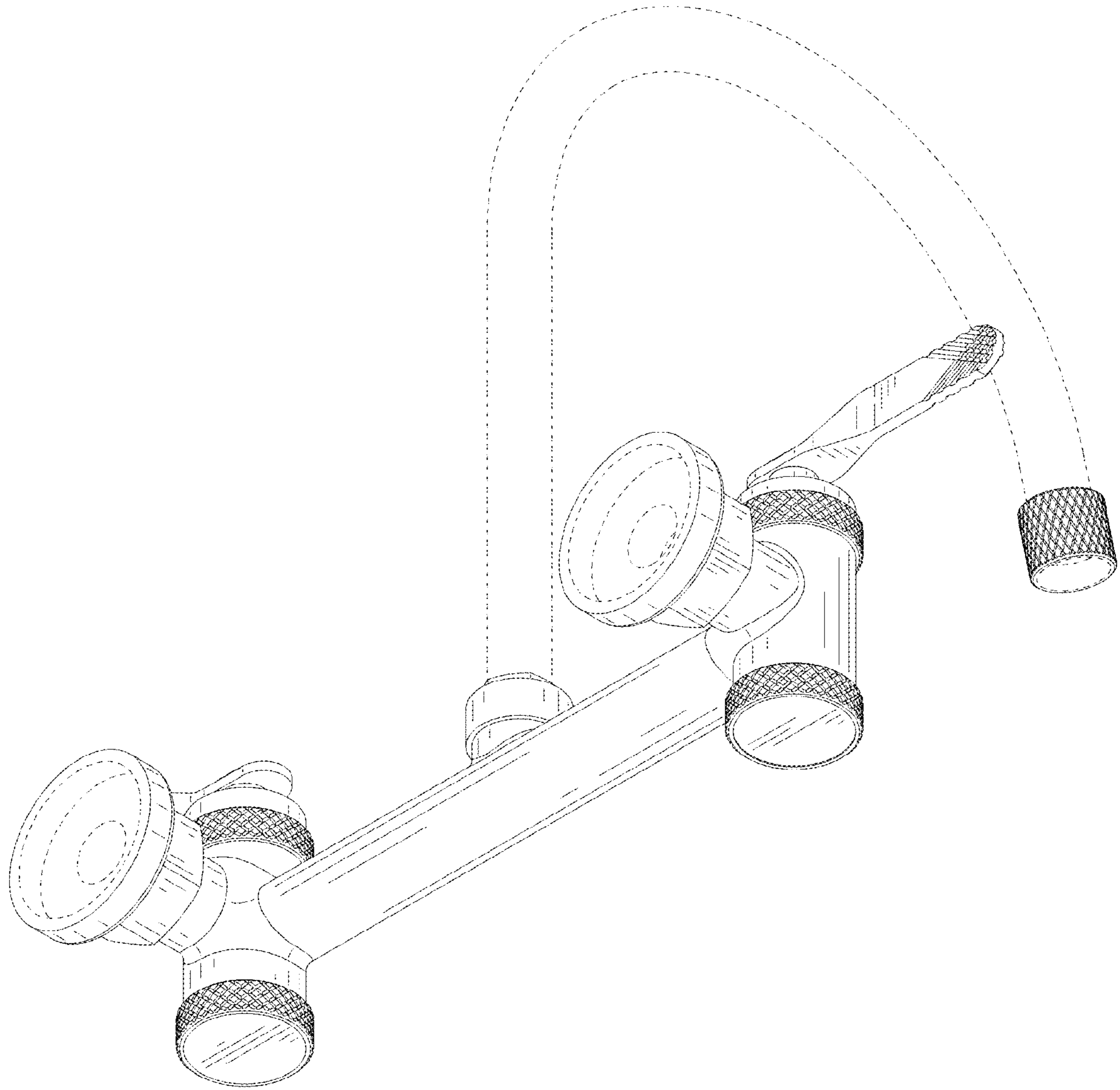


FIG. 2

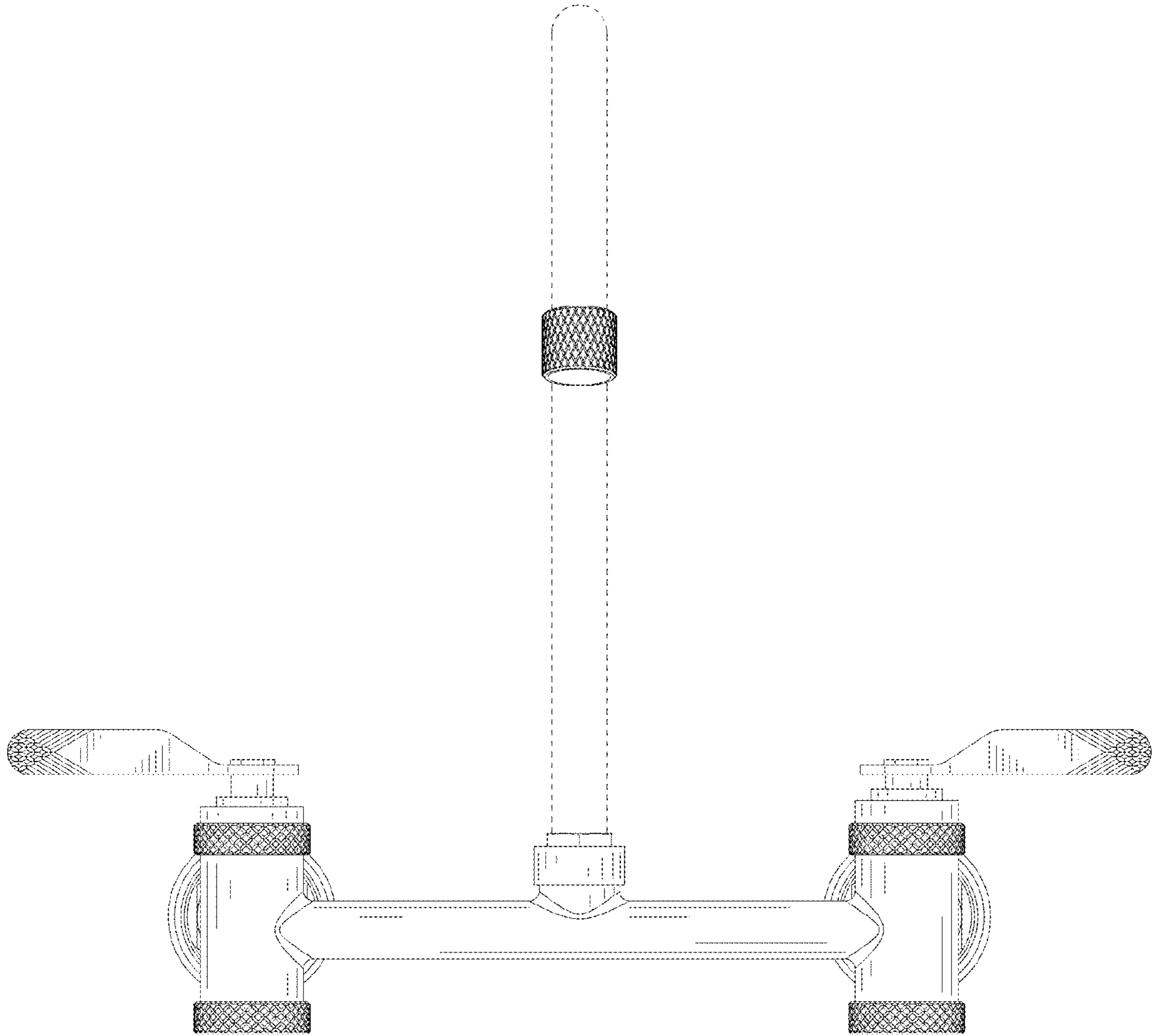


FIG. 3

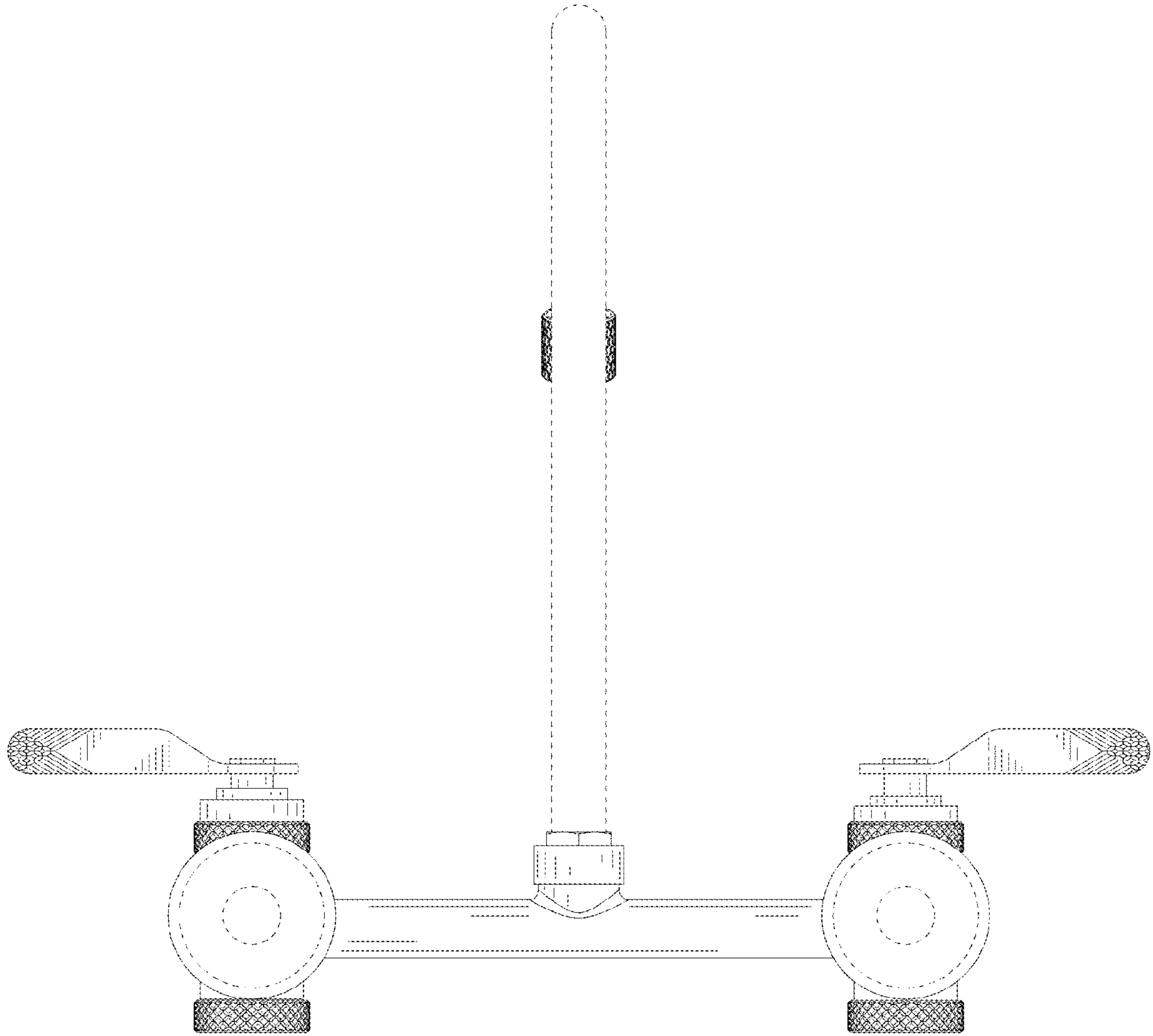


FIG. 4

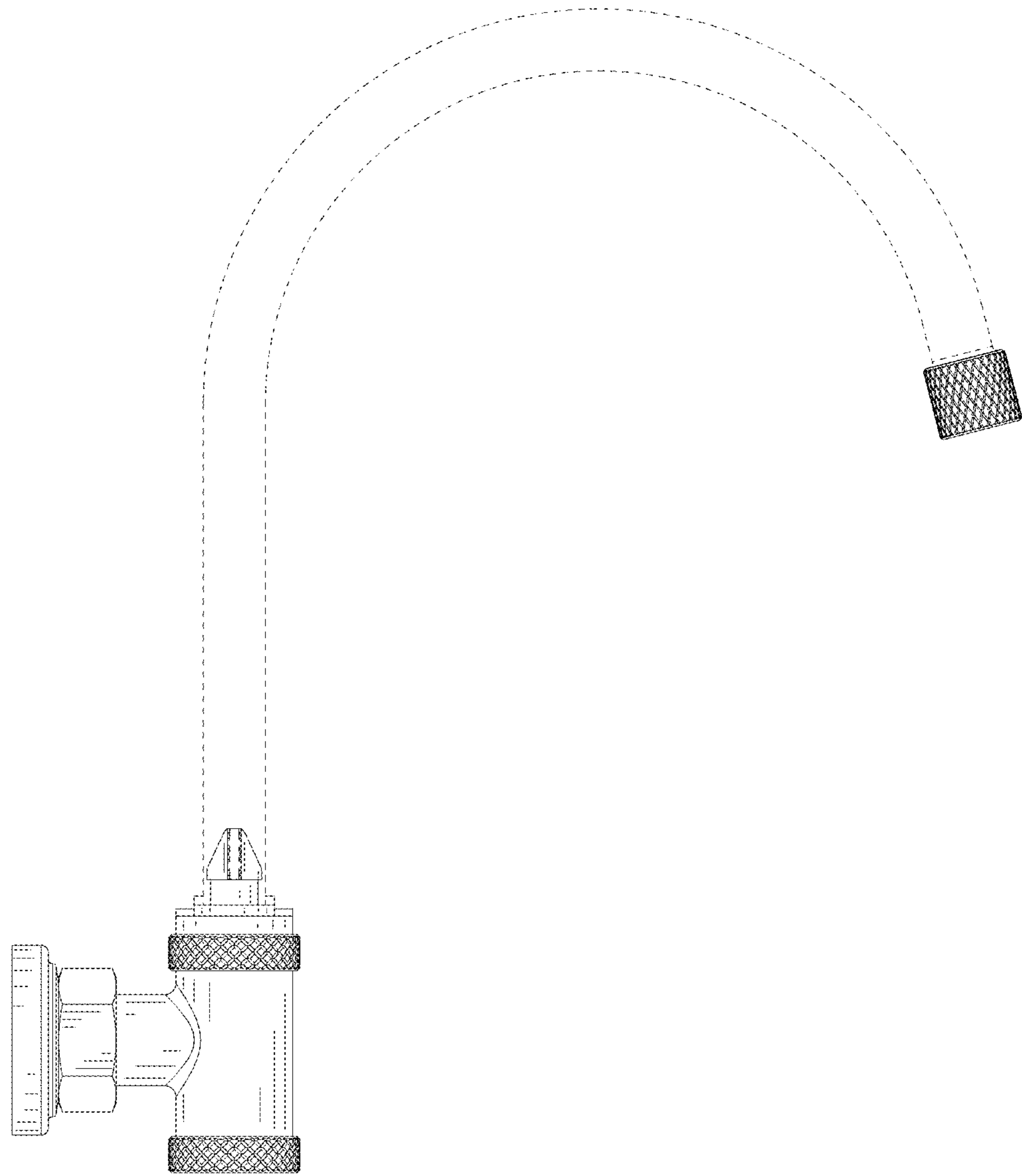


FIG. 5

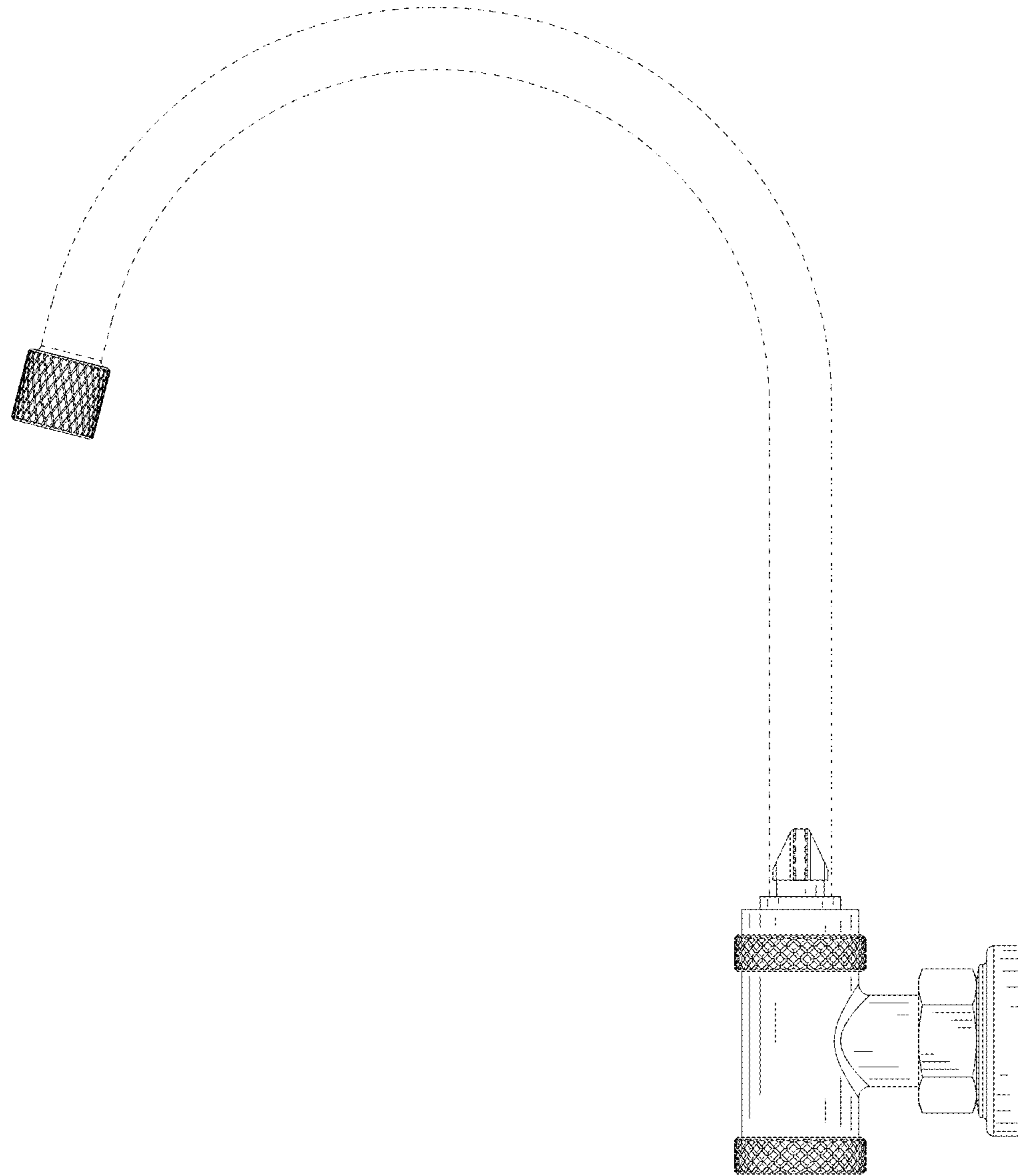


FIG. 6

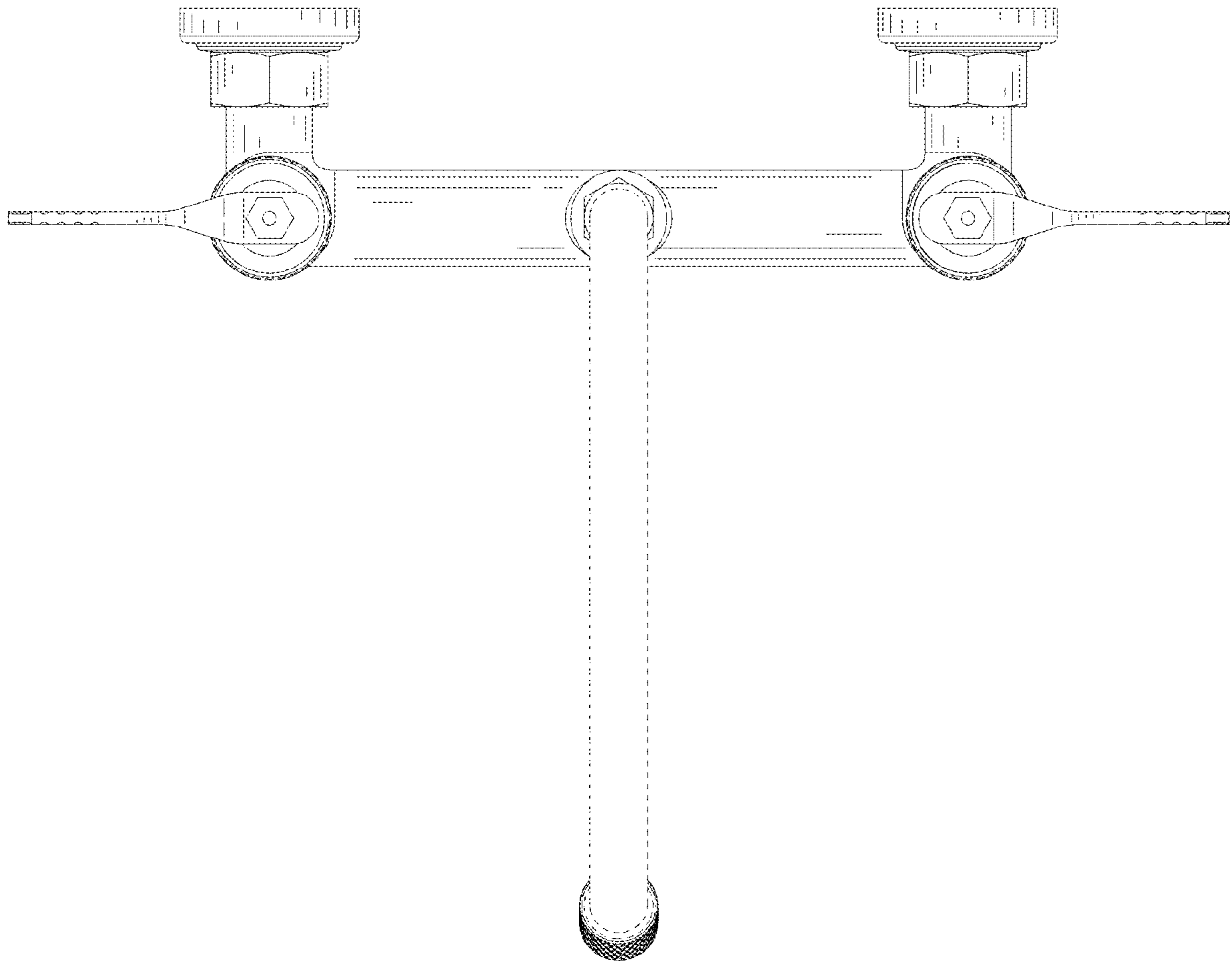


FIG. 7

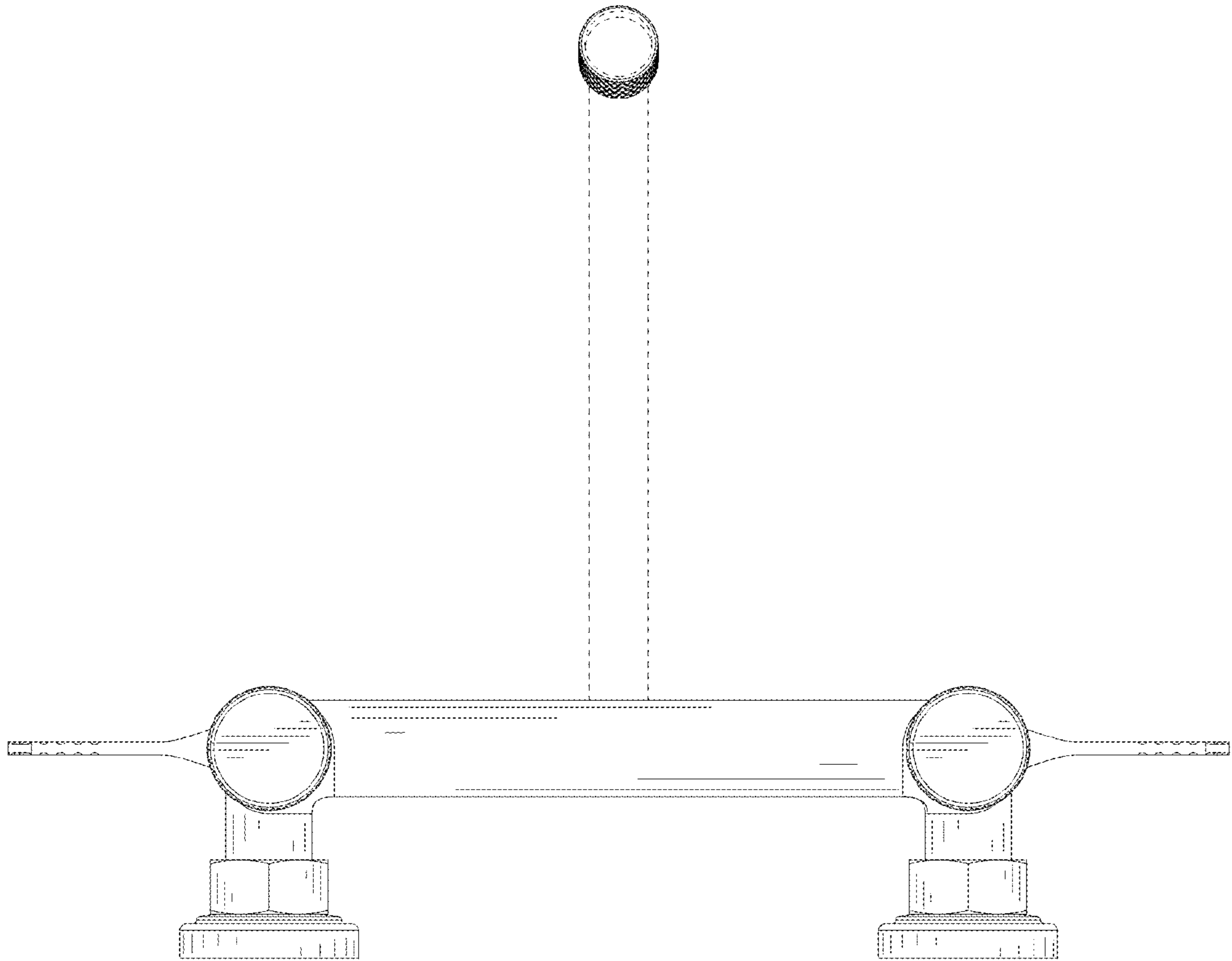


FIG. 8