



US00D985730S

(12) **United States Design Patent**  
**Lazarini et al.**

(10) **Patent No.:** **US D985,730 S**  
(45) **Date of Patent:** **\*\* May 9, 2023**

(54) **FAUCET**

(71) Applicant: **DELTA FAUCET COMPANY,**  
Indianapolis, IN (US)

(72) Inventors: **Alejandra Lazarini,** Cornelius, NC  
(US); **Benjamin Stoler,** Carmel, IN  
(US)

(73) Assignee: **DELTA FAUCET COMPANY,**  
Indianapolis, IN (US)

(\*\*) Term: **15 Years**

(21) Appl. No.: **29/819,471**

(22) Filed: **Dec. 15, 2021**

(51) **LOC (14) Cl.** ..... **23-01**

(52) **U.S. Cl.**  
USPC ..... **D23/238**

(58) **Field of Classification Search**  
USPC ..... D23/238–243, 250, 252, 254–255, 257;  
D8/307–308

See application file for complete search history.

(56) **References Cited**

**U.S. PATENT DOCUMENTS**

D896,348 S \* 9/2020 Zhang ..... D23/238  
D914,844 S \* 3/2021 Eads ..... D23/238

D936,184 S \* 11/2021 Lazarini ..... D23/252  
D954,905 S \* 6/2022 Liao ..... D23/238  
D963,113 S \* 9/2022 Witt ..... D23/238  
2020/0157787 A1 \* 5/2020 Benstead ..... E03C 1/0402

\* cited by examiner

*Primary Examiner* — Robert A Delehanty

(74) *Attorney, Agent, or Firm* — Jeffrey L. Doyle

(57) **CLAIM**

The ornamental design for a faucet, as shown and described.

**DESCRIPTION**

FIG. 1 is a front perspective view of a faucet showing our new design;

FIG. 2 is a rear perspective view thereof;

FIG. 3 is a front elevational view thereof;

FIG. 4 is a left side view thereof;

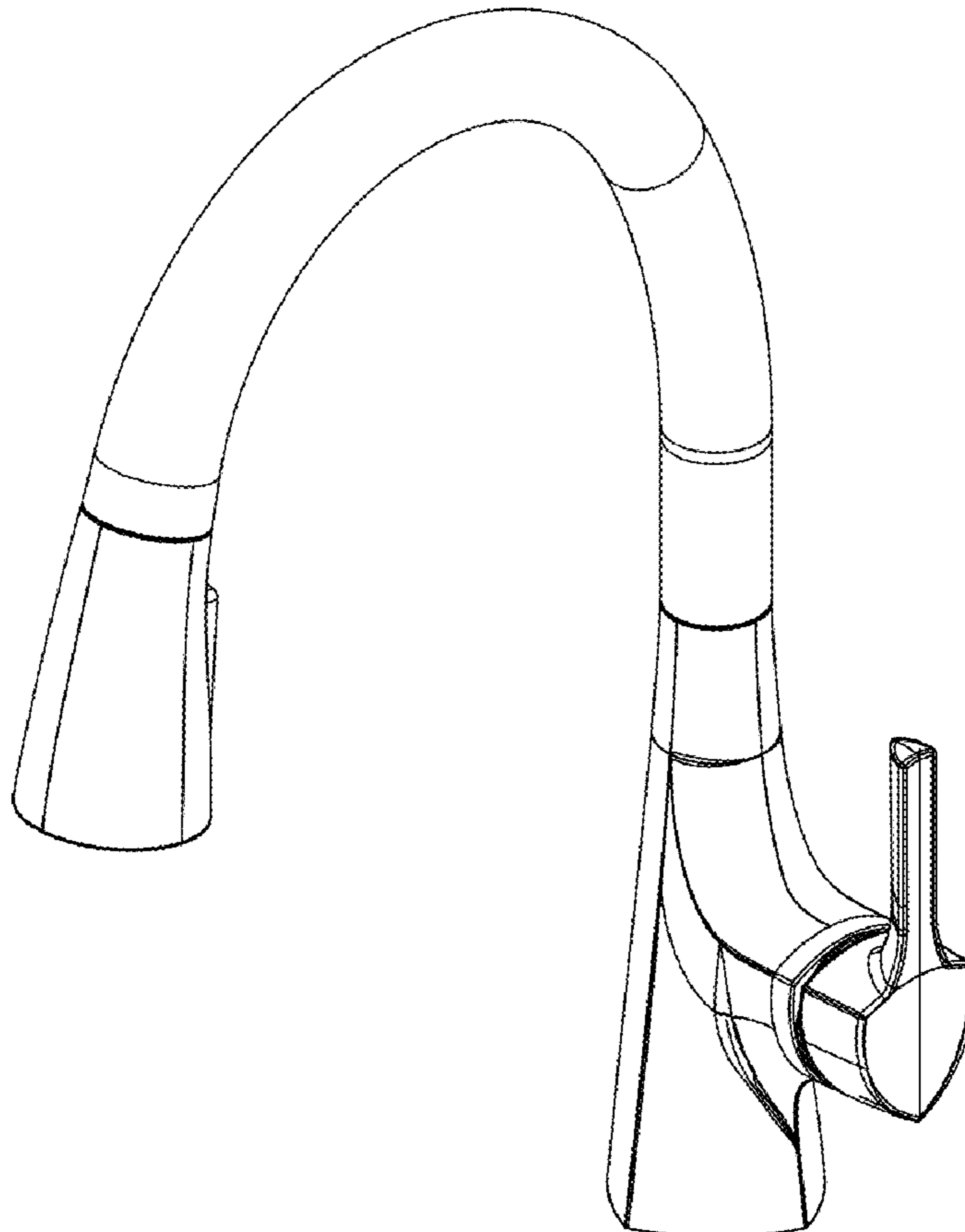
FIG. 5 is a rear view thereof;

FIG. 6 is a right side view thereof;

FIG. 7 is a top plan view thereof; and,

FIG. 8 is a bottom view thereof.

**1 Claim, 4 Drawing Sheets**



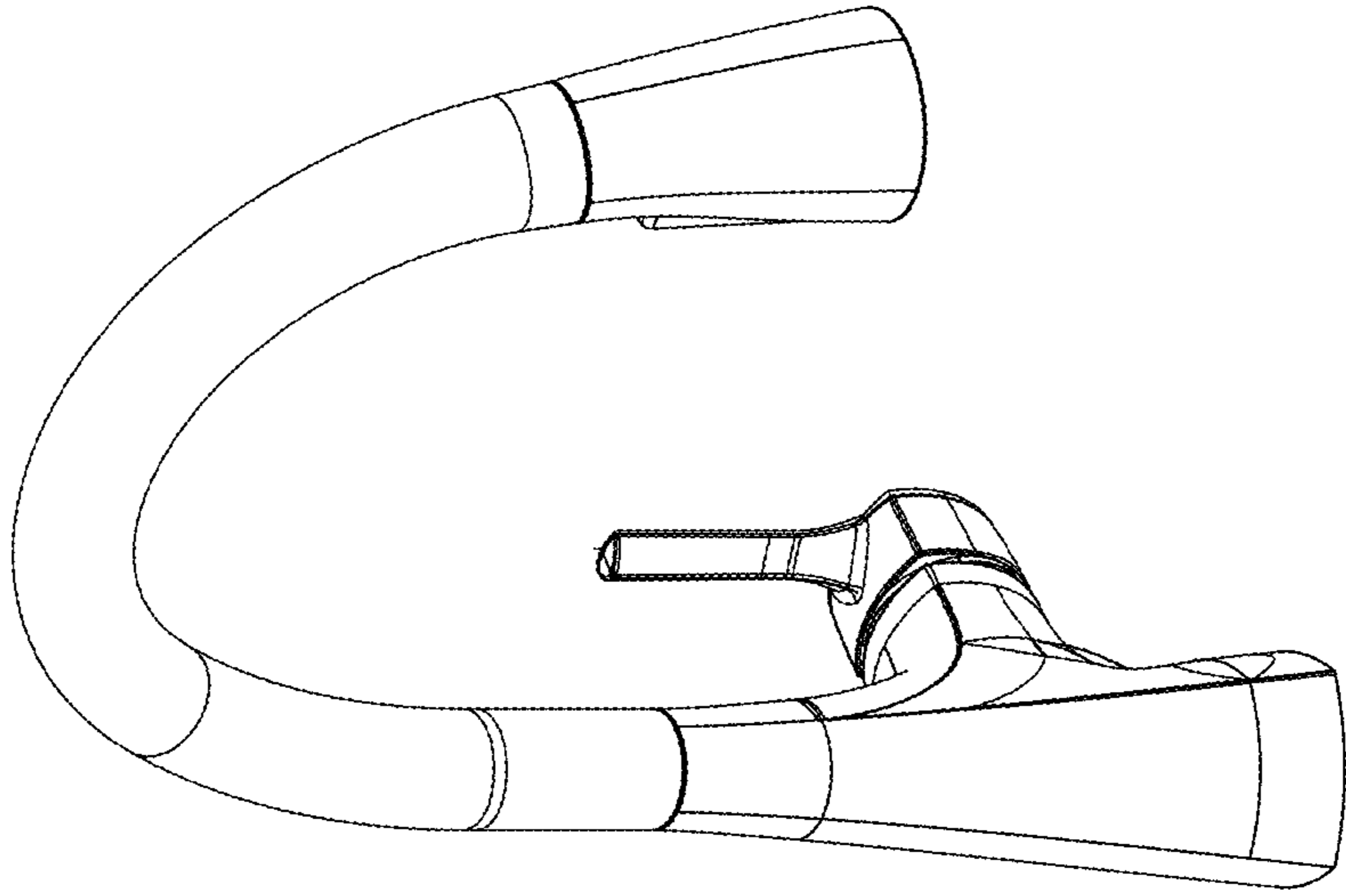


Fig. 2

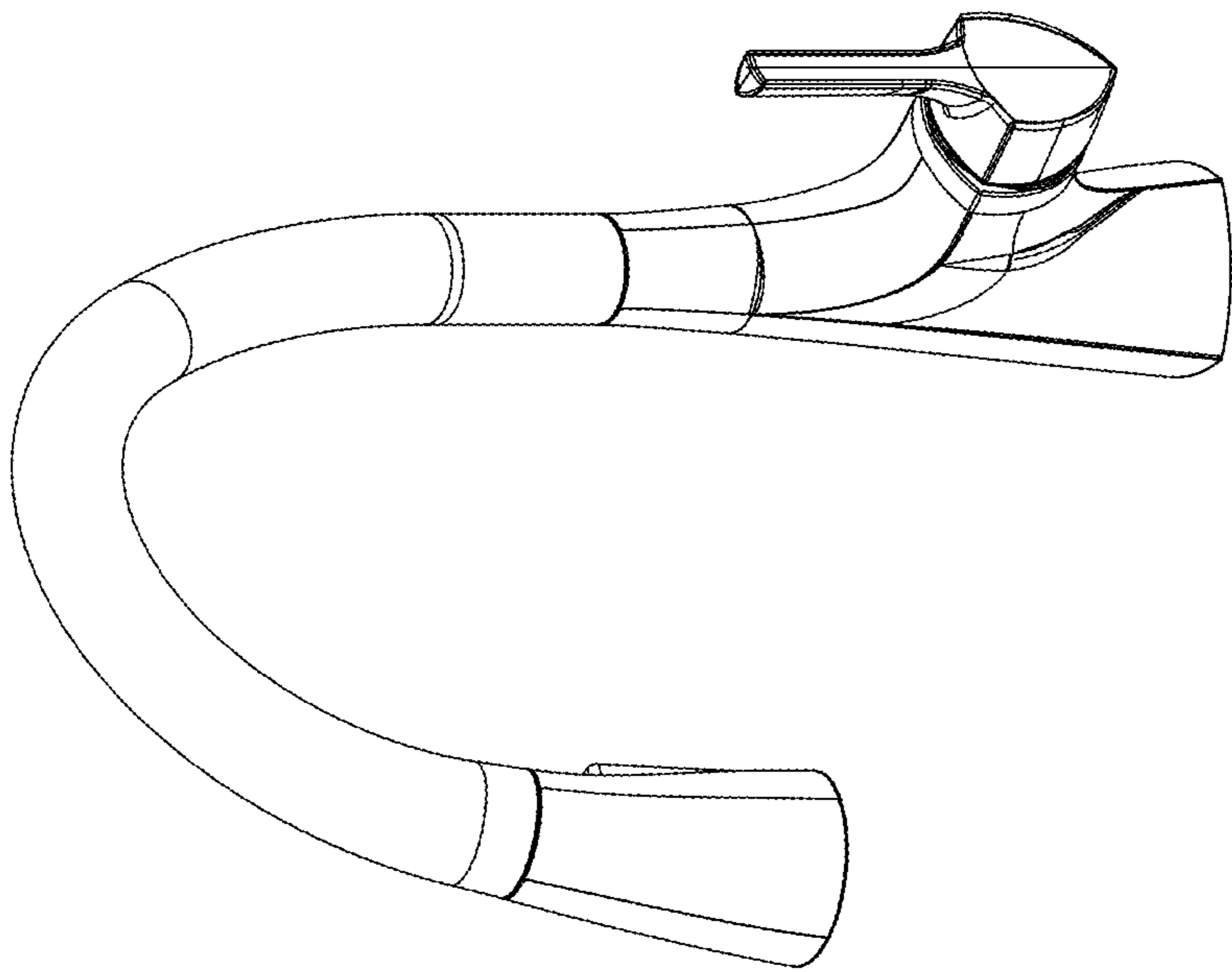


Fig. 1

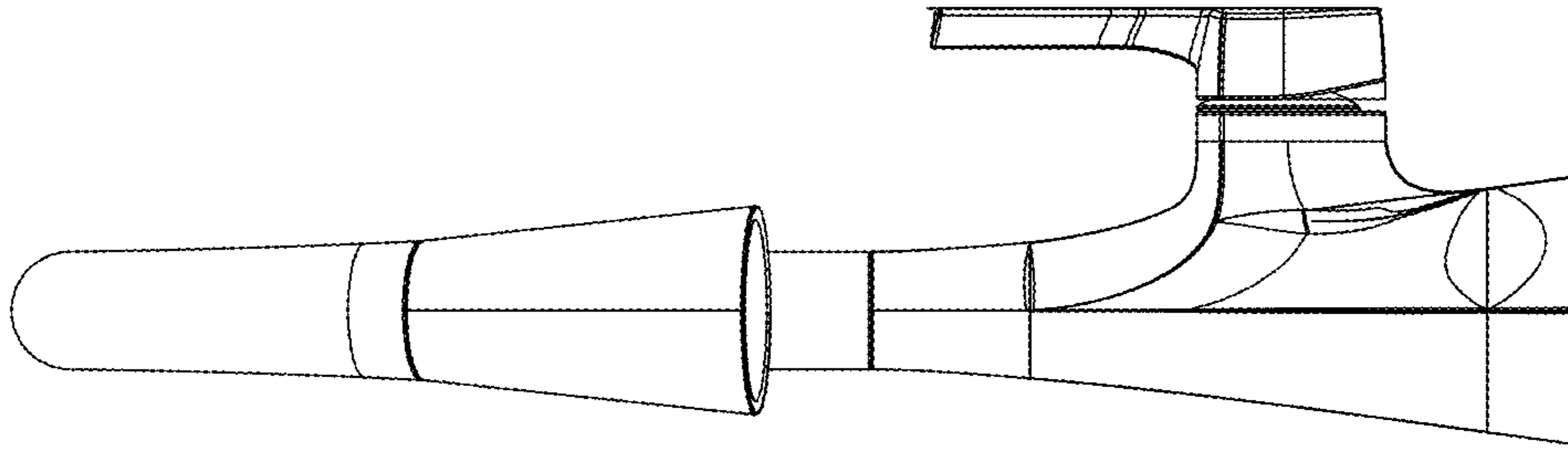


Fig. 4

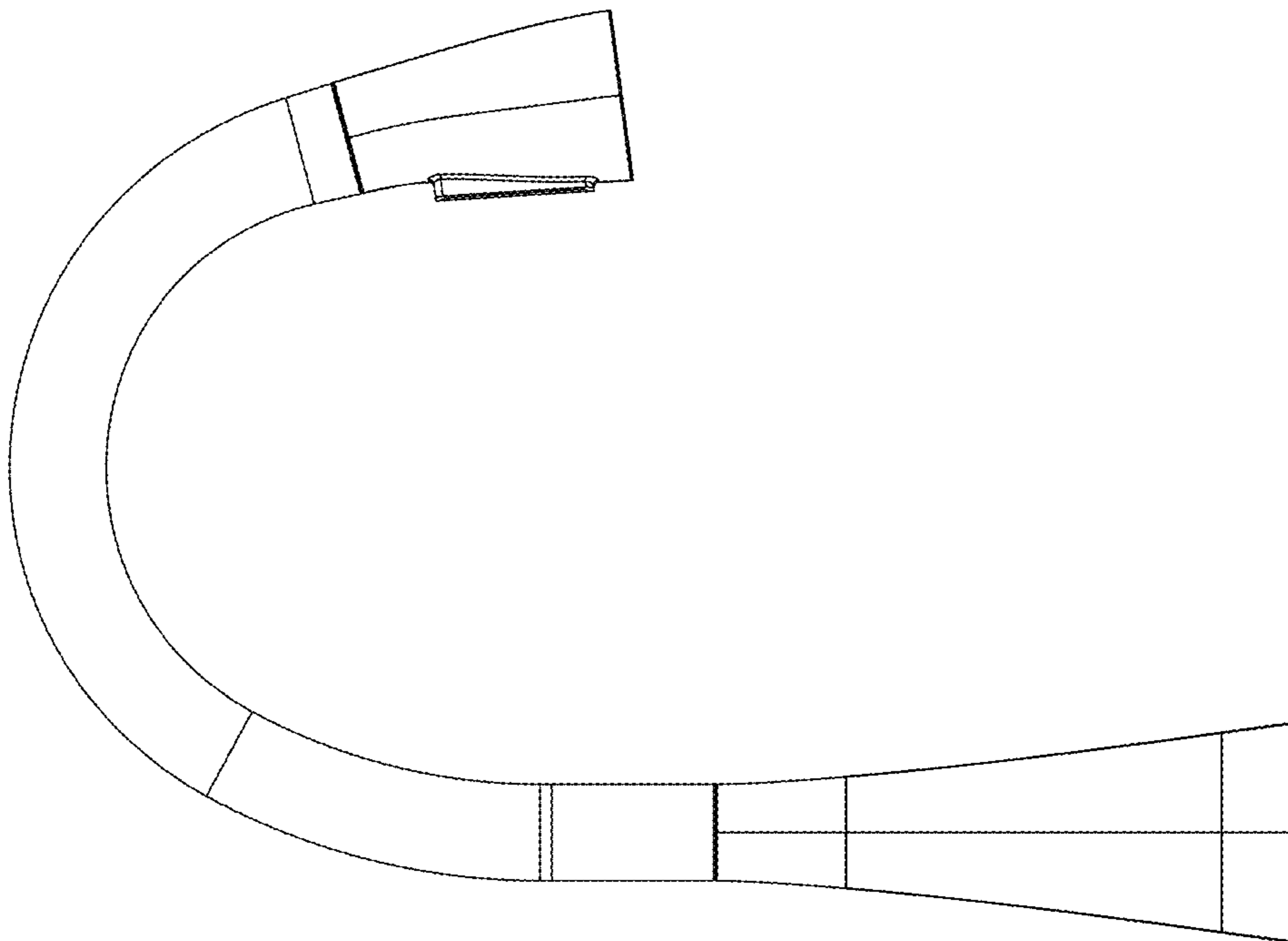


Fig. 3

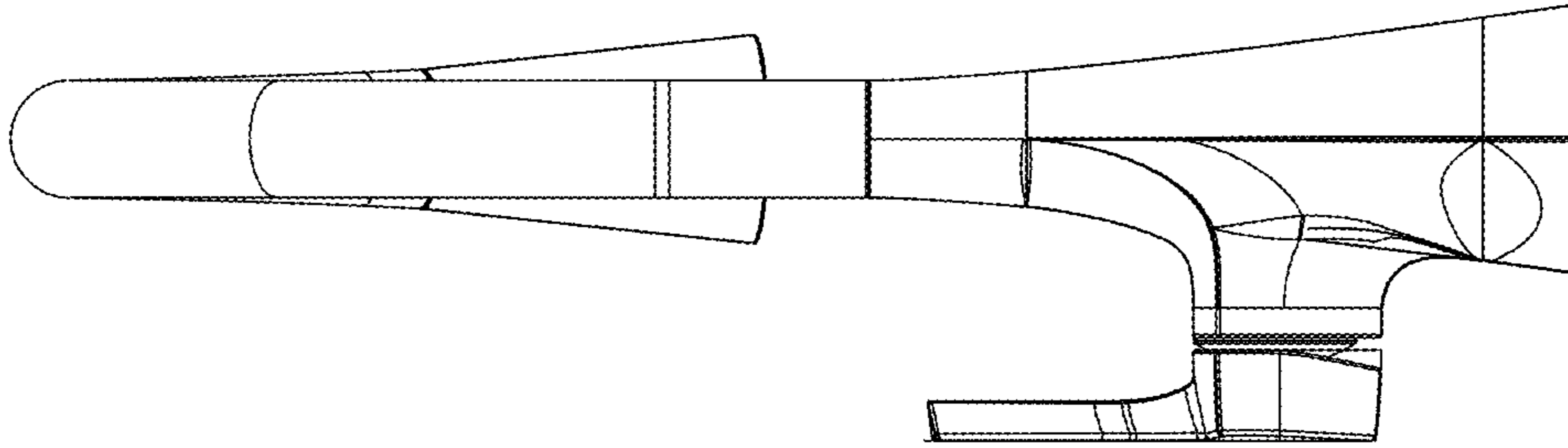


Fig. 6

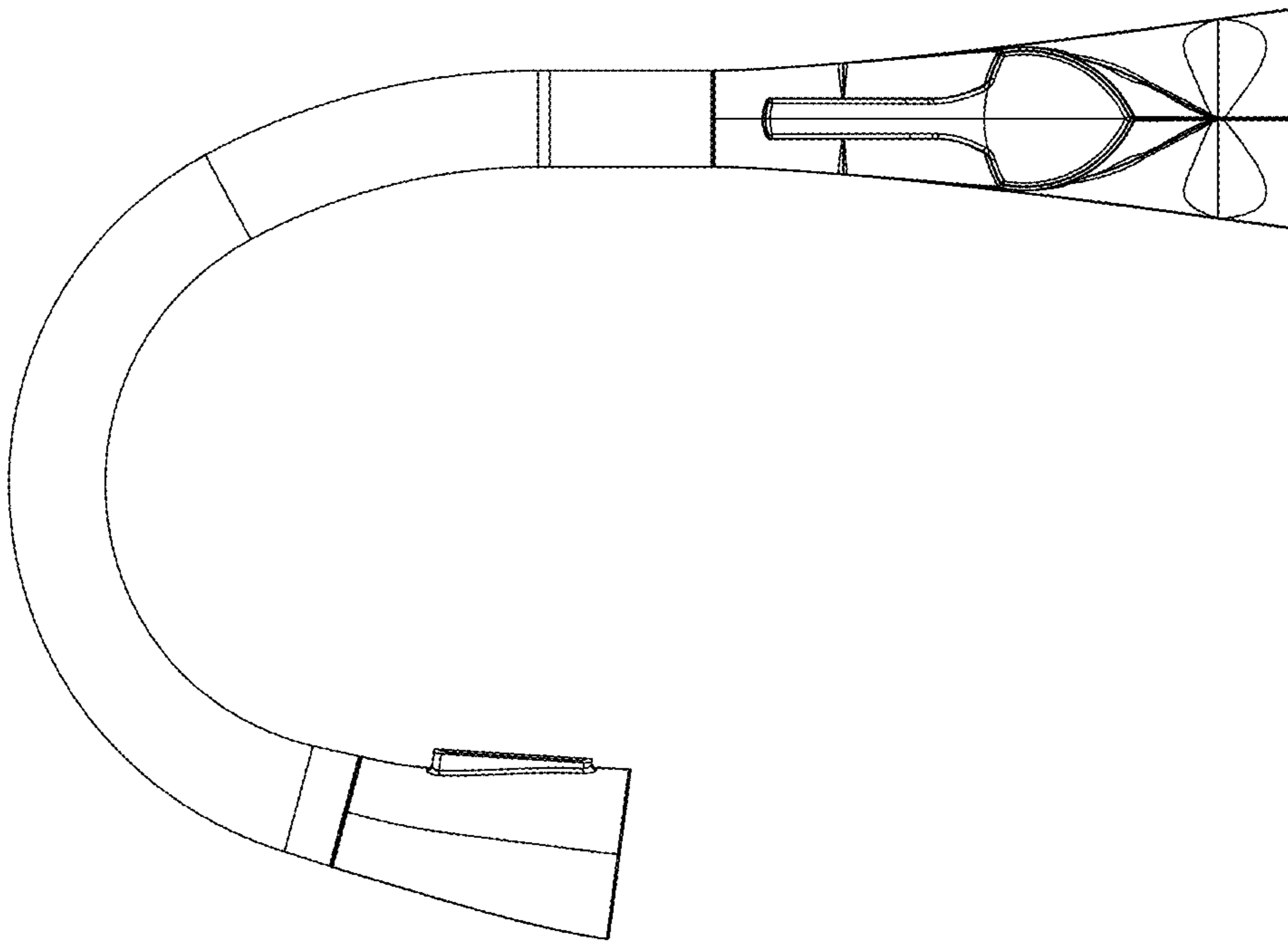


Fig. 5

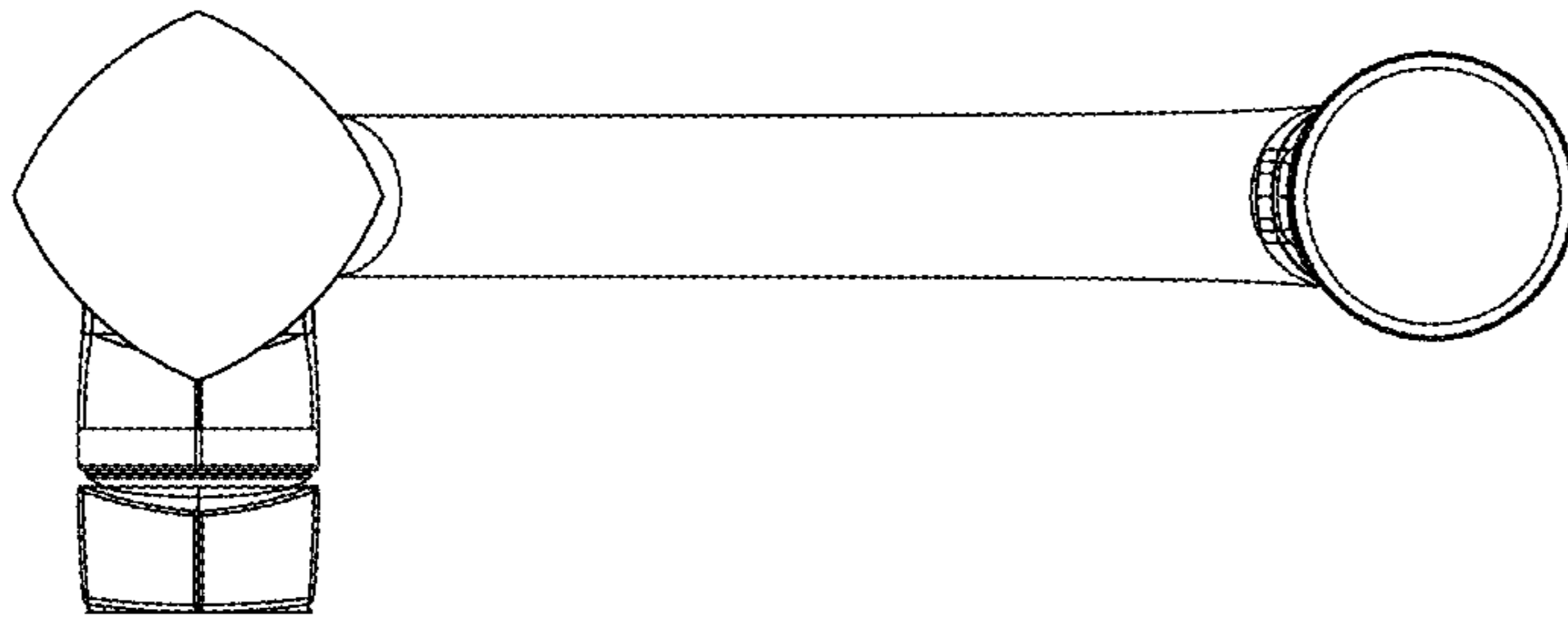


Fig. 8

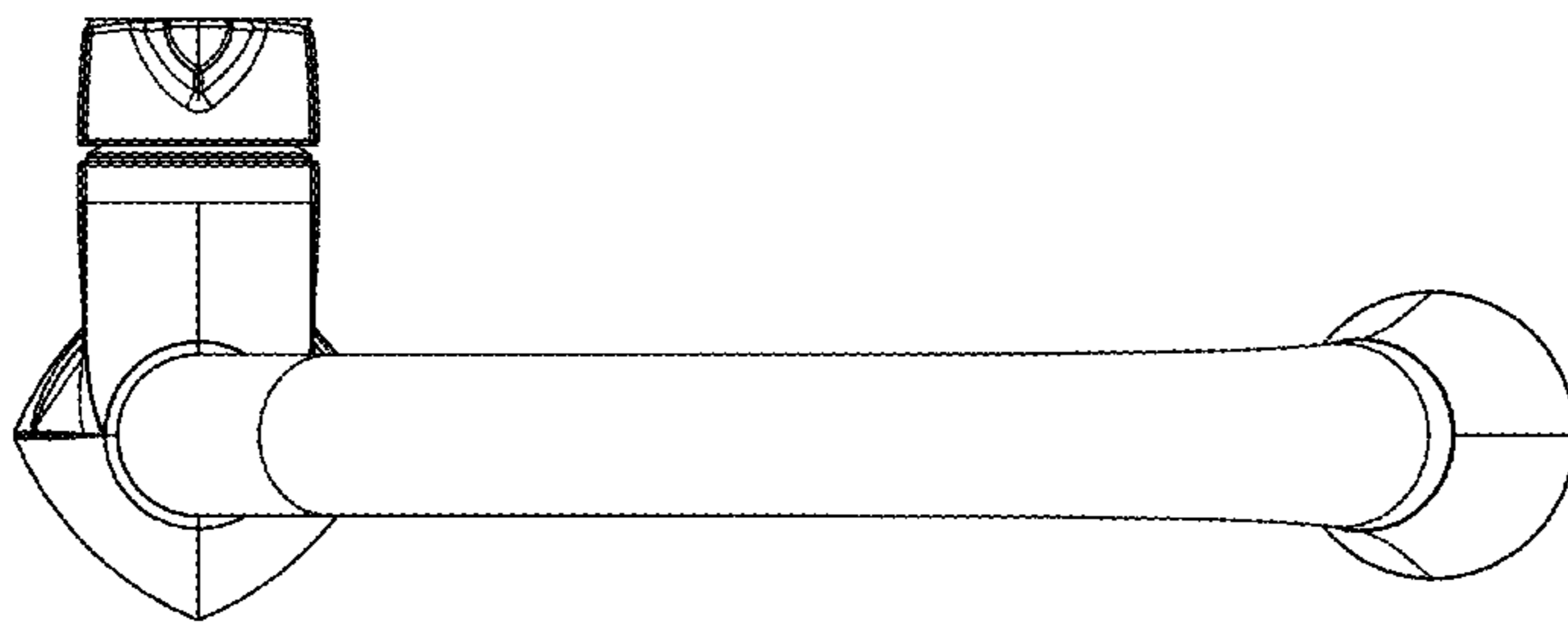


Fig. 7