



US00D985728S

(12) **United States Design Patent**
Tan

(10) **Patent No.:** **US D985,728 S**

(45) **Date of Patent:** **** May 9, 2023**

(54) **FAUCET**

(71) Applicant: **Xiaoyu Tan**, Chongqing (CN)

(72) Inventor: **Xiaoyu Tan**, Chongqing (CN)

(**) Term: **15 Years**

(21) Appl. No.: **29/778,566**

(22) Filed: **Apr. 14, 2021**

(51) **LOC (14) Cl.** **23-01**

(52) **U.S. Cl.**
USPC **D23/238**

(58) **Field of Classification Search**
USPC D23/238, 239, 240, 241, 242, 243, 246,
D23/247, 249, 250, 251, 252, 253, 254,
D23/255, 256, 257

CPC E03C 1/01; E03C 1/0409; E03C 1/025;
E03C 1/0408; E03C 1/04; E03C 1/0401;
E03C 1/0402; E03C 1/0405; E03C
1/0412

See application file for complete search history.

(56) **References Cited**

U.S. PATENT DOCUMENTS

D644,718 S *	9/2011	Flowers	D23/238
D659,800 S *	5/2012	Flowers	D23/241
D667,533 S *	9/2012	Lammel	D23/238
D726,880 S *	4/2015	Kington	D23/238
D796,636 S *	9/2017	Downey	D23/238
D857,168 S *	8/2019	Soulier	D23/238
D896,924 S *	9/2020	Takahashi	D23/238
D900,970 S *	11/2020	Takahashi	D23/238
D912,209 S *	3/2021	Liu	D23/238
D913,432 S *	3/2021	Ando	D23/238
D915,555 S *	4/2021	Lin	D23/242
D947,324 S *	3/2022	Tu	D23/238
D947,997 S *	4/2022	Goetzen	D23/238

D956,180 S *	6/2022	Chiang	D23/238
D967,934 S *	10/2022	Kulig	D23/238
D973,182 S *	12/2022	Han	D23/238

FOREIGN PATENT DOCUMENTS

CN	201630027070.6	*	1/2016
CN	202130098097.5	*	2/2021

OTHER PUBLICATIONS

Amazon, Gudetap Brushed Nickel Bathroom Faucet Single Hole, posted Dec. 14, 2020, [online], [visited Dec. 26, 2022]. Internet, <URL: <https://www.amazon.co.uk/Brushed-Nickel-Bathroom-Washbasin-GT7990N/dp/B08QH4PZ1/ref>> (Year: 2020).*

Amazon, Gricol Bathroom Basin Tap, posted Jun. 9, 2020, [online], [visited Dec. 26, 2022]. Internet, <URL: <https://www.amazon.co.uk/Gricol-Bathroom-Square-Handle-Single/dp/B089VTJFM8/ref>> (Year: 2020).*

* cited by examiner

Primary Examiner — Samantha Wood

(57) **CLAIM**

The ornamental design for a faucet, as shown and described.

DESCRIPTION

FIG. 1 is a left and rear perspective view of a faucet showing my new design;

FIG. 2 is a right and top perspective view thereof;

FIG. 3 is a front elevation view thereof;

FIG. 4 is a rear elevation view thereof;

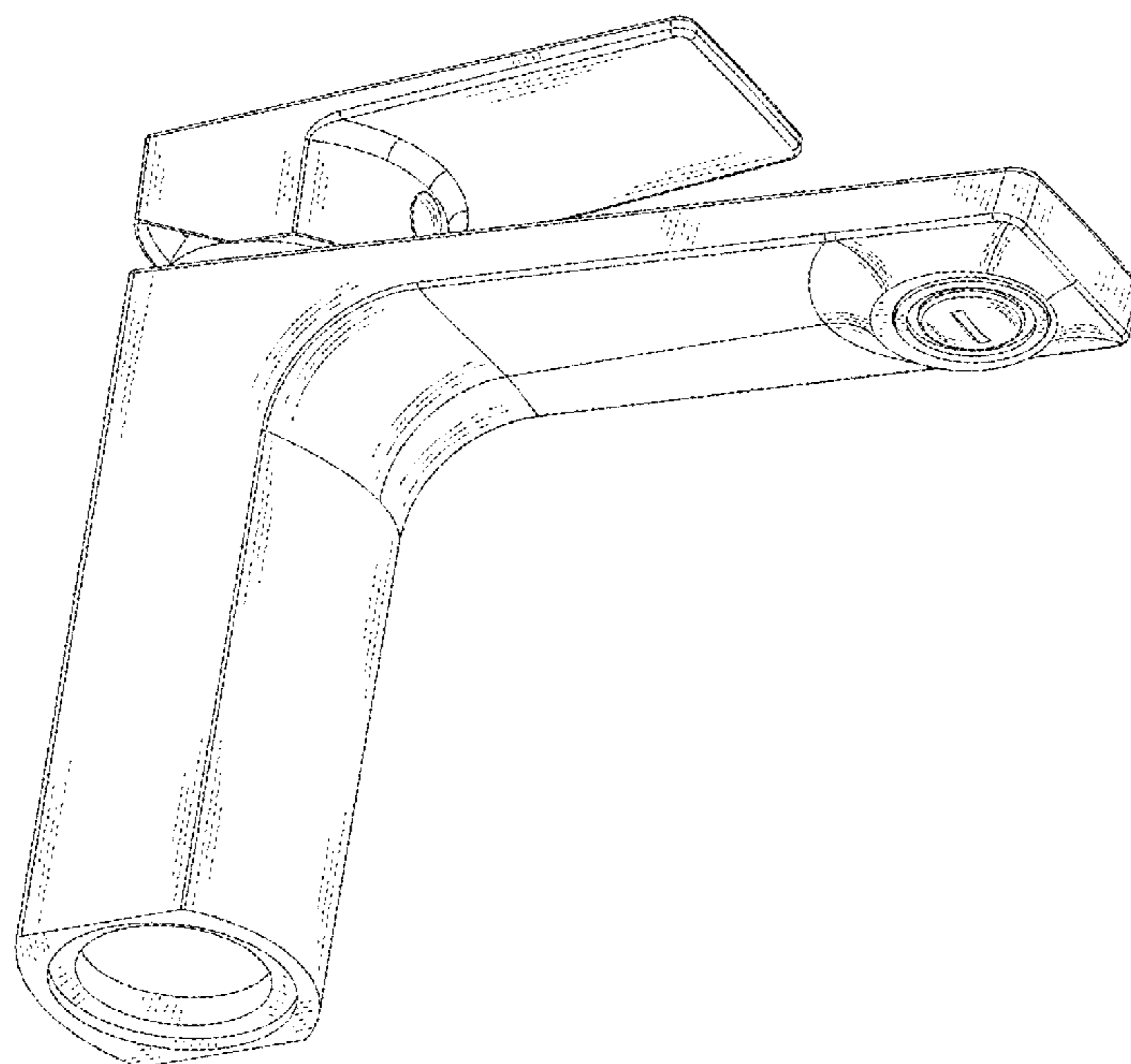
FIG. 5 is a left side elevation view thereof;

FIG. 6 is a right side elevation view thereof;

FIG. 7 is a top plan view thereof; and,

FIG. 8 is a bottom plan view thereof.

1 Claim, 8 Drawing Sheets



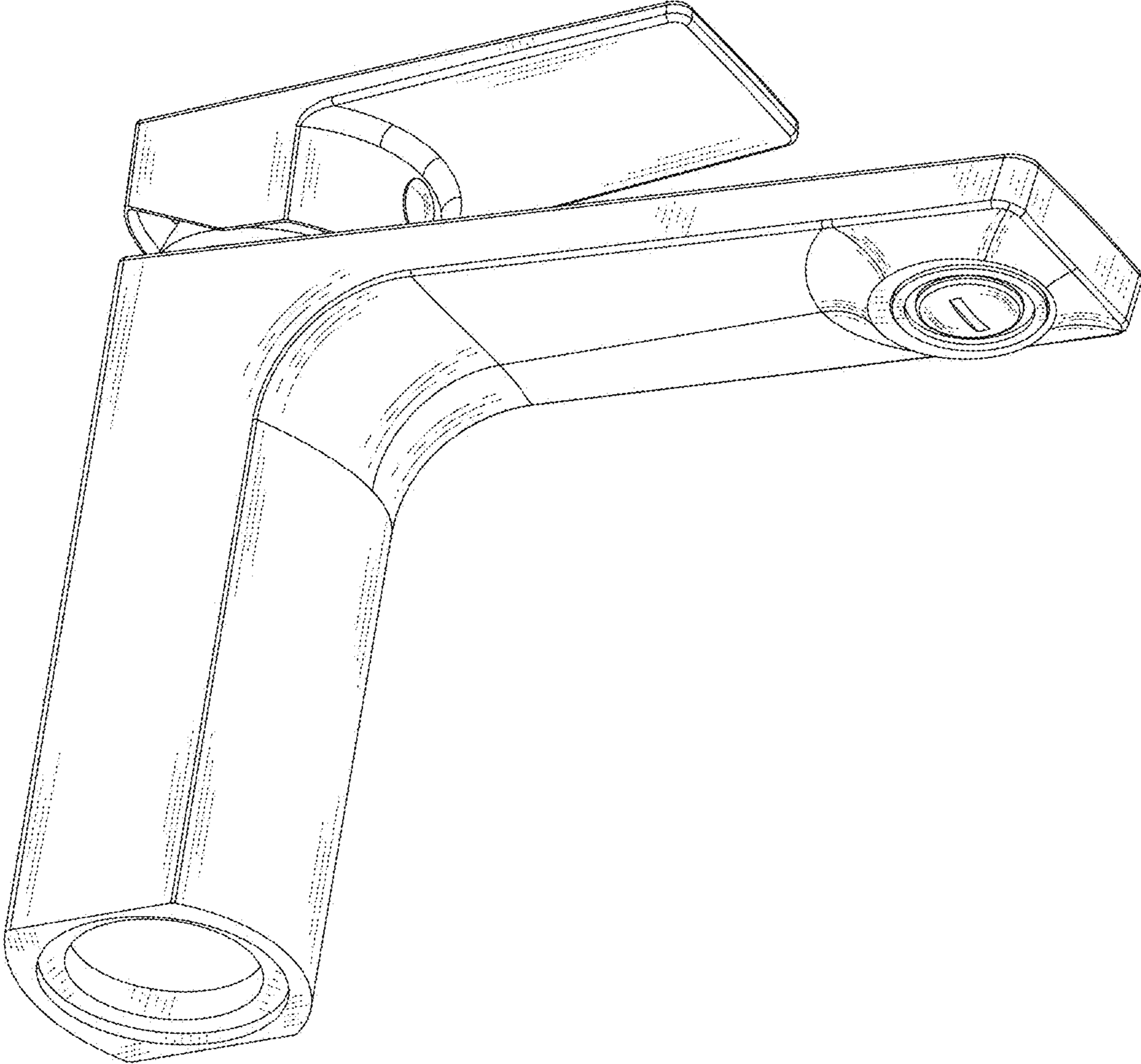


FIG.1

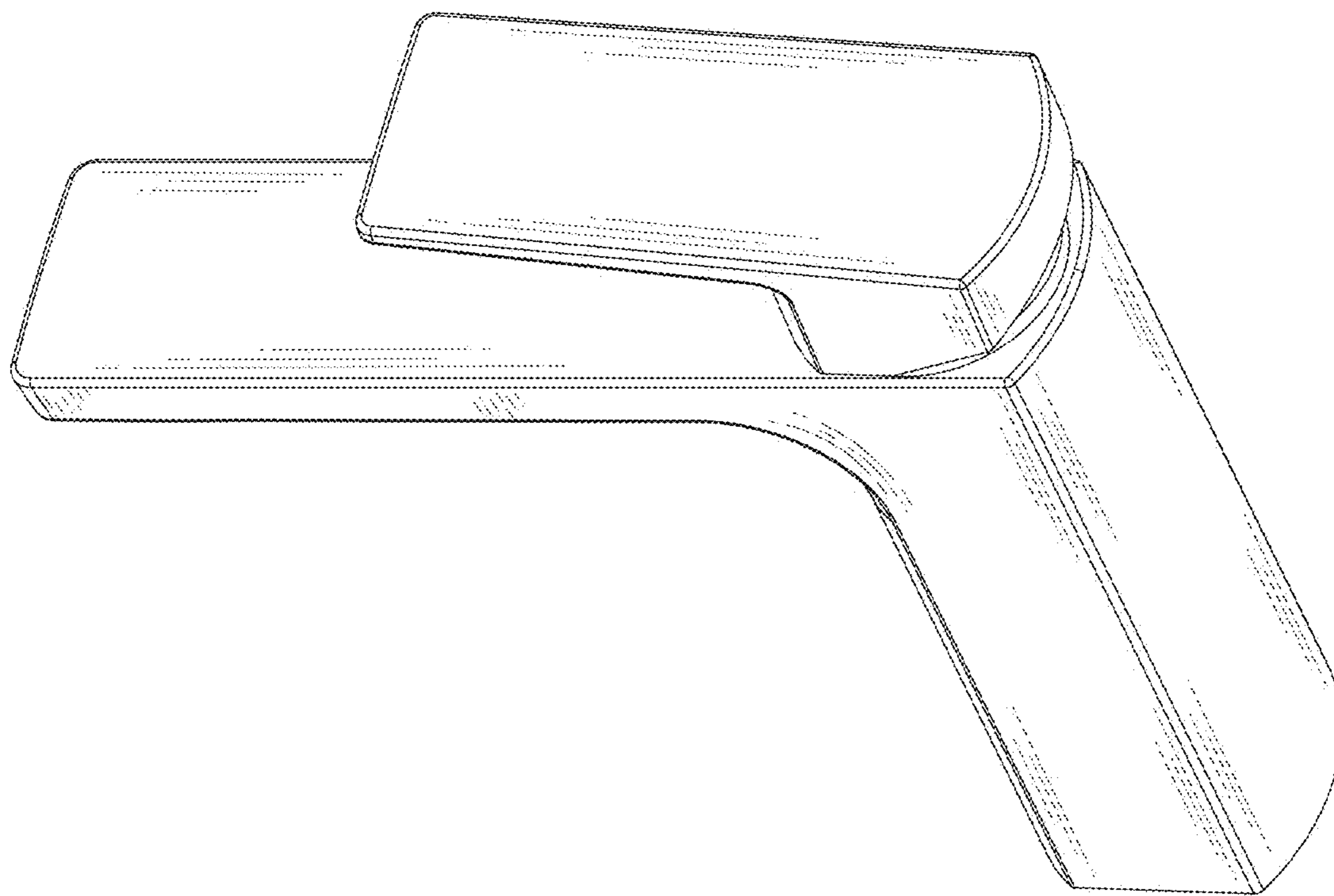


FIG.2

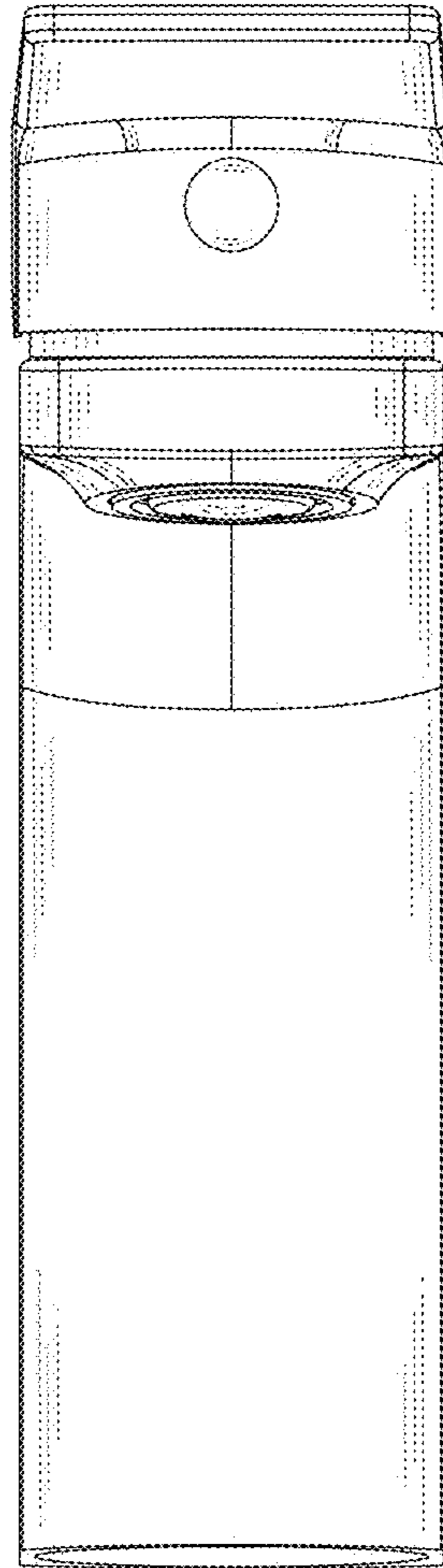


FIG.3

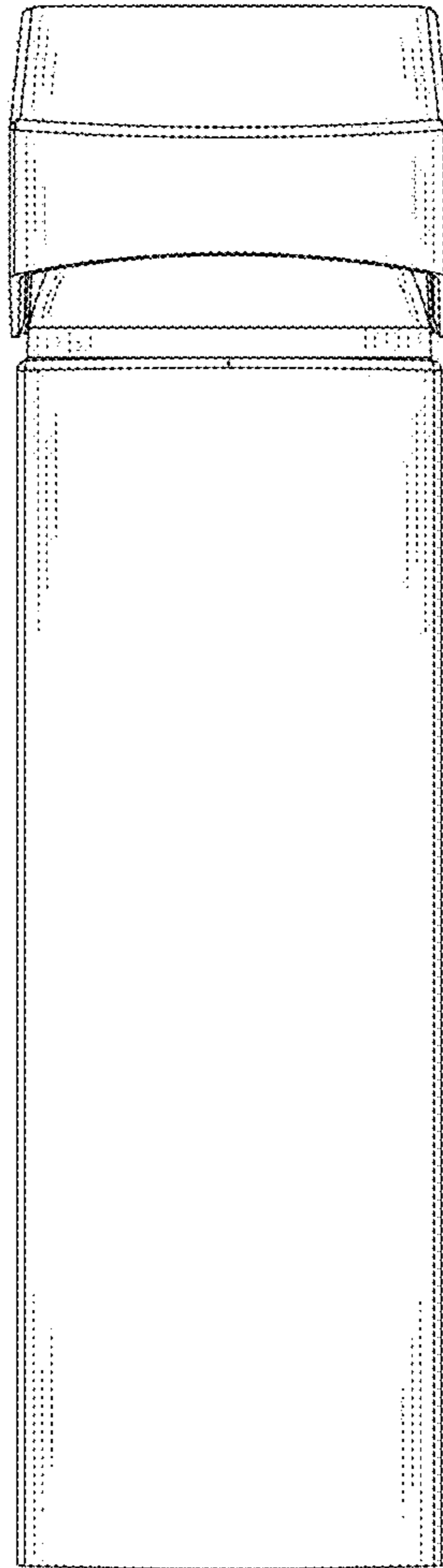


FIG. 4

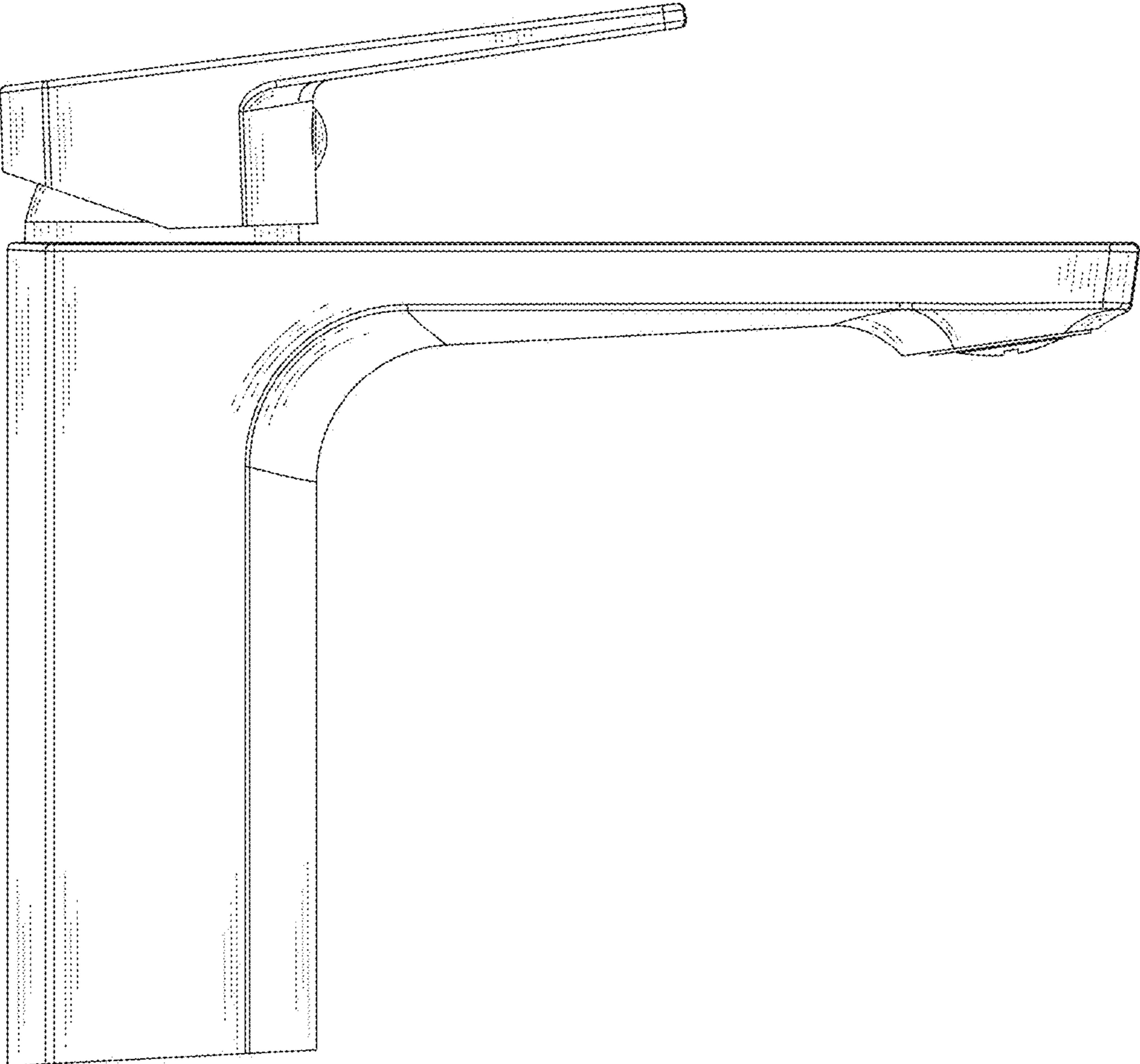


FIG.5

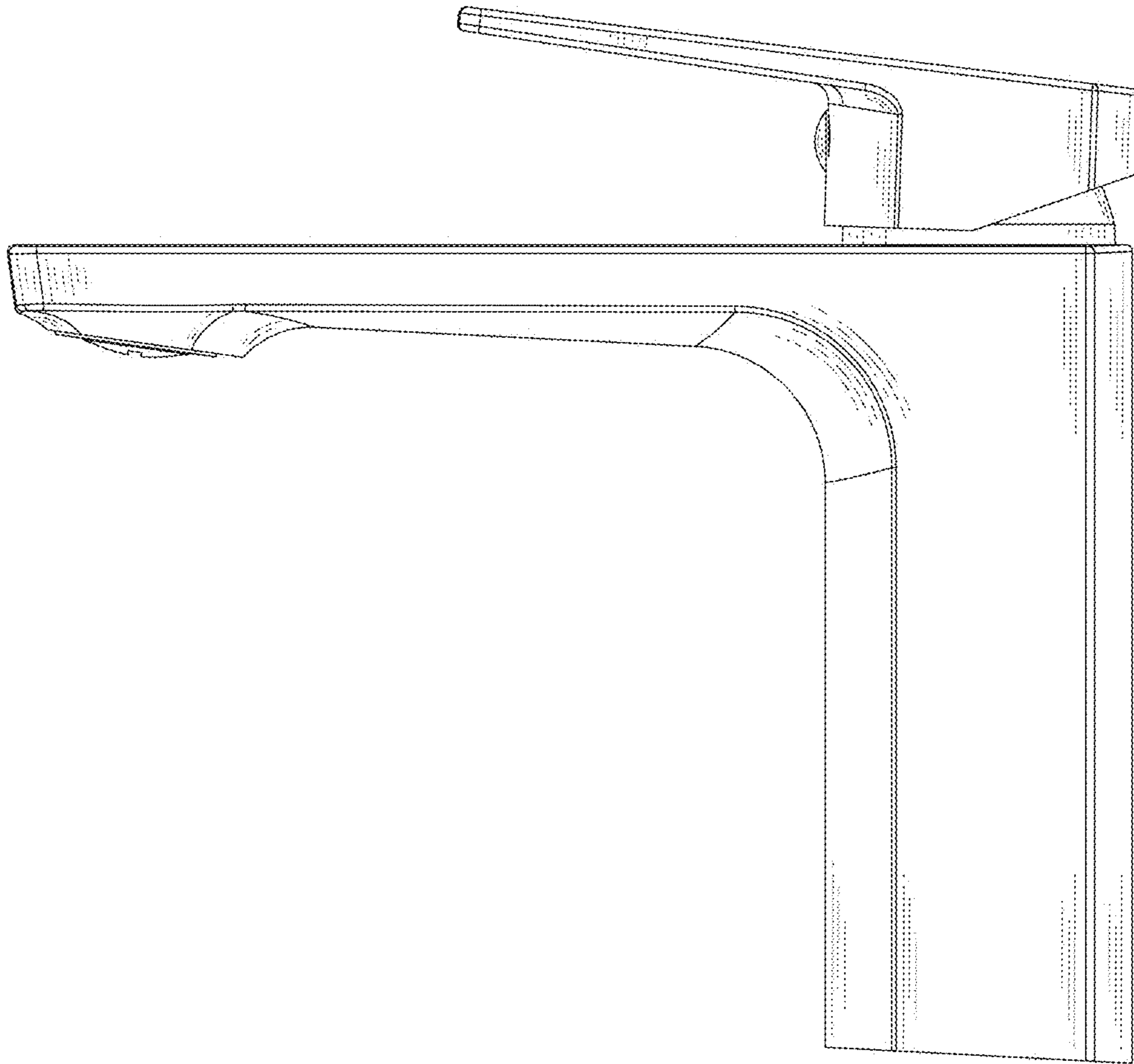


FIG.6

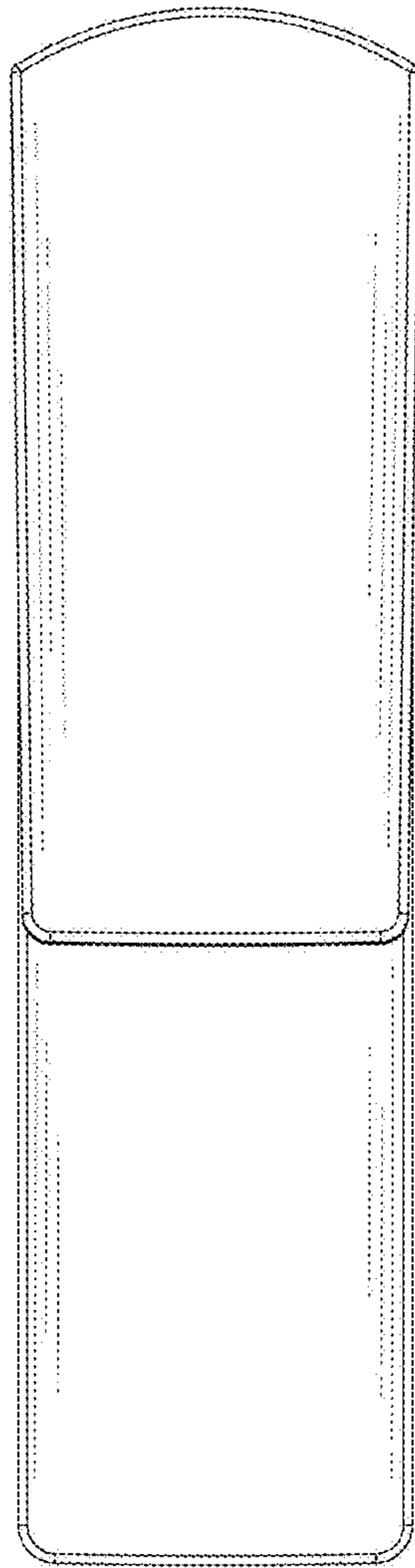


FIG. 7

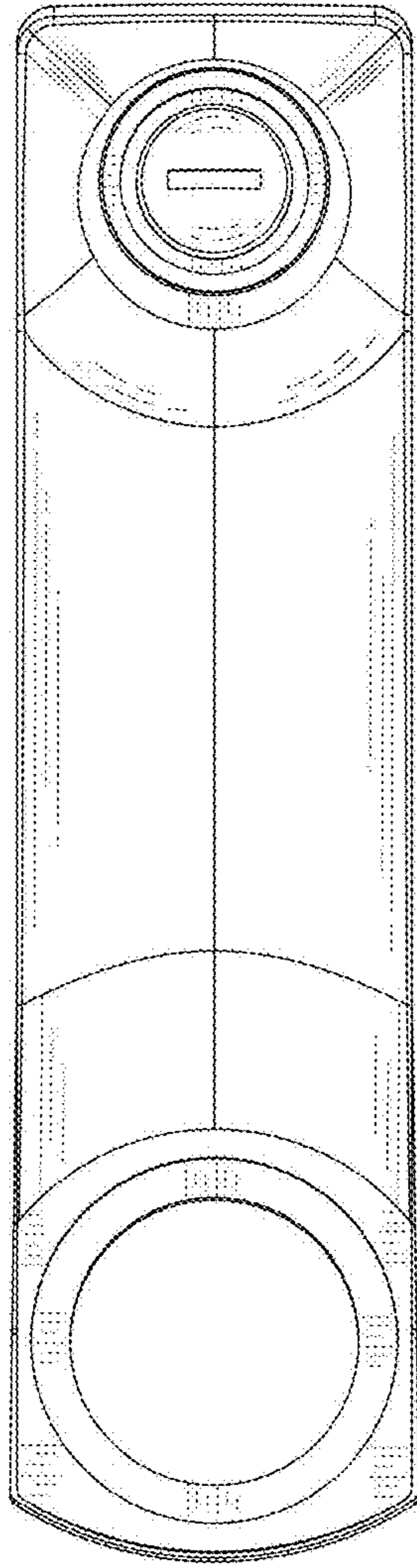


FIG. 8