



US00D985726S

(12) **United States Design Patent**  
**Para et al.**

(10) **Patent No.:** **US D985,726 S**

(45) **Date of Patent:** **\*\* May 9, 2023**

(54) **FAUCET BODY**

(71) Applicant: **DELTA FAUCET COMPANY,**  
Indianapolis, IN (US)

(72) Inventors: **Lauren Para,** Lisle, IL (US);  
**Alejandra Lazarini,** Carmel, IN (US)

(73) Assignee: **DELTA FAUCET COMPANY,**  
Indianapolis, IN (US)

(\*\*) Term: **15 Years**

(21) Appl. No.: **29/777,624**

(22) Filed: **Apr. 7, 2021**

(51) **LOC (14) Cl.** ..... **23-01**

(52) **U.S. Cl.**  
USPC ..... **D23/238**

(58) **Field of Classification Search**  
USPC ..... D23/238–243, 250, 252, 254–255, 257;  
D8/307–308  
See application file for complete search history.

(56) **References Cited**

**U.S. PATENT DOCUMENTS**

D574,469 S \* 8/2008 Soriano ..... D23/255  
D828,508 S \* 9/2018 Fritz ..... D23/238

D954,906 S \* 6/2022 Para ..... D23/238  
D957,577 S \* 7/2022 Upadhyaya ..... D23/238  
D962,391 S \* 8/2022 Stoler ..... D23/238  
D970,692 S \* 11/2022 Kuang ..... D23/238  
D970,695 S \* 11/2022 Lin ..... D23/238

\* cited by examiner

*Primary Examiner* — Robert A Delehanty

(74) *Attorney, Agent, or Firm* — Jeffrey L. Doyle

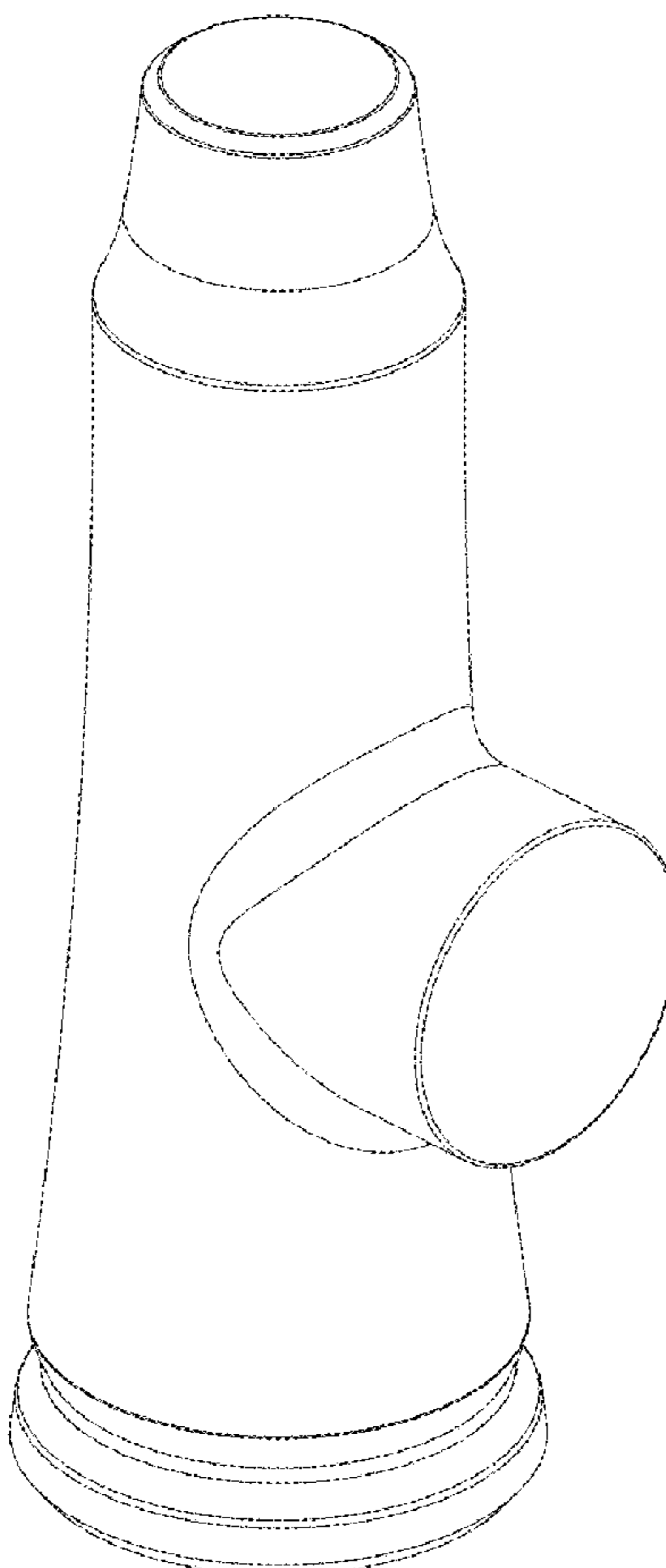
(57) **CLAIM**

The ornamental design for a faucet body, as shown and described.

**DESCRIPTION**

FIG. 1 is a front perspective view of a faucet body showing our new design;  
FIG. 2 is a rear perspective view thereof;  
FIG. 3 is a front elevational view thereof;  
FIG. 4 is a left side view thereof;  
FIG. 5 is a rear view thereof;  
FIG. 6 is a right side view thereof;  
FIG. 7 is a top plan view thereof; and,  
FIG. 8 is a bottom view thereof.

**1 Claim, 4 Drawing Sheets**



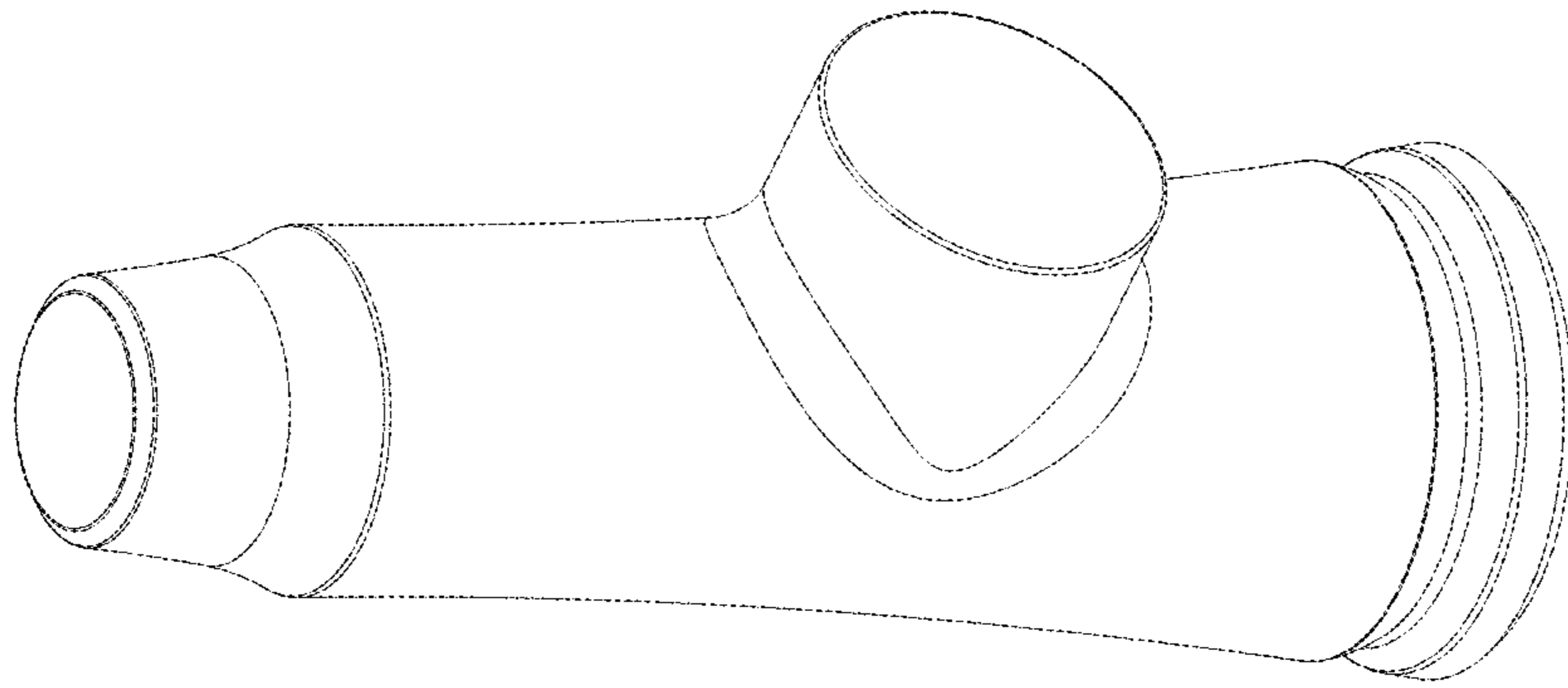


Fig. 2

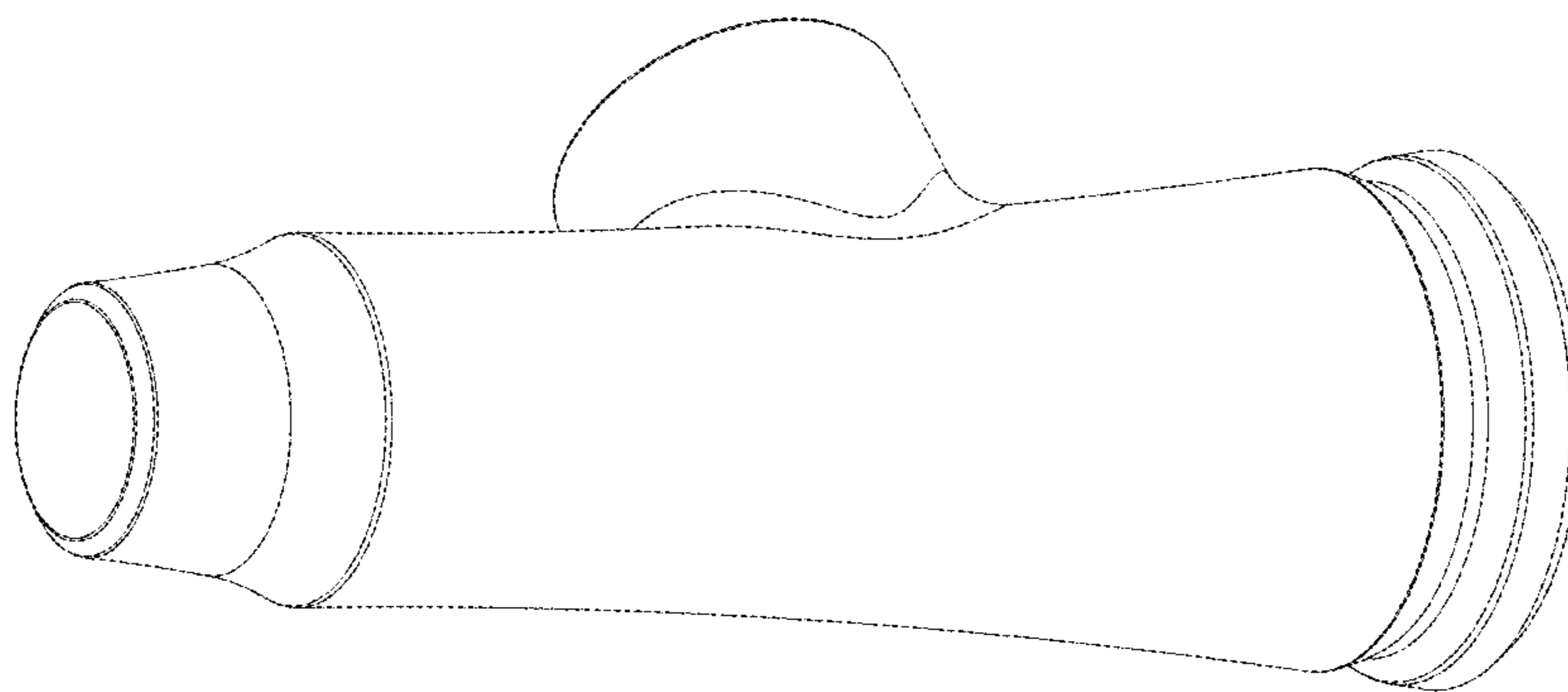


Fig. 1

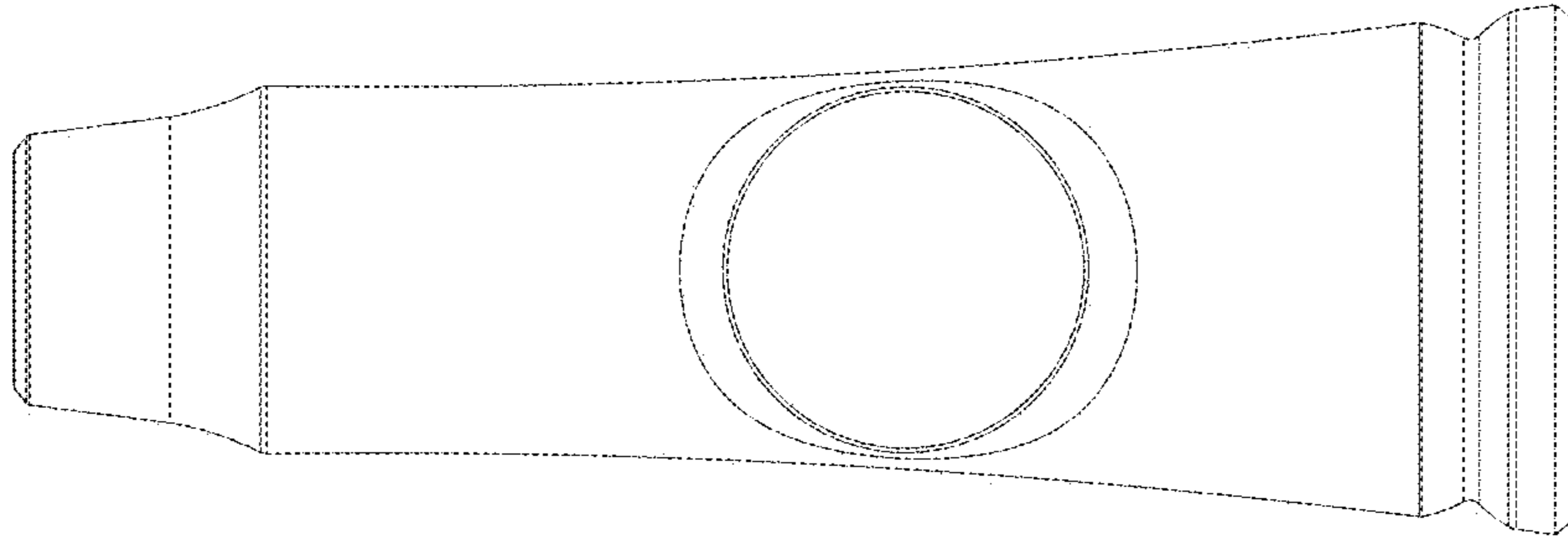


Fig. 4

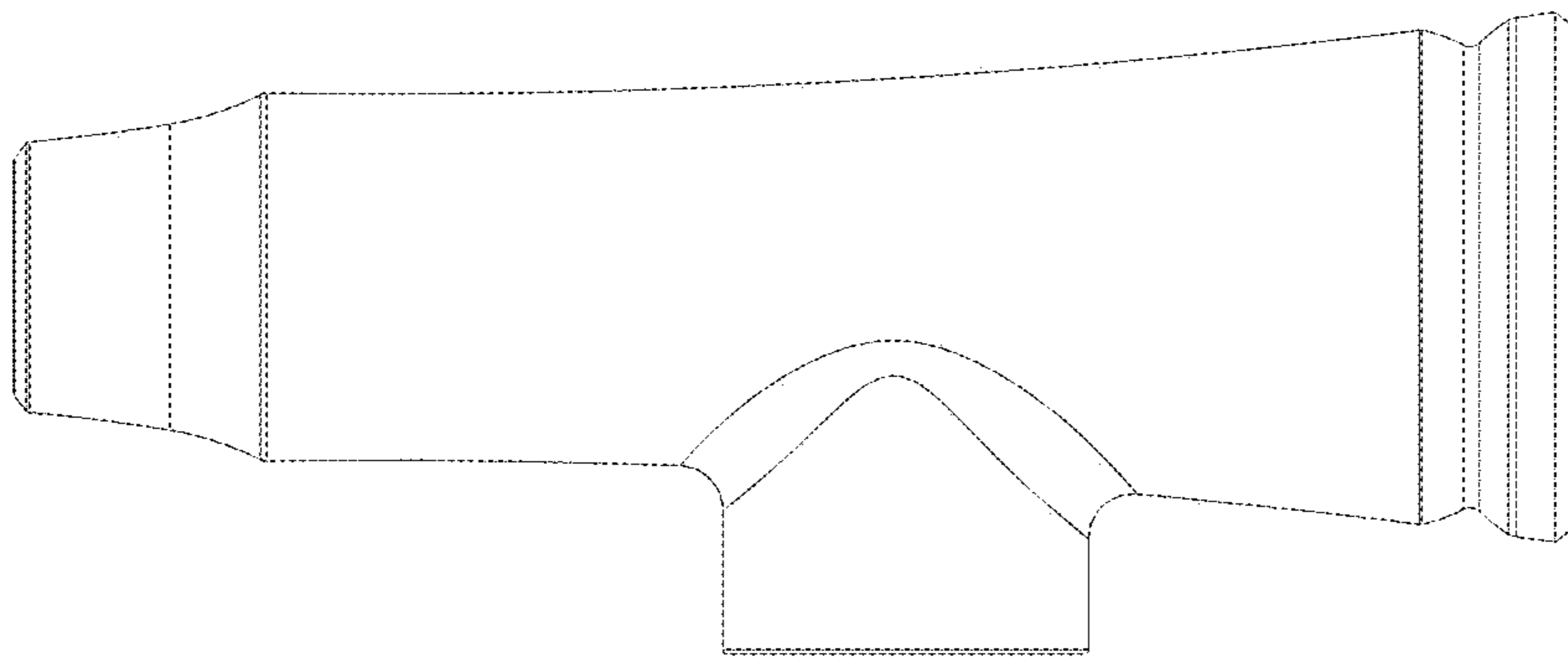


Fig. 3

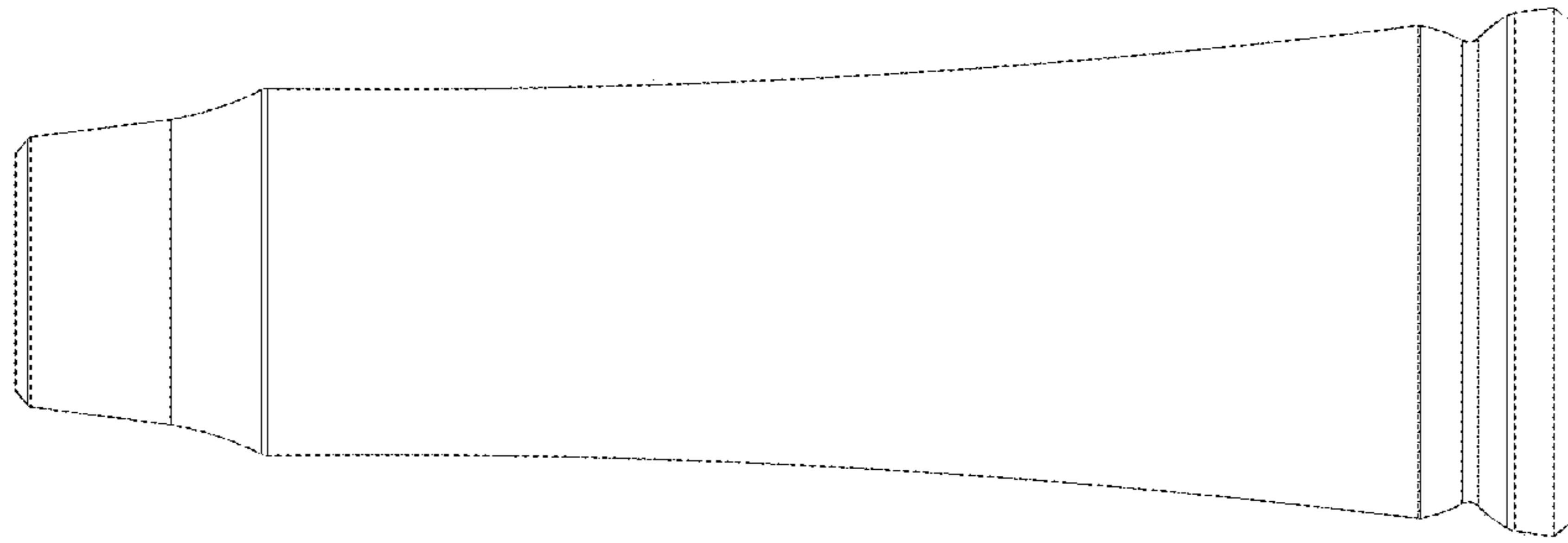


Fig. 6

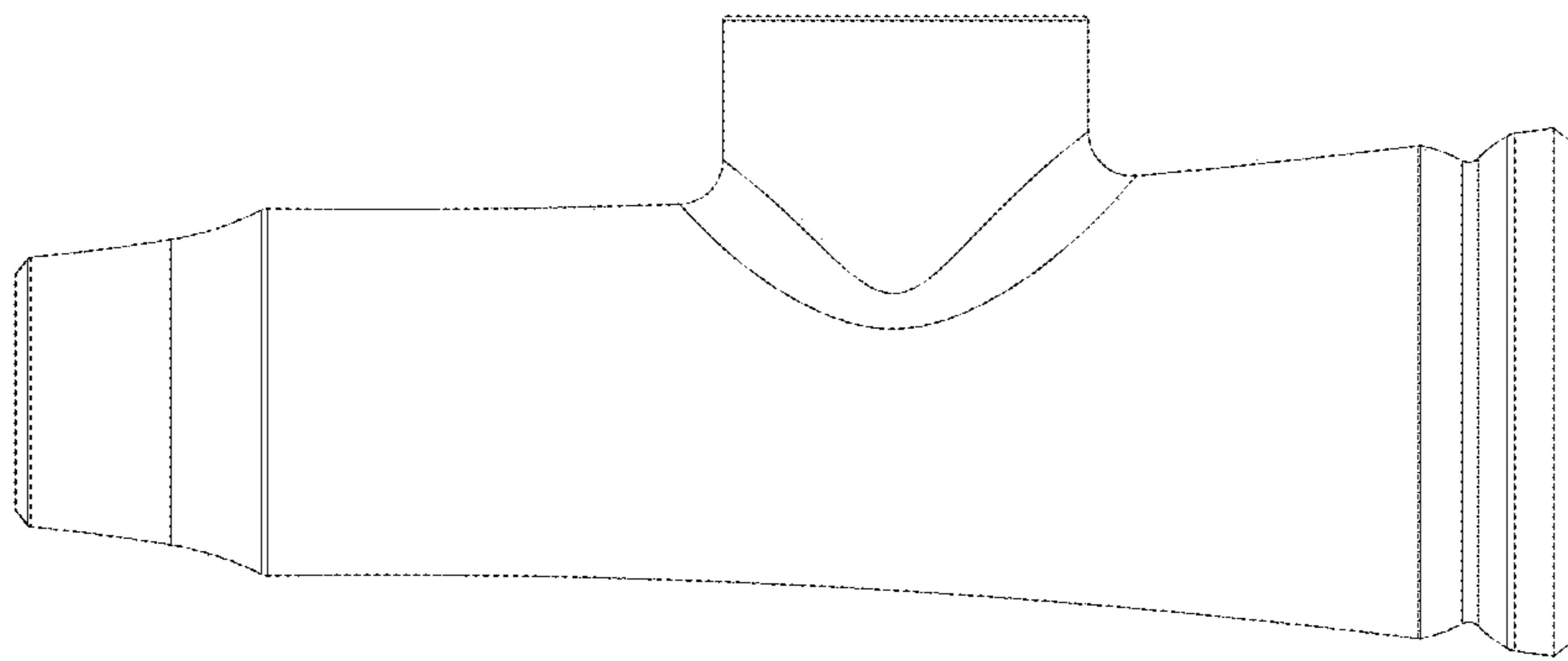


Fig. 5

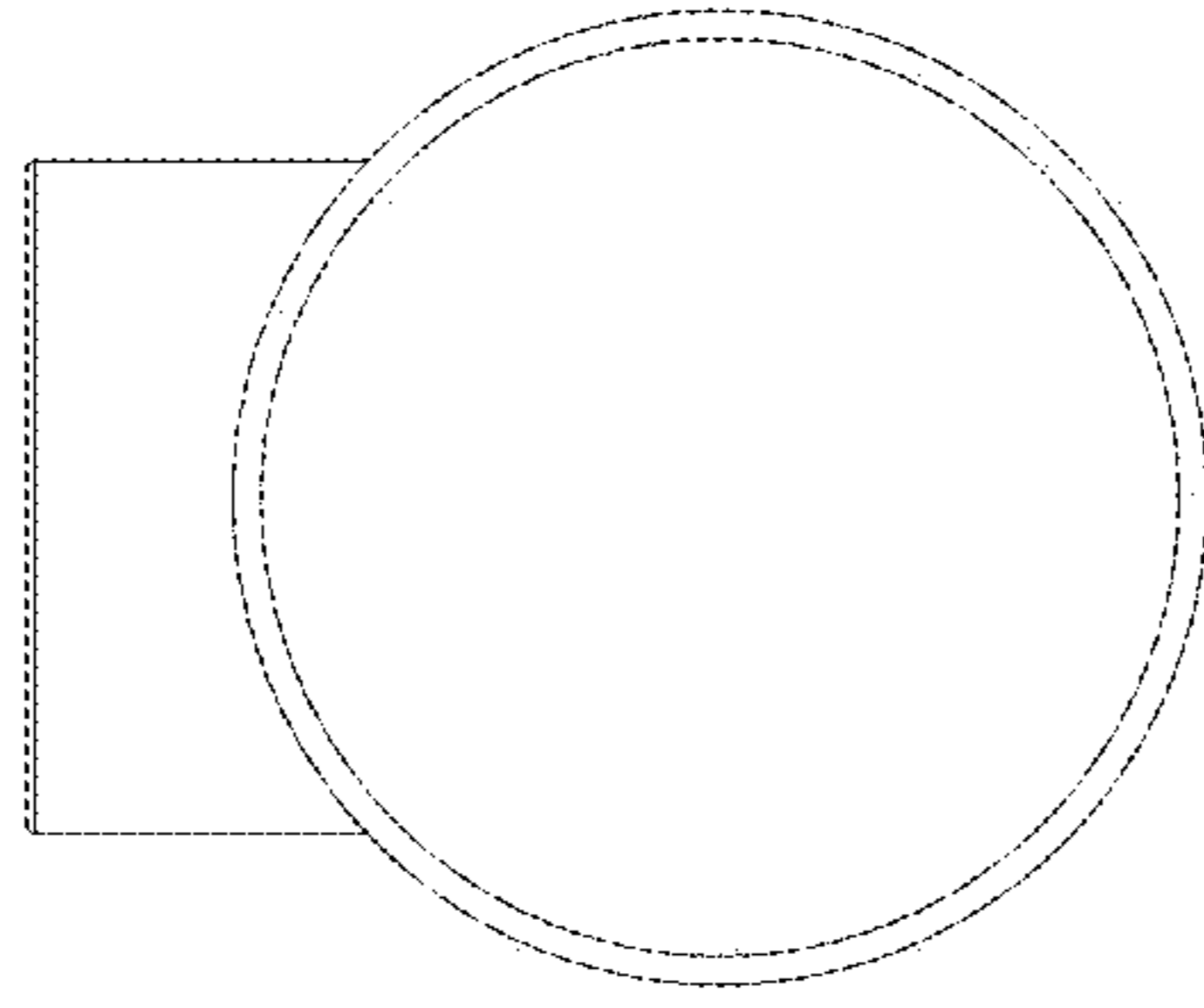


Fig. 8

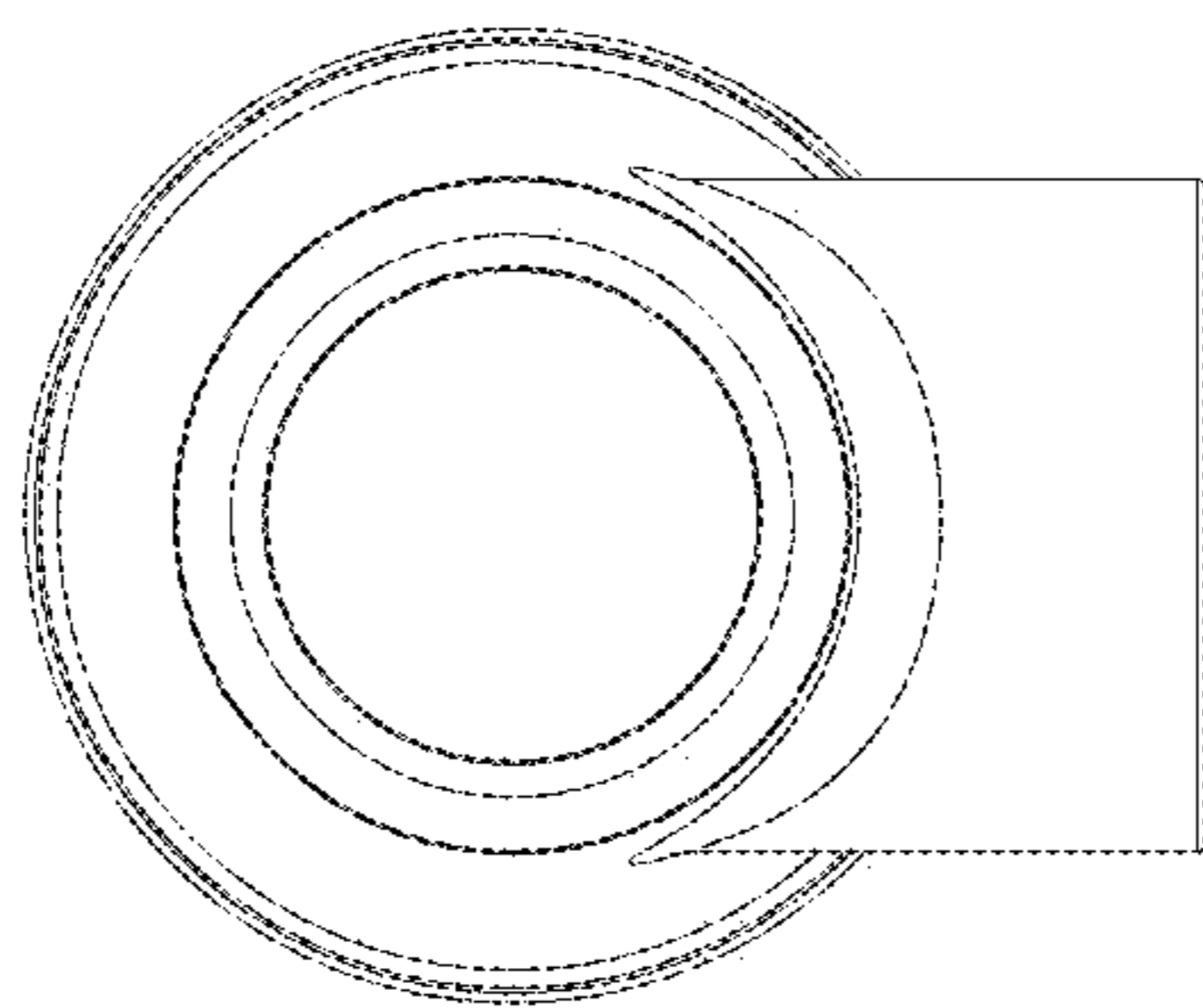


Fig. 7