



US00D985725S

(12) **United States Design Patent**
Para et al.

(10) **Patent No.:** **US D985,725 S**

(45) **Date of Patent:** **** May 9, 2023**

(54) **FAUCET**

(71) Applicant: **DELTA FAUCET COMPANY,**
Indianapolis, IN (US)

(72) Inventors: **Lauren Para,** Lisle, IL (US);
Alejandra Lazarini, Carmel, IN (US)

(73) Assignee: **DELTA FAUCET COMPANY,**
Indianapolis, IN (US)

(**) Term: **15 Years**

(21) Appl. No.: **29/777,623**

(22) Filed: **Apr. 7, 2021**

(51) **LOC (14) Cl.** **23-01**

(52) **U.S. Cl.**
USPC **D23/238**

(58) **Field of Classification Search**
USPC D23/238–243, 250, 252, 254–255, 257;
D8/307–308
See application file for complete search history.

(56) **References Cited**

U.S. PATENT DOCUMENTS

D574,469 S * 8/2008 Soriano D23/255
D828,508 S * 9/2018 Fritz D23/238

D953,492 S * 5/2022 Kuang D23/238
D954,906 S * 6/2022 Para D23/238
D962,391 S * 8/2022 Stoler D23/238
D970,692 S * 11/2022 Kuang D23/238
D970,695 S * 11/2022 Lin D23/238

* cited by examiner

Primary Examiner — Robert A Delehanty

(74) *Attorney, Agent, or Firm* — Jeffrey L. Doyle

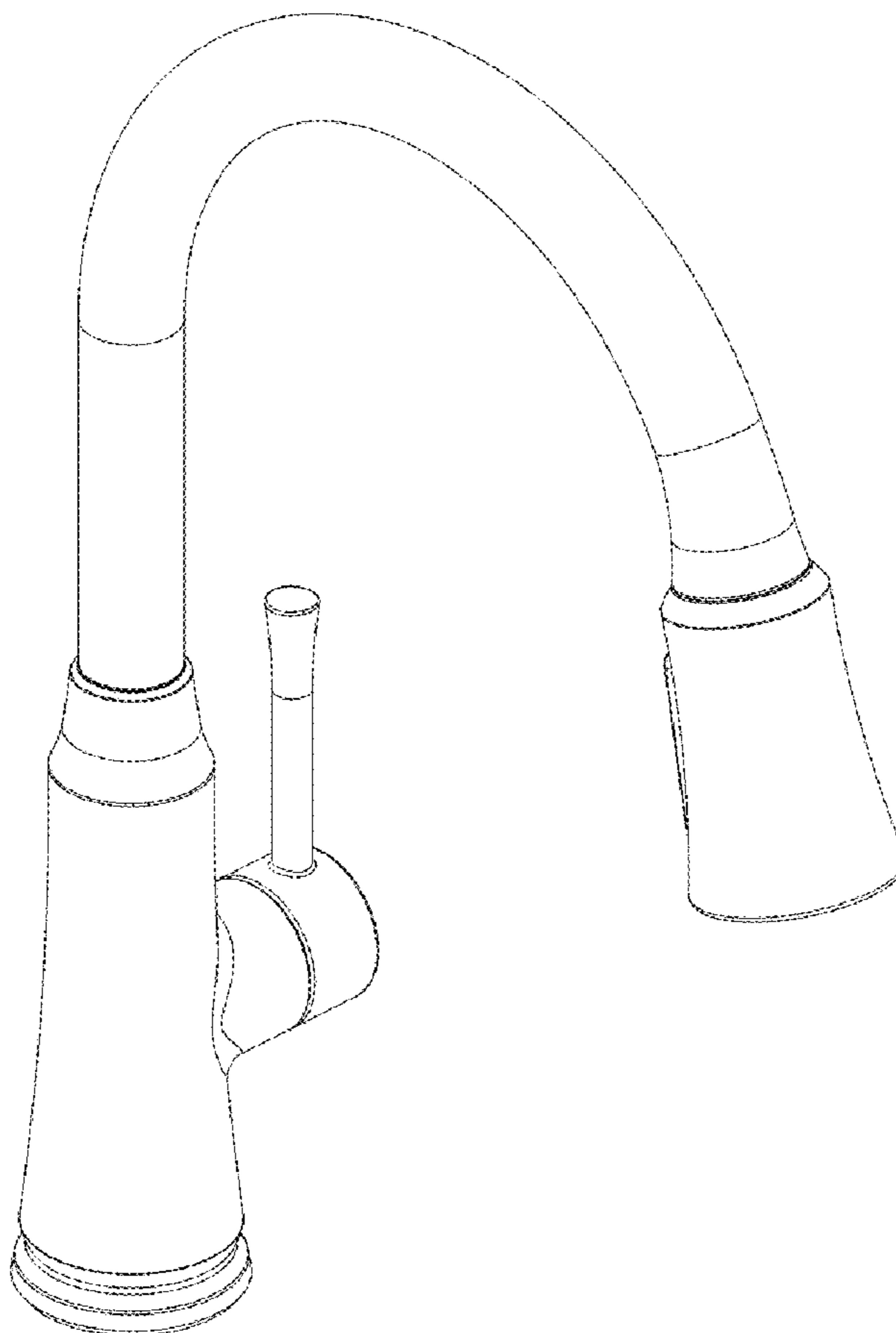
(57) **CLAIM**

The ornamental design for a faucet, as shown and described.

DESCRIPTION

FIG. 1 is a front perspective view of a faucet showing our new design;
FIG. 2 is a rear perspective view thereof;
FIG. 3 is a front elevational view thereof;
FIG. 4 is a left side view thereof;
FIG. 5 is a rear view thereof;
FIG. 6 is a right side view thereof;
FIG. 7 is a top plan view thereof; and,
FIG. 8 is a bottom view thereof.

1 Claim, 4 Drawing Sheets



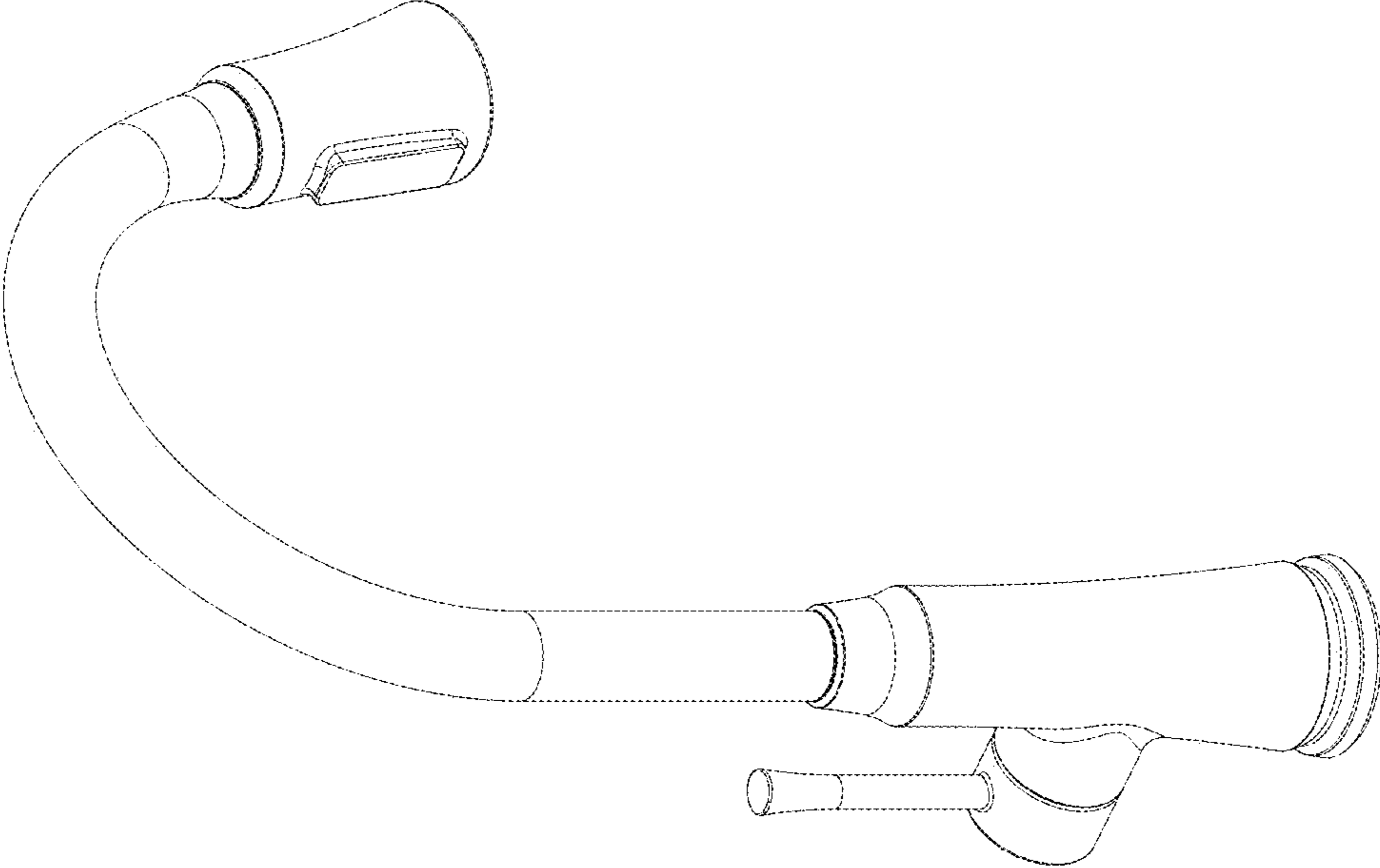


Fig. 2

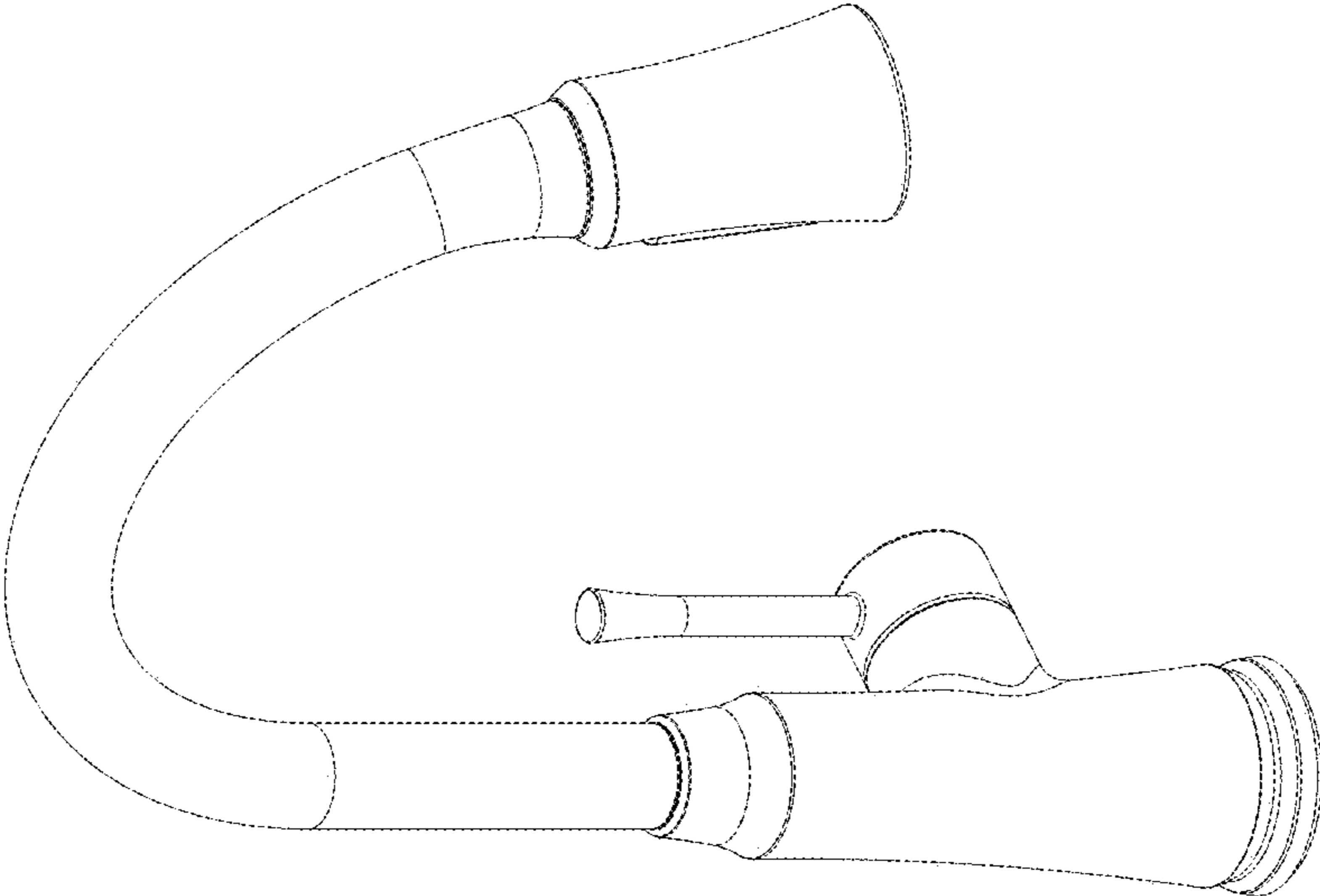


Fig. 1

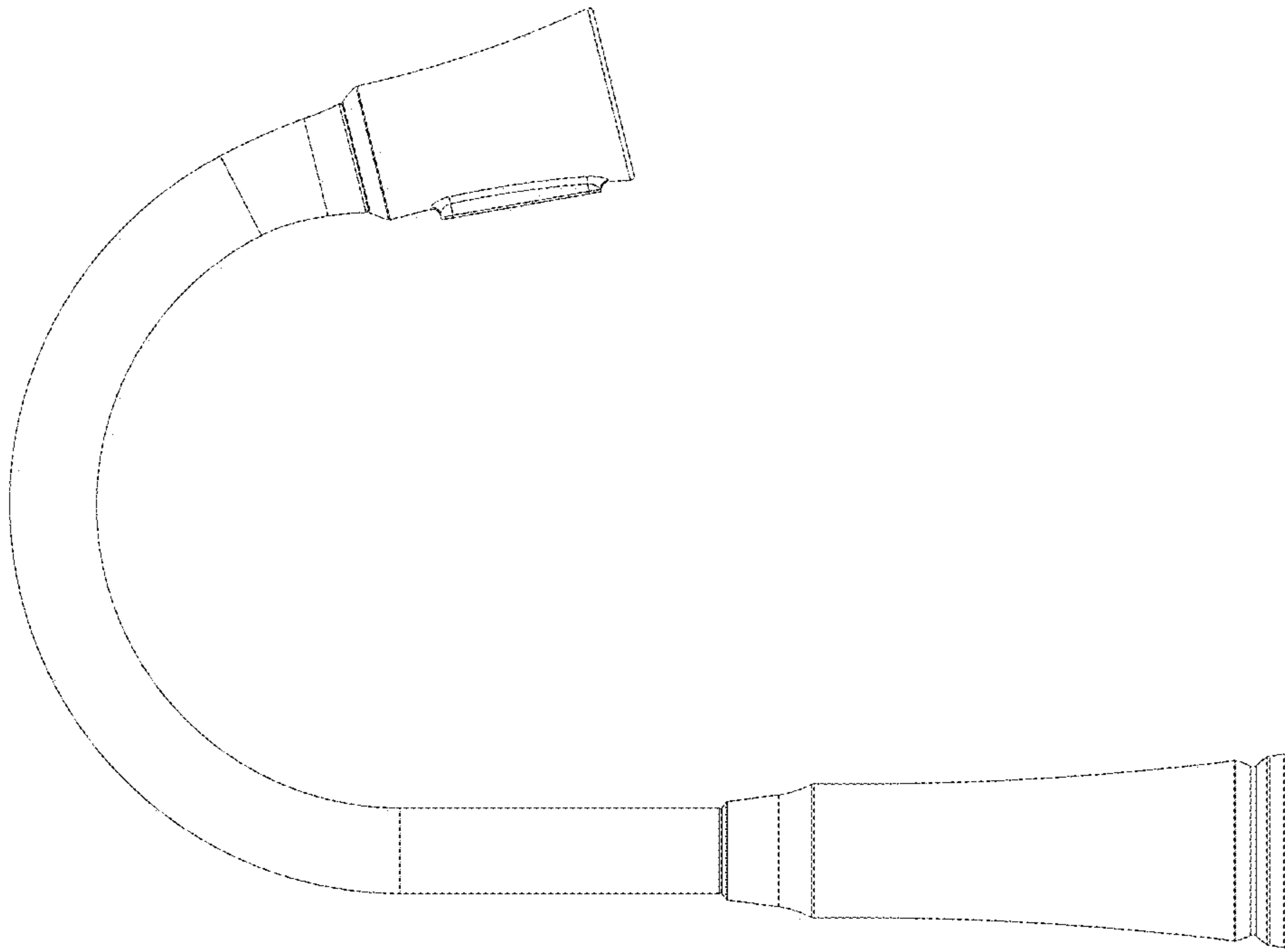


Fig. 4

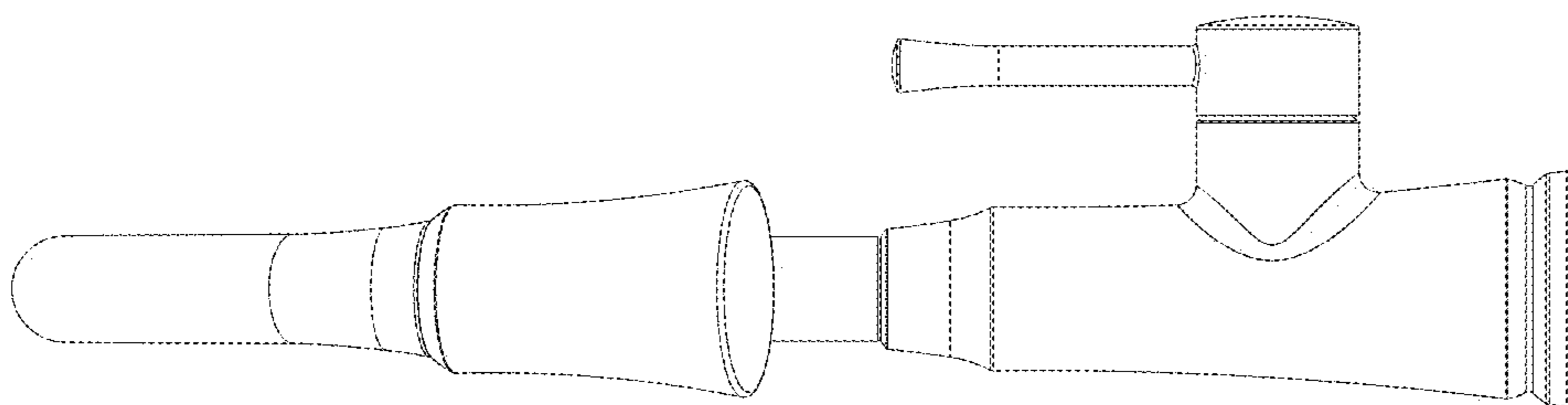


Fig. 3

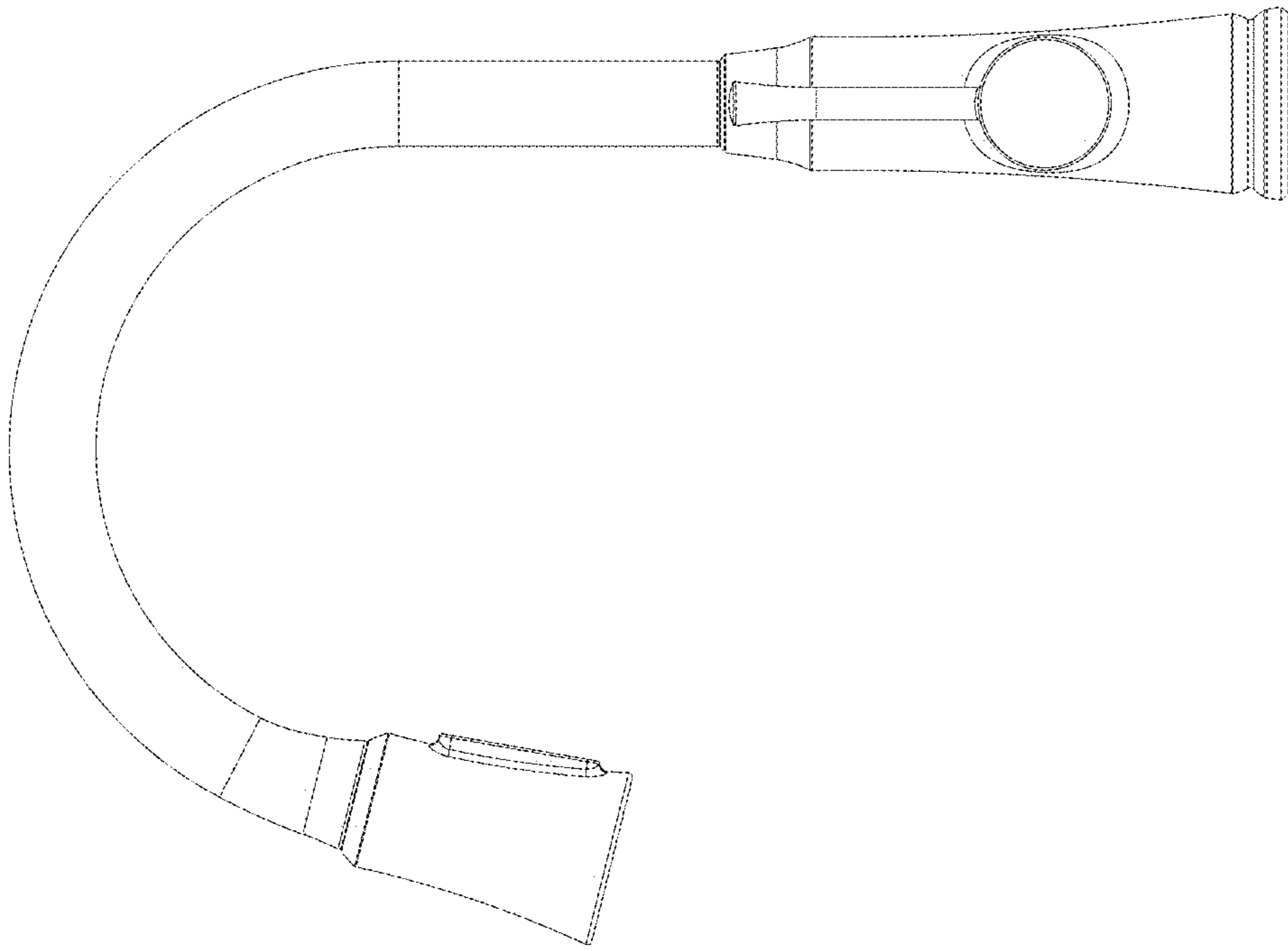


Fig. 6

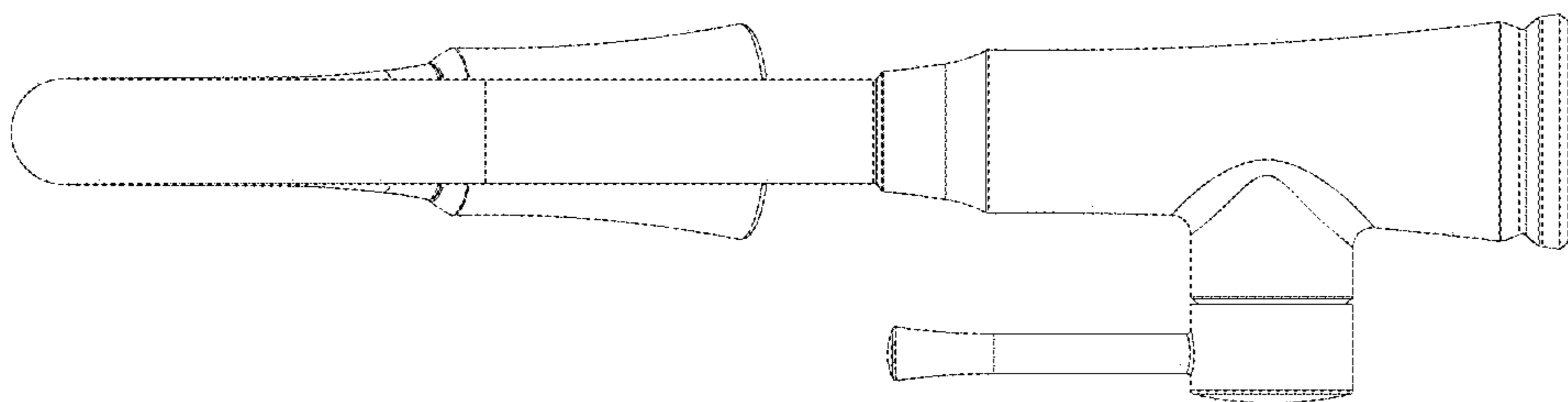


Fig. 5

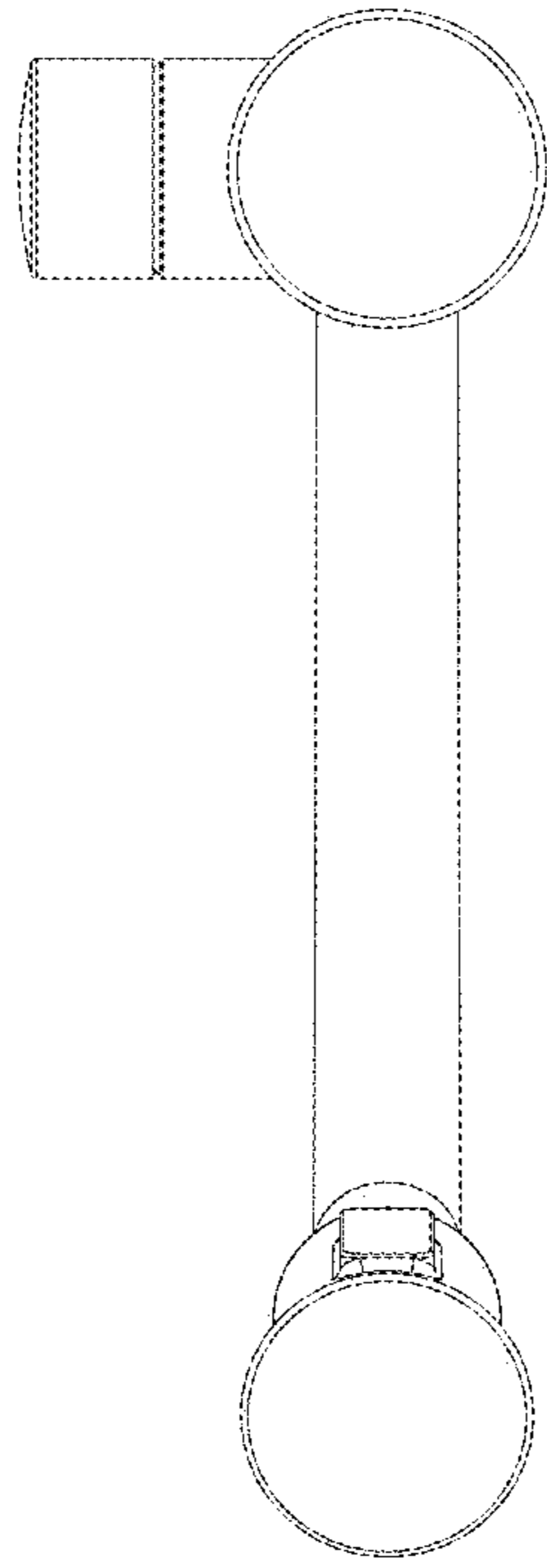


Fig. 8

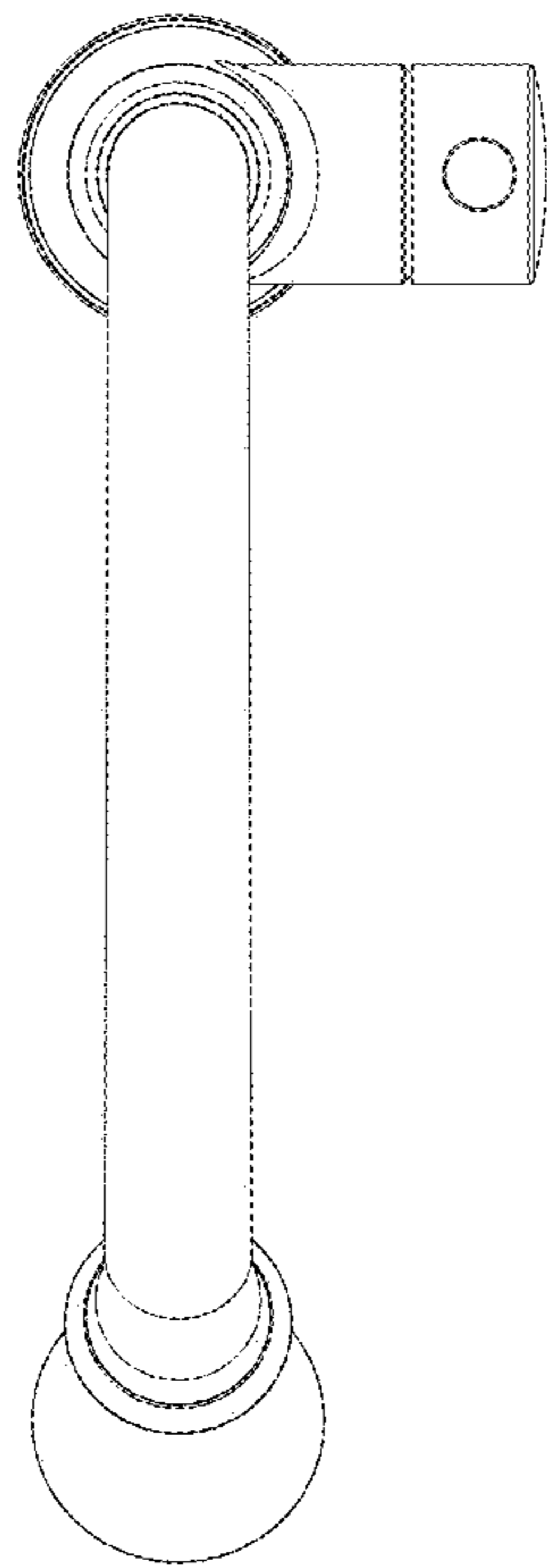


Fig. 7