



US00D985723S

(12) **United States Design Patent** (10) **Patent No.:** **US D985,723 S**
Barber et al. (45) **Date of Patent:** **** *May 9, 2023**

(54) **FAUCET**
(71) Applicant: **HANSGROHE SE**, Schiltach (DE)
(72) Inventors: **Edward Barber**, London (GB); **Jay Osgerby**, London (GB)
(73) Assignee: **Hansgrohe SE**, Schiltach (DE)

D576,256 S * 9/2008 Urquiola D23/240
D578,612 S * 10/2008 Burrows D23/238
D605,261 S * 12/2009 Allard D23/255
D612,457 S * 3/2010 Allard D23/255
D698,903 S * 2/2014 Gilbert D23/249
D741,453 S * 10/2015 Bahler D23/242
D844,110 S * 3/2019 Soulier D23/238
D846,083 S * 4/2019 Garland D23/255

(Continued)

(*) Notice: This patent is subject to a terminal disclaimer.

(**) Term: **15 Years**

(21) Appl. No.: **29/771,873**

(22) Filed: **Feb. 25, 2021**

(30) **Foreign Application Priority Data**

Aug. 26, 2020 (EM) 008148662-0001

(51) **LOC (14) Cl.** **23-01**

(52) **U.S. Cl.**
USPC **D23/238**

(58) **Field of Classification Search**
USPC D23/238, 239, 240, 241, 242, 243, 246,
D23/247, 249, 250, 251, 252, 253, 254,
D23/255, 256, 257

CPC E03C 1/01; E03C 1/0409; E03C 1/025;
E03C 1/0408; E03C 1/04; E03C 1/0401;
E03C 1/0402; E03C 1/0405; E03C
1/0412; Y10T 137/5339; Y10T 137/6014;
Y10T 137/6021

See application file for complete search history.

(56) **References Cited**

U.S. PATENT DOCUMENTS

D376,413 S * 12/1996 Kergoet D23/238
D559,360 S * 1/2008 Burrows D23/238
D568,443 S * 5/2008 Urquiola D23/240

FOREIGN PATENT DOCUMENTS

CN 302543741 8/2013
CN 303533709 12/2015

(Continued)

OTHER PUBLICATIONS

Amazon, Mimossa Kitchen Mixer Tap Pull Down sprayer, posted Apr. 17, 2022, [online], [visited Jun. 14, 2022]. Internet, <URL: <https://www.amazon.co.uk/MIMOSSA-Kitchen-Degree-Rotation-Brushed/dp/B09Y4NDL7D/ref>> (Year: 2022).*

(Continued)

Primary Examiner — Samantha Wood

(74) *Attorney, Agent, or Firm* — Lora J. Graentzdoerffer

(57) **CLAIM**

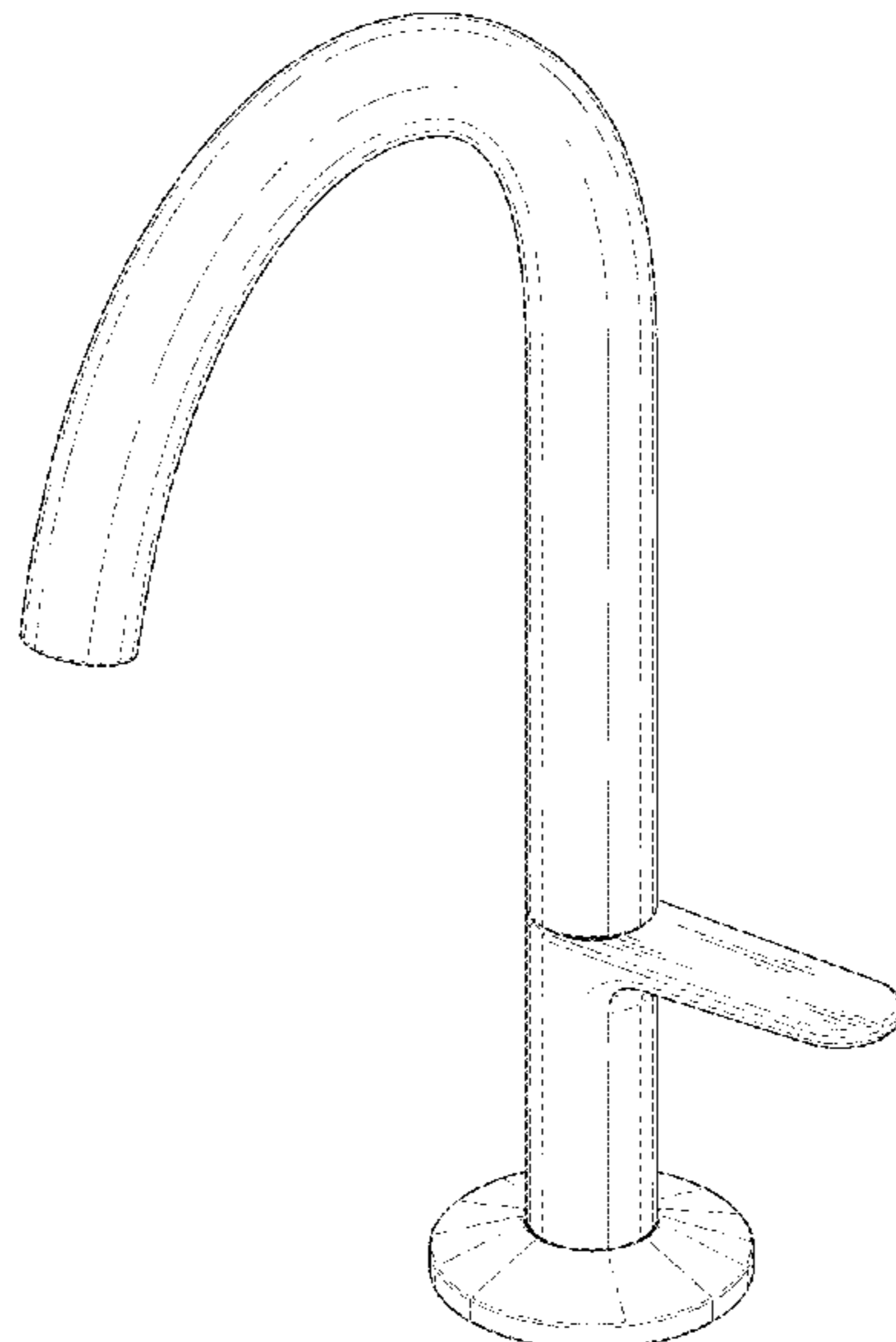
The ornamental design for a faucet, as shown and described.

DESCRIPTION

FIG. 1 is a perspective view of a faucet showing our design; FIG. 2 is a front elevational view; FIG. 3 is a rear elevational view; FIG. 4 is a side elevational view; FIG. 5 is a side elevational view; FIG. 6 is a top plan view; and, FIG. 7 is a bottom plan view.

The broken-line disclosures in the drawings represent portions of a faucet that form no part of the claimed design.

1 Claim, 7 Drawing Sheets



(56)

References Cited

U.S. PATENT DOCUMENTS

D860,396 S * 9/2019 Seum D23/238
D902,358 S * 11/2020 Garland D23/255
D913,431 S * 3/2021 Seum D23/238
D914,160 S * 3/2021 Seum D23/255
D931,984 S * 9/2021 Zhen D23/238
D933,169 S * 10/2021 Lazarini D23/255
2018/0313069 A1 * 11/2018 Cipriani E03C 1/0404
2019/0220045 A1 * 7/2019 Huang E03C 1/0412
2020/0024837 A1 * 1/2020 Wales G05D 23/1306

FOREIGN PATENT DOCUMENTS

CN 303649064 4/2016
CN 304801543 9/2018
CN 304801546 9/2018
EM 002172304-0003 4/2013

OTHER PUBLICATIONS

Amazon, Tohlar Kitchen Sink Mixer Tap, posted May 2, 2021, [online], [visited Jun. 14, 2022]. Internet, <URL: <https://www.amazon.co.uk/Tohlar-Kitchen-Sprayer-Stainless-Brushed/dp/B08XYM37QY/ref>> (Year: 2021).*

* cited by examiner

FIG. 1

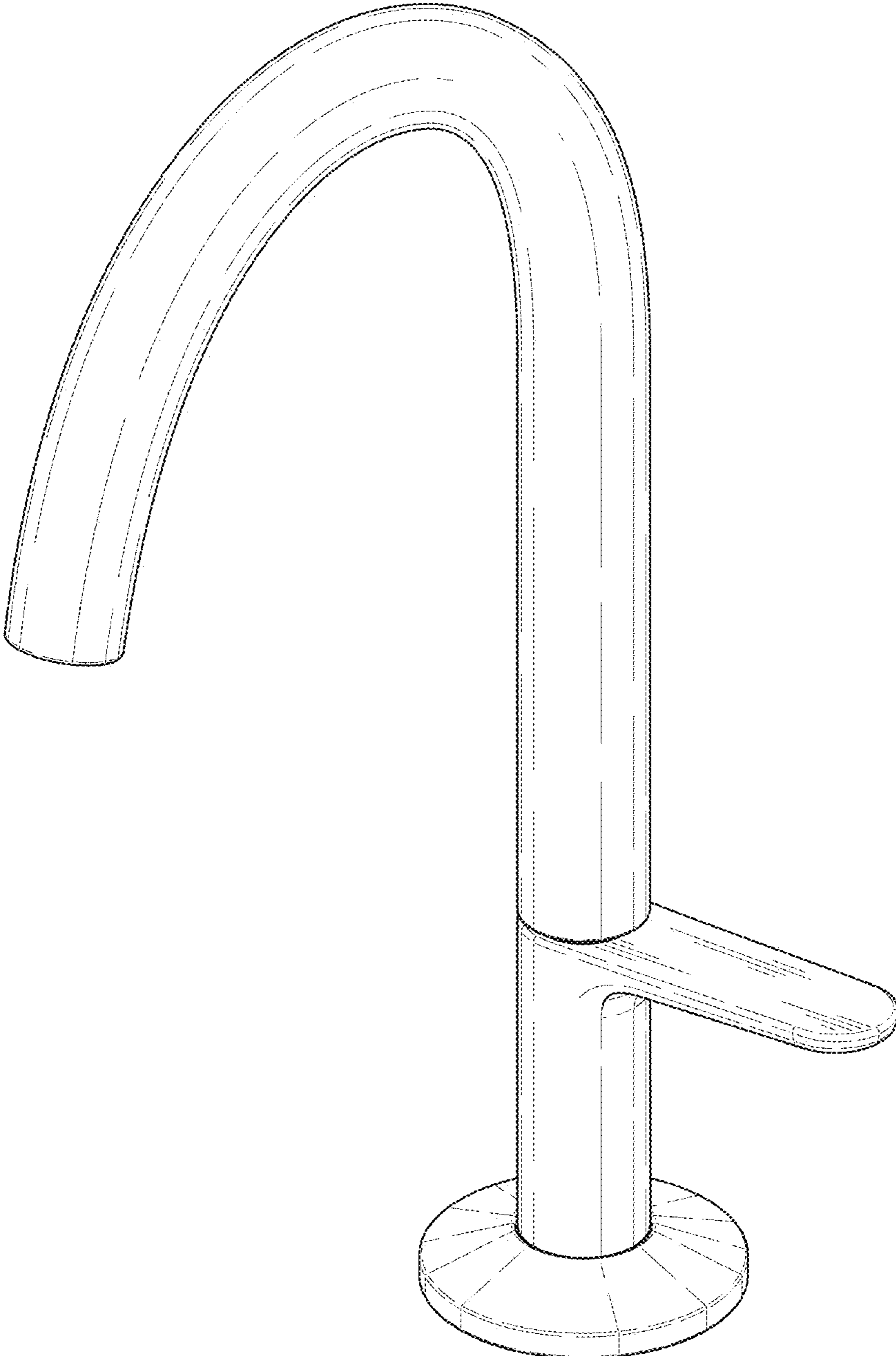


FIG. 2

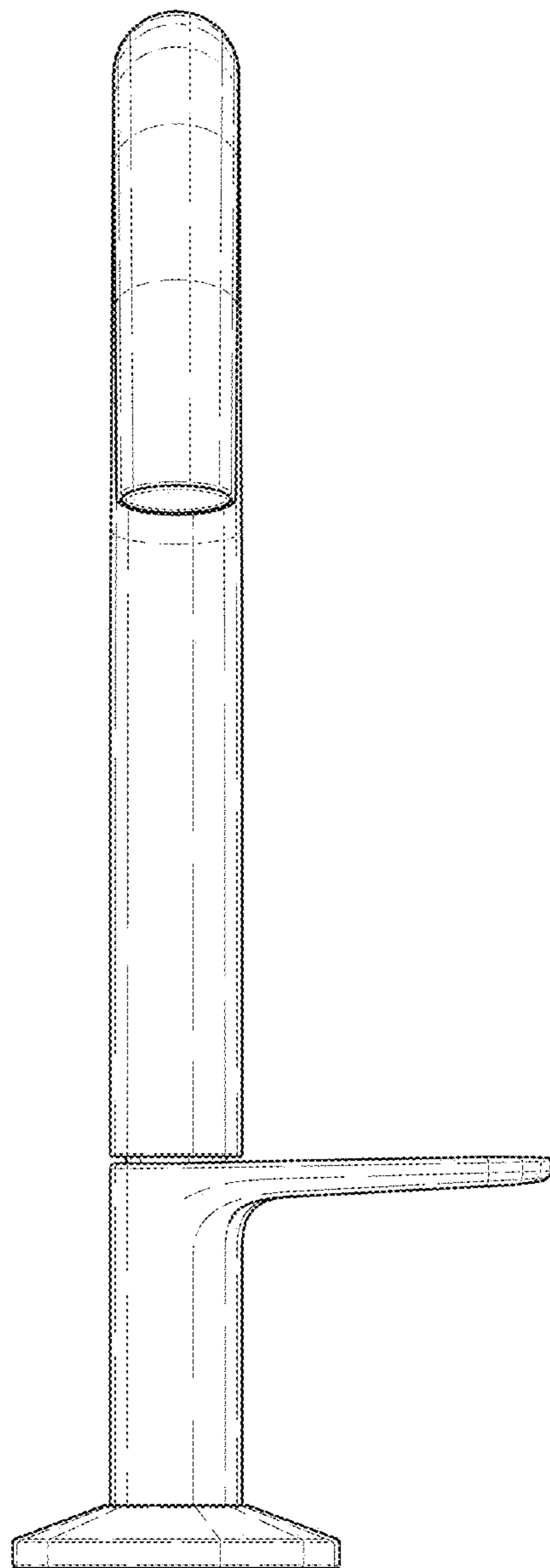


FIG. 3

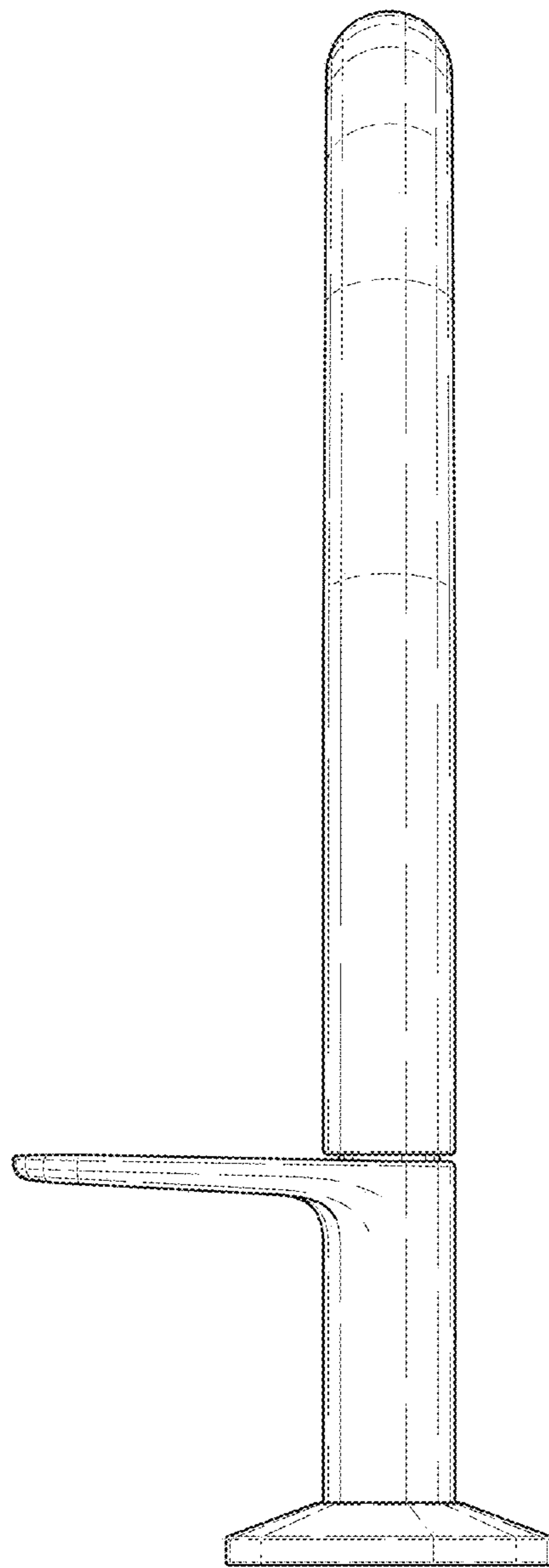


FIG. 4

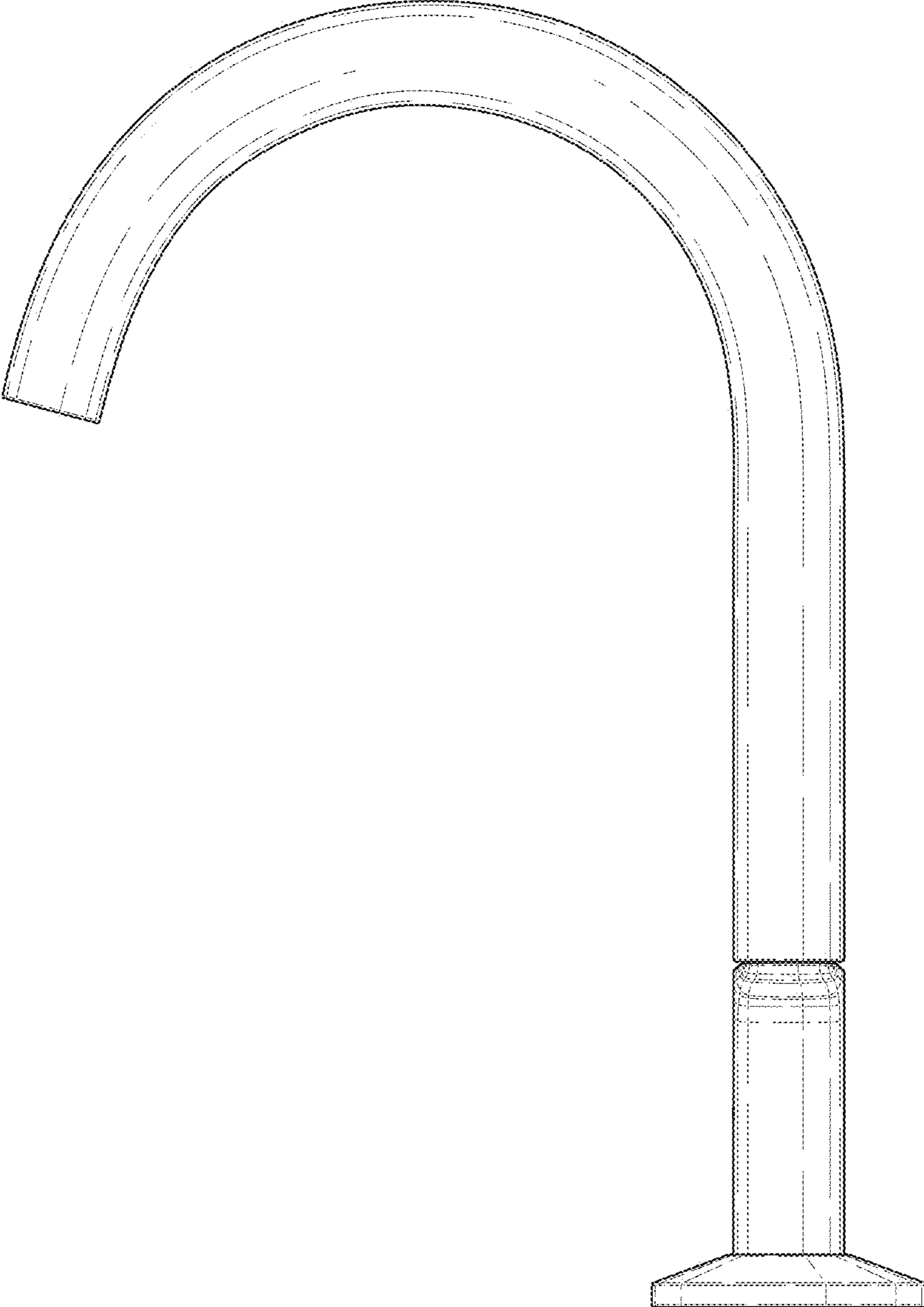


FIG. 5

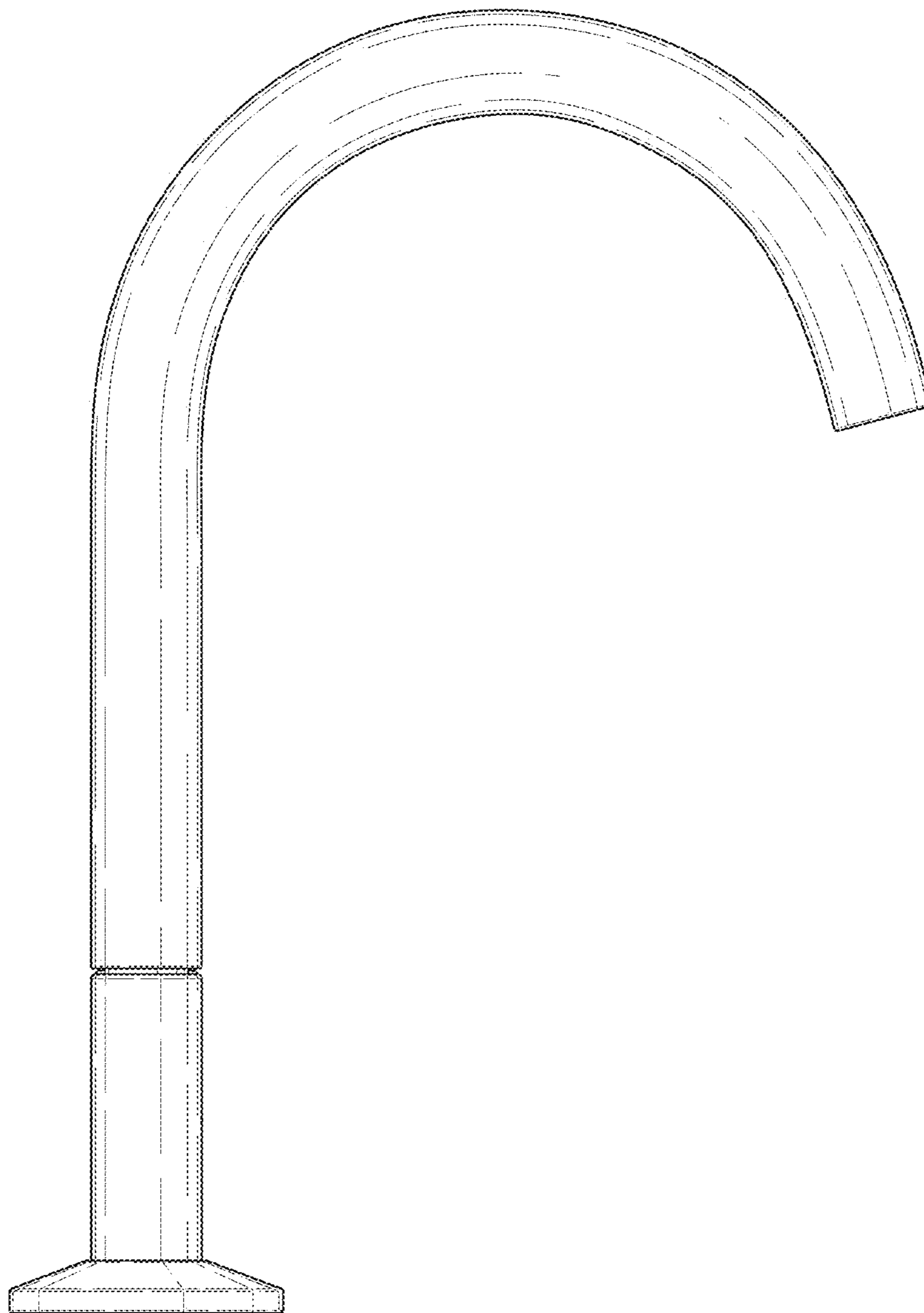


FIG. 6

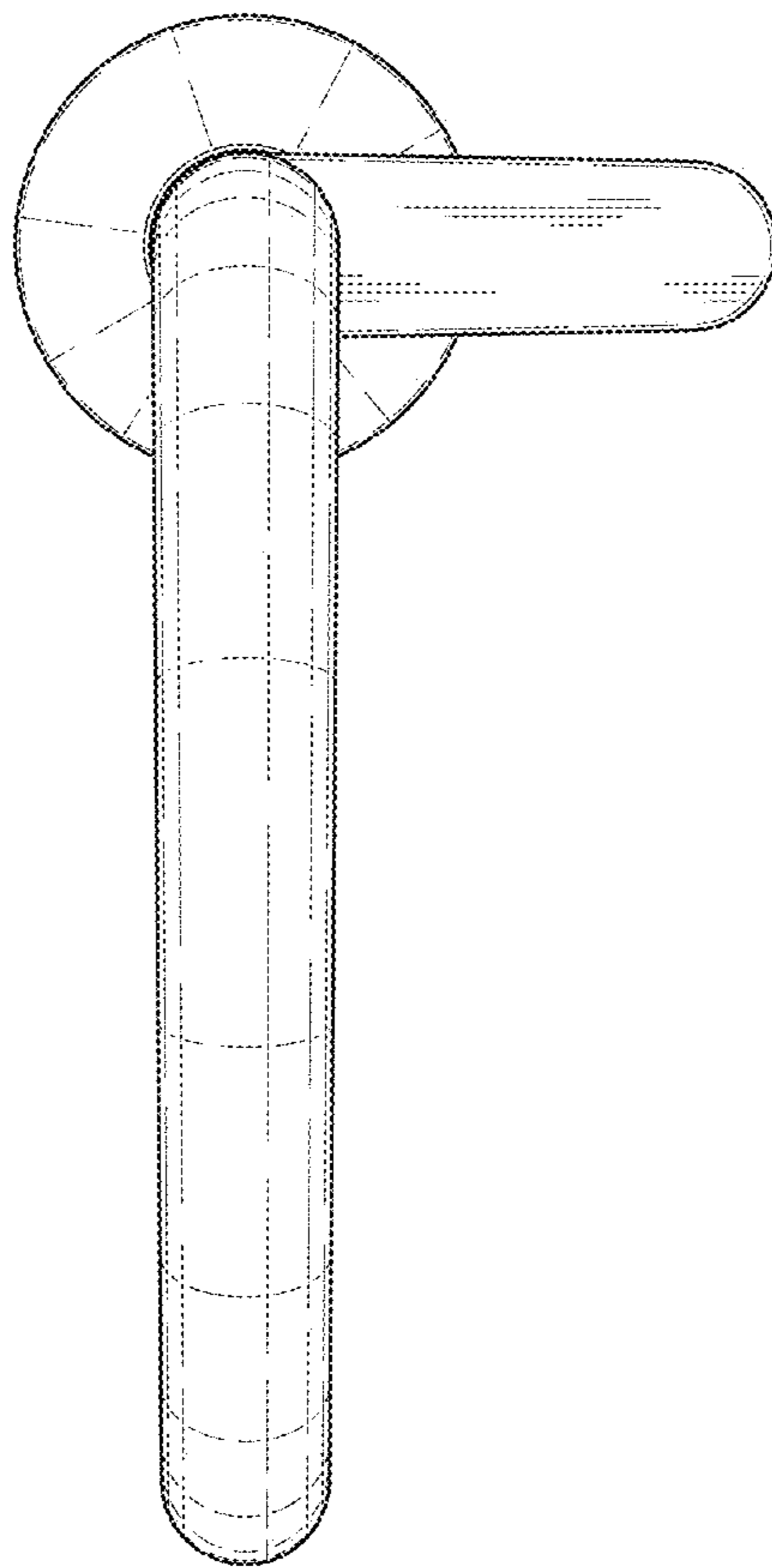


FIG. 7

