



US00D985722S

(12) **United States Design Patent** (10) **Patent No.:** **US D985,722 S**  
**He** (45) **Date of Patent:** **\*\* May 9, 2023**

(54) **FAUCET**  
(71) Applicant: **Bingru He**, Zhejiang (CN)  
(72) Inventor: **Bingru He**, Zhejiang (CN)  
(\*\*) Term: **15 Years**  
(21) Appl. No.: **29/749,917**  
(22) Filed: **Sep. 10, 2020**  
(51) **LOC (14) Cl.** ..... **23-01**  
(52) **U.S. Cl.**  
USPC ..... **D23/238**  
(58) **Field of Classification Search**  
USPC ..... D23/238, 239, 240, 241, 242, 243, 246,  
D23/247, 248, 249, 250, 251, 252, 253,  
D23/254, 255, 256, 257  
CPC . E03C 1/01; E03C 1/0409; E03C 1/04; E03C  
1/0401; E03C 1/025; E03C 1/0408; E03C  
1/0402; E03C 1/0405; E03C 1/0412;  
Y10T 137/5339; Y10T 137/6014; Y10T  
137/6021  
See application file for complete search history.

D746,412 S \* 12/2015 Hanna ..... D23/255  
D746,413 S \* 12/2015 Hanna ..... D23/255  
D756,486 S \* 5/2016 Schoenherr ..... D23/238  
(Continued)

FOREIGN PATENT DOCUMENTS

CN 201230117303 \* 4/2012  
CN 201730389182 \* 8/2017  
CN 201830015364 \* 1/2018  
CN 202030105682.9 \* 3/2020

OTHER PUBLICATIONS

Amazon, Appaso Single Handle Kitchen Faucet, posted Jun. 8, 2018, [online], [visited Feb. 18, 2022]. Internet, <URL: https://www.amazon.co.uk/APPASO-Stainless-Functions-Sprayhead-K123-BN/dp/B0748CG1LV/ref> (Year: 2018).\*  
(Continued)

Primary Examiner — Samantha Wood

(57) **CLAIM**

The ornamental design for a faucet, as shown and described.

**DESCRIPTION**

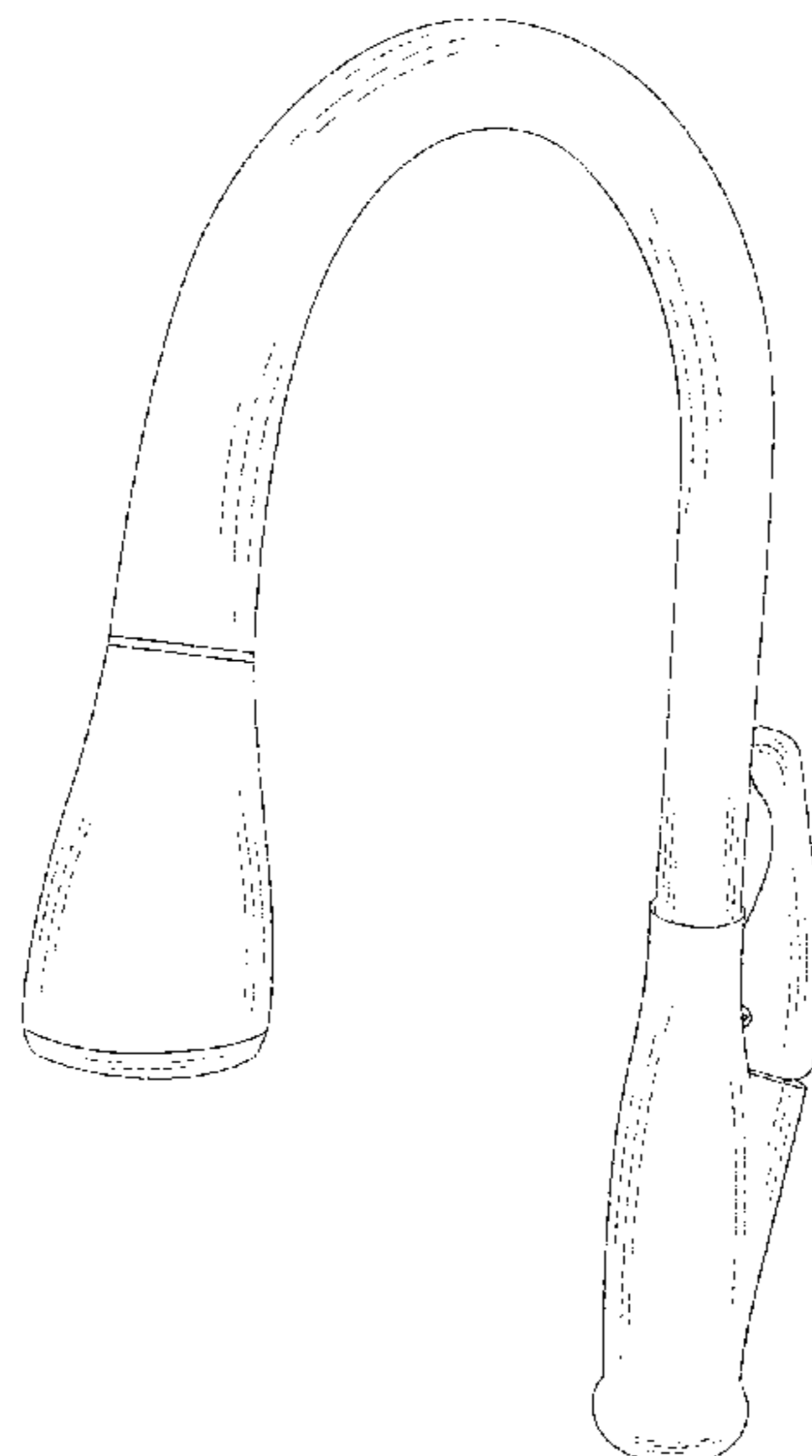
FIG. 1 is a perspective view of a faucet showing my new design;  
FIG. 2 is a front elevation view thereof;  
FIG. 3 is a rear elevation view thereof;  
FIG. 4 is a left side elevation view thereof;  
FIG. 5 is a right side elevation view thereof;  
FIG. 6 is a top plan view thereof;  
FIG. 7 is a bottom plan view thereof;  
FIG. 8 is an enlarged view of the faucet taken from the circle part in FIG. 2; and,  
FIG. 9 is an enlarged view of the faucet taken from the circle part in FIG. 7.  
The broken lines depict portions of the faucet that form no part of the claimed design.

**1 Claim, 9 Drawing Sheets**

(56) **References Cited**

U.S. PATENT DOCUMENTS

D445,169 S \* 7/2001 Czerwinski, Jr. .... D23/252  
D505,483 S \* 5/2005 Bayer ..... D23/252  
D511,200 S \* 11/2005 Kulig ..... D23/238  
D581,031 S \* 11/2008 Sedwick ..... D23/255  
D645,937 S \* 9/2011 Sedwick ..... D23/238  
D665,877 S \* 8/2012 Fritz ..... D23/238  
D667,933 S \* 9/2012 Kwok ..... D23/238  
D670,361 S \* 11/2012 Georgeson ..... D23/255  
D676,117 S \* 2/2013 Georgeson ..... D23/255  
D677,760 S \* 3/2013 Romero ..... D23/255  
D691,708 S \* 10/2013 Georgeson ..... D23/255  
D693,905 S \* 11/2013 Ke ..... D23/238  
D705,399 S \* 5/2014 Flowers ..... D23/238  
D706,398 S \* 6/2014 Flowers ..... D23/238  
D723,661 S \* 3/2015 Zhang ..... D23/238



(56)

**References Cited**

## U.S. PATENT DOCUMENTS

D767,097 S \* 9/2016 Kulig ..... D23/238  
D787,019 S \* 5/2017 Ziemann ..... D23/238  
D847,304 S \* 4/2019 Wu ..... D23/238  
D847,950 S \* 5/2019 Zhang ..... D23/238  
D852,325 S \* 6/2019 Eads ..... D23/238  
D874,613 S \* 2/2020 Park ..... D23/238  
D881,346 S \* 4/2020 Tentler ..... D23/250  
D912,776 S \* 3/2021 Huang ..... D23/238  
D921,159 S \* 6/2021 Yang ..... D23/238  
D921,160 S \* 6/2021 Liu ..... D23/238  
D926,936 S \* 8/2021 Williams ..... D23/238  
D936,793 S \* 11/2021 Stoler ..... D23/238  
2018/0080203 A1 \* 3/2018 Frye ..... E03C 1/04

## OTHER PUBLICATIONS

Amazon, Appaso Touchless Matt Black Kitchen Faucet, posted Dec. 21, 2019, [online], [visited Feb. 18, 2022]. Internet, <URL: <https://www.amazon.co.uk/APPASO-Touchless-Kitchen-Activated-Hands-free/dp/B082ZDDB6Z/ref?th=1>> (Year: 2019).\*

Amazon, Pupper Kitchen Faucet, posted Aug. 4, 2021, [online], [visited Feb. 18, 2022]. Internet, <URL: <https://www.amazon.co.uk/Kitchen-Extendable-Rotating-Standard-Fittings/dp/B09BZG6BH2/ref>> (Year: 2021).\*

Amazon, Newhalo Pull Out Kitchen Mixer Tap, posted Dec. 9, 2020, [online], [visited Feb. 18, 2022]. Internet, <URL: <https://www.amazon.co.uk/Newhalo-Kitchen-Outlet-Stainless-Sprayer/dp/B08Q2TYGS8/ref>> (Year: 2020).\*

\* cited by examiner

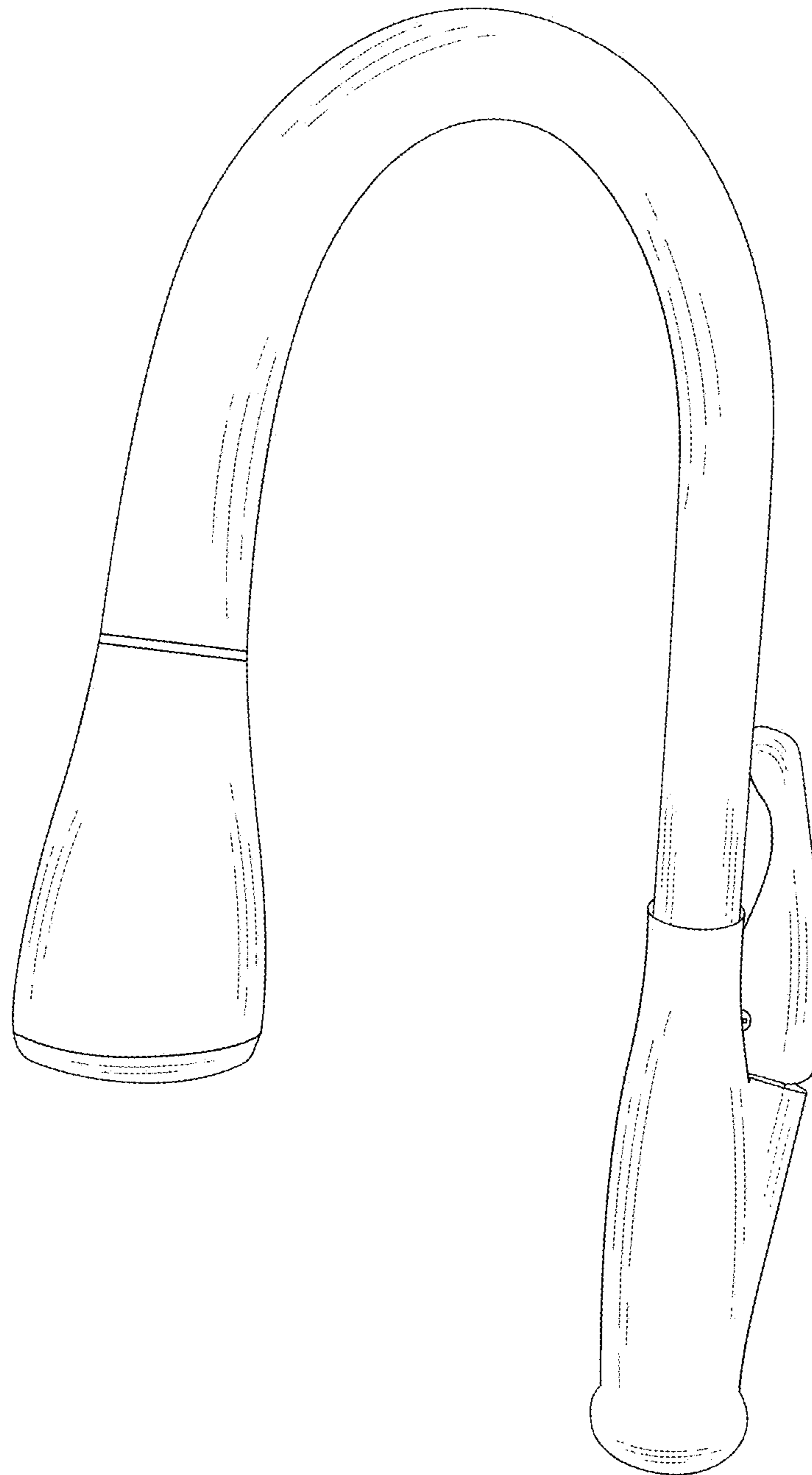


FIG. 1

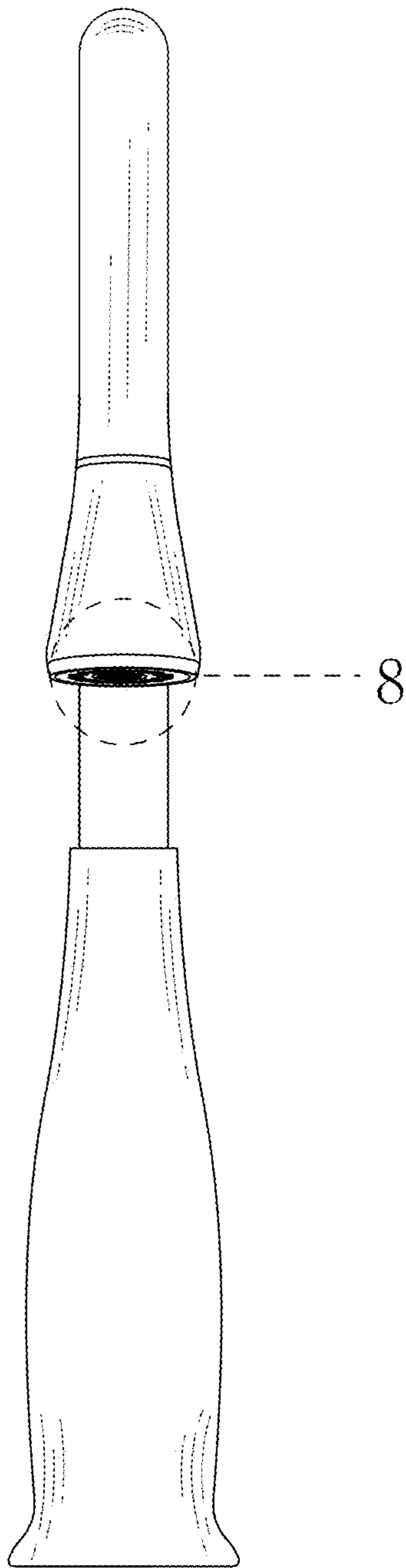


FIG. 2

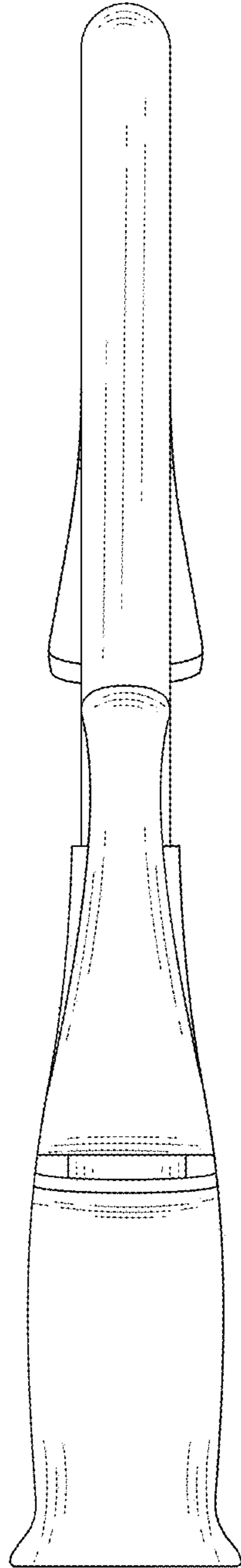


FIG. 3

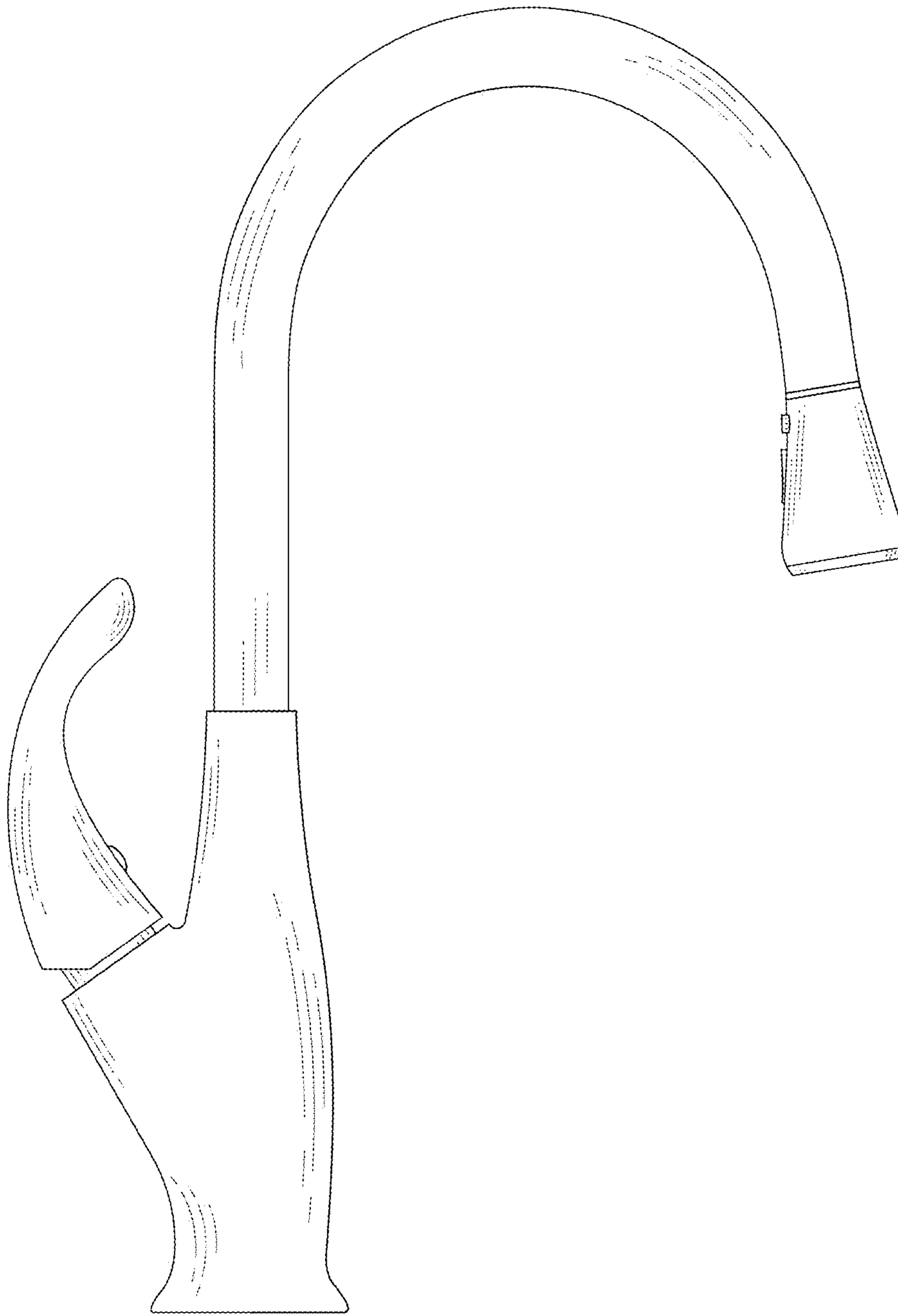


FIG. 4

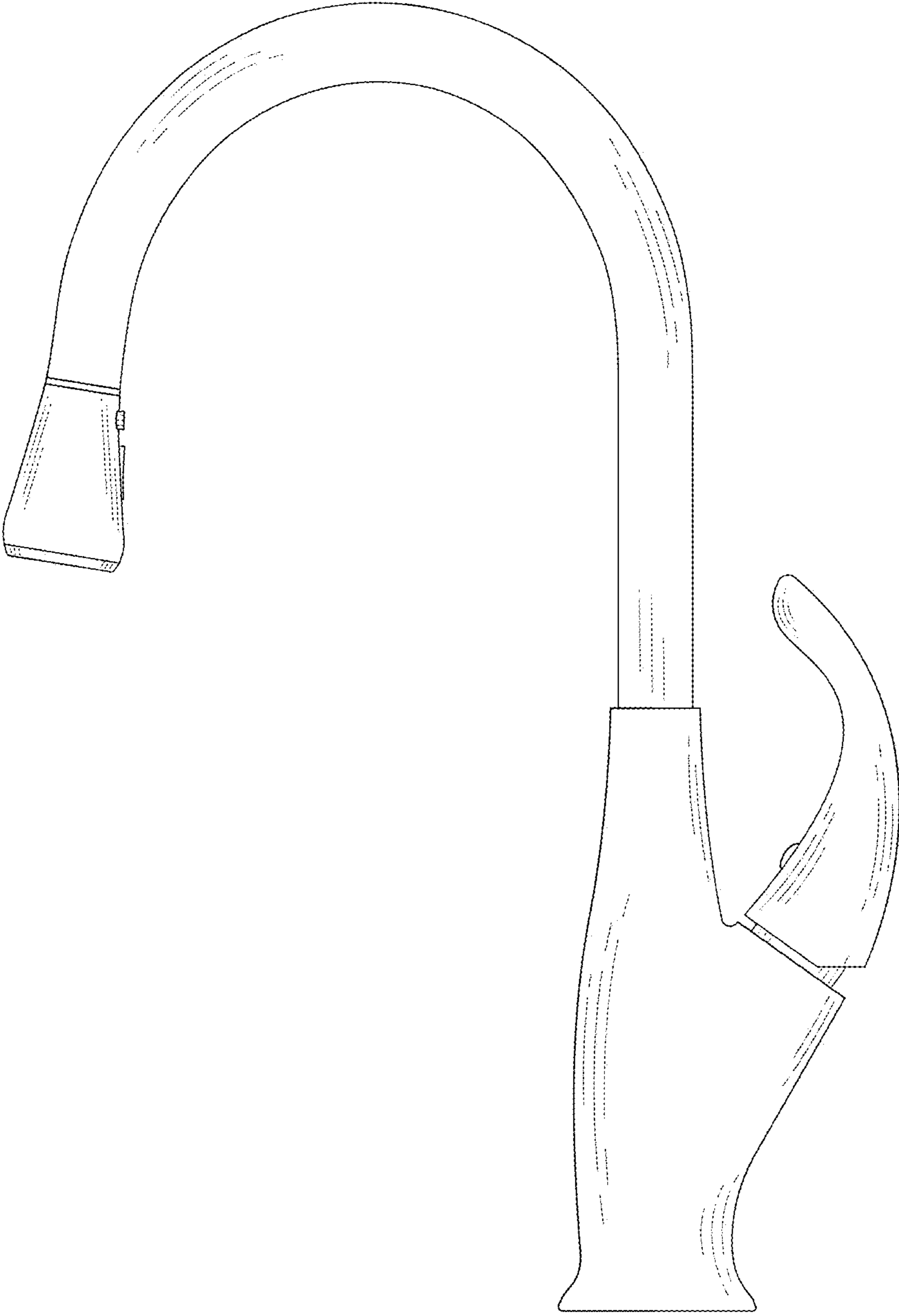


FIG. 5

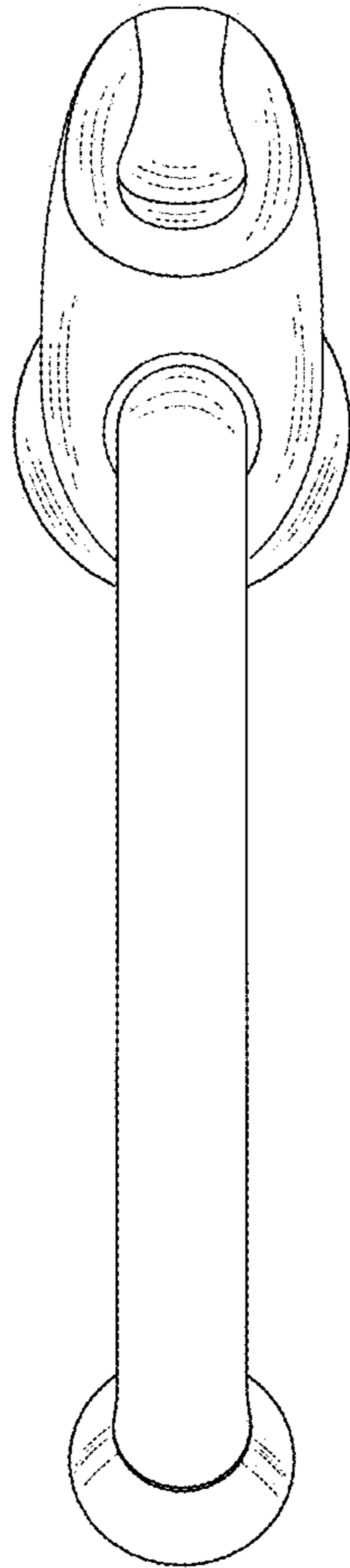


FIG. 6



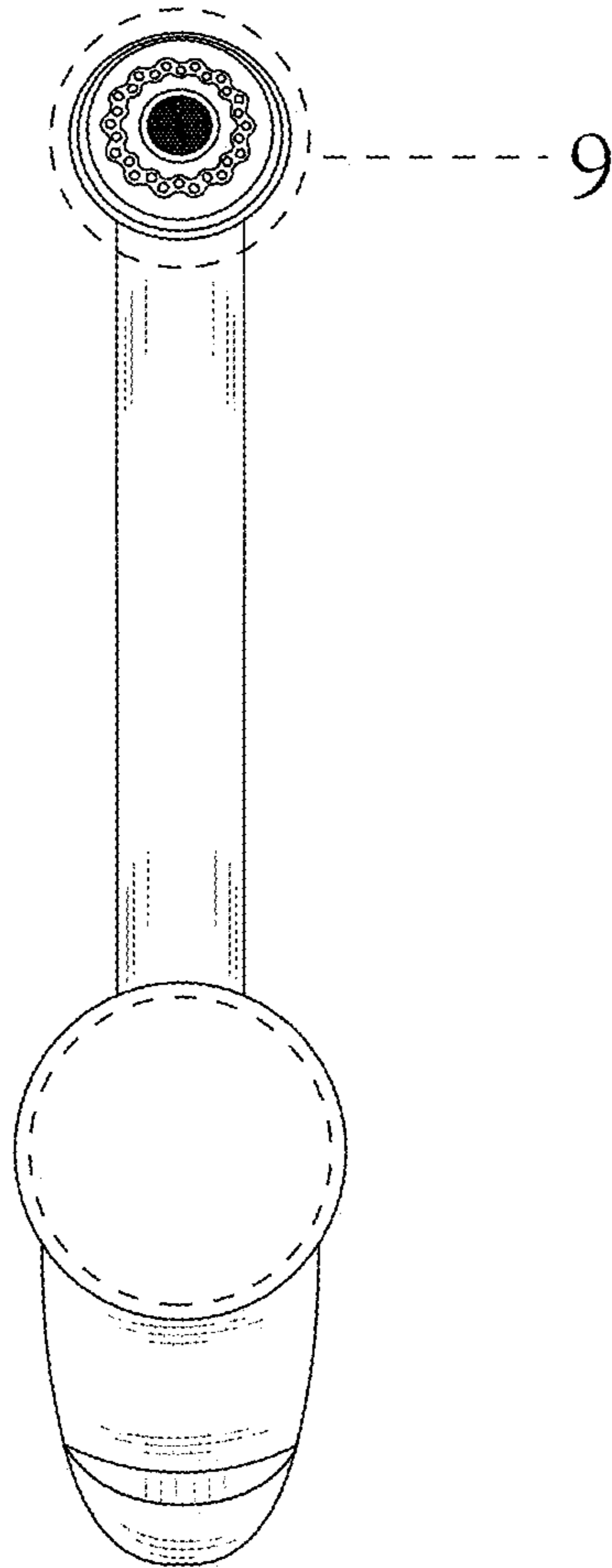


FIG. 7

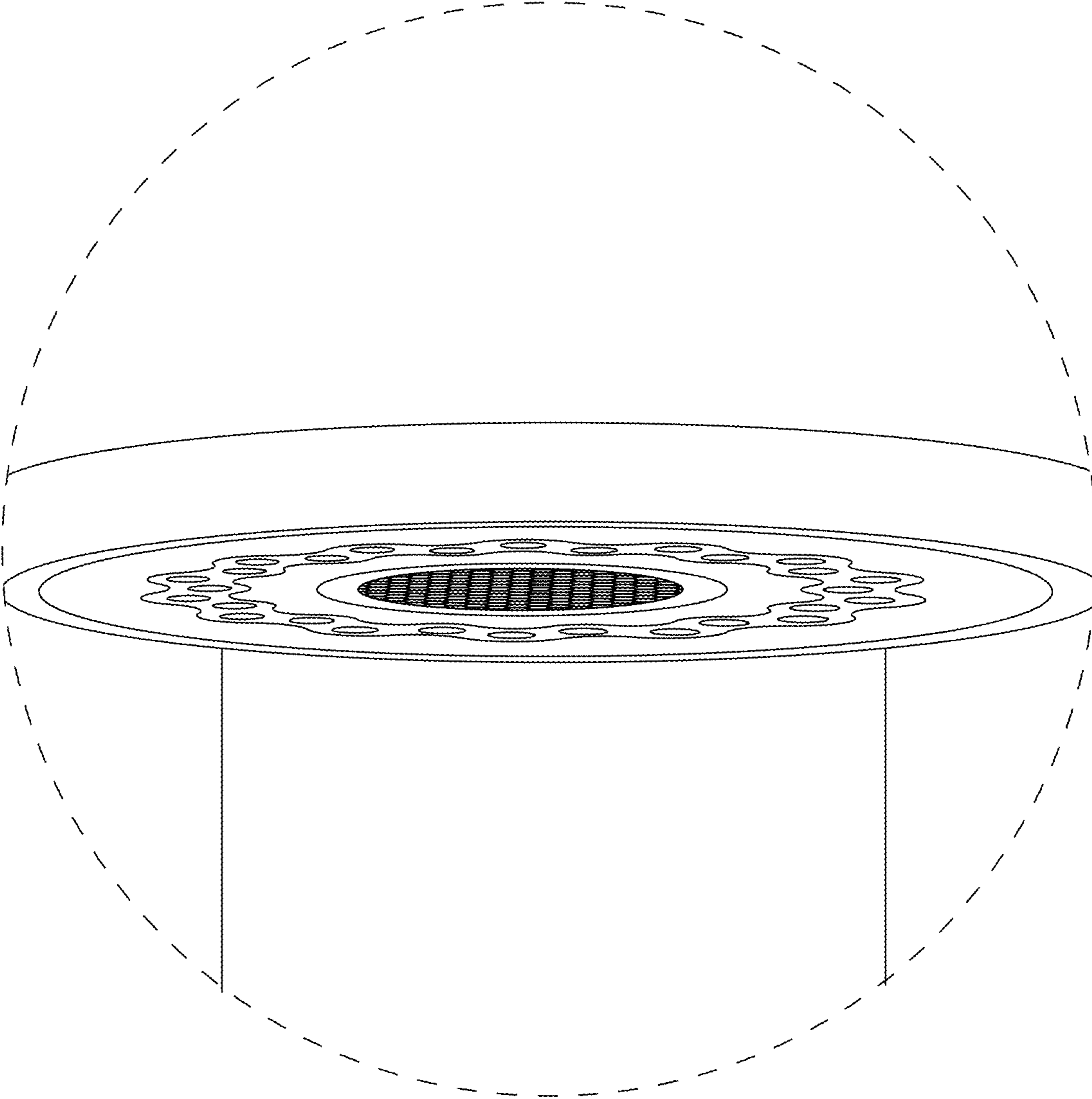


FIG. 8

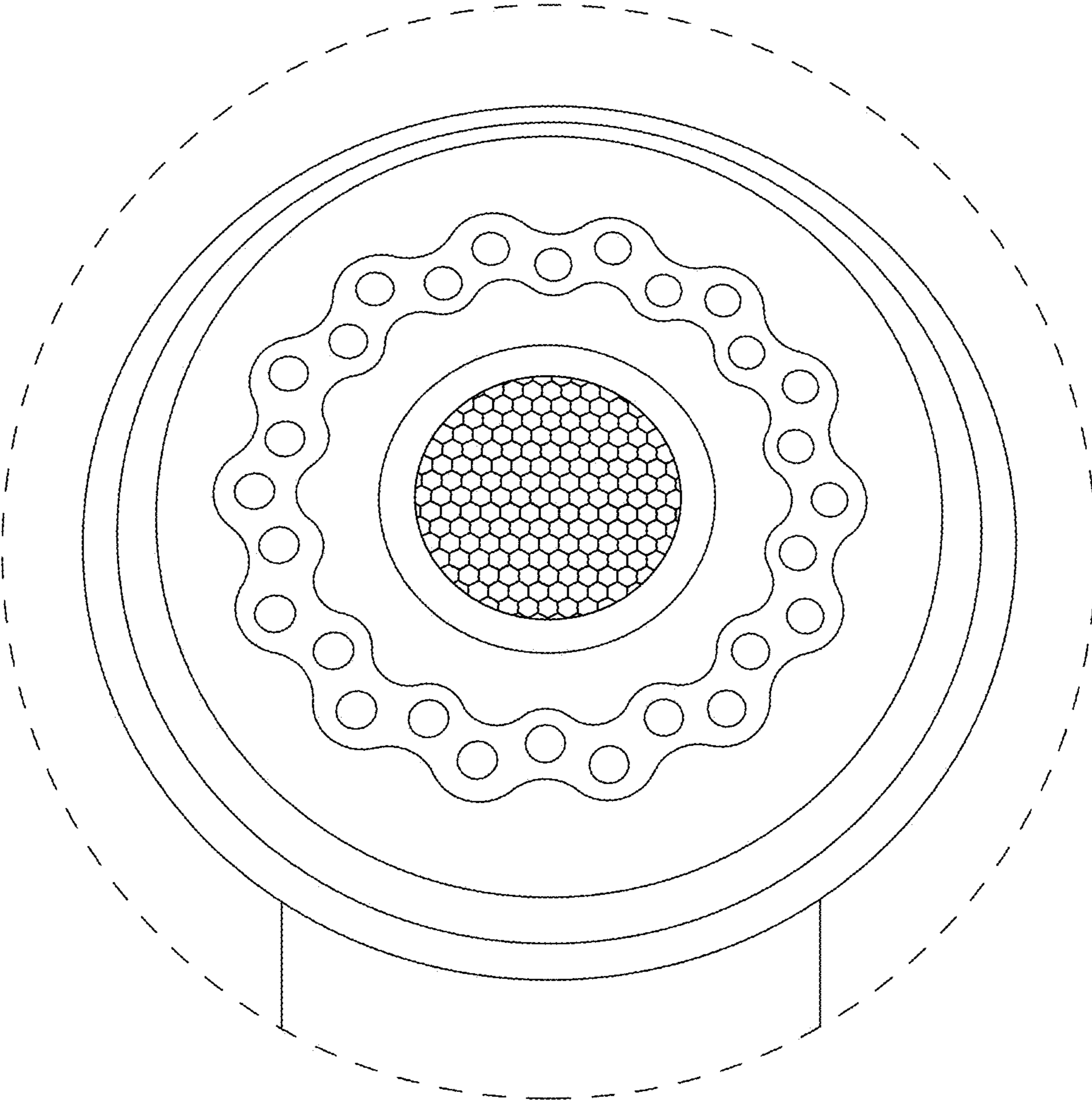


FIG. 9