



US00D985721S

(12) **United States Design Patent**
Ritter

(10) **Patent No.:** **US D985,721 S**

(45) **Date of Patent:** **** May 9, 2023**

(54) **SPRAY GUN FOR PAINT**

(71) Applicant: **J. WAGNER GmbH**, Markdorf (DE)

(72) Inventor: **Tino Ritter**, Bermatingen (DE)

(73) Assignee: **J. WAGNER GmbH**, Markdorf (DE)

(**) Term: **15 Years**

(21) Appl. No.: **29/765,008**

(22) Filed: **Jan. 5, 2021**

(30) **Foreign Application Priority Data**

Jul. 9, 2020 (DE) 40 2020 100 646.7

(51) **LOC (14) Cl.** **23-01**

(52) **U.S. Cl.**
USPC **D23/225**

(58) **Field of Classification Search**

USPC D23/213, 223, 225, 226
CPC B05B 1/16; B05B 1/1618; B05B 7/0018;
B05B 7/02; B05B 7/24; B05B 7/2408;
B05B 7/2478; B05B 9/01; B05B 9/0894;
B05B 12/002

See application file for complete search history.

(56) **References Cited**

U.S. PATENT DOCUMENTS

D519,603 S * 4/2006 Schumann D23/225
7,360,720 B2 * 4/2008 Gohring B05B 7/2416
239/315

(Continued)

OTHER PUBLICATIONS

Wagner Spraytech 520008 Control Painter, Jan. 6, 2018, Amazon, site visited Mar. 28, 2022: <https://www.amazon.com/dp/B079Q7T6WP/> (Year: 2018).*

(Continued)

Primary Examiner — Jack Reickel

Assistant Examiner — Bobby W Jones, II

(74) *Attorney, Agent, or Firm* — Christopher J. Volkmann; Kelly, Holt & Christenson, PLLC

(57) **CLAIM**

The ornamental design for a spray gun for paint, as shown and described.

DESCRIPTION

FIG. 1 is a perspective view of a spray gun for paint showing unclaimed environment.

FIG. 2 is a left side view of the spray gun for paint showing the unclaimed environment.

FIG. 3 is a right side view of the spray gun for paint showing the unclaimed environment.

FIG. 4 is a front view of the spray gun for paint showing the unclaimed environment.

FIG. 5 is a rear view of the spray gun for paint showing the unclaimed environment.

FIG. 6 is a top view of the spray gun for paint showing the unclaimed environment.

FIG. 7 is a bottom view of the spray gun for paint showing the unclaimed environment.

FIG. 8 is a perspective view of the spray gun for paint without the unclaimed environment.

FIG. 9 is a left side view of the spray gun for paint without the unclaimed environment.

FIG. 10 is a right side view of the spray gun for paint without the unclaimed environment.

FIG. 11 is a front view of the spray gun for paint without the unclaimed environment.

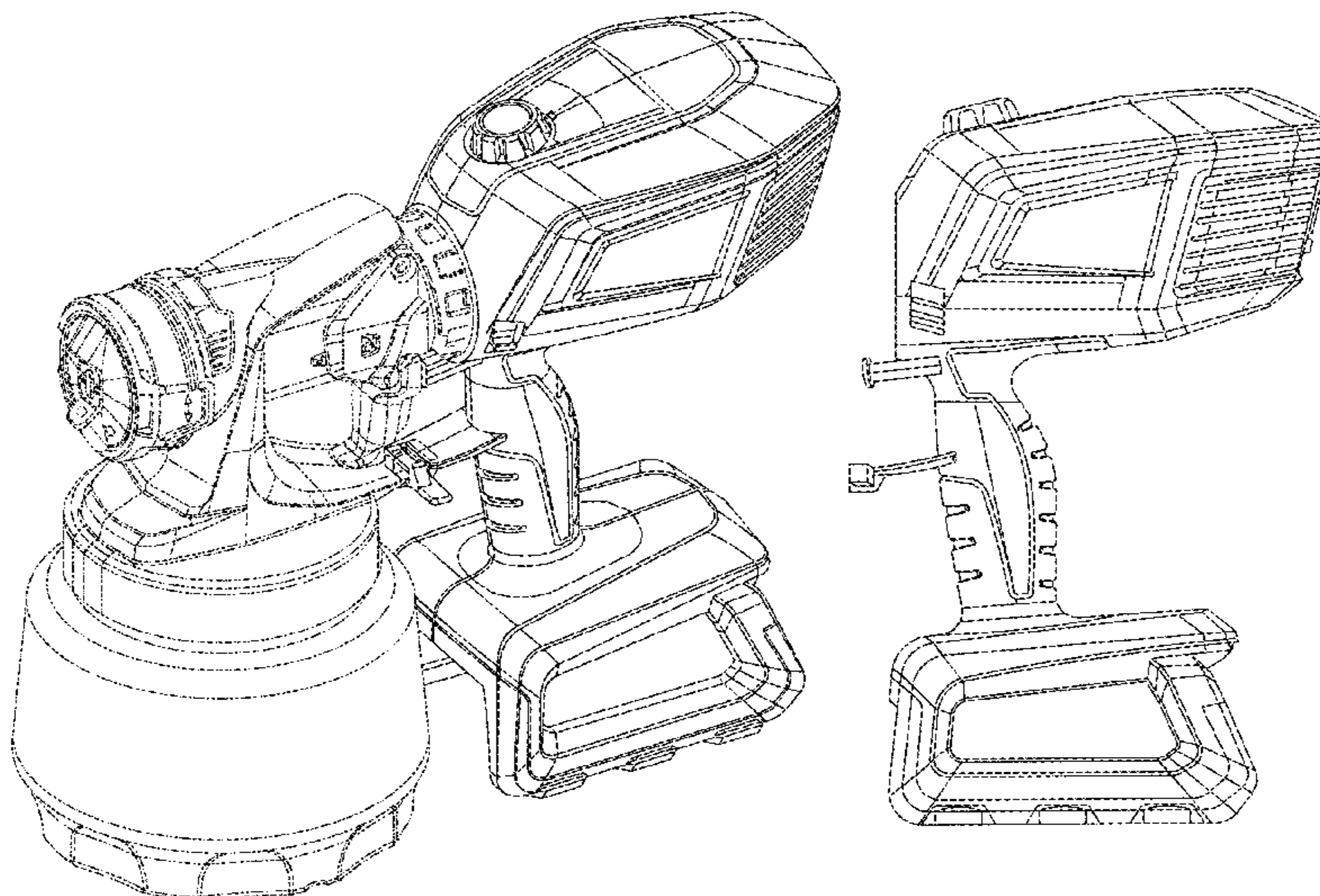
FIG. 12 is a rear view of the spray gun for paint without the unclaimed environment.

FIG. 13 is a top view of the spray gun for paint without the unclaimed environment; and,

FIG. 14 is a bottom view of the spray gun for paint without the unclaimed environment.

The details shown in broken lines form no part of the claimed design.

1 Claim, 14 Drawing Sheets



(56)

References Cited

U.S. PATENT DOCUMENTS

D633,176 S * 2/2011 Blenkush D23/225
 D651,691 S * 1/2012 Muetzel D23/225
 D657,846 S * 4/2012 Crawley D23/225
 D664,628 S * 7/2012 Zhou D23/225
 D693,428 S * 11/2013 Tullney D23/225
 D713,500 S * 9/2014 Muhl D23/225
 D723,659 S * 3/2015 Tullney D23/225
 D757,897 S * 5/2016 Tullney D23/223
 D759,199 S * 6/2016 Wrobel D23/225
 9,480,997 B2 * 11/2016 Gang B05B 7/0823
 9,555,430 B2 * 1/2017 Sulzer B05B 7/2494
 D796,004 S * 8/2017 Yang D23/225
 D809,099 S * 1/2018 Tullney D23/225
 D857,162 S * 8/2019 Dawson D23/225
 2005/0150521 A1 * 7/2005 Jones B44D 3/006
 134/169 C

2012/0080541 A1 * 4/2012 Schnell B05B 1/3026
 239/526
 2012/0305672 A1 * 12/2012 Pan B05B 7/2416
 239/526
 2013/0119156 A1 * 5/2013 Munn B05B 15/65
 137/315.01
 2013/0256426 A1 * 10/2013 Becker B05B 15/534
 137/800
 2015/0190826 A1 * 7/2015 Gang B05B 7/2472
 239/304
 2016/0332178 A1 * 11/2016 Becker B05B 9/0403
 2017/0304853 A1 * 10/2017 Krayner B05B 7/2416
 2019/0356253 A1 * 11/2019 Kruzel B05B 9/0861

OTHER PUBLICATIONS

Scuddles Paint Sprayer, Mar. 8, 2018, Amazon, site visited Mar. 28, 2022: <https://www.amazon.com/dp/B07BB2WJF4/> (Year: 2018).*

* cited by examiner

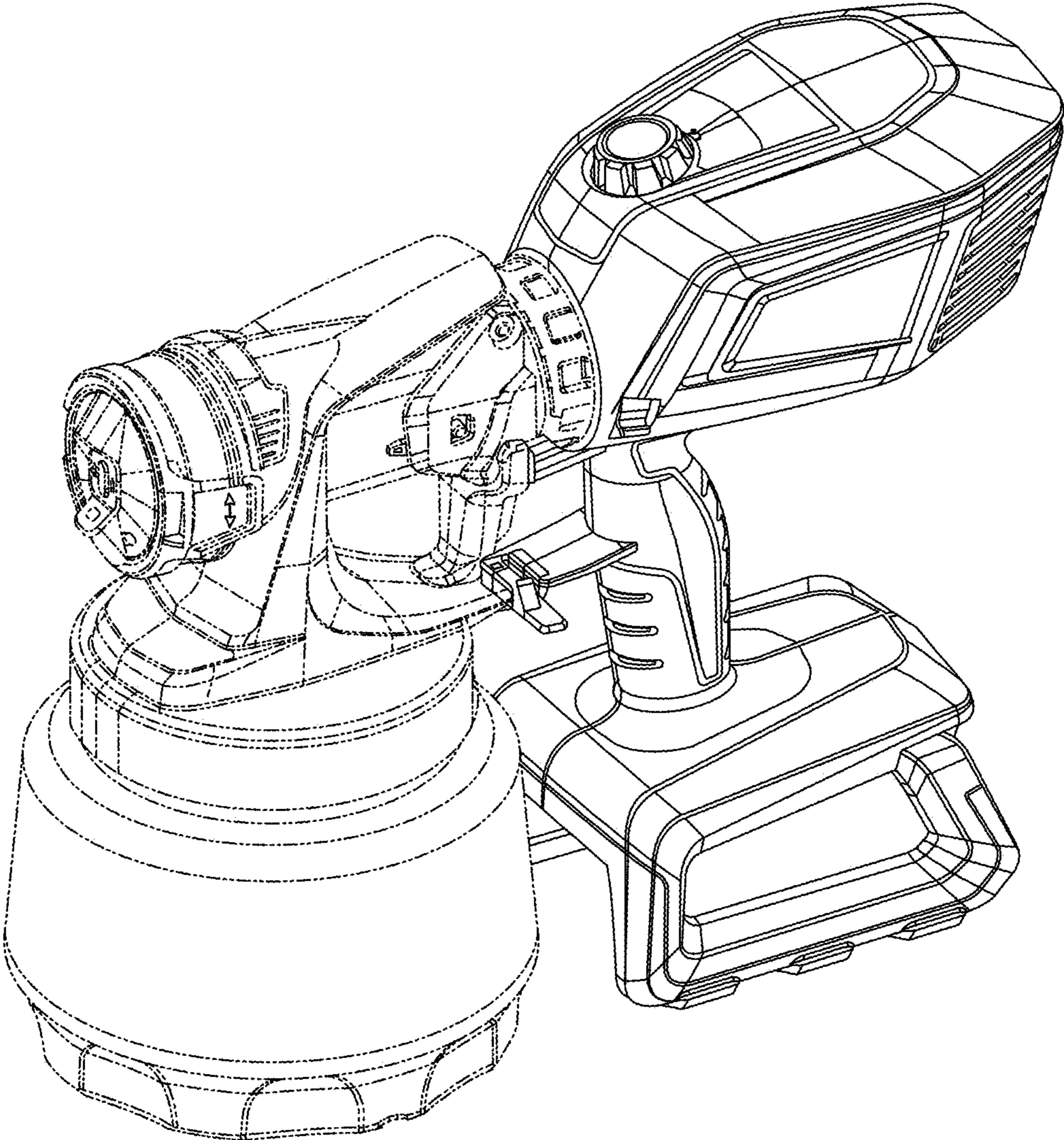


FIG. 1

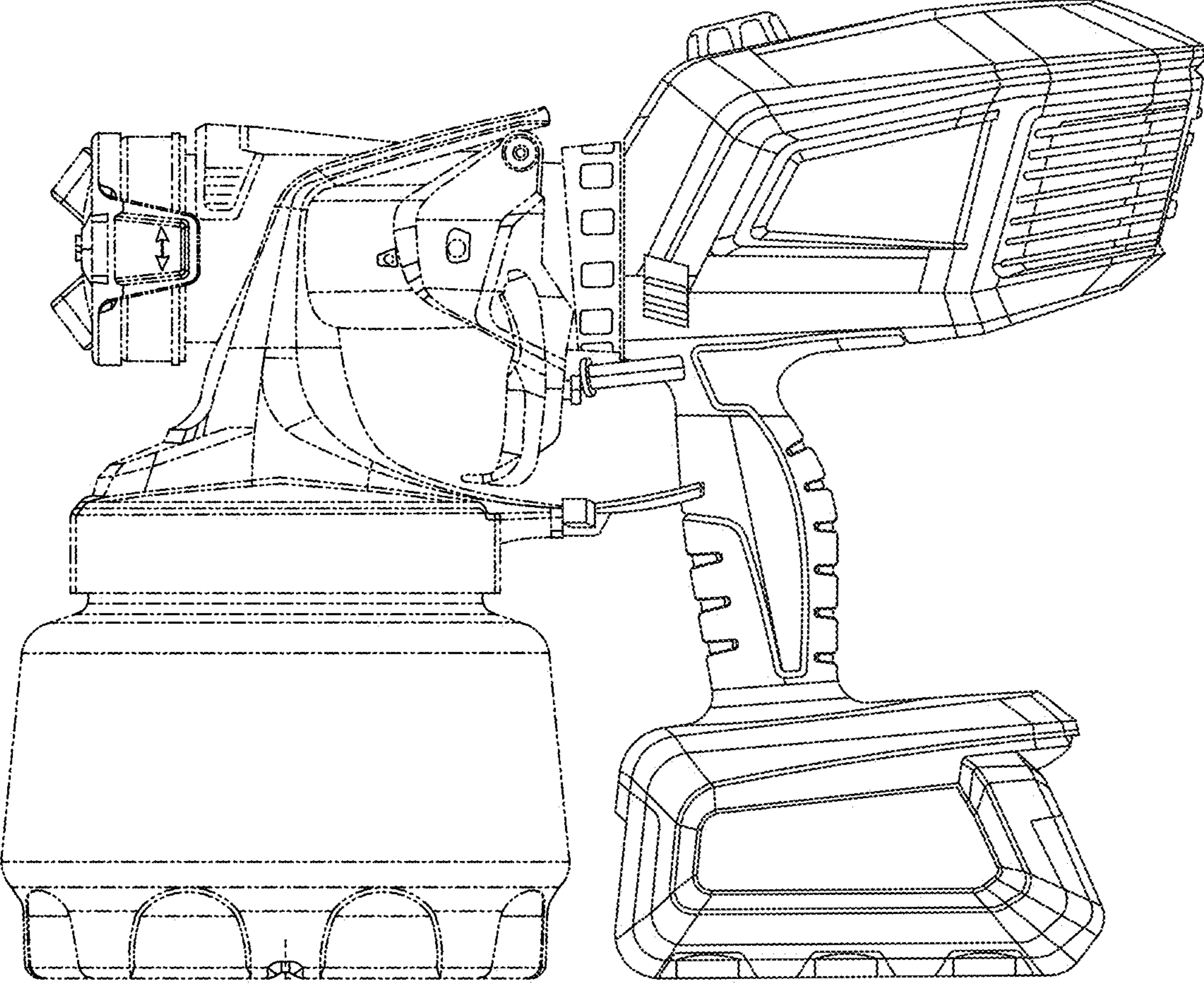


FIG. 2

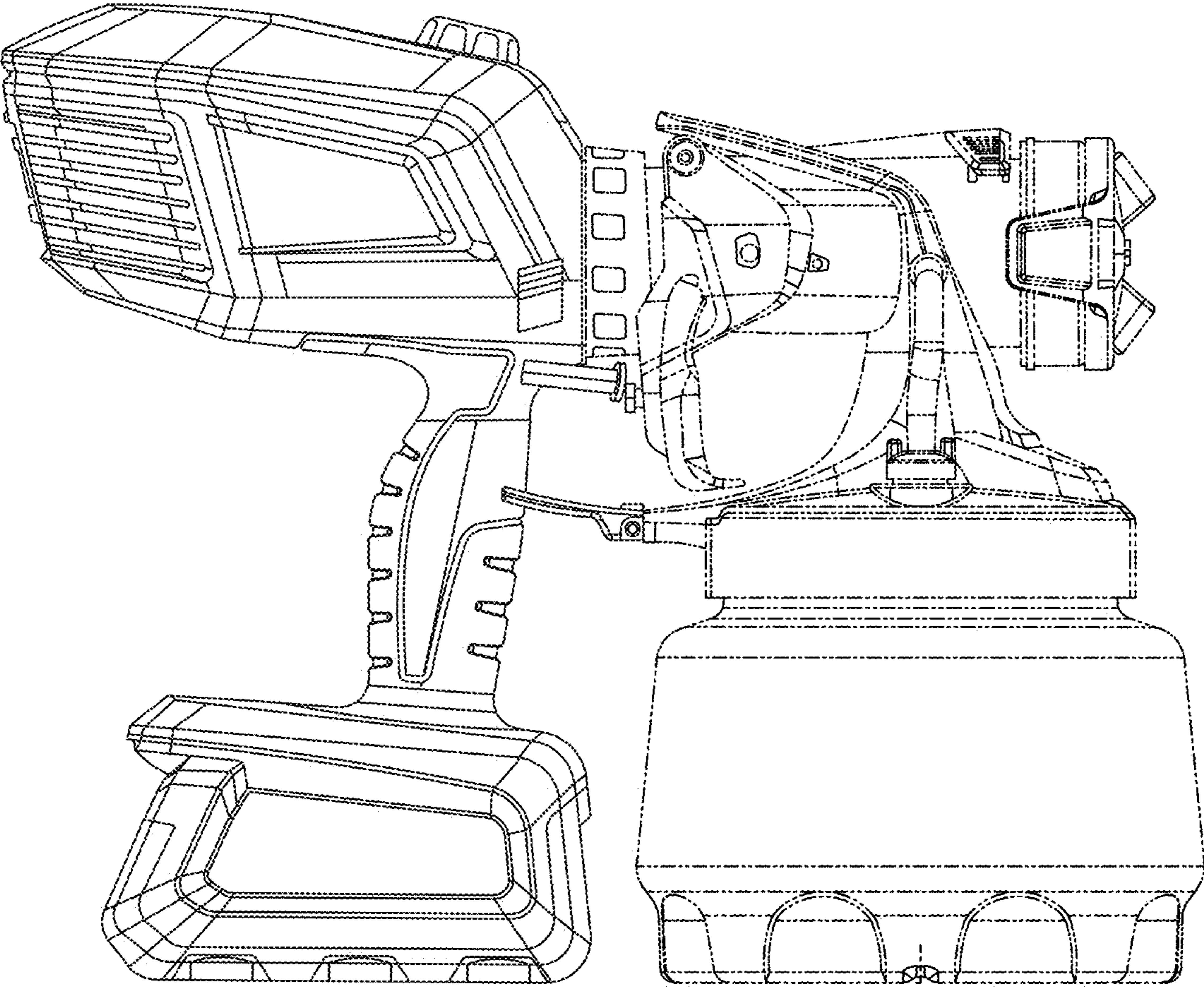


FIG. 3

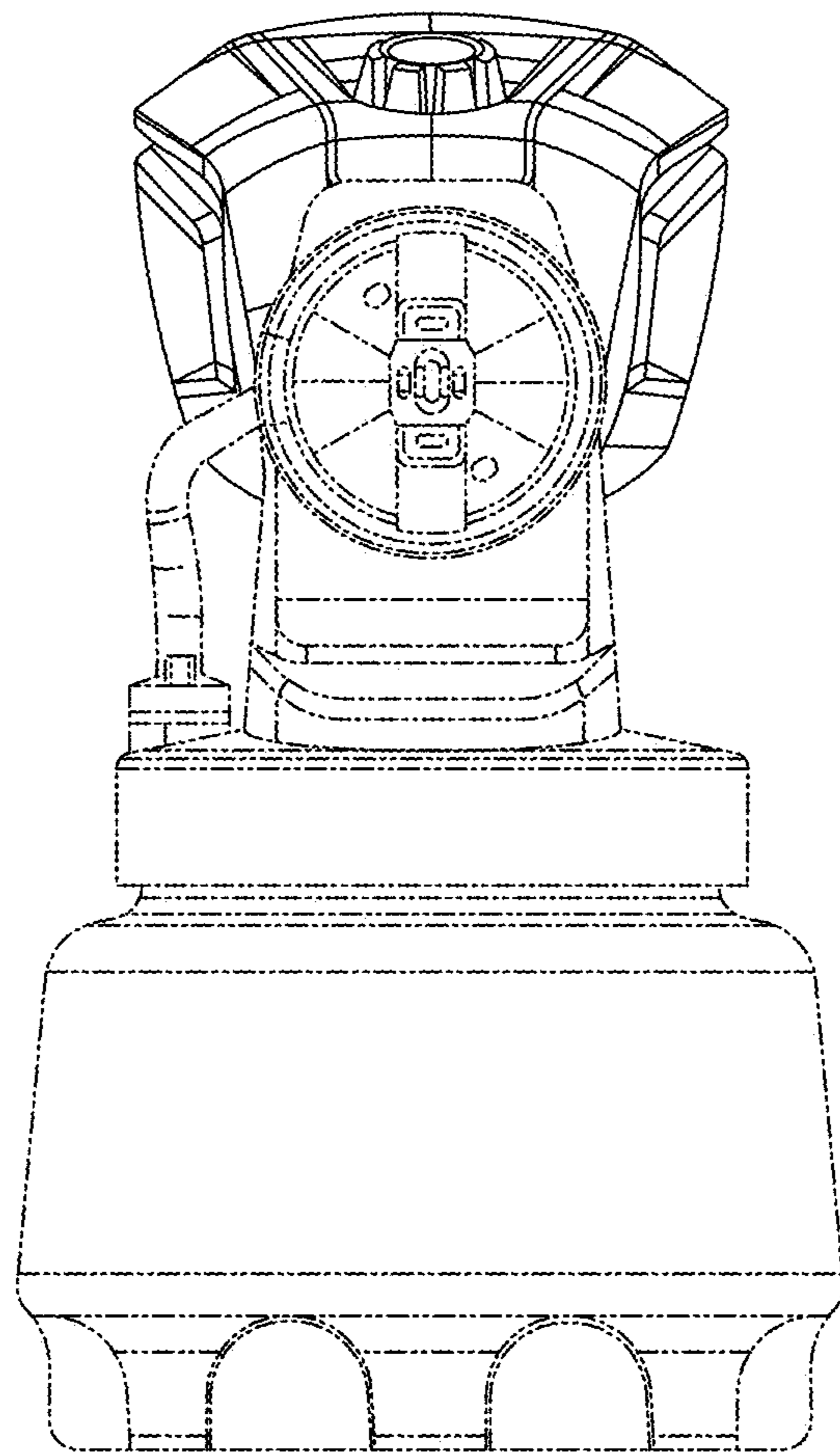


FIG. 4

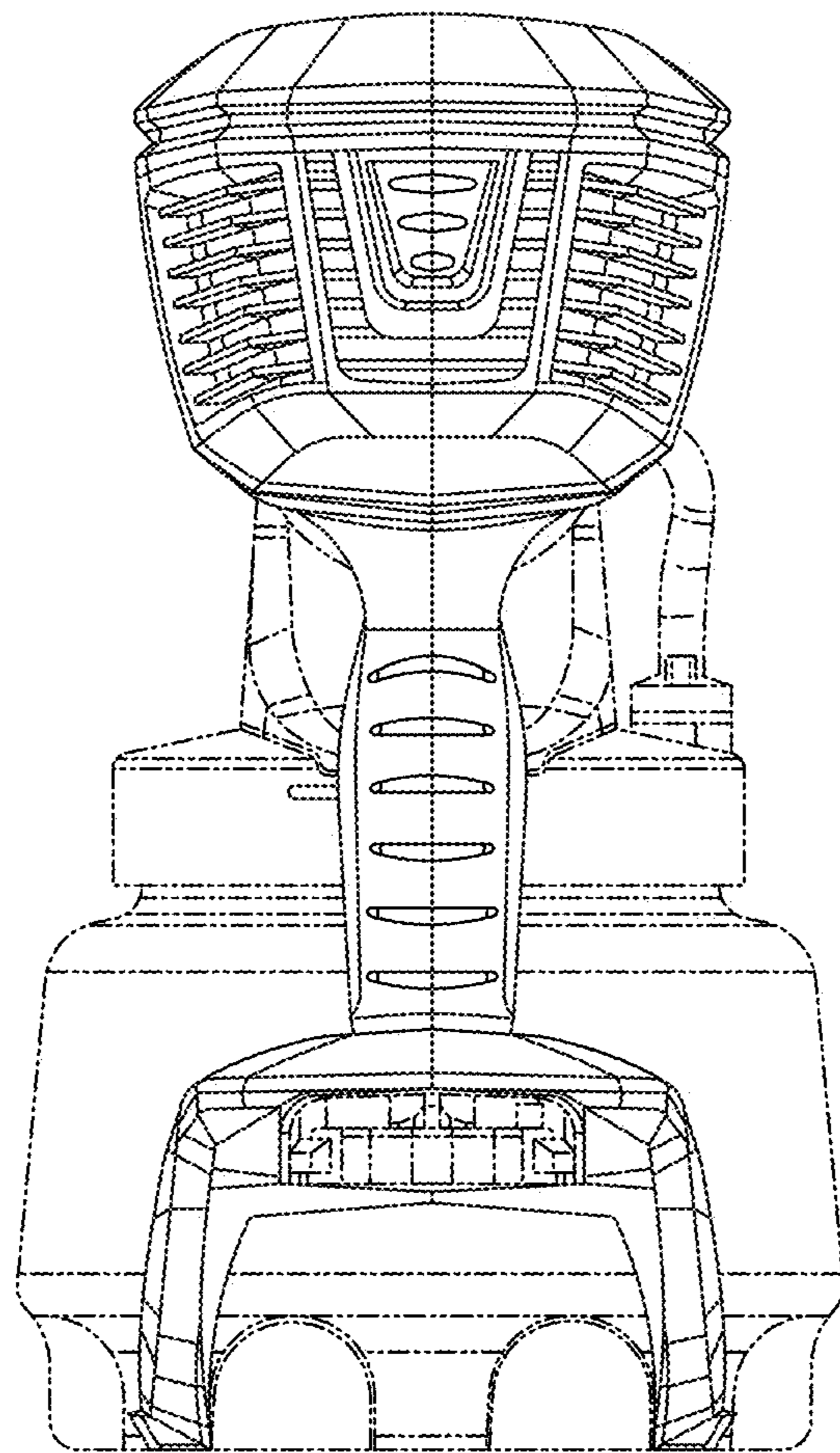


FIG. 5

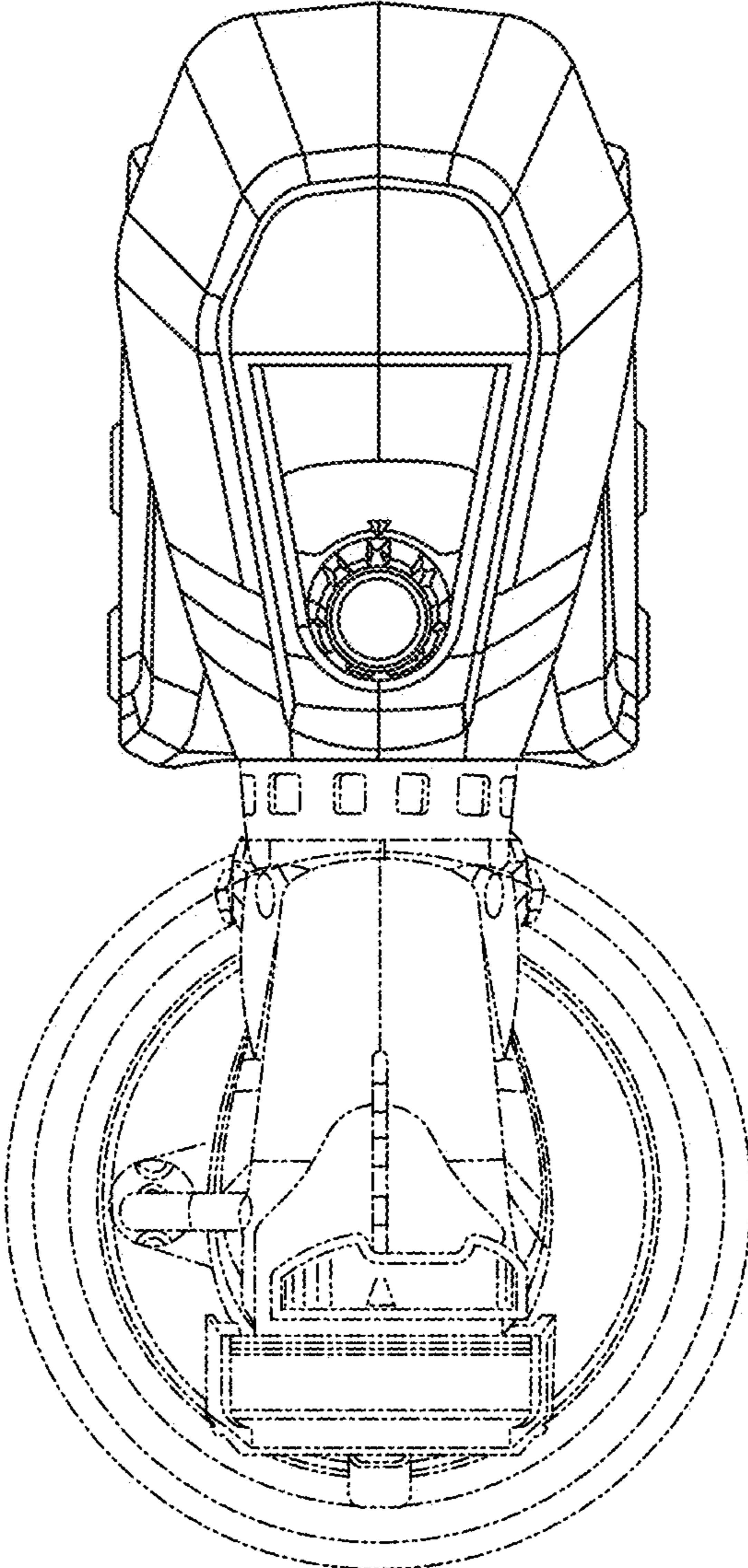


FIG. 6

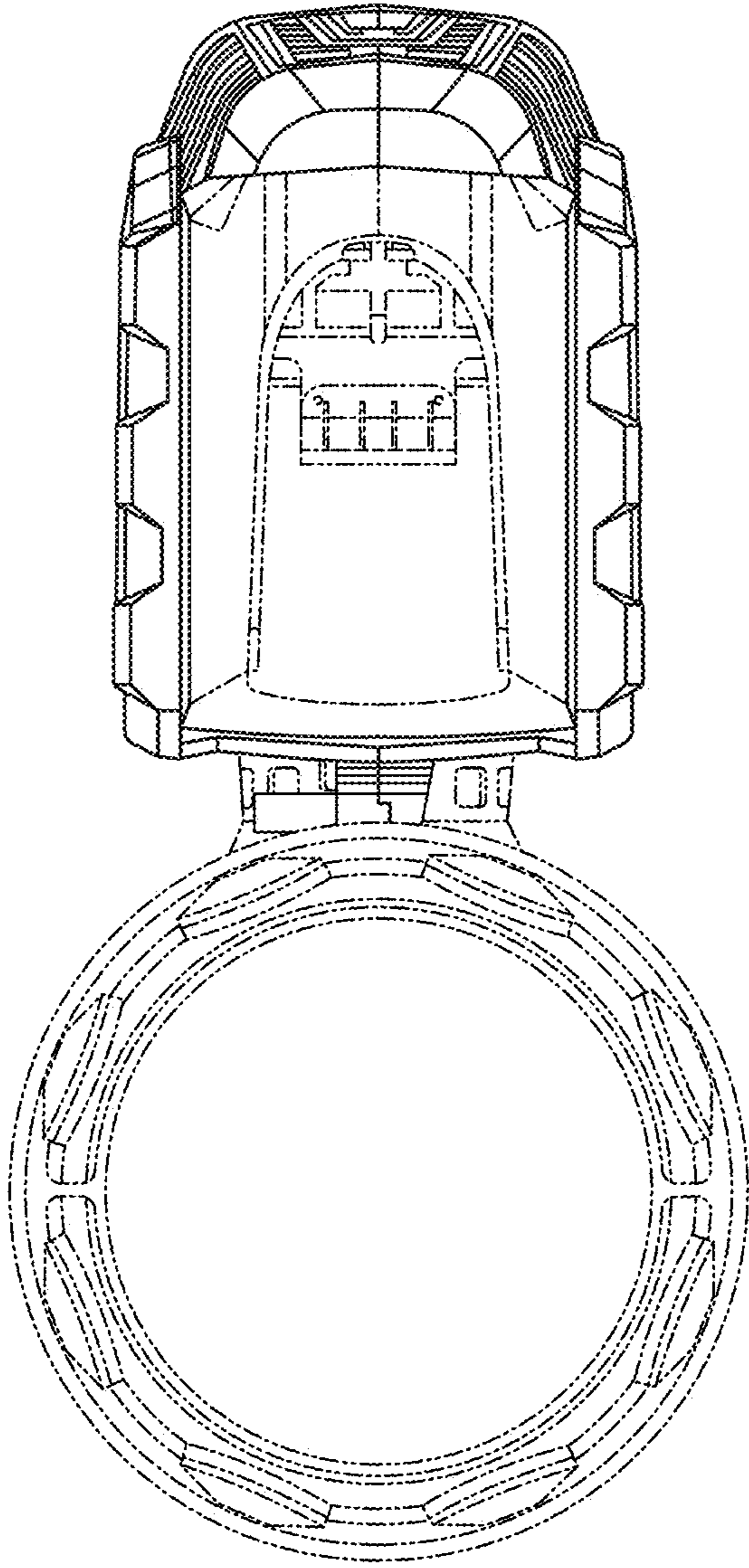


FIG. 7

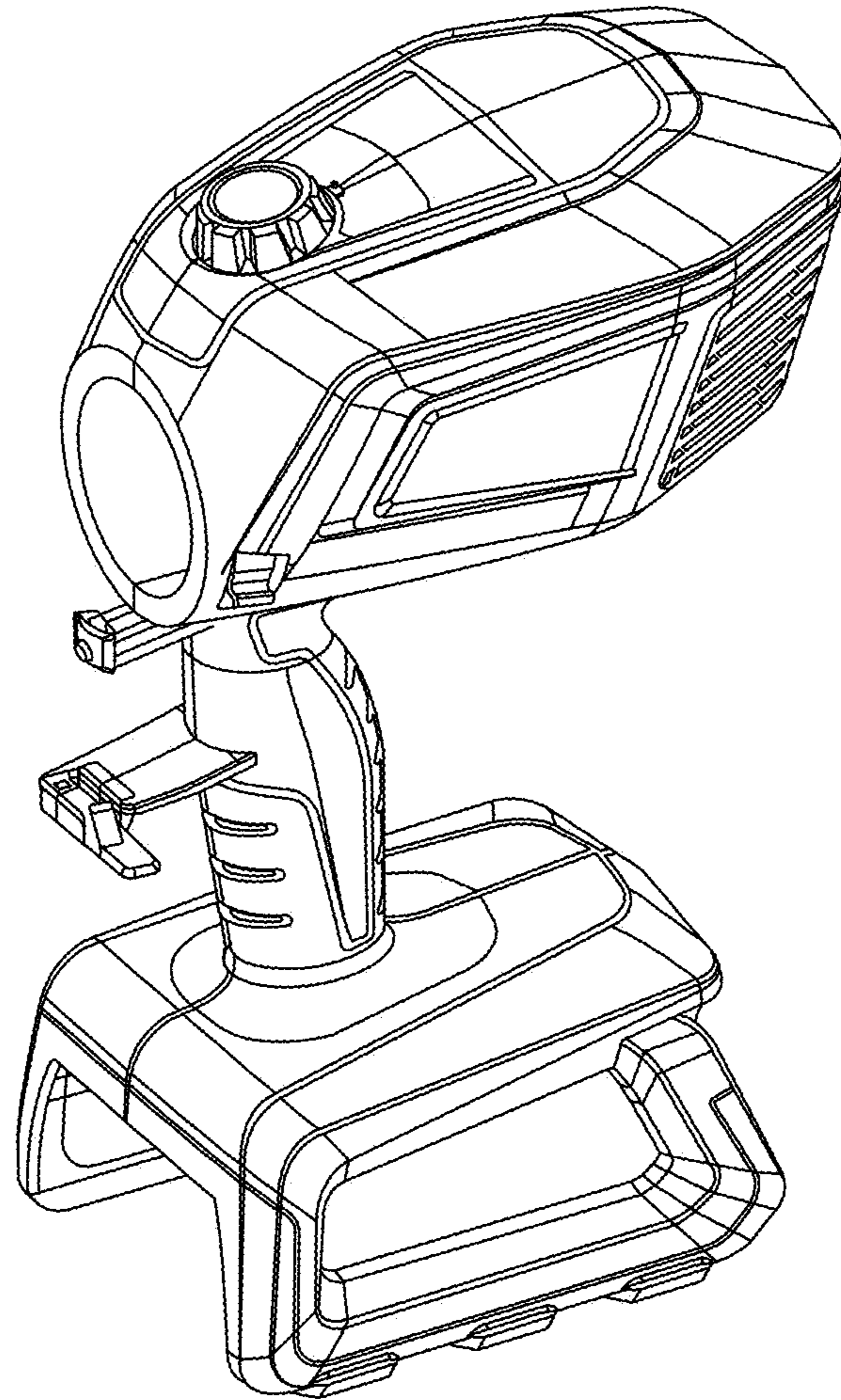


FIG. 8

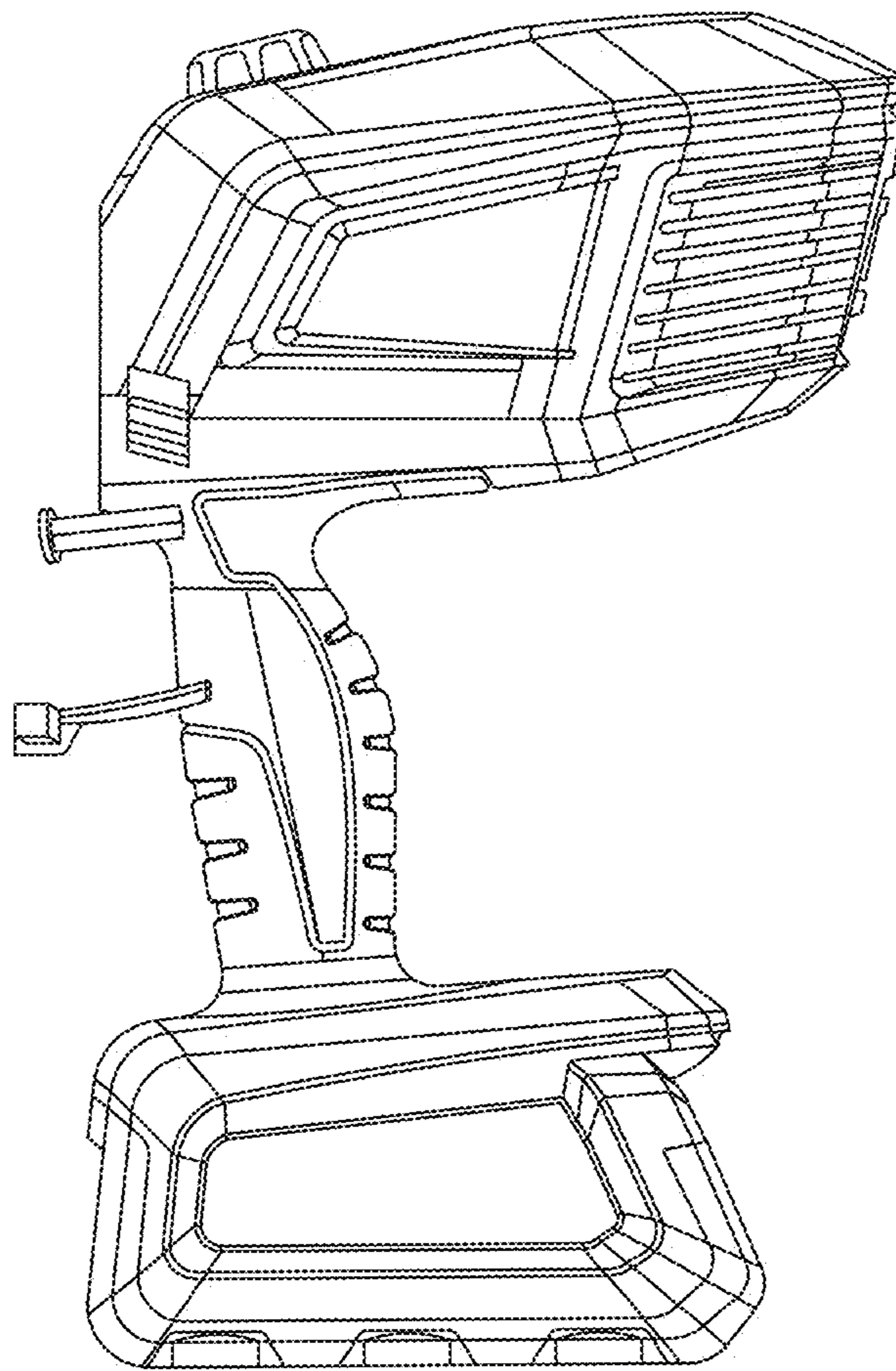


FIG. 9

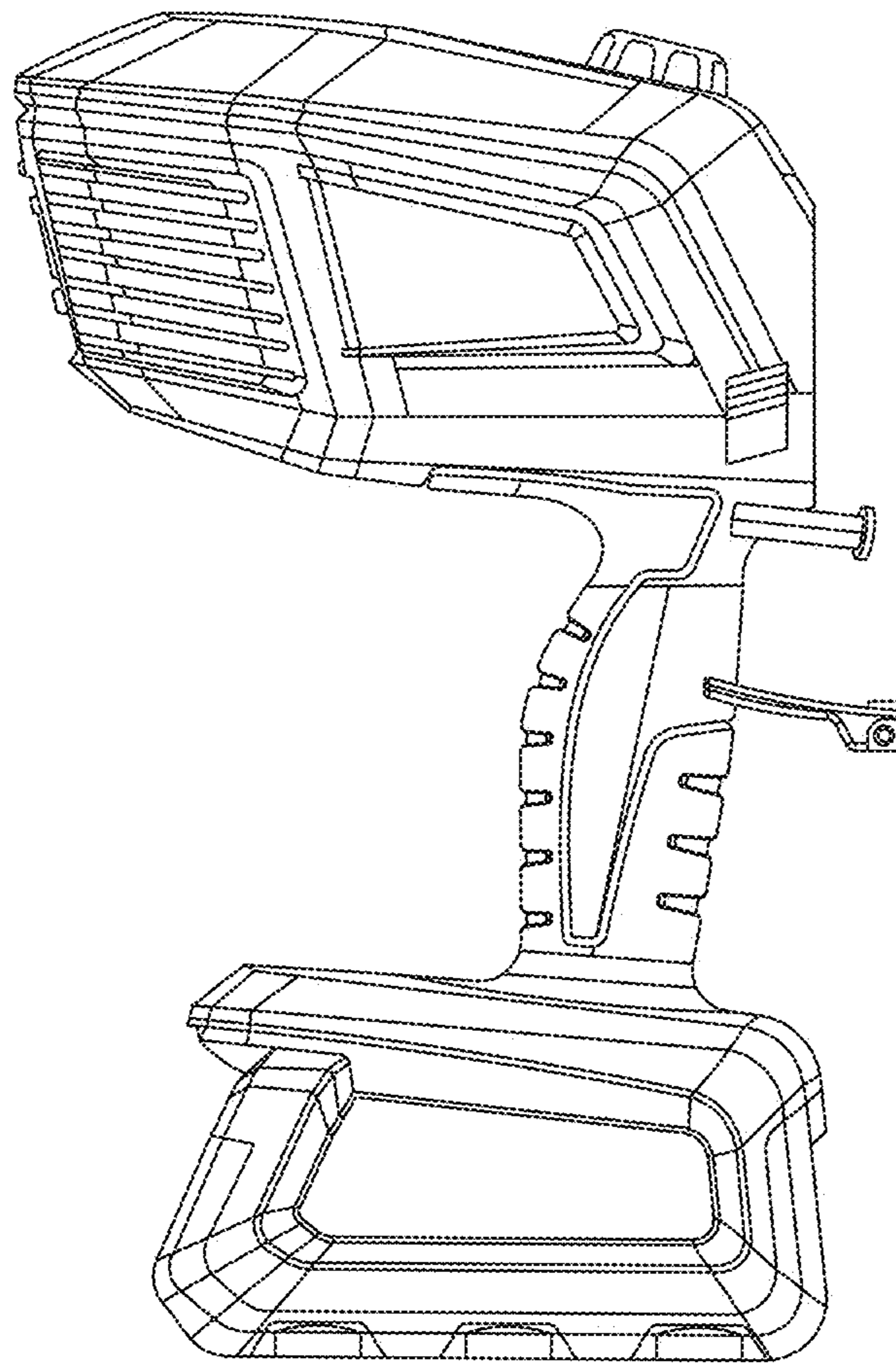


FIG. 10

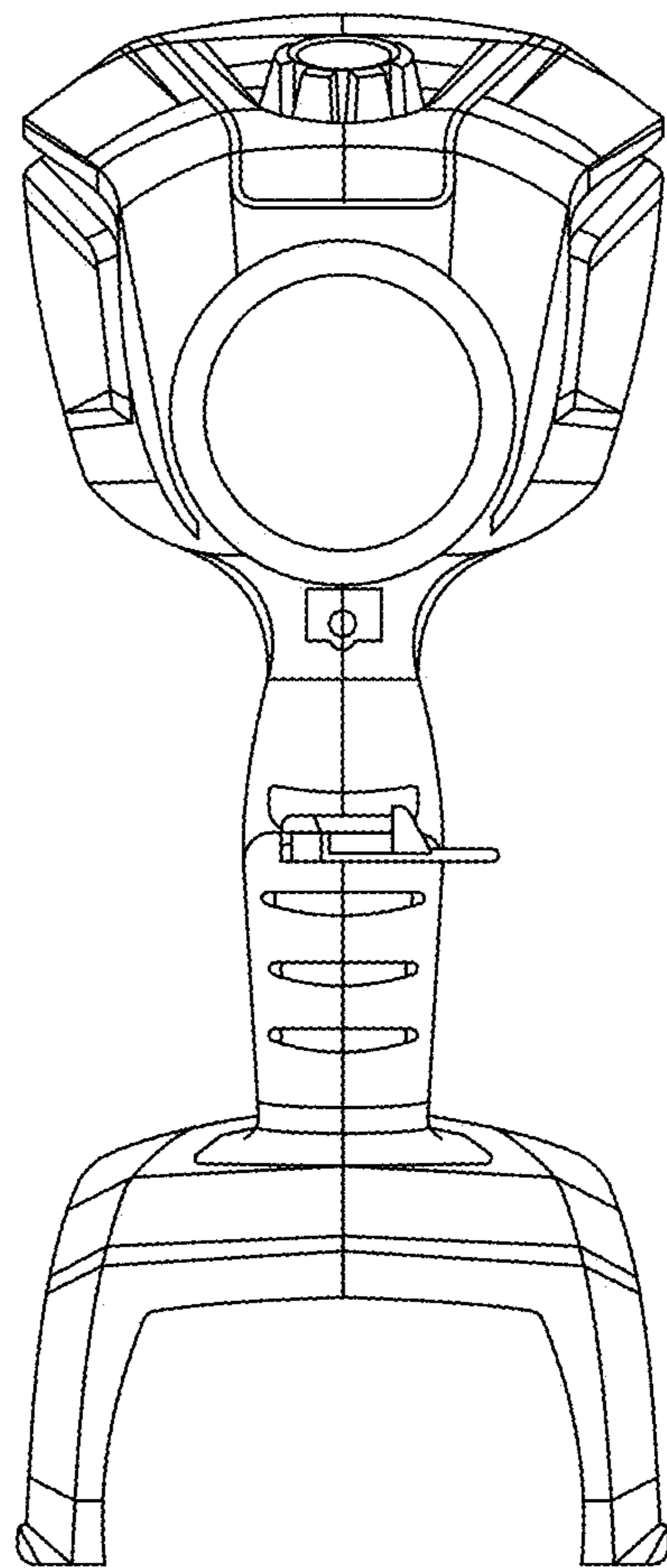


FIG. 11

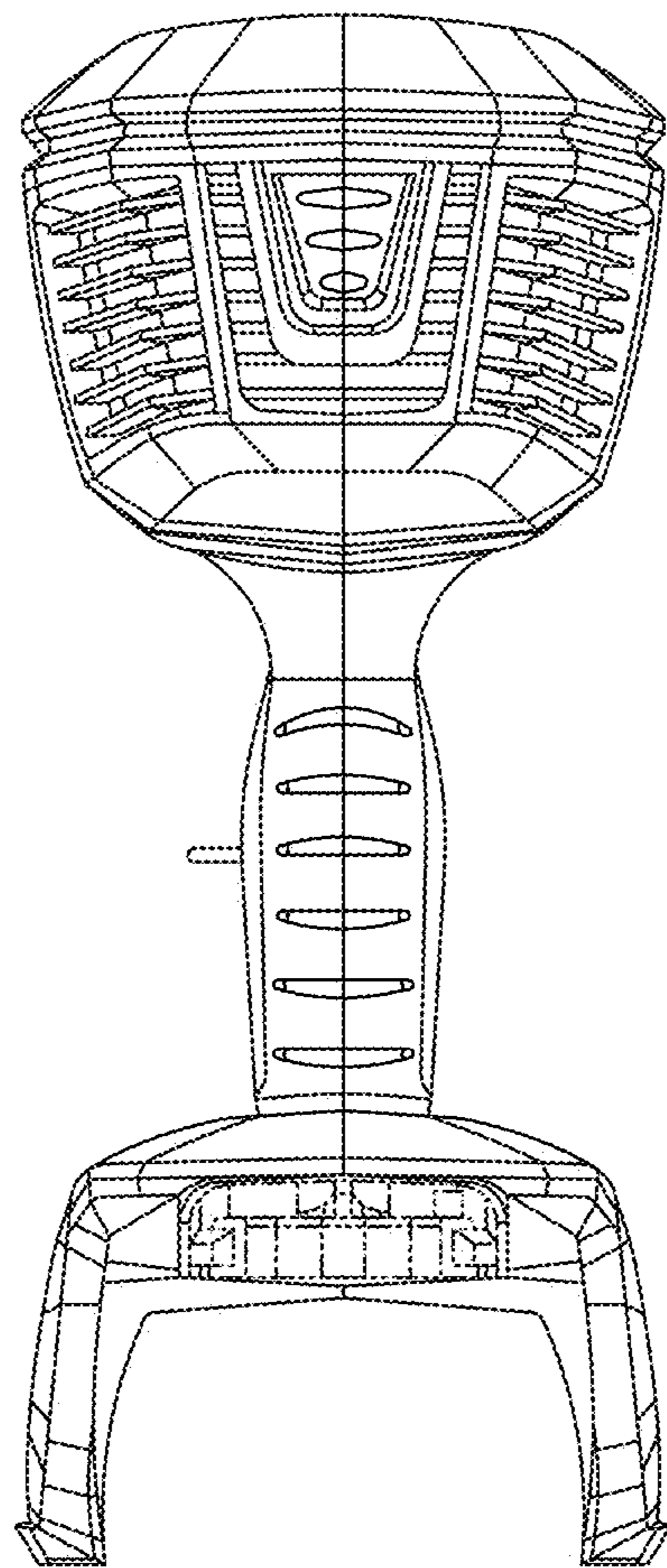


FIG. 12

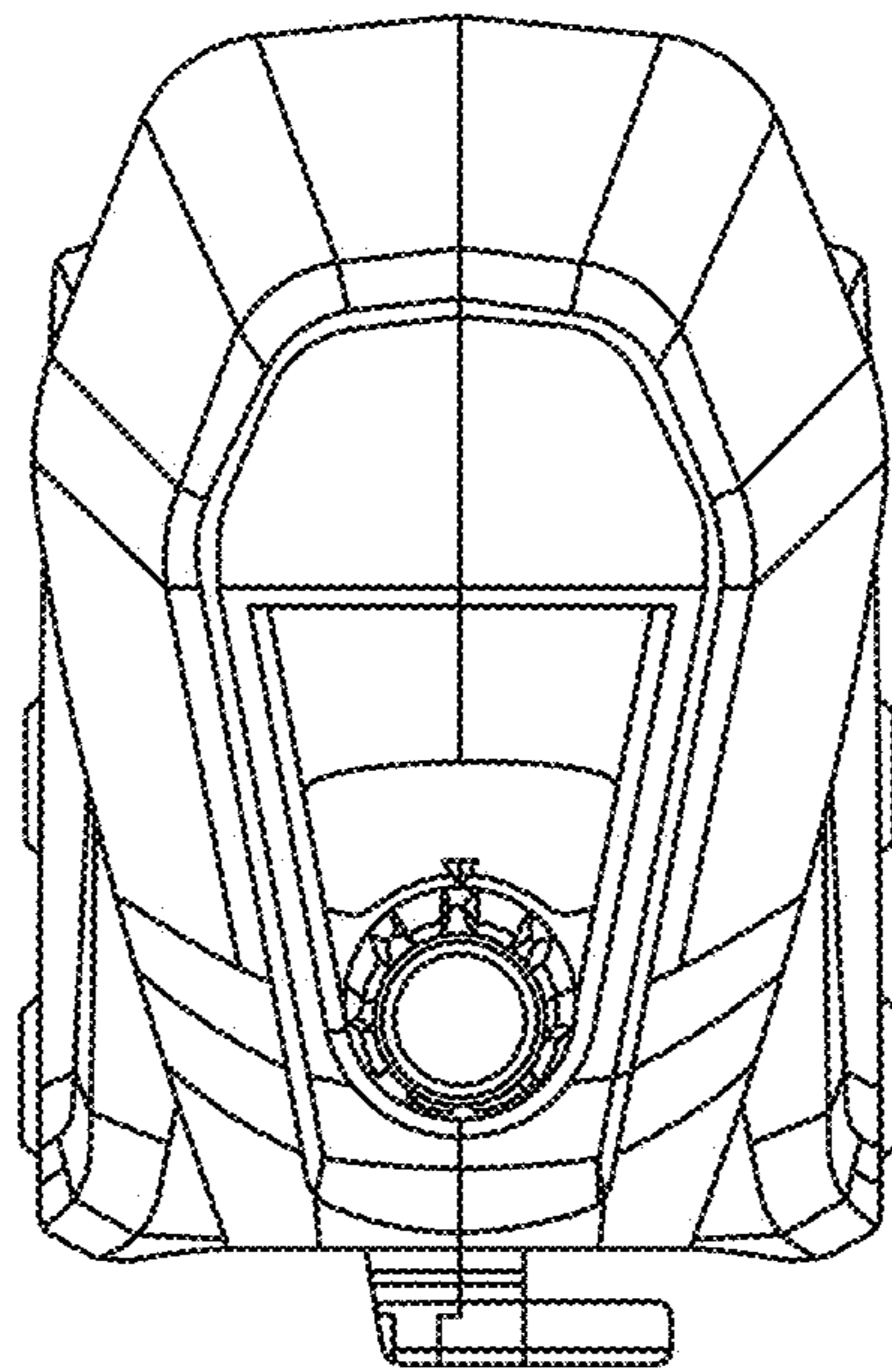


FIG. 13

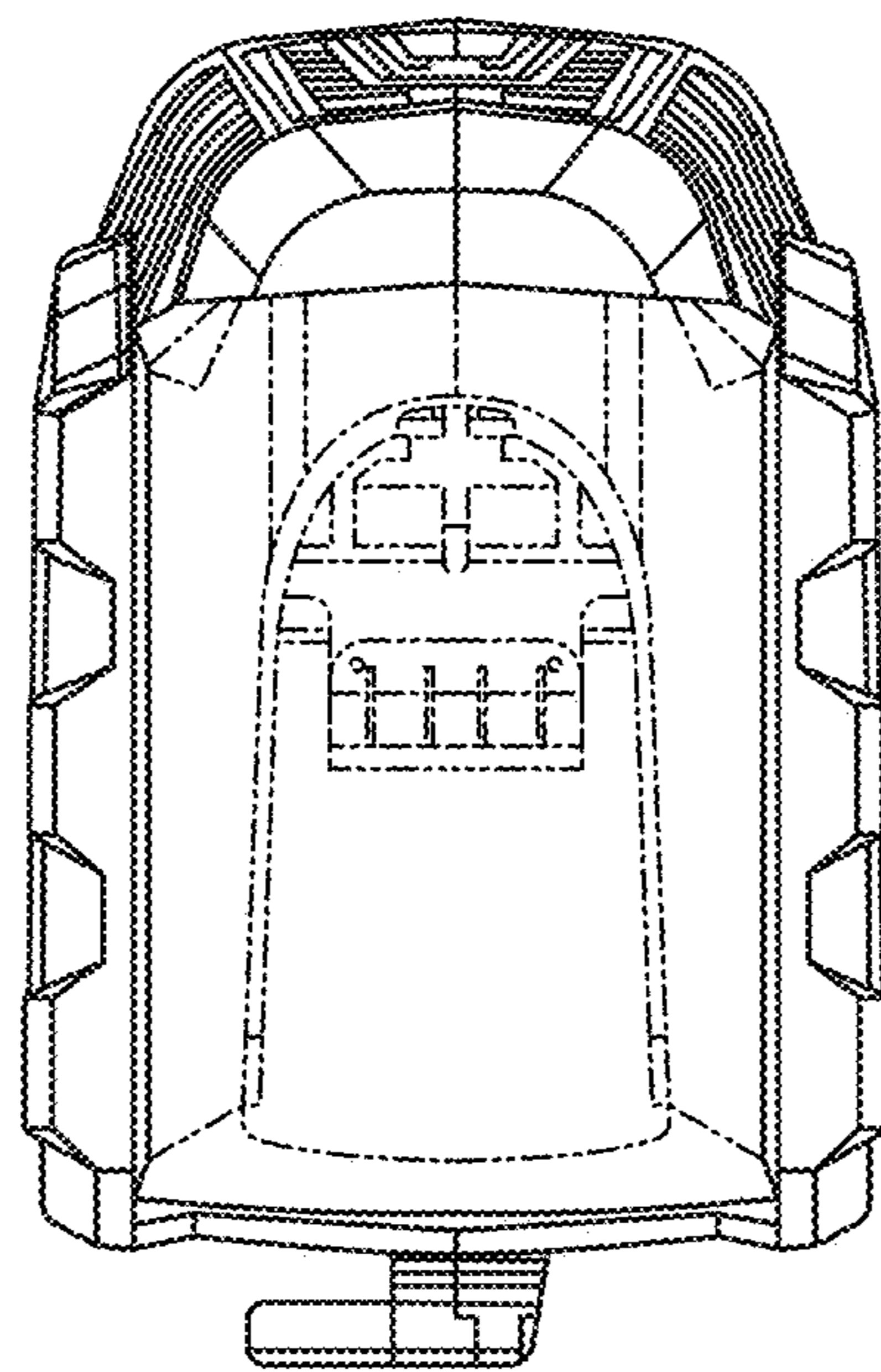


FIG. 14