



US00D985720S

(12) **United States Design Patent** (10) **Patent No.:** **US D985,720 S**
Li (45) **Date of Patent:** **** May 9, 2023**

(54) **REPELLENT SPRINKLER**

(71) Applicant: **Lan Li**, Shenzhen (CN)

(72) Inventor: **Lan Li**, Shenzhen (CN)

(**) Term: **15 Years**

(21) Appl. No.: **29/812,698**

(22) Filed: **Oct. 24, 2021**

(51) **LOC (14) Cl.** **23-01**

(52) **U.S. Cl.**
USPC **D23/213**

(58) **Field of Classification Search**
USPC D23/213, 214, 215, 223, 224, 226, 229,
D23/230
CPC A61H 9/0021; A61H 33/00; B05B 1/00;
B05B 1/14; B05B 1/185; B05B 1/08;
B05B 1/02; B05B 1/26; B05B 12/002;
B05B 1/18; B05B 9/01; F16L 37/46;
F16L 37/00; F17C 13/12; F17C
2205/0376

See application file for complete search history.

(56) **References Cited**

U.S. PATENT DOCUMENTS

3,918,643	A *	11/1975	Malcolm	B05B 3/0477
					239/233
3,930,617	A *	1/1976	Dunmire	B05B 3/0472
					239/233
4,033,509	A *	7/1977	Sheets	B05B 7/2454
					239/311
4,216,913	A *	8/1980	Troup	B05B 3/0472
					239/230
D276,174	S *	10/1984	Chow	D23/214
D285,476	S *	9/1986	Christen	D23/214
D287,267	S *	12/1986	Premo	D23/214
4,901,799	A *	2/1990	Pepi	A62C 37/12
					169/39
D348,719	S *	7/1994	Dolan	D23/214
5,727,737	A *	3/1998	Bosio	A62C 31/02
					169/37
6,336,509	B1 *	1/2002	Polan	A62C 37/11
					169/37

(Continued)

OTHER PUBLICATIONS

Orbit 56351 Zinc Impacton Metal Step Spike, Aug. 11, 2013, amazon.ca, Feb. 23, 2023, URL: <https://www.amazon.ca/Orbit-56351-Impact-Metal-2-Pack/dp/B001RCTX3A/> (Year: 2013).*

(Continued)

Primary Examiner — Keith J Wilson

(74) *Attorney, Agent, or Firm* — Li & Cai Intellectual Property (USA) Office

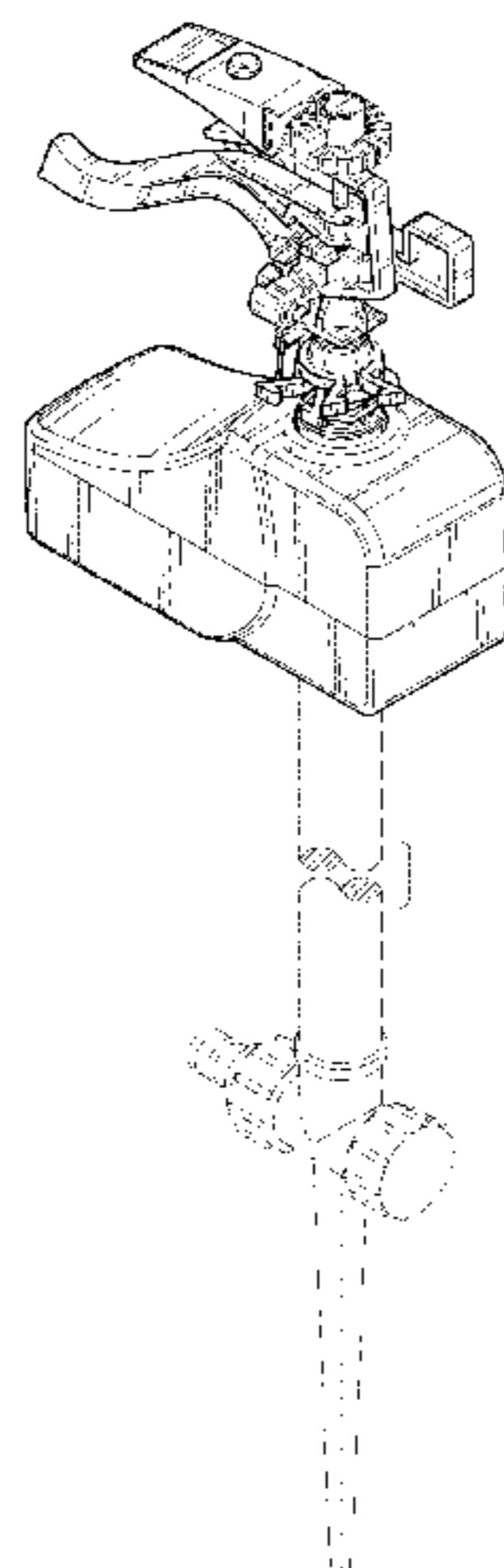
(57) **CLAIM**

The ornamental design for a repellent sprinkler, as shown and described.

DESCRIPTION

FIG. 1 is a front, right side, top perspective view of a repellent sprinkler showing the claimed design;
 FIG. 2 is a front elevational view thereof;
 FIG. 3 is a rear elevational view thereof;
 FIG. 4 is a left side elevational view thereof;
 FIG. 5 is a right side elevational view thereof;
 FIG. 6 is a top plan view thereof;
 FIG. 7 is a bottom plan view thereof;
 FIG. 8 is a rear, left side, bottom perspective view thereof;
 and,
 FIG. 9 is a front, right side, top perspective view of a repellent sprinkler head with a wall mounting hook attached on a right side to replace a ground stake.
 The dashed broken lines in the drawing depict portions of the repellent sprinkler that form no part of the claimed design.
 The wall mounting hook shown in dashed broken lines in FIG. 9 depict environment that forms no part of the claimed design.

1 Claim, 8 Drawing Sheets



(56)

References Cited

U.S. PATENT DOCUMENTS

6,758,410 B2 * 7/2004 Kuo B05B 15/656
239/276
6,868,917 B2 * 3/2005 Meyer A62C 37/11
169/16
7,137,455 B2 * 11/2006 Green A62C 31/02
169/37
7,191,958 B1 * 3/2007 Wang B05B 3/0436
239/206
D544,569 S * 6/2007 Franson D23/214
D546,415 S * 7/2007 Franson D23/214
D546,416 S * 7/2007 Franson D23/214
D546,417 S * 7/2007 Franson D23/214
D550,808 S * 9/2007 Franson D23/213
D551,320 S * 9/2007 Franson D23/214
7,353,882 B2 * 4/2008 Pahila A62C 37/14
169/16
D603,479 S * 11/2009 Koiwa D23/214
D612,450 S * 3/2010 Feenstra D23/214
D617,415 S * 6/2010 Feenstra D23/214
7,819,201 B2 * 10/2010 Pounder A62C 37/11
169/16

D638,913 S * 5/2011 Koiwa D23/214
8,122,969 B1 * 2/2012 Fischer A62C 31/02
169/16
D667,079 S * 9/2012 Polan D23/214
8,387,711 B2 * 3/2013 Cordell A62C 35/68
169/16
D699,321 S * 2/2014 Karihara D23/214
8,672,236 B2 * 3/2014 Gal A01G 25/00
239/230
D724,696 S * 3/2015 Barmoav D23/214
D726,871 S * 4/2015 Keynan D23/214
D781,399 S * 3/2017 Koiwa D23/214
D819,170 S * 5/2018 Vallo D23/214
D819,171 S * 5/2018 Vallo D23/221
D934,382 S * 10/2021 Vallo D23/220

OTHER PUBLICATIONS

Orbit 62100 Yard Enforcer Motion Activated Sprinkler, Dec. 10, 2012, amazon.ca, Feb. 23, 2023, URL: <https://www.amazon.ca/Orbit-62100-Activated-Sprinkler-Detection/dp/B009F1R0GC/> (Year: 2012).*

* cited by examiner

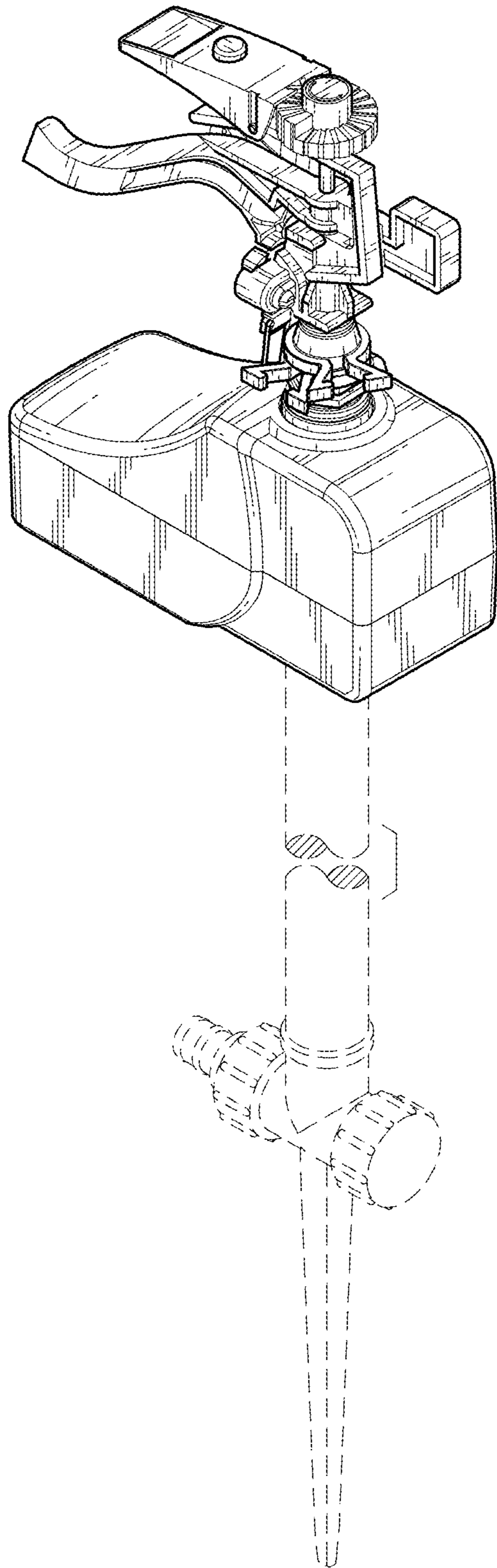


FIG. 1

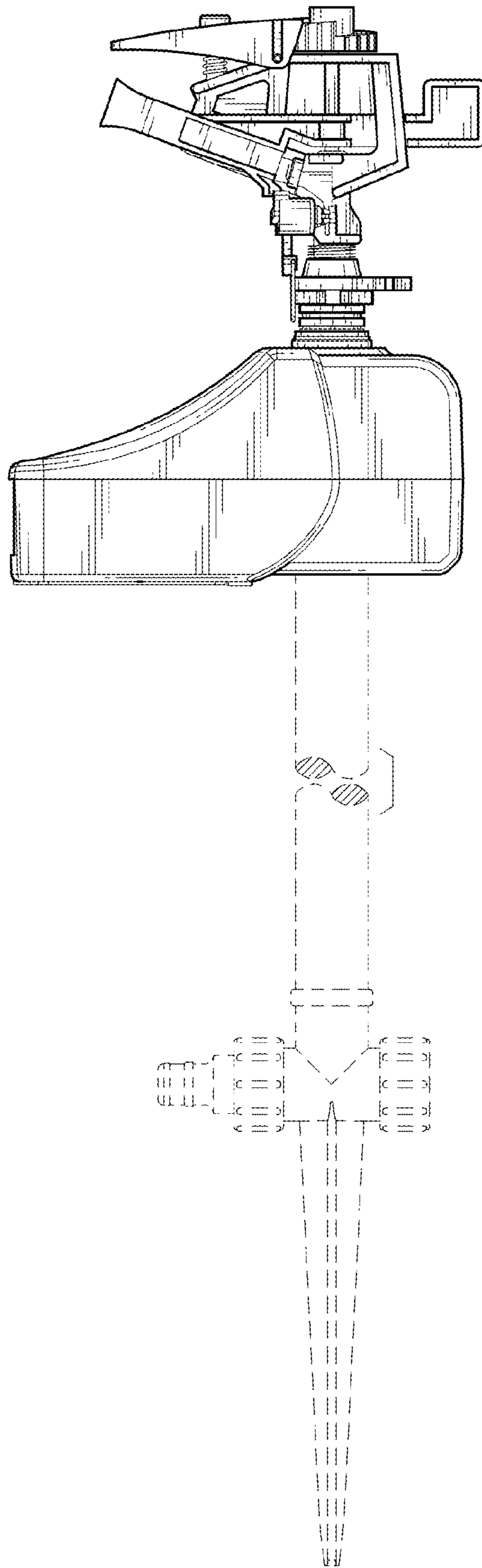


FIG. 2

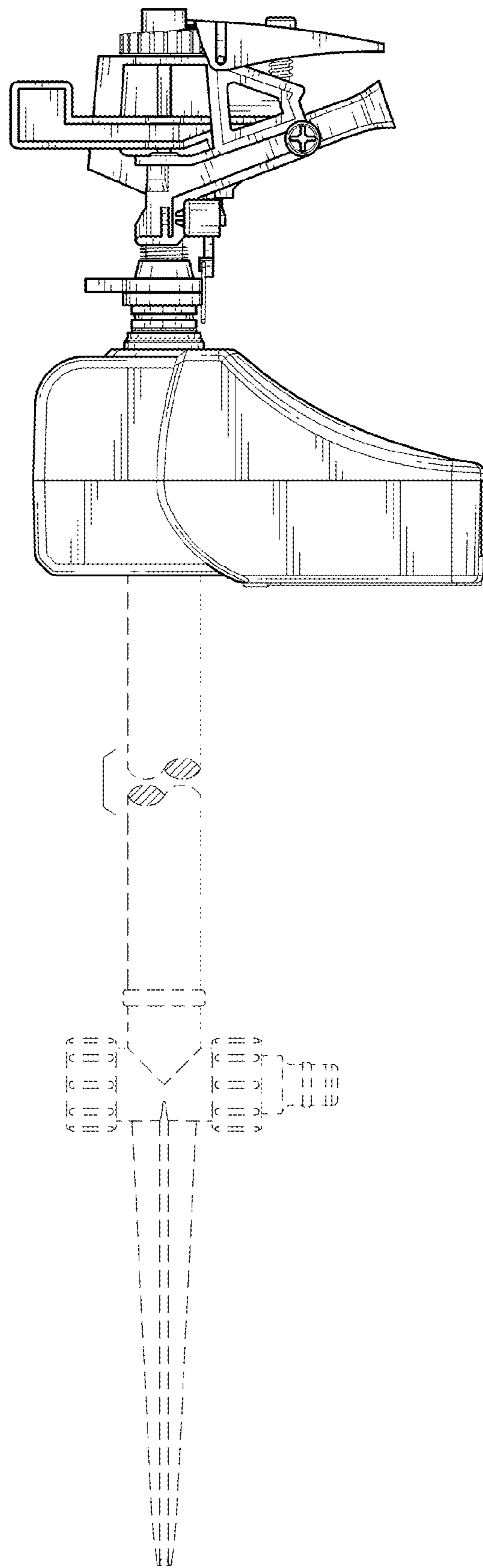


FIG. 3

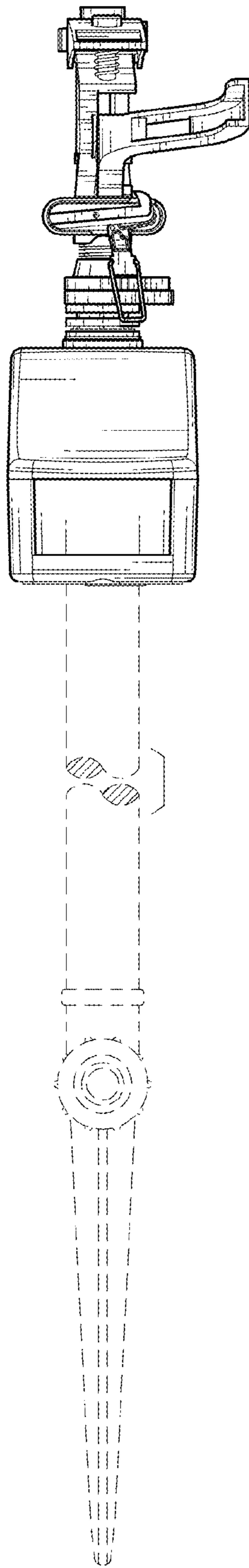


FIG. 4

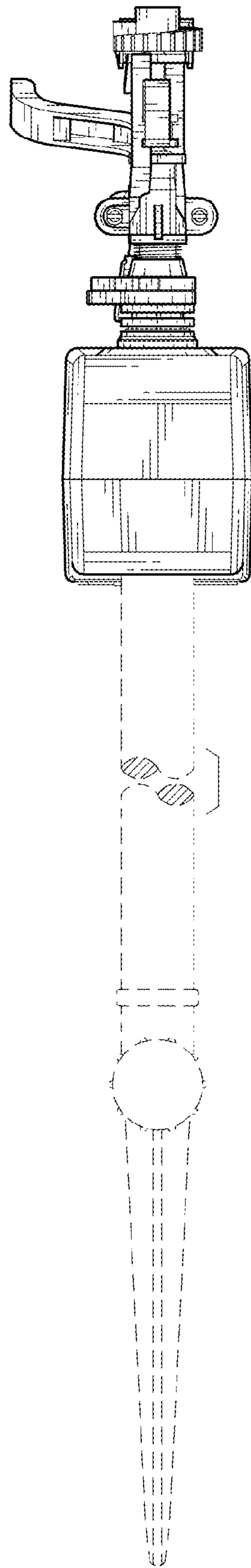


FIG. 5

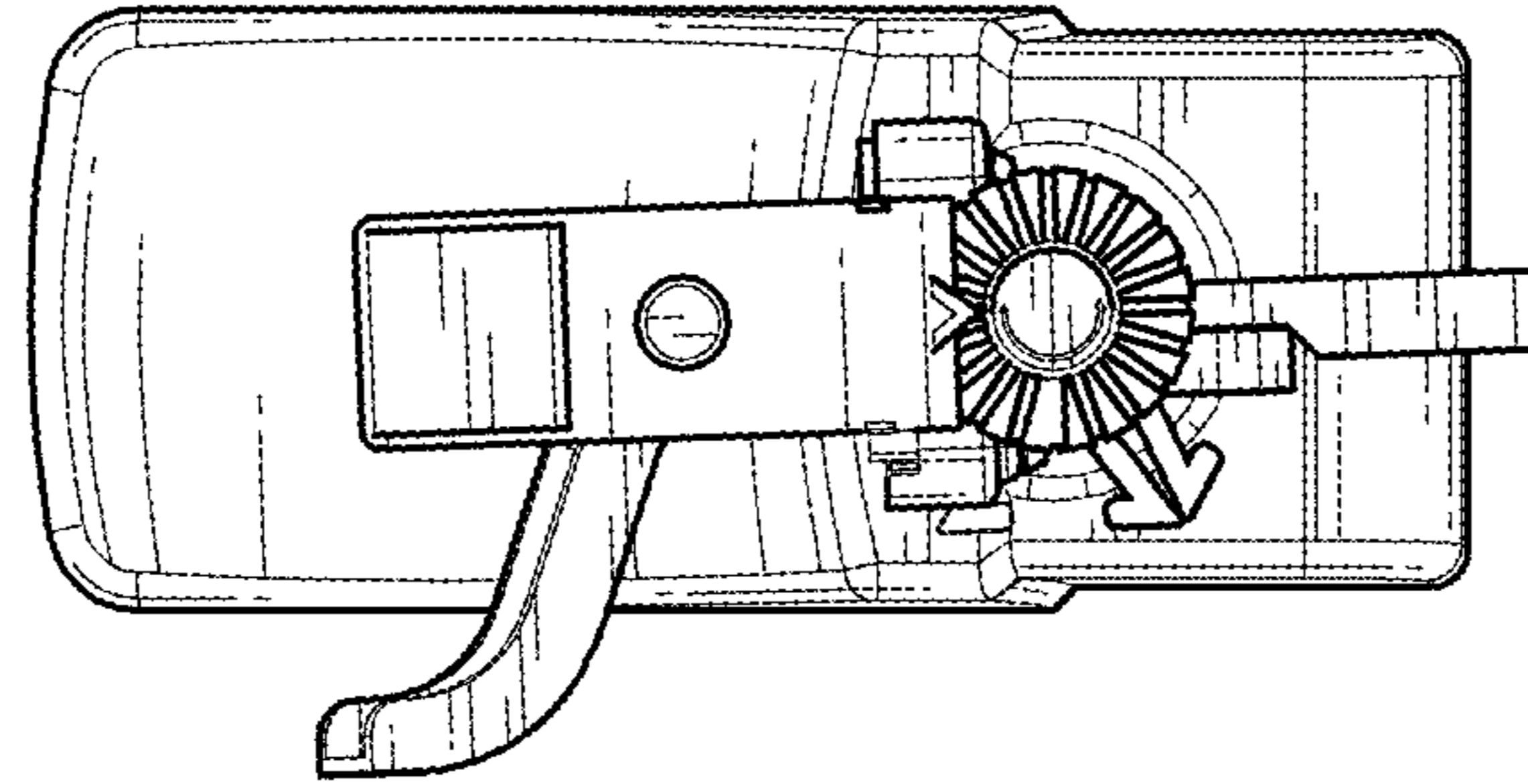


FIG. 6

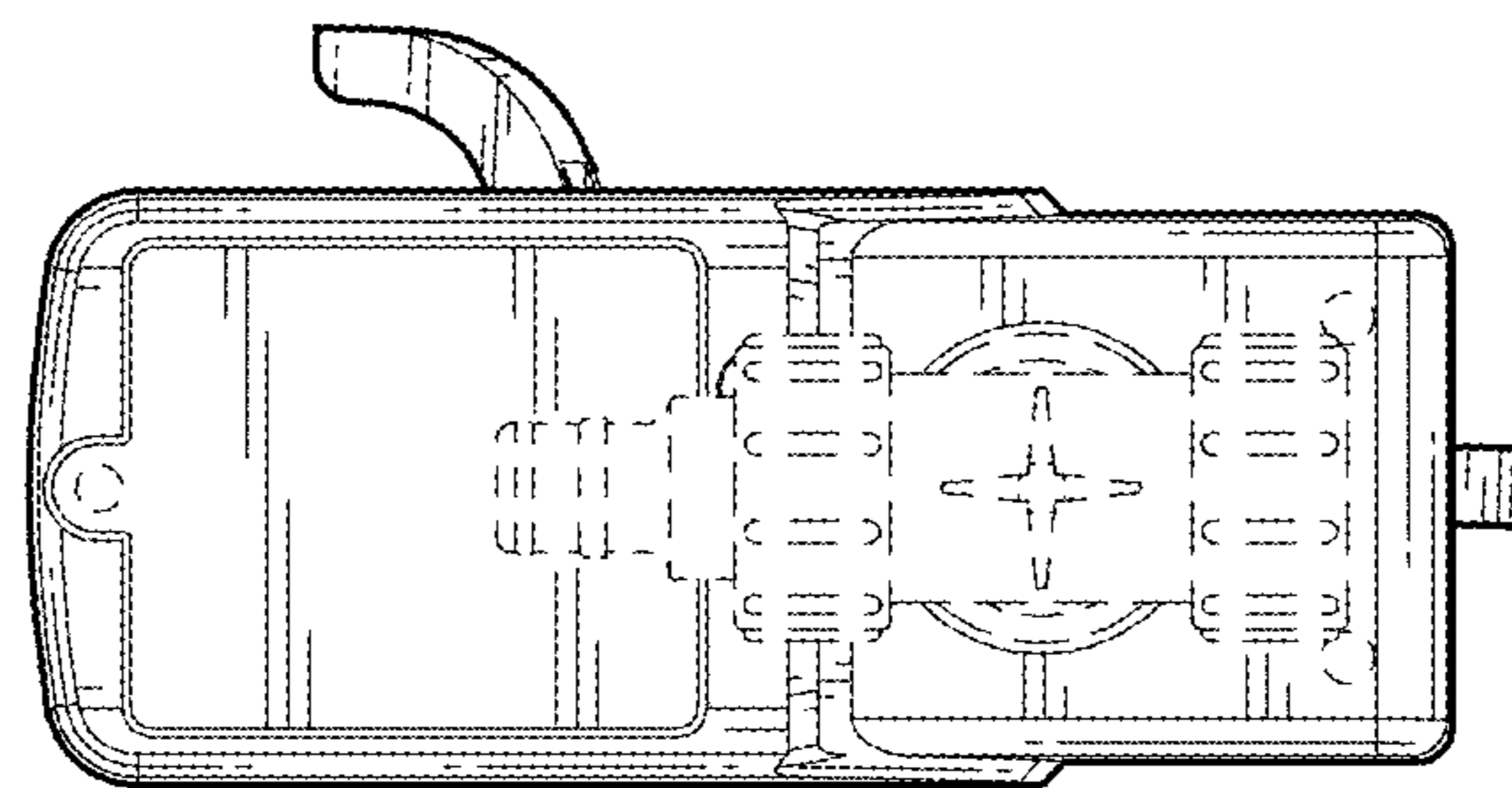


FIG. 7

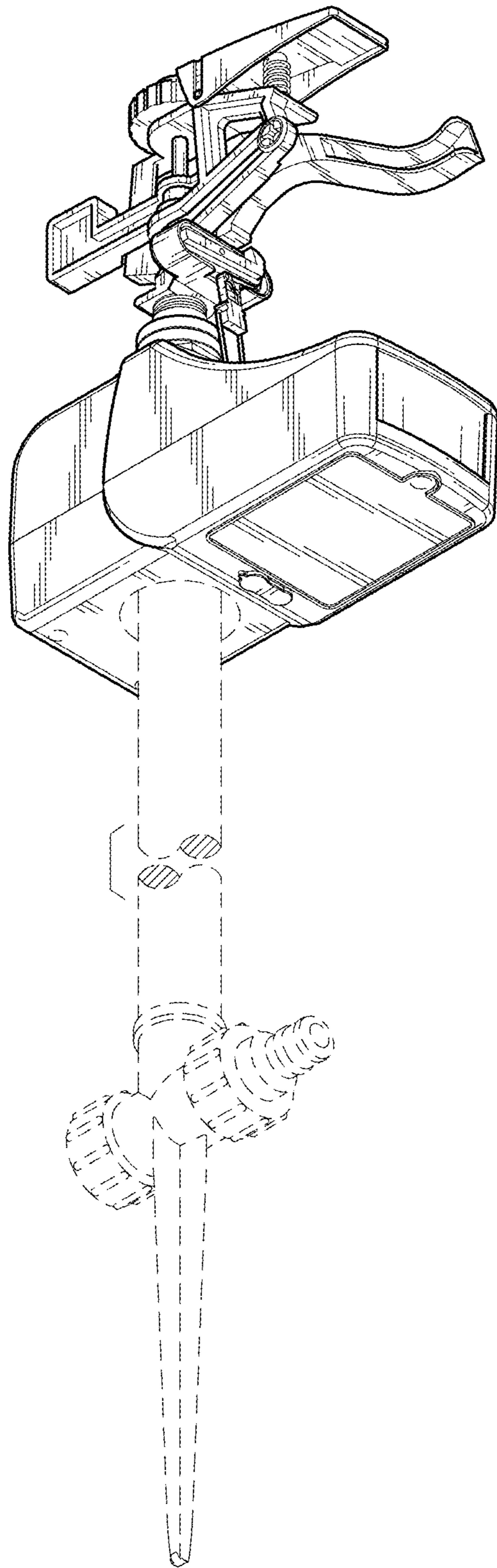


FIG. 8

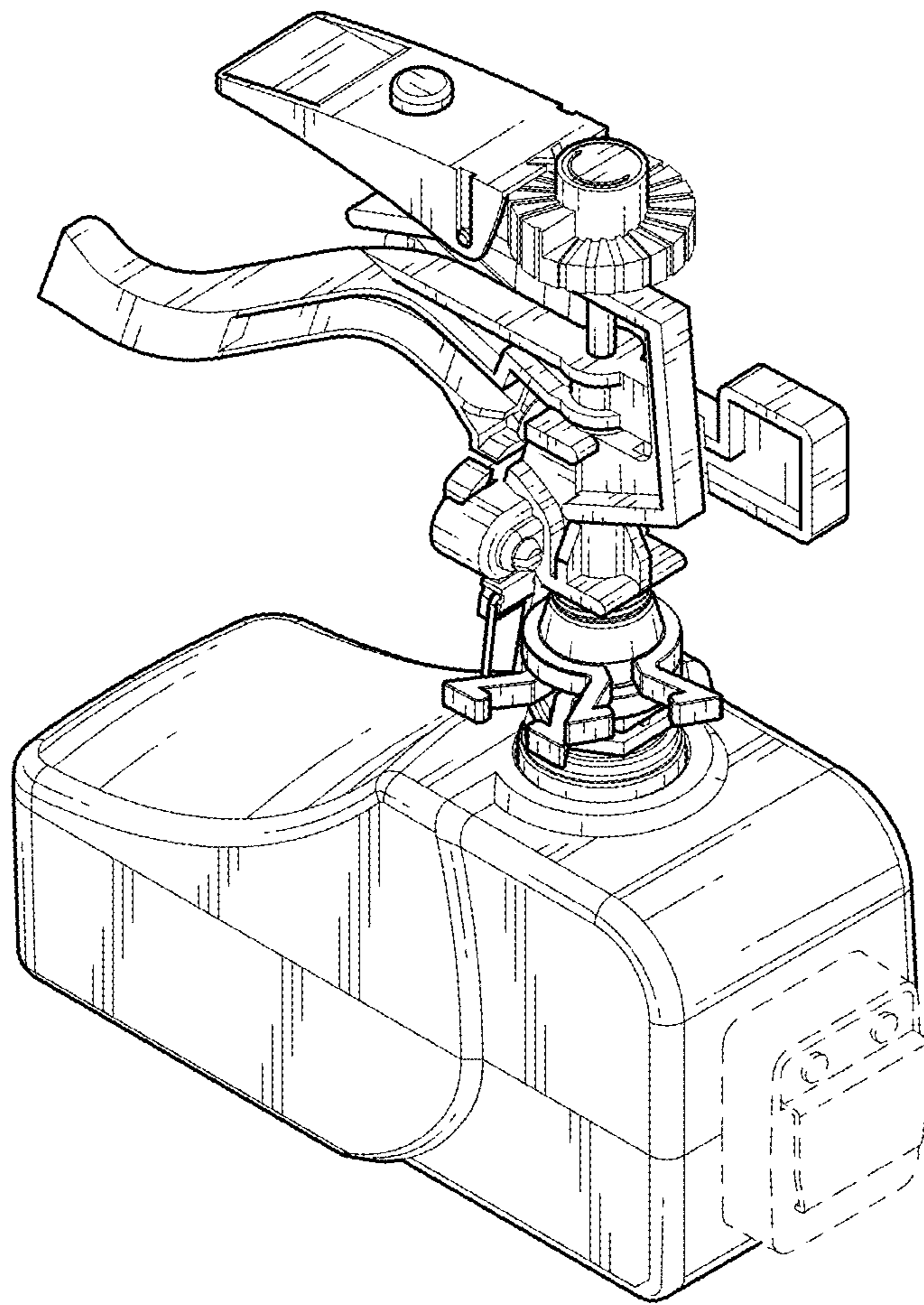


FIG. 9