



US00D985719S

(12) **United States Design Patent** (10) **Patent No.:** **US D985,719 S**
Ross (45) **Date of Patent:** **** May 9, 2023**

(54) **FLUID CARTRIDGE**

(56) **References Cited**

(71) Applicant: **Graco Minnesota Inc.**, Minneapolis, MN (US)

U.S. PATENT DOCUMENTS

(72) Inventor: **Daniel P. Ross**, Vadnais Heights, MN (US)

4,437,103 A *	3/1984	Ikeda	B41J 2/162 239/601
D305,360 S *	1/1990	Fechtner	D24/226
D309,015 S *	7/1990	Fechtner	D24/224
D349,558 S	8/1994	Albers	
D395,073 S	6/1998	Albertson	
D506,256 S	6/2005	Miyoshi et al.	
D589,799 S	4/2009	McEwan	

(73) Assignee: **Graco Minnesota Inc.**, Minneapolis, MN (US)

(Continued)

(**) Term: **15 Years**

OTHER PUBLICATIONS

(21) Appl. No.: **29/860,101**

Features of the Fusion ProConnect (PC) Cartridge, Jan. 20, 2020, , youtube.com, Dec. 22, 2022, URL: <https://www.youtube.com/watch?v=uTfs2KmUPBA> (Year: 2020).*

(22) Filed: **Nov. 16, 2022**

(Continued)

Related U.S. Application Data

Primary Examiner — Keith J Wilson

(63) Continuation of application No. 29/831,528, filed on Mar. 21, 2022, now Pat. No. Des. 972,077, which is a continuation of application No. 29/808,038, filed on Sep. 16, 2021, now Pat. No. Des. 956,925, which is a continuation of application No. 29/710,788, filed on Oct. 25, 2019, now Pat. No. Des. 933,160, which is a continuation-in-part of application No. 29/698,843, filed on Jul. 19, 2019, now Pat. No. Des. 904,563.

(74) *Attorney, Agent, or Firm* — Kinney & Lange, P.A.

(51) **LOC (14) Cl.** **23-01**

(57) **CLAIM**

(52) **U.S. Cl.**

The ornamental design for a fluid cartridge, as shown and described.

USPC **D23/213**

(58) **Field of Classification Search**

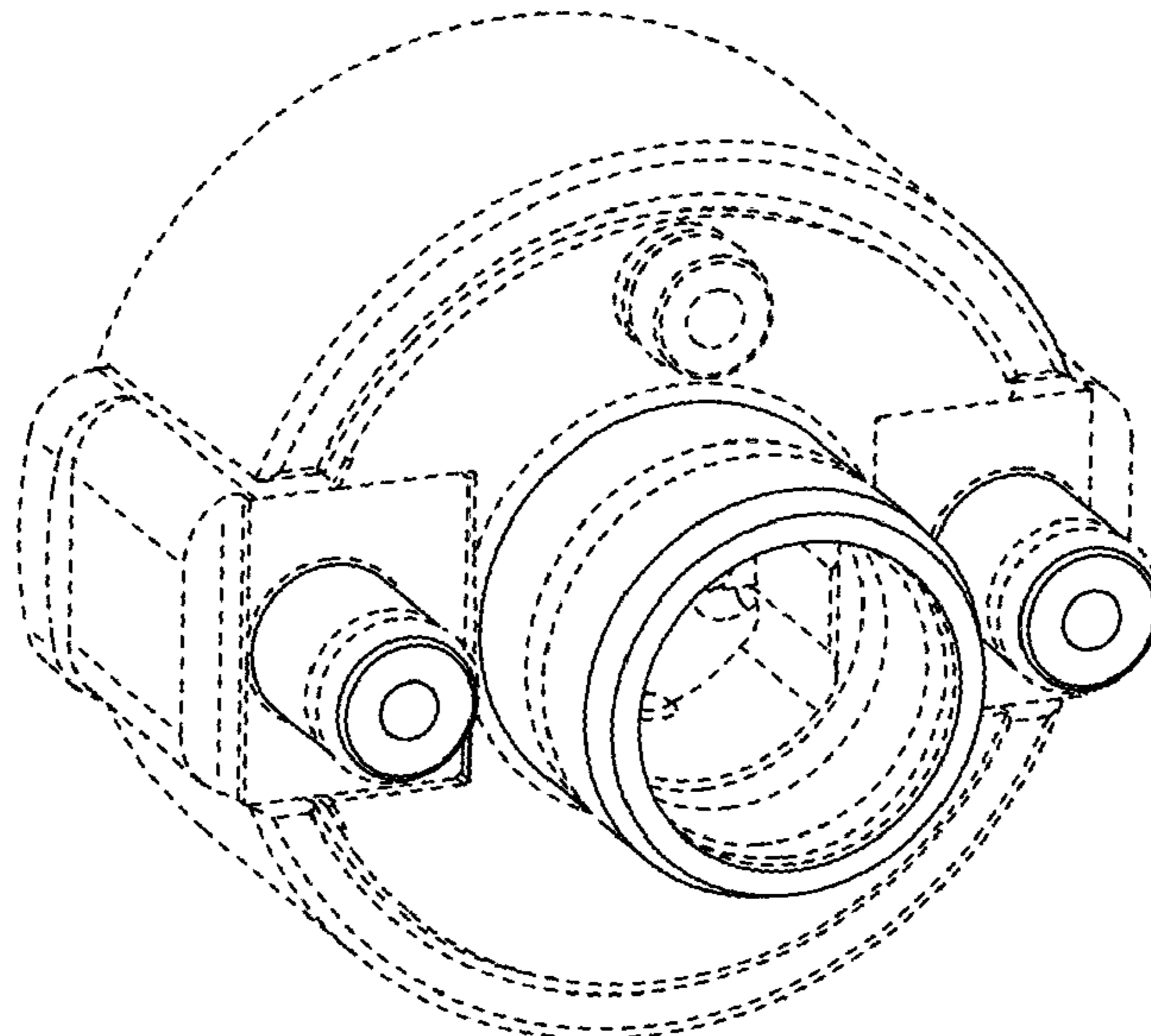
DESCRIPTION

USPC D23/207, 213, 214, 215, 223, 224, 226, D23/229, 230; D24/108, 224, 232
CPC A61H 9/0021; A61H 33/00; B05B 1/00; B05B 1/14; B05B 1/185; B05B 1/08; B05B 1/02; B05B 1/26; B05B 12/002; B05B 1/18; B05B 9/01

FIG. 1 is a perspective view of a consumable fluid cartridge; FIG. 2 is a rear elevational view of the consumable fluid cartridge; FIG. 3 is a front elevational view of the consumable fluid cartridge; FIG. 4 is a left side view of the consumable fluid cartridge; FIG. 5 is a right side view of the consumable fluid cartridge; FIG. 6 is a top plan view of the consumable fluid cartridge; and, FIG. 7 is a bottom plan view of the consumable fluid cartridge. The broken lines shown represent portions of a fluid cartridge and form no part of the claimed design.

See application file for complete search history.

1 Claim, 3 Drawing Sheets



(56)

References Cited

U.S. PATENT DOCUMENTS

D616,822 S 6/2010 Zayas
 D638,518 S * 5/2011 Herre D23/213
 D676,544 S * 2/2013 Blocher D24/108
 D693,427 S * 11/2013 Jones D23/213
 D706,135 S 6/2014 Hutchison et al.
 D733,455 S * 7/2015 Watson D6/542
 D734,868 S 7/2015 Gilboa
 D747,458 S 1/2016 Sonderegger et al.
 D747,459 S 1/2016 Sonderegger et al.
 D749,693 S * 2/2016 Evans D23/213
 D780,291 S 2/2017 Schrum et al.
 D786,420 S 5/2017 Schmitt
 9,839,580 B2 12/2017 Lev et al.
 D818,083 S 5/2018 Dishman
 9,963,279 B2 5/2018 Huber et al.
 D825,737 S 8/2018 Yokoyama
 D834,938 S 12/2018 Barnes et al.
 D839,421 S 1/2019 Baldauf et al.
 D842,105 S 3/2019 Willemstyn
 10,278,897 B2 5/2019 David et al.
 D856,512 S 8/2019 Cowart et al.
 D866,747 S * 11/2019 Tucker D24/108
 D874,611 S 2/2020 Ess et al.
 D881,342 S 4/2020 Chou
 D899,925 S 10/2020 Laible
 D904,563 S 12/2020 Ross
 D908,186 S 1/2021 Iyasu
 D908,204 S 1/2021 Casiello
 10,940,493 B2 3/2021 Levake et al.
 10,945,921 B2 3/2021 Denenburg
 D917,693 S 4/2021 Lev et al.
 D918,340 S 5/2021 Zheng
 11,007,545 B2 5/2021 Dawson et al.
 D921,152 S 6/2021 Blum
 D932,048 S 9/2021 Laible
 D934,384 S 10/2021 Masalin et al.
 D939,044 S 12/2021 Liqin
 2009/0229470 A1 9/2009 Dorfmueller
 2013/0155156 A1 * 6/2013 Harvey B41J 2/1752
 347/86
 2014/0158615 A1 6/2014 Senf et al.
 2014/0202944 A1 7/2014 Wes
 2017/0356582 A1 * 12/2017 Pappalardo F16L 37/0848
 2018/0178534 A1 6/2018 Nukui et al.
 2020/0408185 A1 12/2020 Edenhalm
 2021/0007928 A1 1/2021 Howe
 2021/0076895 A1 3/2021 He et al.
 2021/0138499 A1 5/2021 Hazel et al.
 2021/0148496 A1 5/2021 Vallo et al.

OTHER PUBLICATIONS

Delta Faucet RP46074 MultiChoice 13/14 Series Cartridge Assembly, May 16, 2011, amazon.ca, Apr. 27, 2022, URL: <https://www>.

amazon.ca/FAUCET-RP46074-MultiChoice-Cartridge-Assembly/dp/B001DU57R2/ (Year: 2011).
 Delta RP46074 Tub Shower Cartridge, 1, White, Aug. 5, 2008, amazon.com, Dec. 3, 2021, URL:<https://www.amazon.com/DELTA-RP46074-SHOWER-CARTRIDGE-White/dp/B001DU57R2> (Year:2008).
 D'light Online HD15 Liquid Votive Fuel Cells 15 Hour Disposable Liquid Disposable in Clear Plastic Fuel Cells, Oct. 15, 2015, Amazon.com, Jun. 11, 2021 <https://www.amazon.com/dp/B00IRHZPEY> (Year: 2015).
 Features of the Fusion ProConnect (PC) Cartridge, Jan. 16, 2020, youtube.com, Apr. 6, 2022, URL: <https://www.youtube.com/watch?v=uTfs2KmUPBA> (Year: 2020).
 First Examination Report for IN Application No. 326137-011, Dated Feb. 17, 2020, pp. 2.
 First Examination Report for IN Application No. 326141-001, Dated Feb. 18, 2020, pp. 2.
 Fusion ProConnect Animation Overview, Feb. 20, 2020, youtube.com, Apr. 6, 2022, URL: <https://www.youtube.com/watch?v=3vp8X0bW-XM> (Year: 2020).
 Graco Fusion AP Gun A Side Cartridge w/Stainless Side Seals, Jul. 17, 2015, Amazon.com, Jun. 11, 2021 <https://www.amazon.com/Graco-Fusion-Cartridge-Stainless-246349/dp/B008BVR4BS> (Year: 2015).
 Graco Fusion CS Spray Gun, Dec. 3, 2013, Youtube.com, Jun. 11, 2021 <https://www.youtube.com/watch?v=Y1ln23nKwfo> (Year: 2013).
 Graco Fusion PC ProConnect Gun Unboxing & Retrofit Kit, Mar. 31, 2020, youtube.com/ Dec. 3, 2021, URL:<https://www.youtube.com/watch?v=wSeFcbuqTaA&t=1s> (Year:2020).
 Honeywell Home 7581P100L Combo Organic Vapor and P100 Particulate Filter Cartridge, Apr. 16, 2016, amazon.ca, Apr. 6, 2022, URL: <https://www.amazon.ca/Honeywell-7581P100L-Organic-Particulate-Cartridge/dp/BOOCOTZIJW/> (Year: 2022).
<https://christianfab.com/graco-fusion-proconnect-replacement-cartridge-3-pack-pc/> (Year:2019).
 Kohler 77688-NA Aquifer Replacement Filter Cartridge, Mar. 28, 2018, amazon.ca, Apr. 28, 2022, URL; <https://www.amazon.ca/KOHLER-77688-NA-Aquifer-Replacement-Cartridge/dp/B074C9D8T9/> (Year: 2018).
 MIARAS Collections Bypass Compatible with Water Filter ULTRAWF, Feb. 2, 2017, amazon.ca, Apr. 28, 2022, URL: <https://www.amazon.ca/ULTRAWF-Filter-Compatible-MIARA%60s-Collection/dp/B01NBXCOIF/> (Year: 2017).
 North by Honeywell N75001 L Gas and Vapor Cartridges, Mar. 9, 2018, amazon.ca, Apr. 6, 2022, URL: <https://www.amazon.ca/North-Honeywell-N75001L-Cartridges-Cartridge/dp/BOOZ2R102C/> (Year: 2018).
 Sloan WES-150 Waterfree Urinal Cartridge, May 27, 2016, faucetdepot.com, Jun. 11, 2021 https://www.faucetdepot.com/faucetdepot/ProductDetail.asp?Product=89957&AffiliateID=GoogleDirectFeed&gclid=EAIalQobChMII4KHkMaQ8QIVkuazCh1JDwsNEAkYASABEgJffvD_BwE (Year: 2016).

* cited by examiner

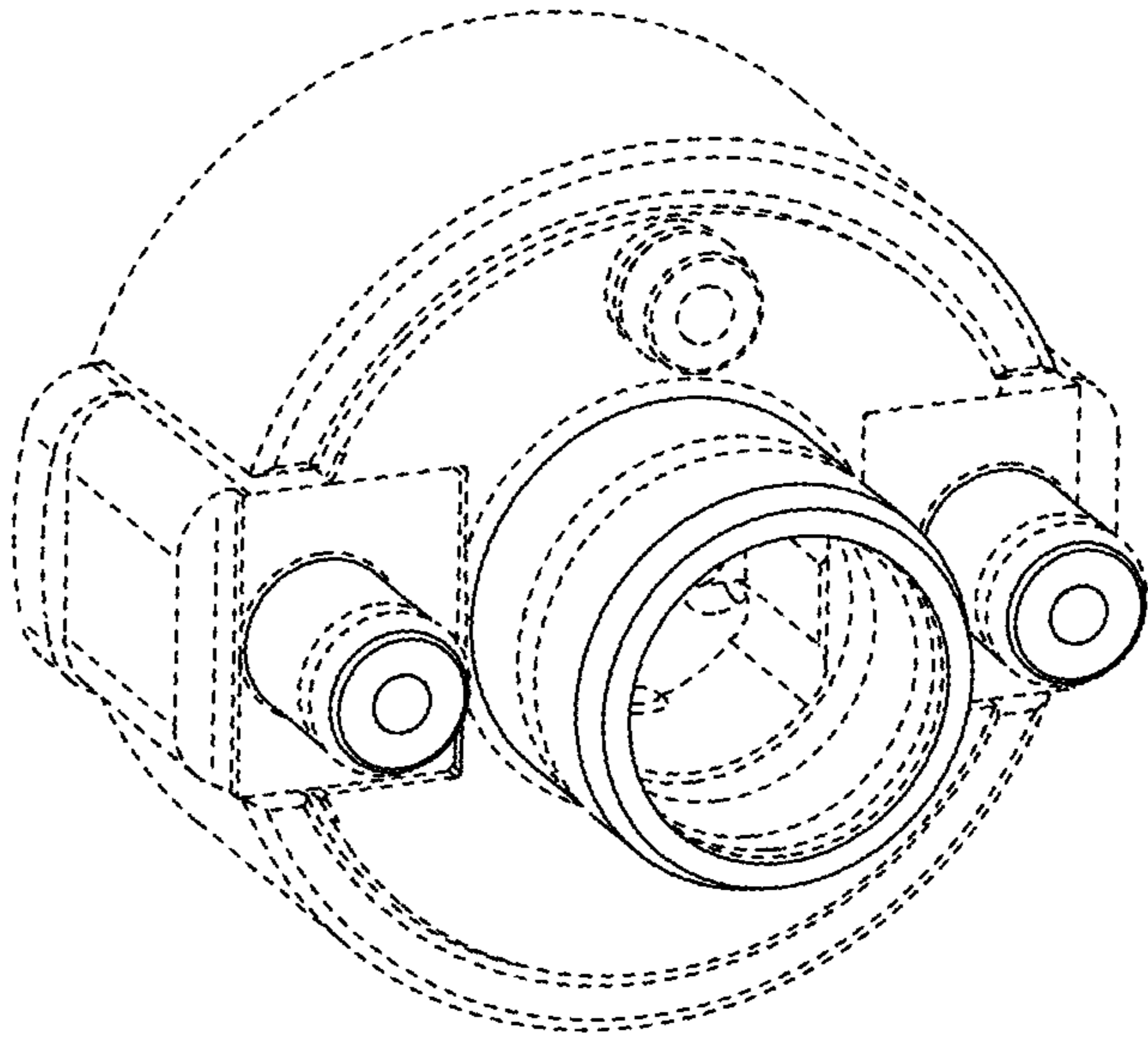


Fig. 1

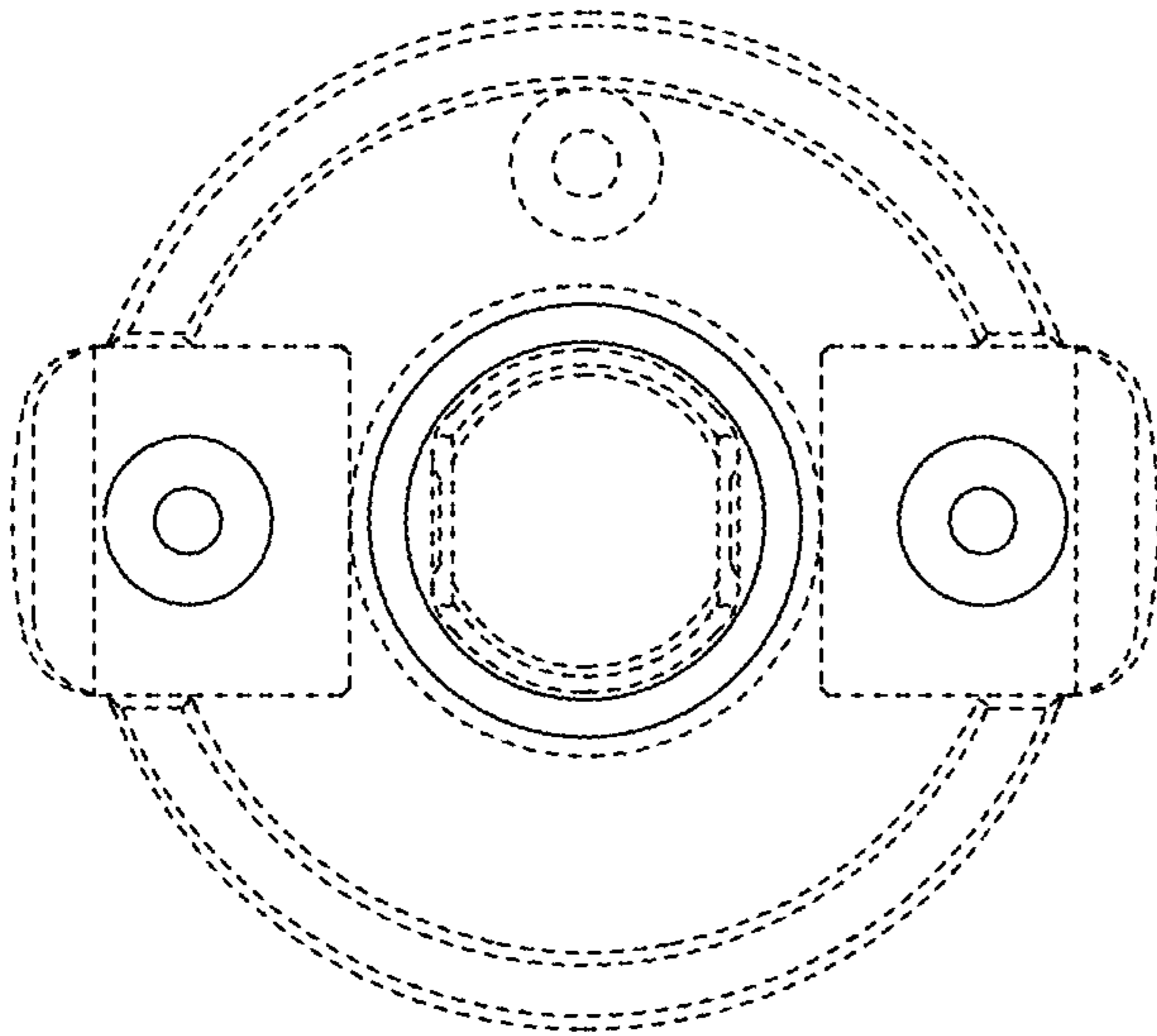


Fig. 2

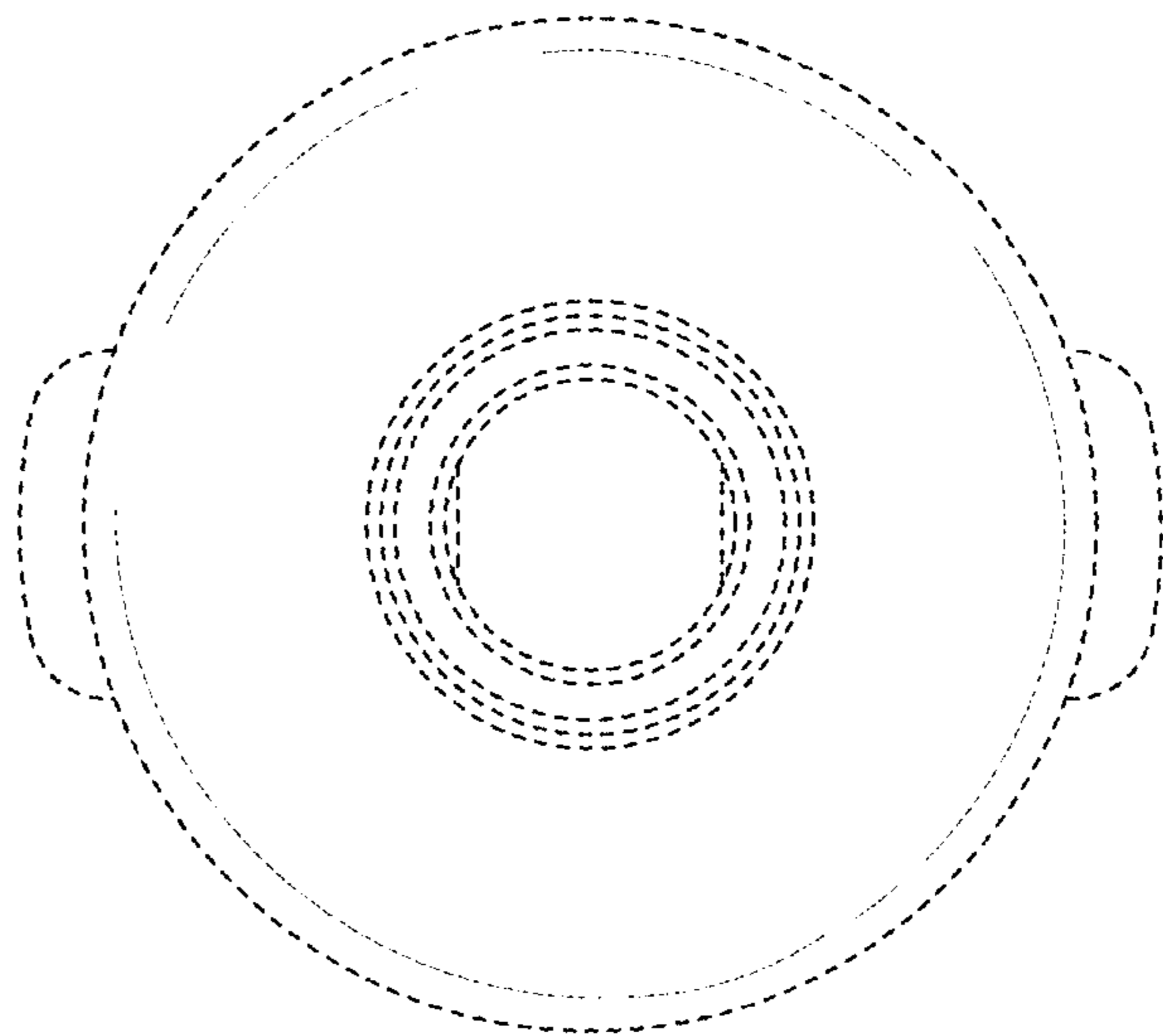


Fig. 3

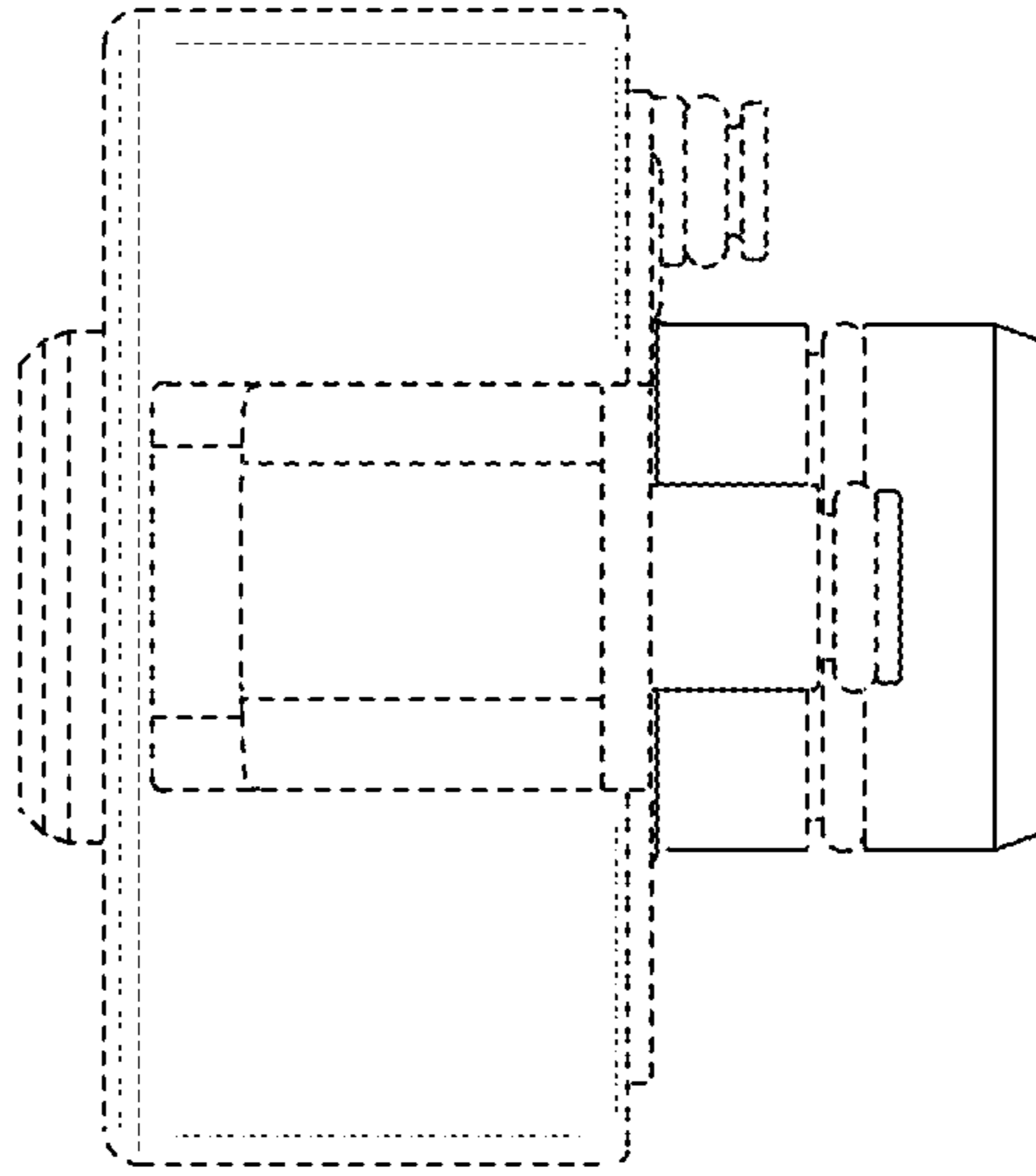


Fig. 4

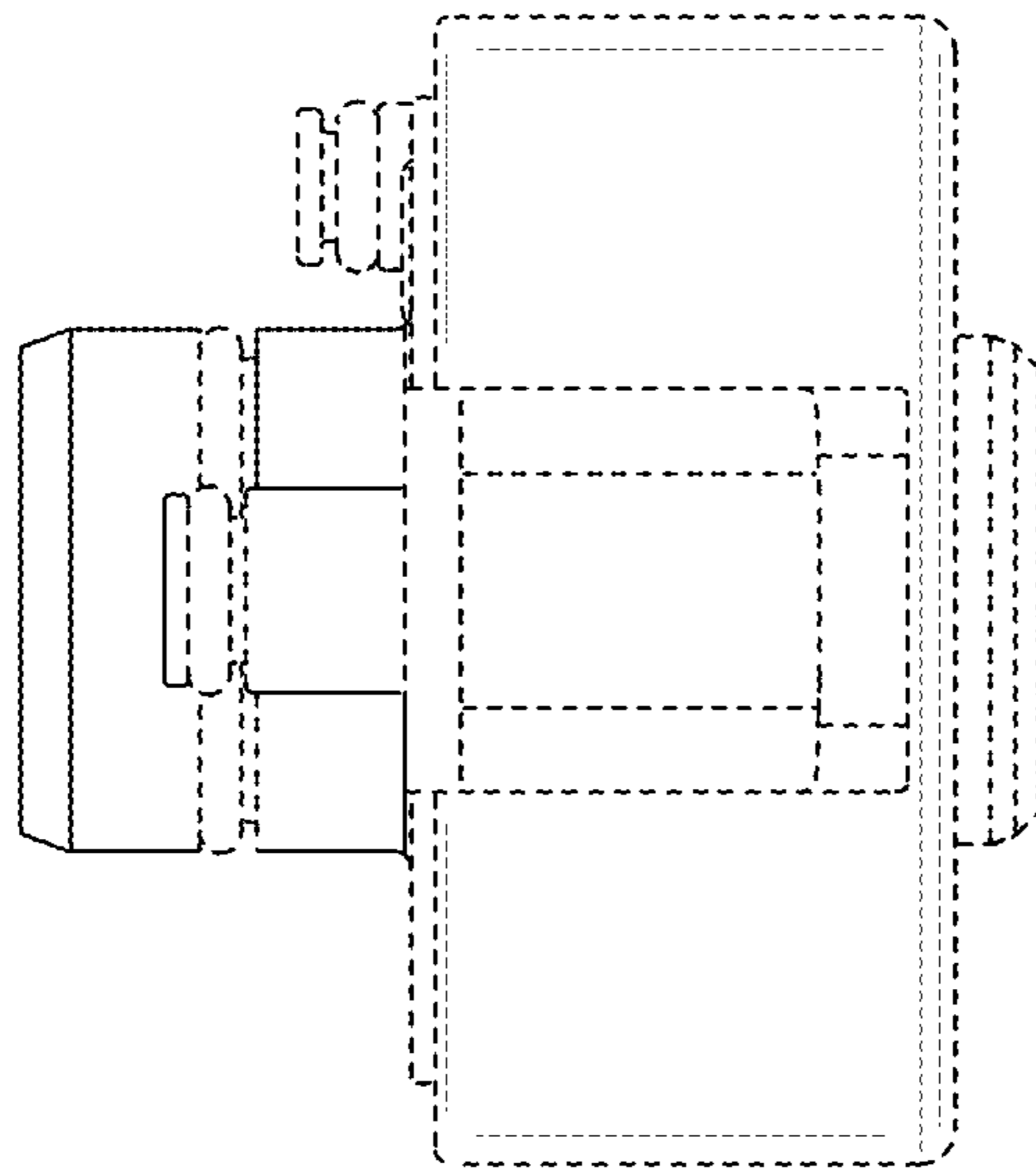


Fig. 5

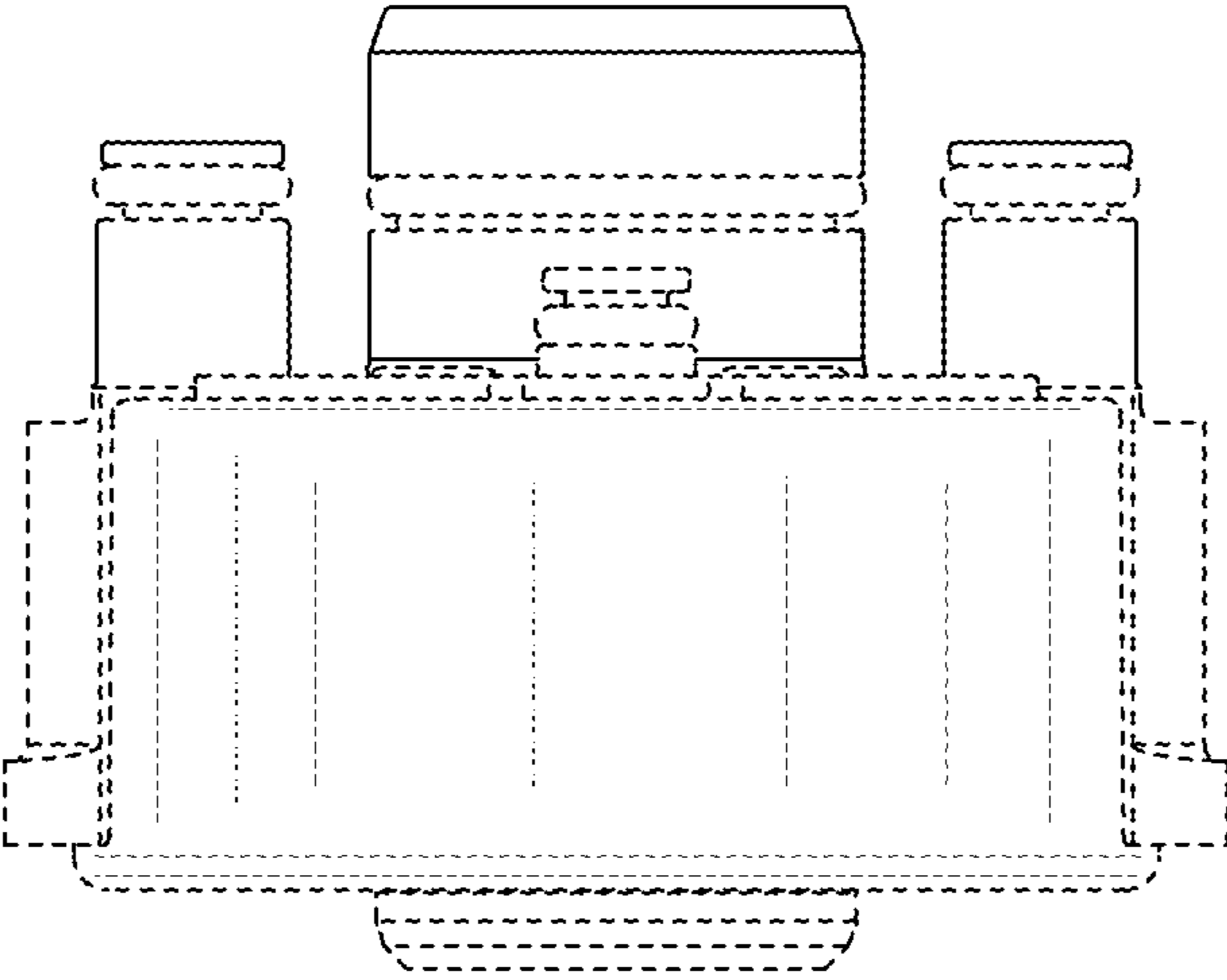


Fig. 6

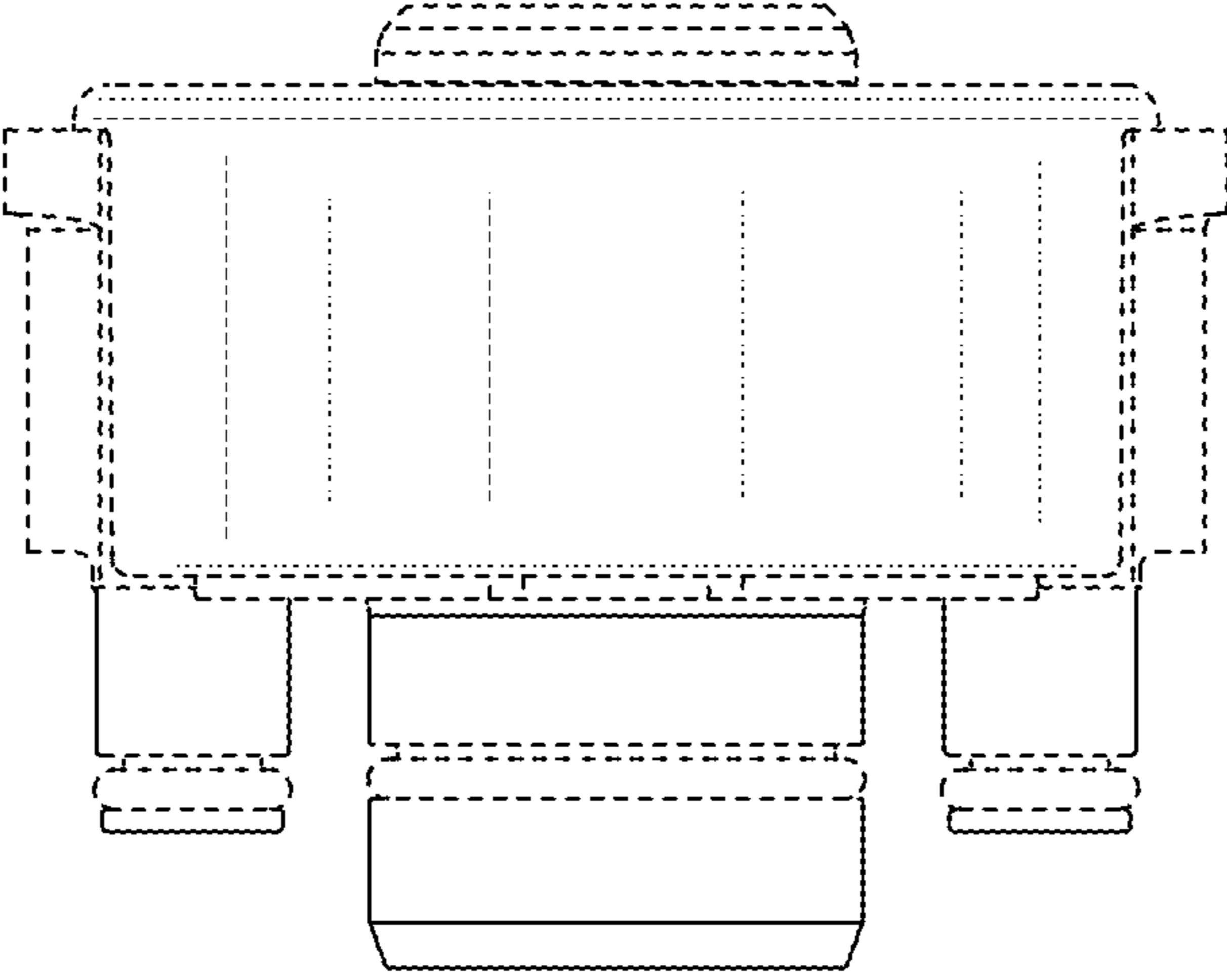


Fig. 7