



US00D985718S

(12) **United States Design Patent** (10) **Patent No.:** **US D985,718 S**  
**Stech et al.** (45) **Date of Patent:** **\*\* May 9, 2023**

(54) **ELECTROSTATIC SPRAY PROBE**

FOREIGN PATENT DOCUMENTS

(71) Applicant: **Graco Minnesota Inc.**, Minneapolis, MN (US)

CN 3386125 8/2004  
CN 303427785 S 11/2015

(Continued)

(72) Inventors: **Amelia J. Stech**, St. Paul, MN (US);  
**Elisa J. McCline**, Elk River, MN (US);  
**Mark E. Ulrich**, Oak Grove, MN (US);  
**Mark C. Richter**, River Falls, WI (US)

OTHER PUBLICATIONS

(73) Assignee: **Graco Minnesota Inc.**, Minneapolis, MN (US)

Pagow 10pcs Multimeter Test Hook Clip, Electrical Testing Colorful Test Grabber Probe, May 13, 2020, amazon.ca, Mar. 23, 2022, URL: <https://www.amazon.com/PAGOW-Multimeter-Electrical-Electronic-Components/dp/B088LLCRBP/> (Year: 2020).\*

(\*\*) Term: **15 Years**

(Continued)

(21) Appl. No.: **29/840,873**

*Primary Examiner* — Keith J Wilson

(22) Filed: **Jun. 1, 2022**

(74) *Attorney, Agent, or Firm* — Kinney & Lange, P. A.

**Related U.S. Application Data**

(60) Division of application No. 29/811,033, filed on Oct. 11, 2021, now Pat. No. Des. 956,177, which is a continuation of application No. 29/693,195, filed on May 31, 2019, now Pat. No. Des. 934,383.

(57) **CLAIM**

The ornamental design for an electrostatic spray probe, as shown and described.

(51) **LOC (14) Cl.** ..... **23-01**

(52) **U.S. Cl.**  
USPC ..... **D23/213**

(58) **Field of Classification Search**  
USPC ..... D23/213, 214, 215, 223, 221, 224–230  
CPC ..... A62C 31/28; A62C 33/04; B05B 1/00;  
B05B 1/14; B05B 1/185; B05B 1/08;  
B05B 1/02; B05B 1/26; B05B 12/002;  
B05B 1/18; B05B 9/01  
See application file for complete search history.

**DESCRIPTION**

FIG. 1 is a perspective view of an electrostatic spray probe; FIG. 2 is a front elevational view of the electrostatic spray probe; FIG. 3 is a rear elevational view of the electrostatic spray probe; FIG. 4 is a right side view of the electrostatic spray probe; FIG. 5 is a left side view of the electrostatic spray probe; FIG. 6 is a top plan view of the electrostatic spray probe; and, FIG. 7 is a bottom plan view of the electrostatic spray probe. The broken lines are shown for environmental purposes and form no part of the claimed design.

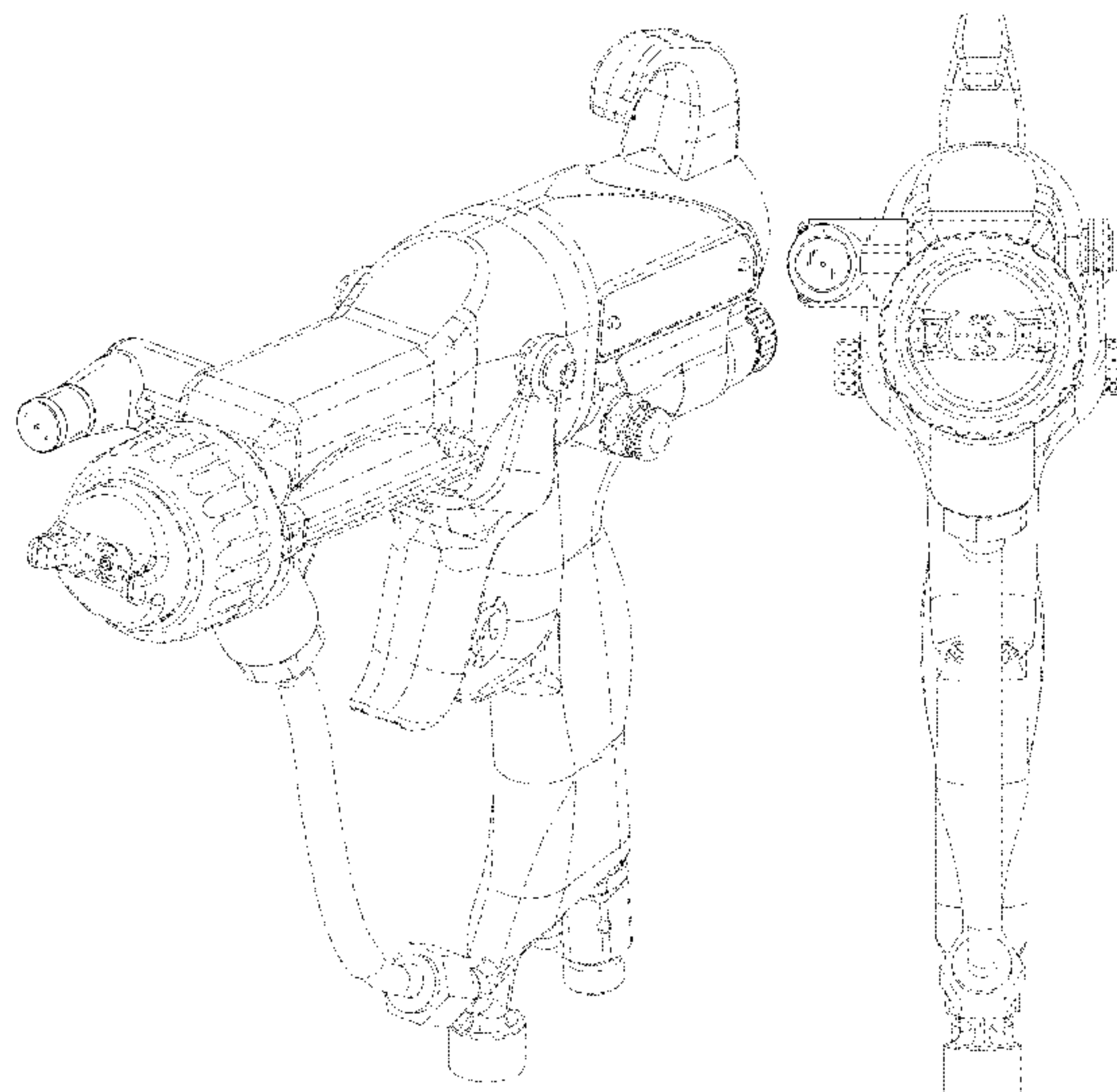
(56) **References Cited**

U.S. PATENT DOCUMENTS

D313,064 S 12/1990 Lind et al.  
D350,387 S 9/1994 Lind et al.  
D373,813 S 9/1996 Guo  
D373,814 S 9/1996 Wang

(Continued)

**1 Claim, 7 Drawing Sheets**





(56)

References Cited

U.S. PATENT DOCUMENTS

D405,503 S 2/1999 Endo  
 D407,140 S 3/1999 Heren  
 6,047,861 A 4/2000 Vidal et al.  
 D441,833 S 5/2001 Haas  
 6,311,871 B1 11/2001 Binder  
 D457,599 S 5/2002 Karwoski et al.  
 D459,786 S 7/2002 Sweeton  
 6,419,545 B1 7/2002 Motosko  
 D463,509 S 9/2002 Huang  
 D464,707 S 10/2002 Wang  
 D470,220 S 2/2003 Nien  
 D475,435 S 6/2003 Chen  
 D495,400 S 8/2004 Hopper  
 D499,167 S 11/2004 Sweeton  
 D501,537 S 2/2005 Zeng  
 D501,538 S 2/2005 Zeng  
 D517,645 S 3/2006 Chang  
 D522,088 S 5/2006 Roman  
 7,077,339 B2 7/2006 Leach  
 D532,077 S 11/2006 Chen  
 D537,503 S 2/2007 Huang  
 D545,943 S 7/2007 Rodgers et al.  
 D575,374 S 8/2008 Huang  
 D578,603 S 10/2008 Khaitov  
 D588,231 S 3/2009 Pellin et al.  
 7,588,726 B1 9/2009 Mouradian et al.  
 D607,086 S 12/2009 Kosaka  
 D608,858 S 1/2010 Baltz et al.  
 8,136,698 B1 3/2012 Beaulieu  
 D666,692 S 9/2012 Beaulieu  
 D672,012 S 12/2012 Brose et al.  
 D674,849 S 1/2013 Wilson  
 D704,300 S 5/2014 Li et al.  
 D725,743 S 3/2015 Richter et al.  
 D726,872 S 4/2015 Thurgood et al.  
 D727,466 S 4/2015 Richter et al.  
 D749,696 S 2/2016 Thurgood et al.  
 D757,214 S 5/2016 Richter et al.  
 D757,216 S 5/2016 Gehrung  
 9,433,953 B2 9/2016 Ghesla et al.  
 D770,593 S 11/2016 Gehrung et al.  
 D773,609 S \* 12/2016 Morita ..... D23/213  
 D778,405 S 2/2017 Wang  
 D792,944 S 7/2017 Cheng  
 D792,945 S 7/2017 Cheng  
 D794,755 S 8/2017 Wang  
 D799,003 S 10/2017 Wojan  
 D799,005 S 10/2017 Wojan  
 D800,255 S 10/2017 Chen  
 D800,868 S 10/2017 Crenshaw  
 D801,477 S 10/2017 Mazur  
 D803,353 S 11/2017 Negri et al.  
 D809,096 S 1/2018 Wang  
 D812,717 S 3/2018 Crenshaw  
 D812,718 S 3/2018 Kosaka  
 D820,952 S 6/2018 Chen  
 D820,953 S 6/2018 Chen  
 D821,544 S 6/2018 Urry  
 D821,545 S 6/2018 Gehrung  
 D824,492 S 7/2018 Chen  
 D830,506 S 10/2018 Gehrung et al.  
 D831,792 S 10/2018 Gehrung et al.  
 D835,235 S 12/2018 Gehrung et al.  
 D838,340 S 1/2019 Svensesen  
 D838,809 S 1/2019 Sean  
 D854,123 S 7/2019 Becker et al.  
 D858,698 S 9/2019 Arino et al.  
 D861,130 S 9/2019 Carls  
 D888,196 S \* 6/2020 Okajima ..... D23/213  
 10,835,911 B2 11/2020 Gehrung et al.  
 10,843,211 B2 11/2020 Becker et al.  
 D929,539 S \* 8/2021 Stech ..... D23/226  
 D937,385 S \* 11/2021 Takeshita ..... D23/214  
 D943,061 S \* 2/2022 McIntyre, II ..... F02C 7/222  
 D23/214

2002/0178789 A1 12/2002 Sunshine et al.  
 2012/0024042 A1 2/2012 Vass et al.  
 2015/0017327 A1 1/2015 Myers et al.  
 2017/0131253 A1 5/2017 Gutierrez  
 2017/0231212 A1 8/2017 Crenshaw  
 2017/0248514 A1 8/2017 Pavey et al.  
 2019/0299233 A1 10/2019 Johnston et al.  
 2022/0193703 A1 \* 6/2022 Stech ..... B05B 5/032

FOREIGN PATENT DOCUMENTS

KR 300839627 S 2/2016  
 WO 0025108 A1 5/2000

OTHER PUBLICATIONS

Ziboo ZB-T12 Piercing Probe Set Power Probe, Jul. 2, 2020, amazon.ca, Mar. 23, 2022, URL: <https://www.amazon.com/ZIBOO-Piercing-Automotive-Puncture-Scoping/dp/B08C9WBKV6/> (Year: 2020).\*

Dynastus 33 oz Siphon Feed Spray Gun—2.5mm Nozzle, May 1, 2019, Amazon.com May 19, 2021. URL: <https://www.amazon.com/Siphon-Feed-Spray-Gun-Oil-Based-dp/B07FTPY4RD/> (Year: 2019).

Join Ware Pneumatic Tool Automatic Air Paint Spray Gun With 1.2 mm Nozzle, Sep. 18, 2018. Amazon.com. Jun. 14, 2021. URL: <https://www.amazon.com/Join-Ware-Pneumatic-Automatic-Assembly/dp/B07HG3X8G2> (Year: 2019).

Meiji A-100 Automatic Pneumatic High Atomization Spray Paint Spraying Gun, Jul. 29, 2016, Amazon.com Jun. 14, 2021. URL: <https://amazon.com/Meiji-Automatic-Pneumatic-Atomization-Spraying/dp/B06XK8MJ6X> (Year: 2020).

Pagow 10pcs Multimeter Test Hook Clip, Electrical Testing Colorful Test Grabber Probe, May 13, 2020, amazon.ca, Mar. 23, 2022, URL: <https://www.annazon.com/PAGOW-Multimeter-Electrical-Electronic-Components/dp/B088LLCRBP/> (Year: 2020).

Professional HVLP Siphon Feed Spray Gun, Oct. 6, 2020, Amazon.com, May 19, 2021. URL: <https://www.amazon.com/dp/B08KS2MB8K> (Year: 2020).

Second Japanese Office Action for JP Application No. 2019-026340, dated Jul. 15, 2020, pp. 4.

Ziboo ZB-T12 Piercing Probe Set Power Probe, Jul. 2, 2020, amazon.ca, Mar. 23, 2022, URL: <https://www.annazon.com/ZIBOO-Piercing-Automotive-Puncture-Scoping/dp/B08C9WBKV6/> (Year: 2020).

[https://www.amazon.com/Graco-287926-Assisted-Paint-Spray/dp/B01J560BW/ref=sr\\_1\\_151?dchild=1&keywords=graco+paint+spray+gun&qid=1586801533&sr=8-151](https://www.amazon.com/Graco-287926-Assisted-Paint-Spray/dp/B01J560BW/ref=sr_1_151?dchild=1&keywords=graco+paint+spray+gun&qid=1586801533&sr=8-151) (year:2020), 1.

First Japanese Office Action for JP Application No. 2019-026340, dated Mar. 18, 2020, pp. 3.

First Japanese Office Action for JP Application No. 2019-026341, dated Mar. 18, 2020, pp. 3.

First Japanese Office Action for JP Application No. 2019-026345, dated Mar. 18, 2020, pp. 3.

First ROC (Taiwan) Office Action for TW Application No. 108307240, dated May 14, 2020, pp. 3.

Second Japanese Office Action for JP Application No. 2019-026338, dated Jul. 15, 2020, pp. 4.

ROC (Taiwan) Design Patent Application Search Report for TW Application No. 109304510, dated Mar. 25, 2021, pp. 5.

Second ROC (Taiwan) Patent Application No. 108307240, Dated Aug. 21, 2020, pp. 6.

ROC (Taiwan) Design Patent Application Search Report for TW Application No. 109304511, dated Mar. 25, 2021, pp. 5.

ROC (Taiwan) Design Patent Application Search Report for TW Application No. 109304517, dated Mar. 25, 2021, pp. 5.

First Brazilian Office Action for BR Application No. BR302019005850-2, dated Mar. 24, 2020, pp. 3.

First Examination Report for IN Application No. 324152-001, dated Dec. 16, 2019, pp. 2.

First Examination Report for IN Application No. 324153-001, dated Dec. 18, 2019, pp. 2.

First Examination Report for IN Application No. 324154-001, dated Dec. 19, 2019, pp. 2.

(56)

**References Cited**

OTHER PUBLICATIONS

First Examination Report for IN Application No. 324155-001, dated Dec. 27, 2019, pp. 2.

First Japanese Office Action for JP Application No. 2019-026338, dated Mar. 18, 2020, pp. 3.

\* cited by examiner

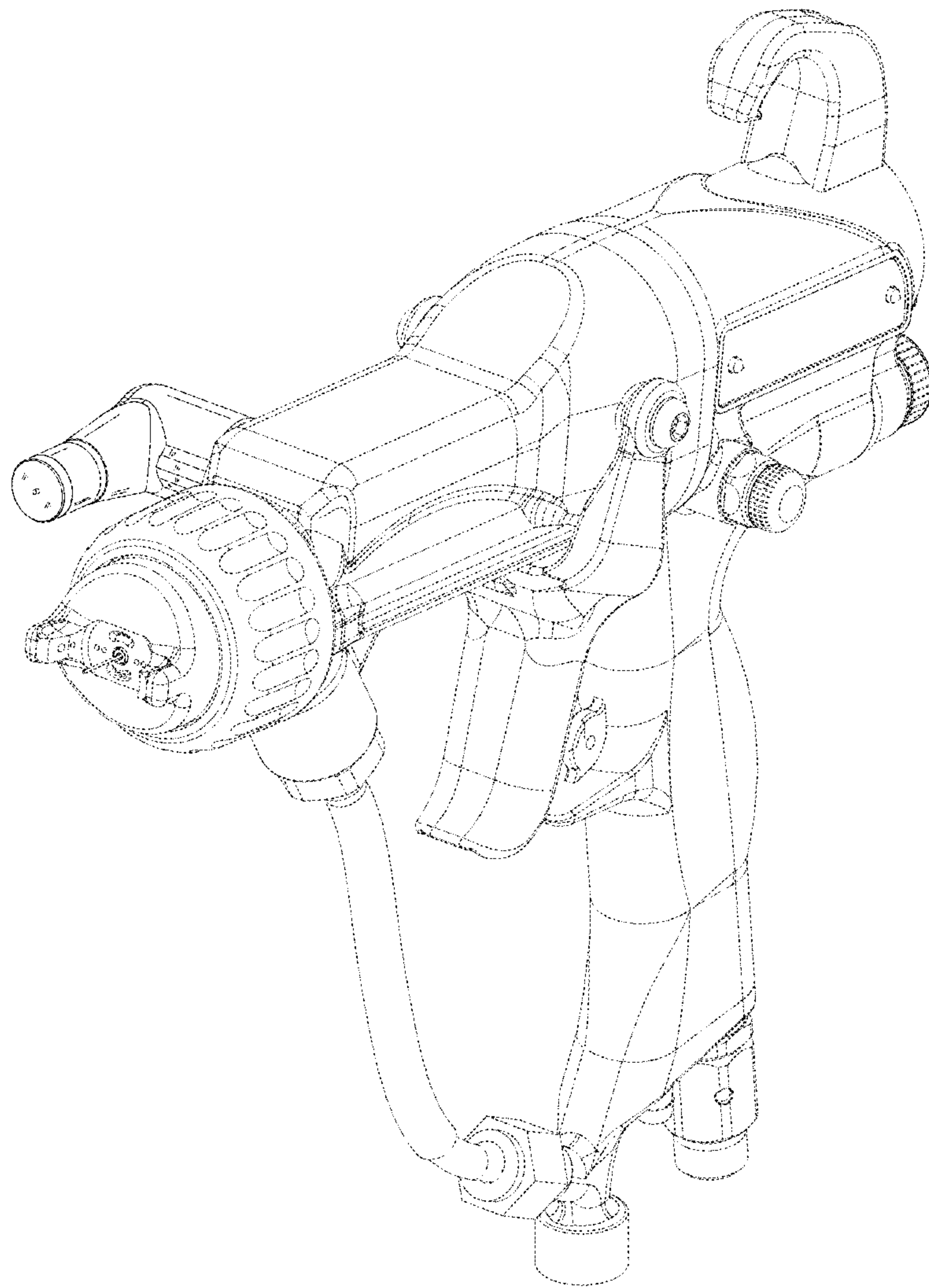


Fig. 1

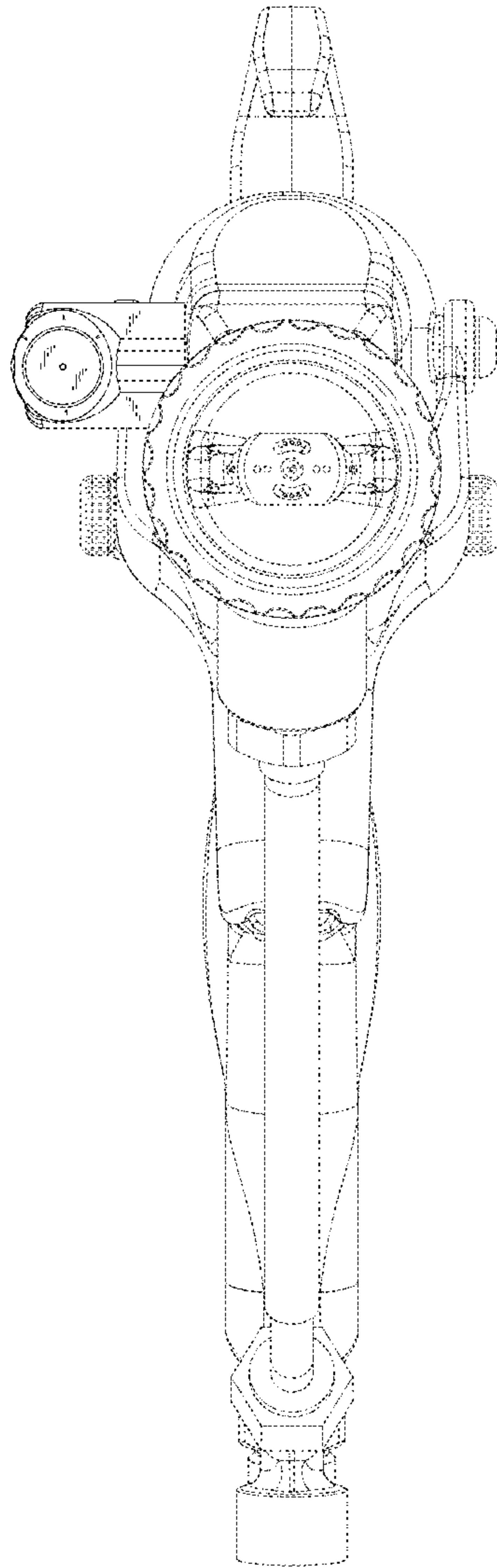


Fig. 2



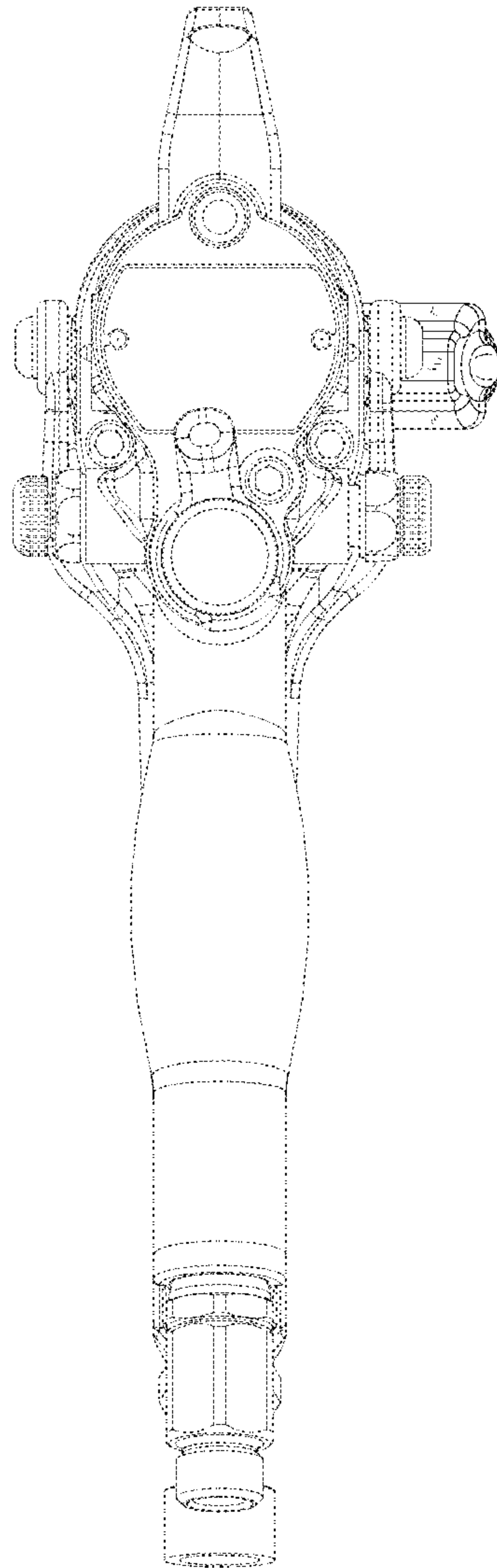


Fig. 3

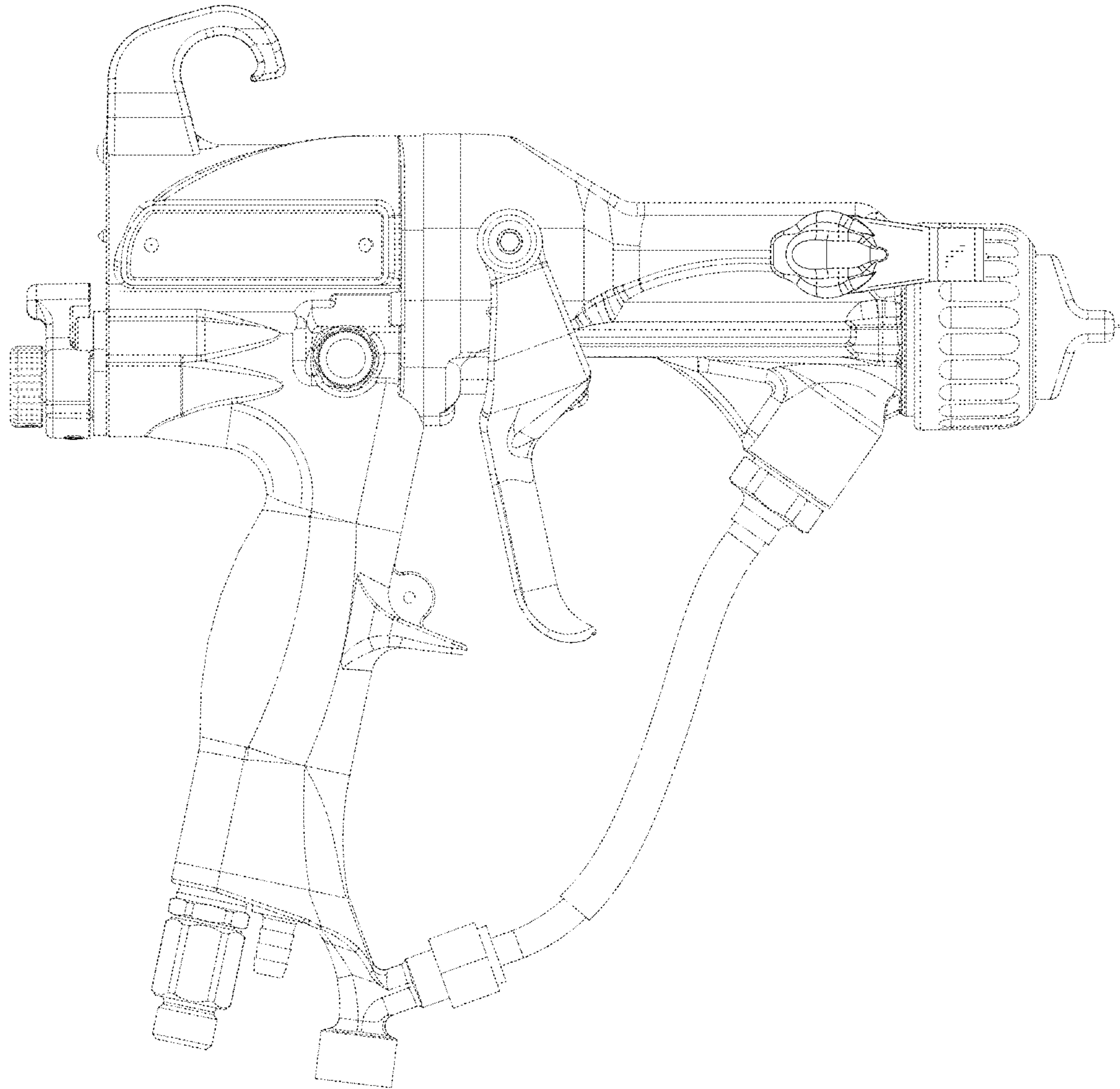


Fig. 4

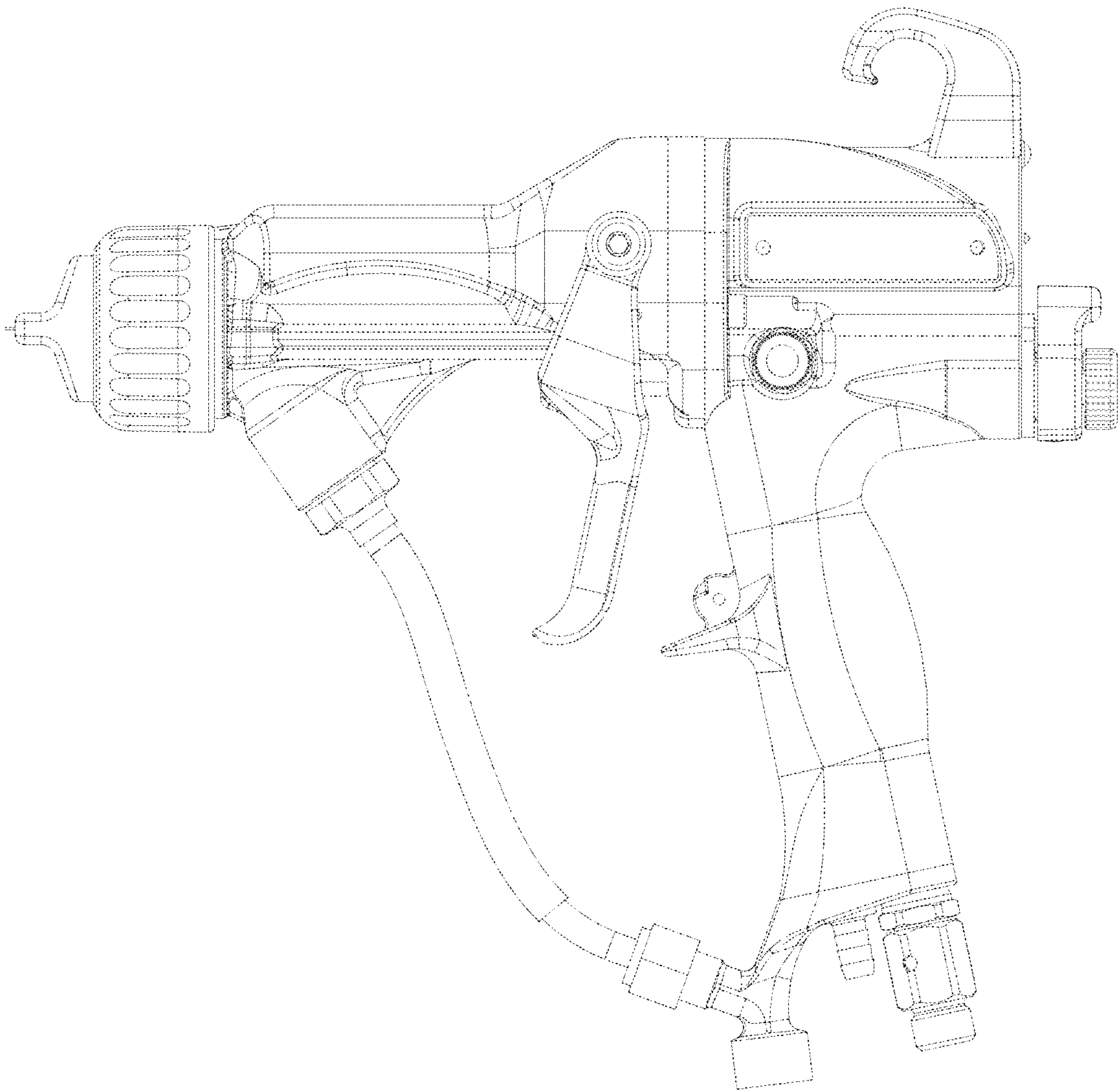


Fig. 5



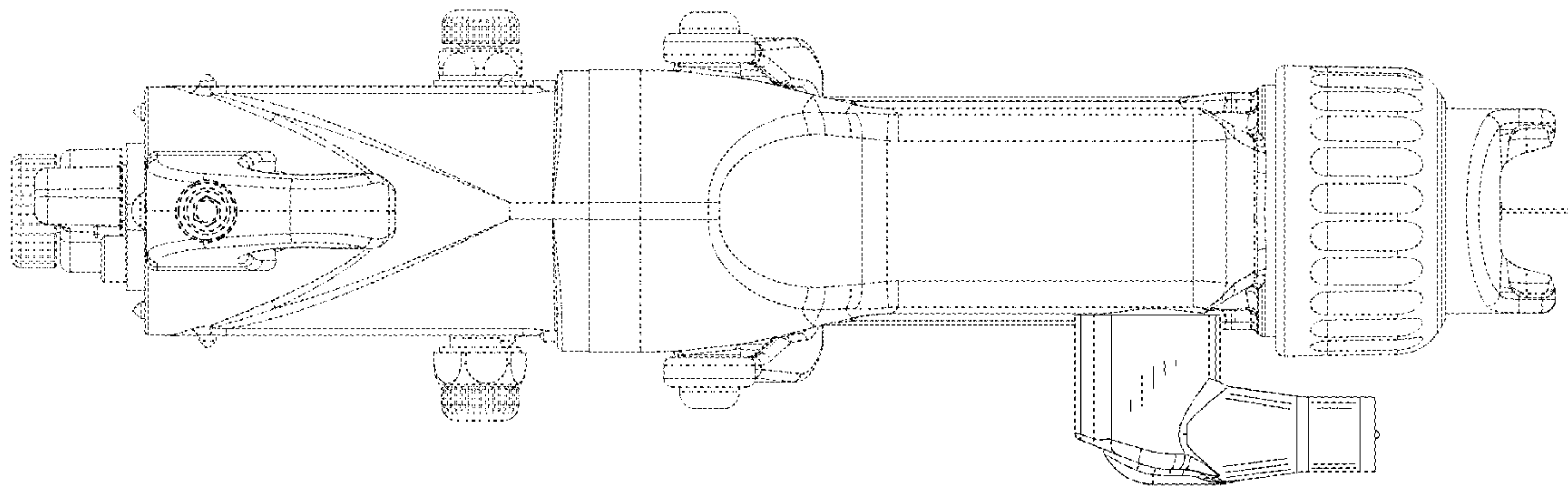


Fig. 6

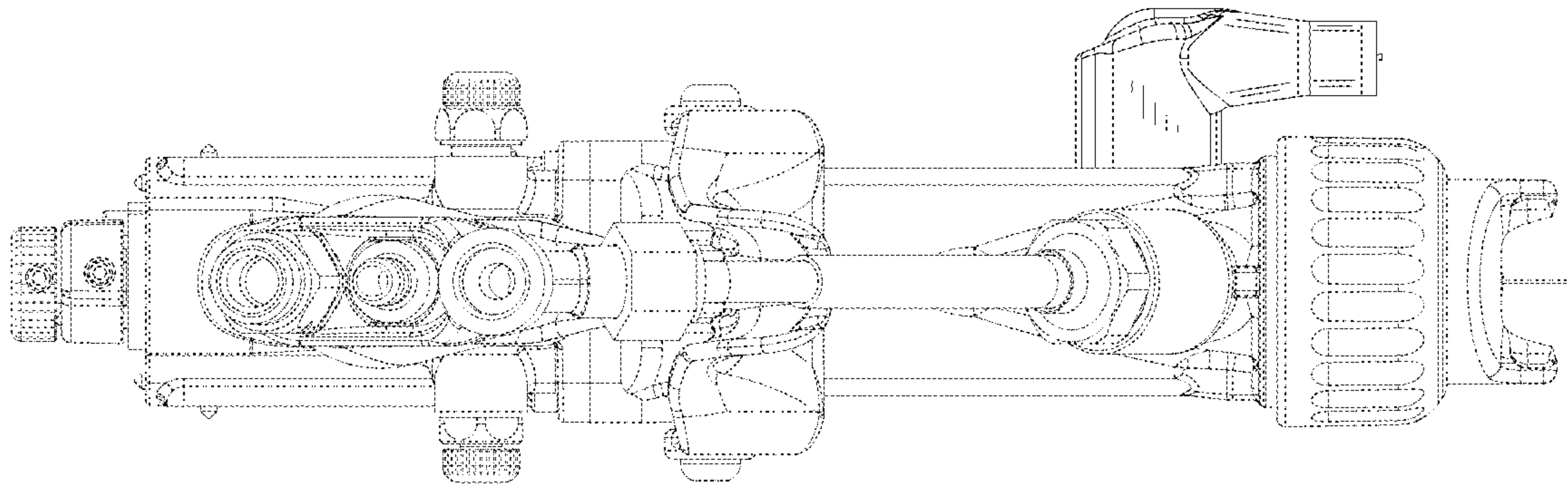


Fig. 7