



US00D985717S

(12) **United States Design Patent** (10) **Patent No.:** **US D985,717 S**  
**Lu** (45) **Date of Patent:** **\*\* May 9, 2023**

(54) **WATER FILTER**  
(71) Applicant: **SHENZHEN YU TIAN QI TECHNOLOGY CO., LTD**, Shenzhen (CN)  
(72) Inventor: **Qiang Lu**, Zhejiang (CN)  
(73) Assignee: **SHENZHEN YU TIAN QI TECHNOLOGY CO., LTD**, Shenzhen (CN)  
(\*\*) Term: **15 Years**  
(21) Appl. No.: **29/858,907**  
(22) Filed: **Nov. 4, 2022**  
(51) **LOC (14) Cl.** ..... **23-01**  
(52) **U.S. Cl.**  
USPC ..... **D23/209**  
(58) **Field of Classification Search**  
USPC ..... D23/209, 235, 341, 358, 363–365;  
D15/5  
CPC .... B01D 46/0002; B01D 46/10; F02M 35/04;  
F02M 35/10; F02M 35/024  
See application file for complete search history.

D794,750 S \* 8/2017 Zou ..... D23/209  
D795,995 S \* 8/2017 Zou ..... D23/209  
D795,997 S \* 8/2017 Zou ..... D23/209  
D798,997 S \* 10/2017 Zou ..... D23/209  
D807,988 S \* 1/2018 An ..... D23/209  
D813,357 S \* 3/2018 Bryant ..... D23/209  
D831,786 S \* 10/2018 Zou ..... D23/209  
D831,788 S \* 10/2018 Zou ..... D23/209  
10,099,162 B2 \* 10/2018 Prince ..... C02F 1/003  
10,188,972 B2 1/2019 You et al.  
D845,433 S \* 4/2019 Zou ..... D23/209  
D845,434 S \* 4/2019 Zou ..... D23/209  
D856,473 S \* 8/2019 Zou ..... D23/209  
D856,474 S \* 8/2019 Zou ..... D23/209  
D857,840 S \* 8/2019 Lu ..... D23/209  
D857,841 S \* 8/2019 Lu ..... D23/209  
D858,691 S \* 9/2019 Zou ..... D23/209  
D858,692 S \* 9/2019 Zou ..... D23/209  
D858,693 S \* 9/2019 Zou ..... D23/209  
D858,694 S \* 9/2019 Zou ..... D23/209

(Continued)

*Primary Examiner* — Keith J Wilson  
(74) *Attorney, Agent, or Firm* — Procopio, Cory, Hargreaves & Savitch LLP

(57) **CLAIM**

The ornamental design for a water filter, as shown and described.

**DESCRIPTION**

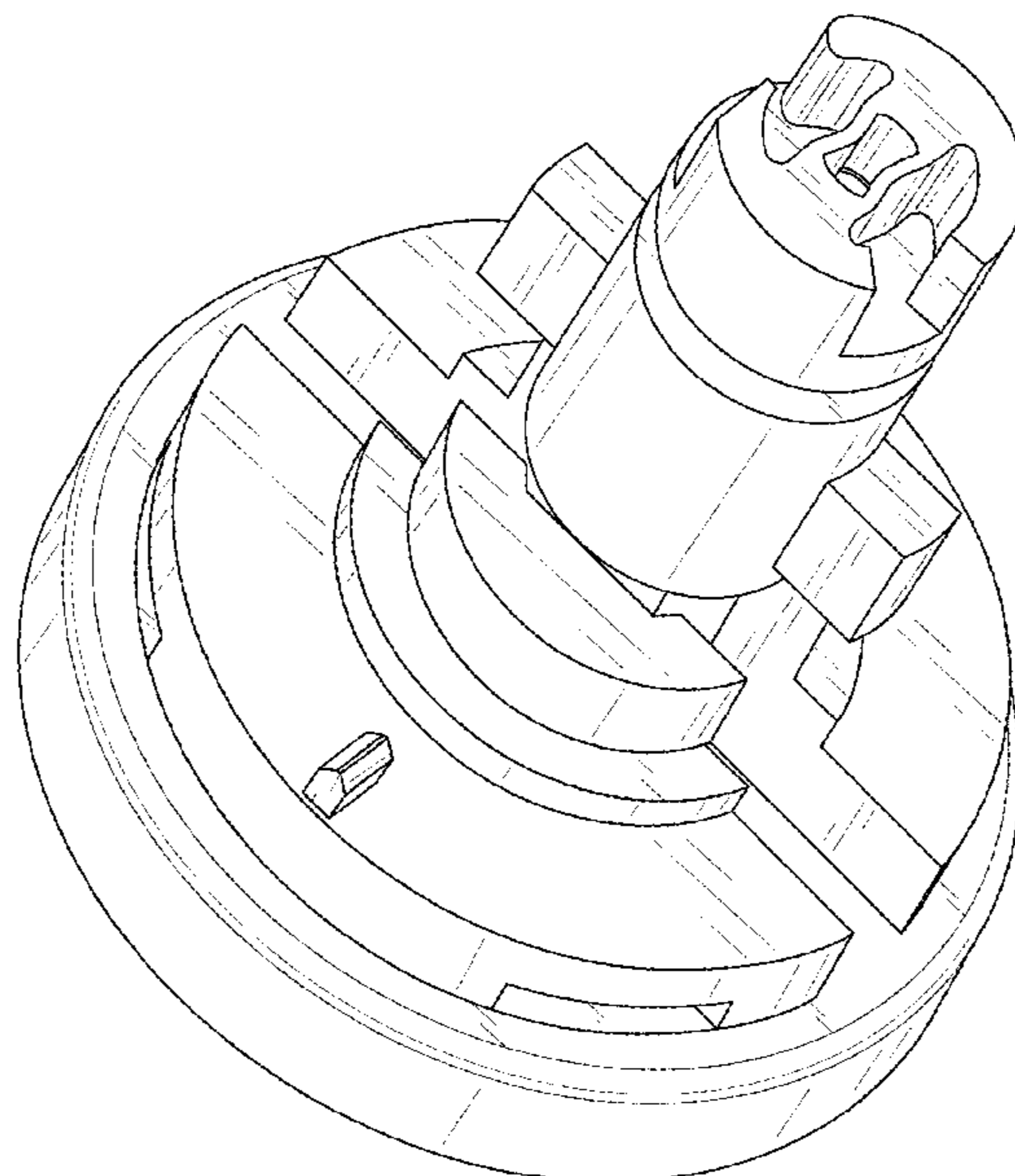
FIG. 1 illustrates a perspective view of a water filter of the new design;  
FIG. 2 illustrates a front view thereof;  
FIG. 3 illustrates a rear view thereof;  
FIG. 4 illustrates a left view thereof;  
FIG. 5 illustrates a right view thereof;  
FIG. 6 illustrates a top view thereof; and,  
FIG. 7 illustrates a bottom view thereof.  
The broken lines indicate unclaimed portions of the water filter and form no part of the claimed design.

**1 Claim, 7 Drawing Sheets**

(56) **References Cited**

**U.S. PATENT DOCUMENTS**

D472,604 S \* 4/2003 Fritze ..... D23/209  
D679,779 S \* 4/2013 Reid ..... D23/209  
D750,738 S \* 3/2016 Baird ..... D23/209  
D751,666 S 3/2016 Kruckenberg et al.  
D760,868 S 7/2016 Lu  
D764,021 S 8/2016 Lu  
D773,607 S \* 12/2016 Lu ..... D23/209  
D776,237 S \* 1/2017 Dong ..... D23/207  
D780,887 S \* 3/2017 Huda ..... D23/209  
D788,880 S \* 6/2017 Zou ..... D23/209  
D792,943 S \* 7/2017 Zou ..... D23/209  
D794,749 S \* 8/2017 Zou ..... D23/209



(56)

**References Cited**

U.S. PATENT DOCUMENTS

D861,127	S	*	9/2019	Lu	.....	D23/209
D865,119	S	*	10/2019	An	.....	D23/209
D875,209	S	*	2/2020	Zou	.....	D23/209
D878,517	S	*	3/2020	Zou	.....	D23/209
D883,426	S	*	5/2020	Lu	.....	D23/209
10,639,570	B2		5/2020	You et al.		
10,653,984	B2		5/2020	You et al.		
D886,940	S	*	6/2020	Zou	.....	D23/209
D886,941	S	*	6/2020	Zou	.....	D23/209
D890,296	S	*	7/2020	Chandler	.....	D23/209
D891,577	S	*	7/2020	Zou	.....	D23/209
D892,264	S	*	8/2020	Zou	.....	D23/209
D892,265	S	*	8/2020	Zou	.....	D23/209
D894,333	S	*	8/2020	Huaping	.....	D23/209
D894,336	S	*	8/2020	Huaping	.....	D23/209
D894,337	S	*	8/2020	Huaping	.....	D23/209
D899,563	S	*	10/2020	Wei	.....	D23/209
D913,416	S		3/2021	Qiang		
D964,510	S	*	9/2022	Melkonian	.....	D23/209
D967,925	S	*	10/2022	Kollmann	.....	D23/209
D973,838	S	*	12/2022	Morgan	.....	D23/213
D974,525	S	*	1/2023	Stein	.....	D23/213

\* cited by examiner

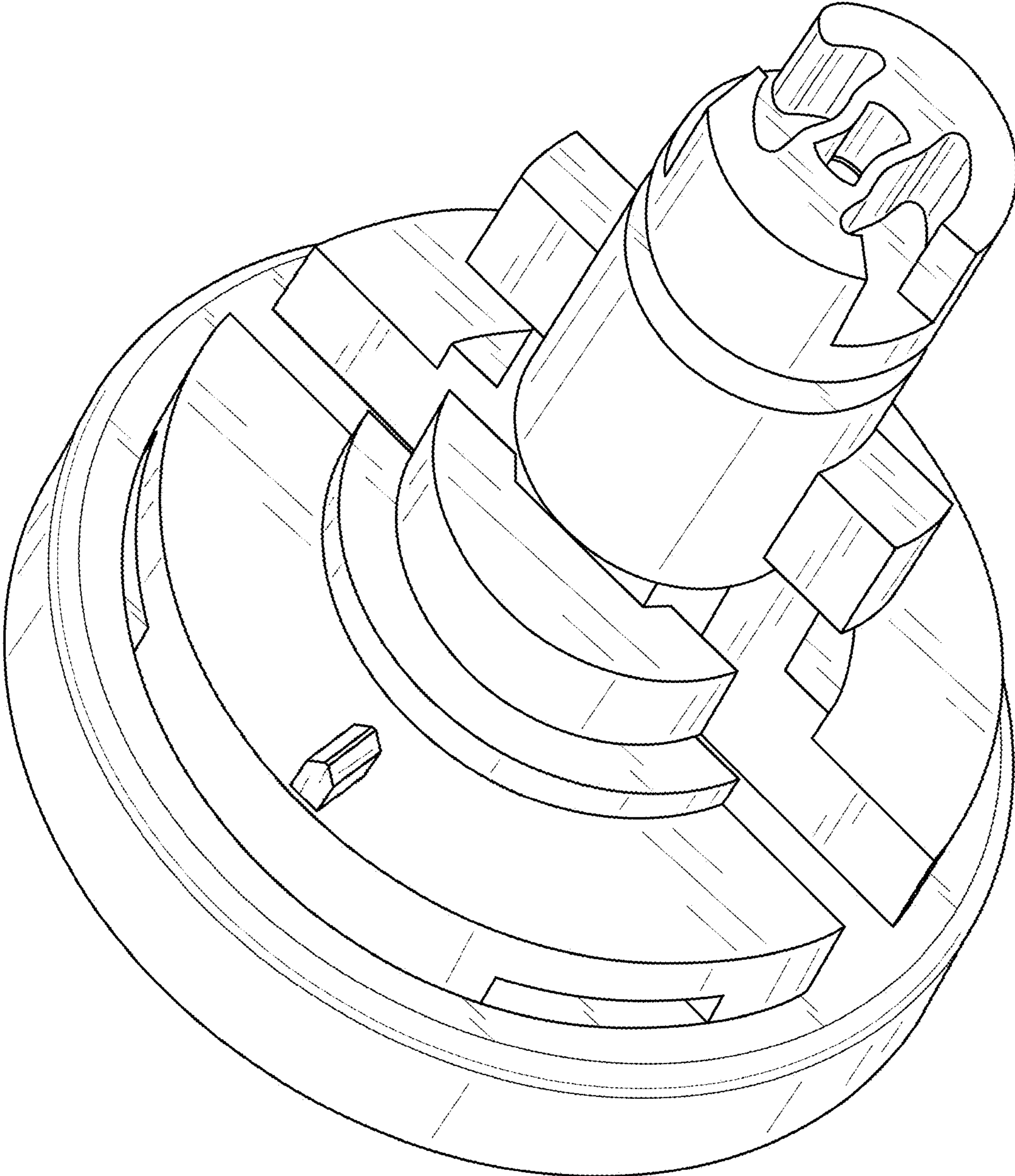


FIG. 1

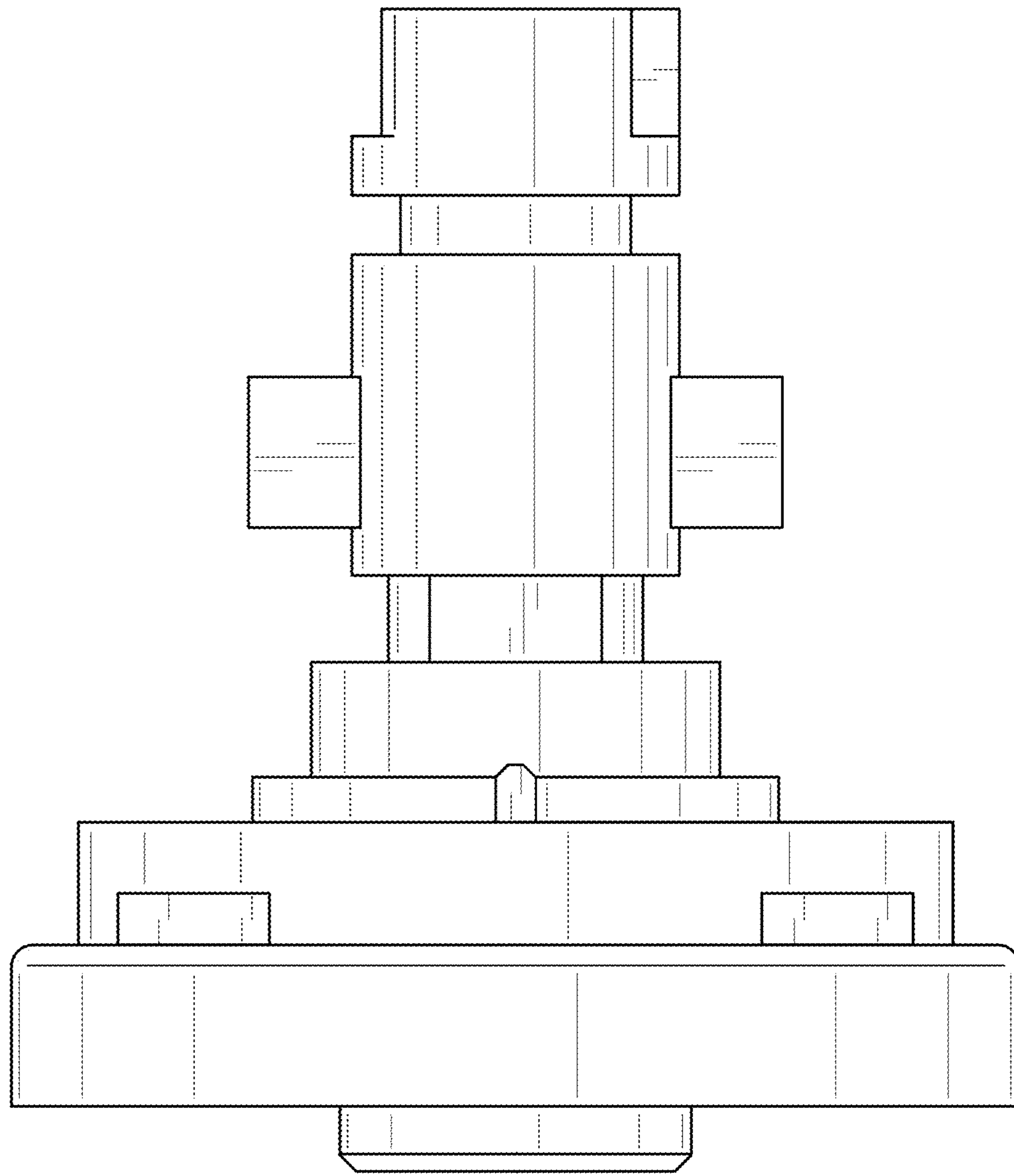


FIG. 2

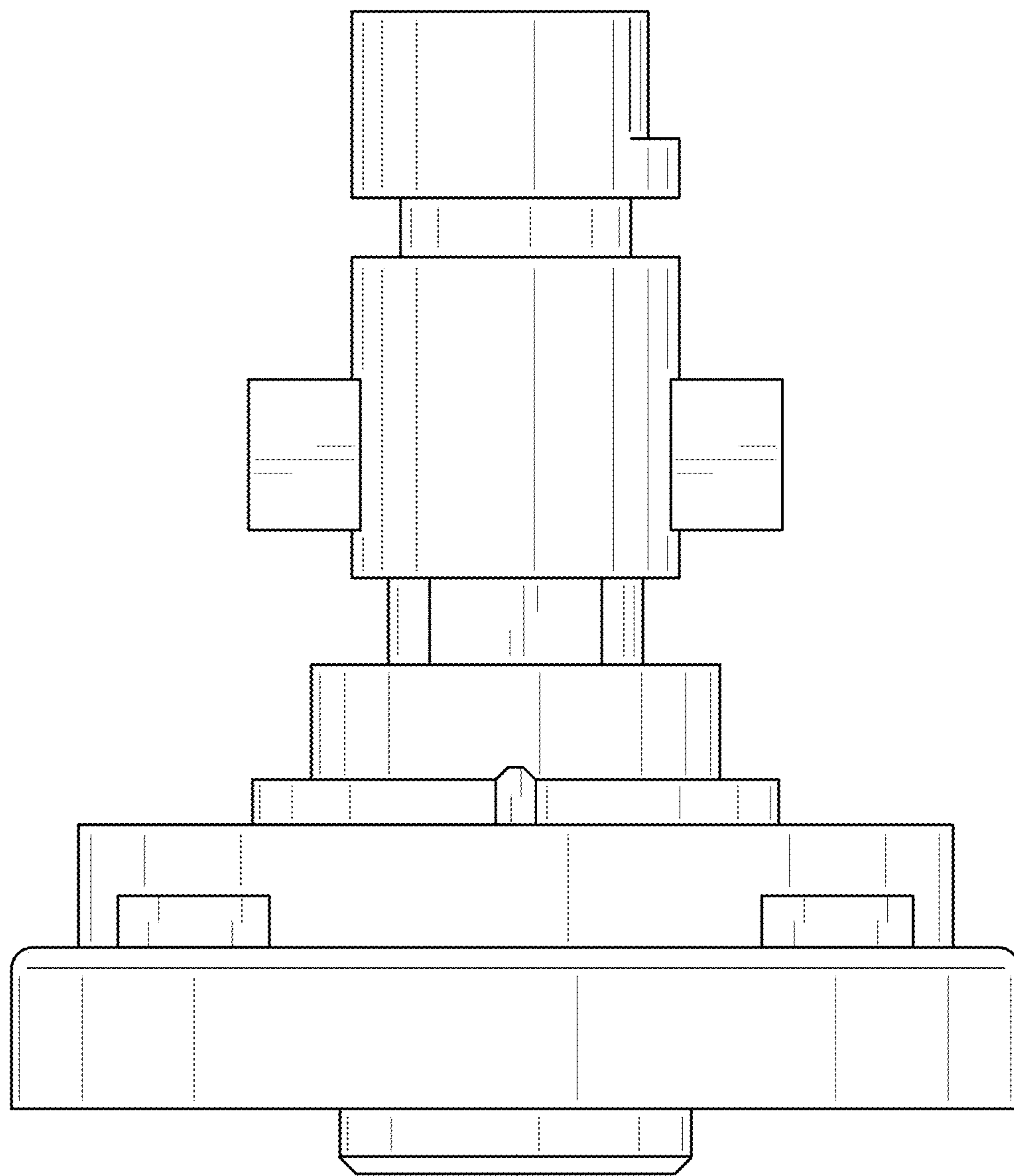


FIG. 3

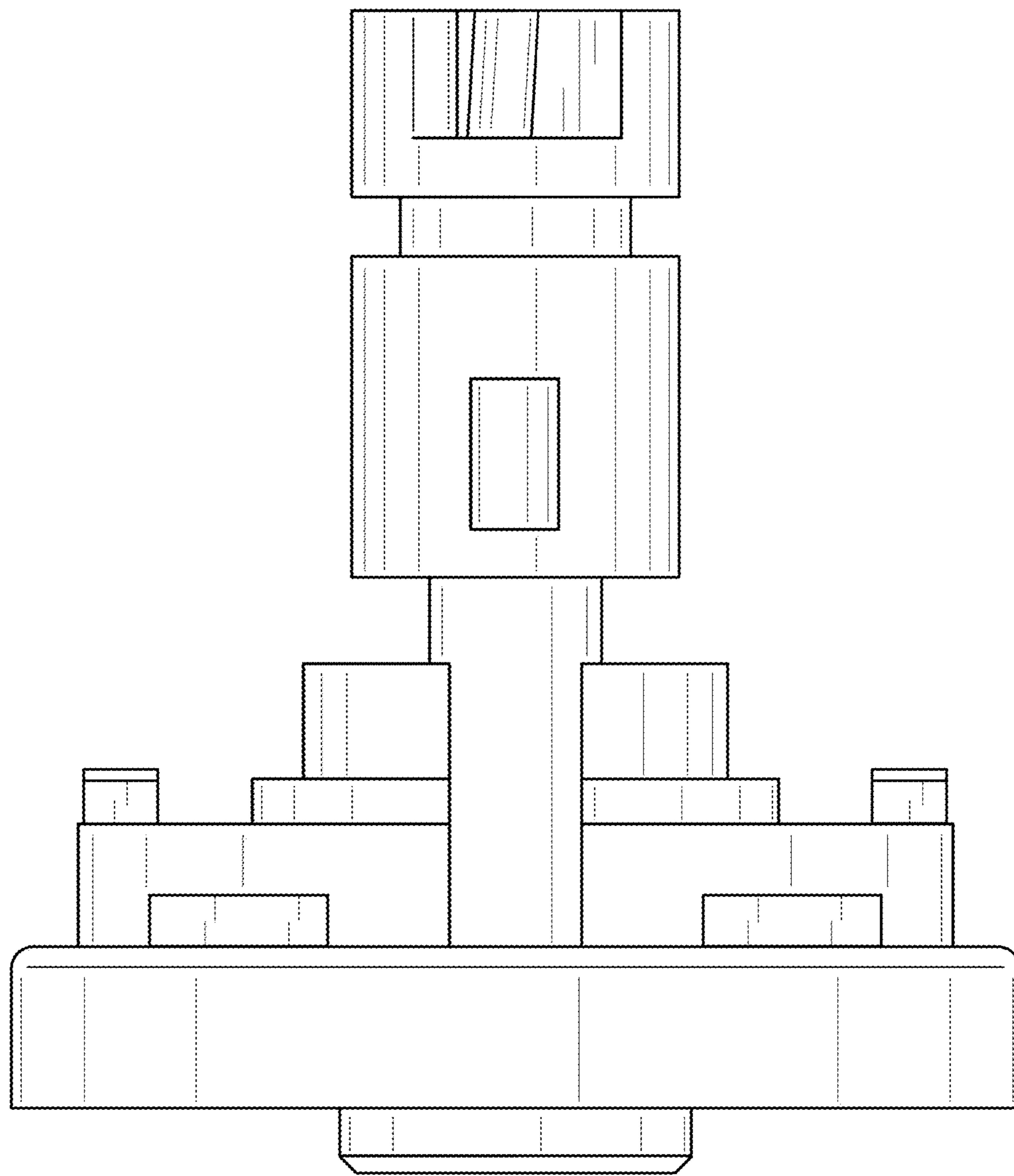


FIG. 4

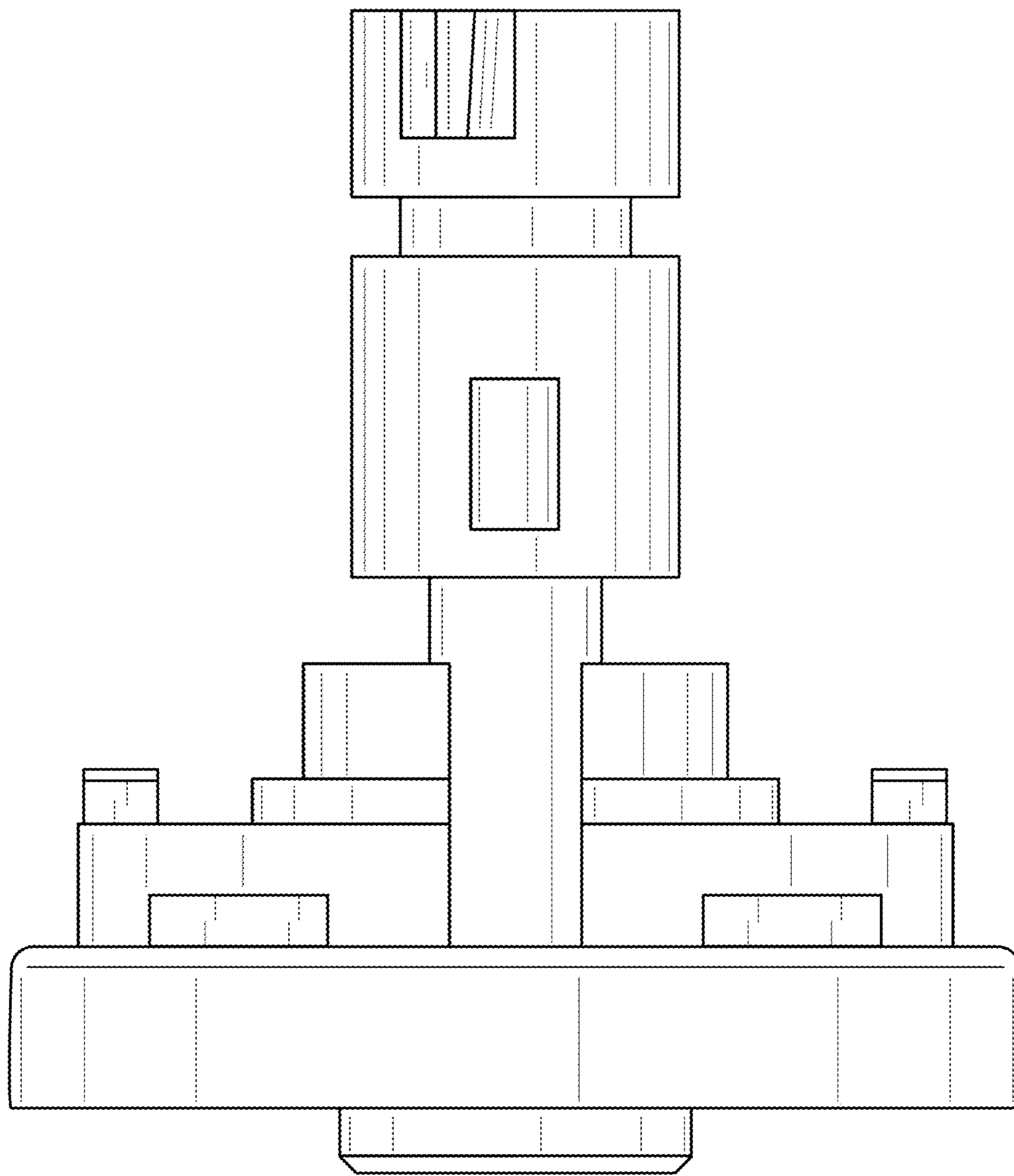


FIG. 5

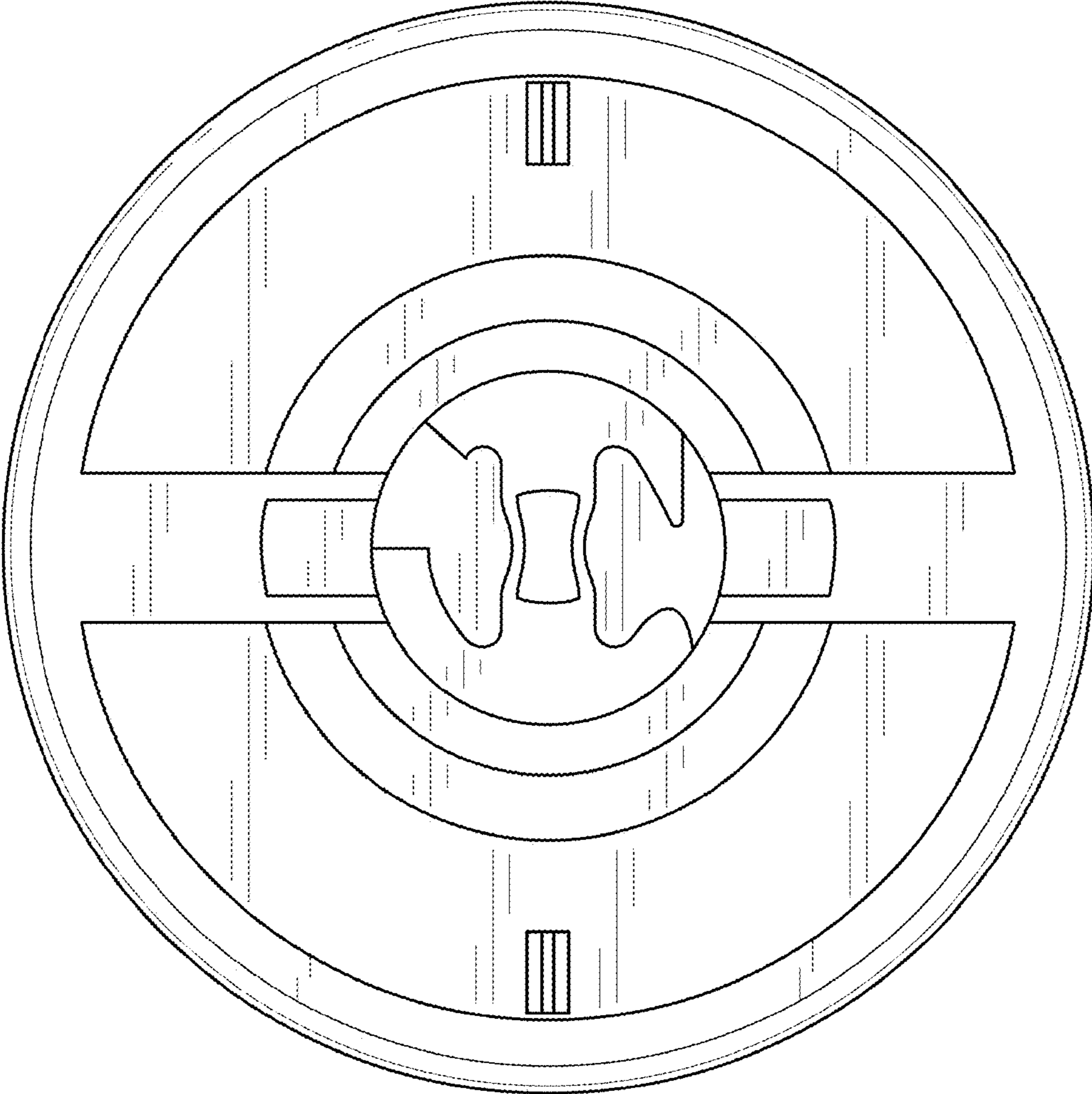


FIG. 6



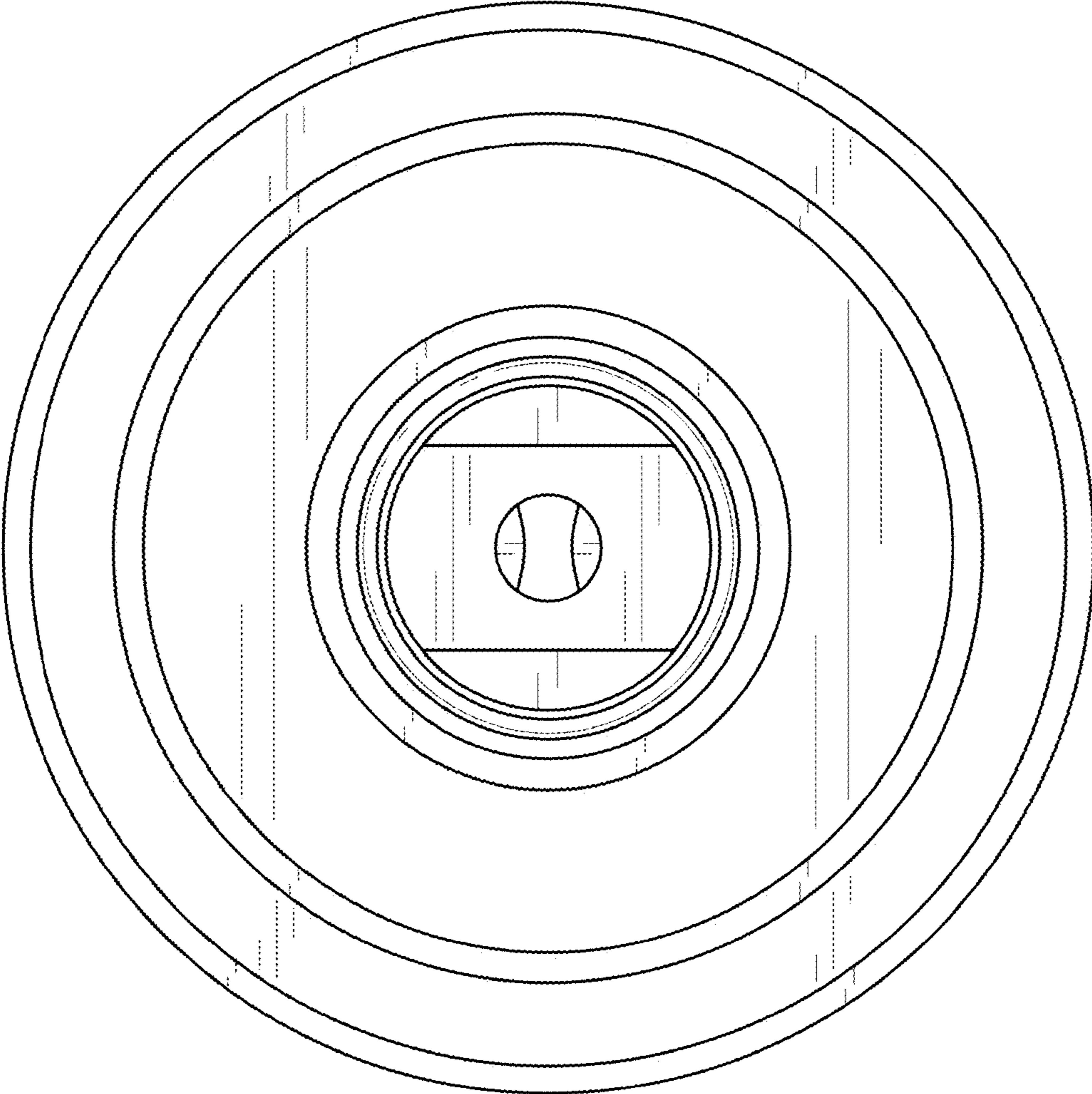


FIG. 7