



US00D985714S

(12) **United States Design Patent** (10) **Patent No.:** **US D985,714 S**
Luo (45) **Date of Patent:** **** May 9, 2023**

(54) **ASSEMBLY OF INSECT DETERRENT AND REPELLER**

(71) Applicant: **Jieping Luo**, Shenzhen (CN)

(72) Inventor: **Jieping Luo**, Shenzhen (CN)

(**) Term: **15 Years**

(21) Appl. No.: **29/812,797**

(22) Filed: **Oct. 25, 2021**

(51) **LOC (14) Cl.** **22-06**

(52) **U.S. Cl.**
USPC **D22/120; D22/122**

(58) **Field of Classification Search**
USPC D22/119–120, 122; D23/366–367, 370,
D23/377–379; 43/132.1, 137
CPC A01M 1/02; A01M 1/24; A01M 29/06;
A01M 29/34; A01M 2200/012
See application file for complete search history.

(56) **References Cited**

U.S. PATENT DOCUMENTS

D654,979 S *	2/2012	Smith	D22/122
D847,297 S *	4/2019	Hassman	D22/122
D864,347 S *	10/2019	Li	D22/122
D921,830 S *	6/2021	Liu	D22/120
D948,701 S *	4/2022	Liu	D23/379
D977,057 S *	1/2023	Yuan	D23/379

OTHER PUBLICATIONS

https://www.amazon.com/Treva-FD15001-Repellent-Pack-Black/dp/B084116H4L/ref=sr_1_12?crd=3JSWCXIKLFAOI&keywords=insect+deterrent+and+repeller&qid=1676508857&sprefix=insect+deterrent+and+repeller%2Caps%2C82&sr=8-12 (date unknown).*

https://www.amazon.com/MAGIC-CAT-Rechargeable-Holographic-Restaurant/dp/B0B3WYT3S3/ref=sr_1_49_sspa?crd=8LW53IF63E9X&keywords=fly+fans&qid=1676510097&sprefix=fly+fans%2Caps%2C80&sr=8-49-spons&psc=1&spLa=ZW5jenlwdGVkUXVhbGlmYWVvPUEwSEFQRVZFMRTUJmVuY3J5cHRIZEikPUEwMTE2ODgzM0NQVjdGQVlQOEc2OCZlbnNyeXB0ZWRBZEikPU EwMTQ4NTYxMUVGM0hQTzhEWDJCNCZ3aWRnZXROYWlIPXNwX2F0Zl9uZXh0JmFjdGlvbj1jbGlja1JlZGl5ZWNOJmRvTm90TG9nQ2xpY2s9dHJlZQ== (Year: 2022).*

* cited by examiner

Primary Examiner — Catherine R Oliver-Garcia
(74) *Attorney, Agent, or Firm* — Li & Cai Intellectual Property (USA) Office

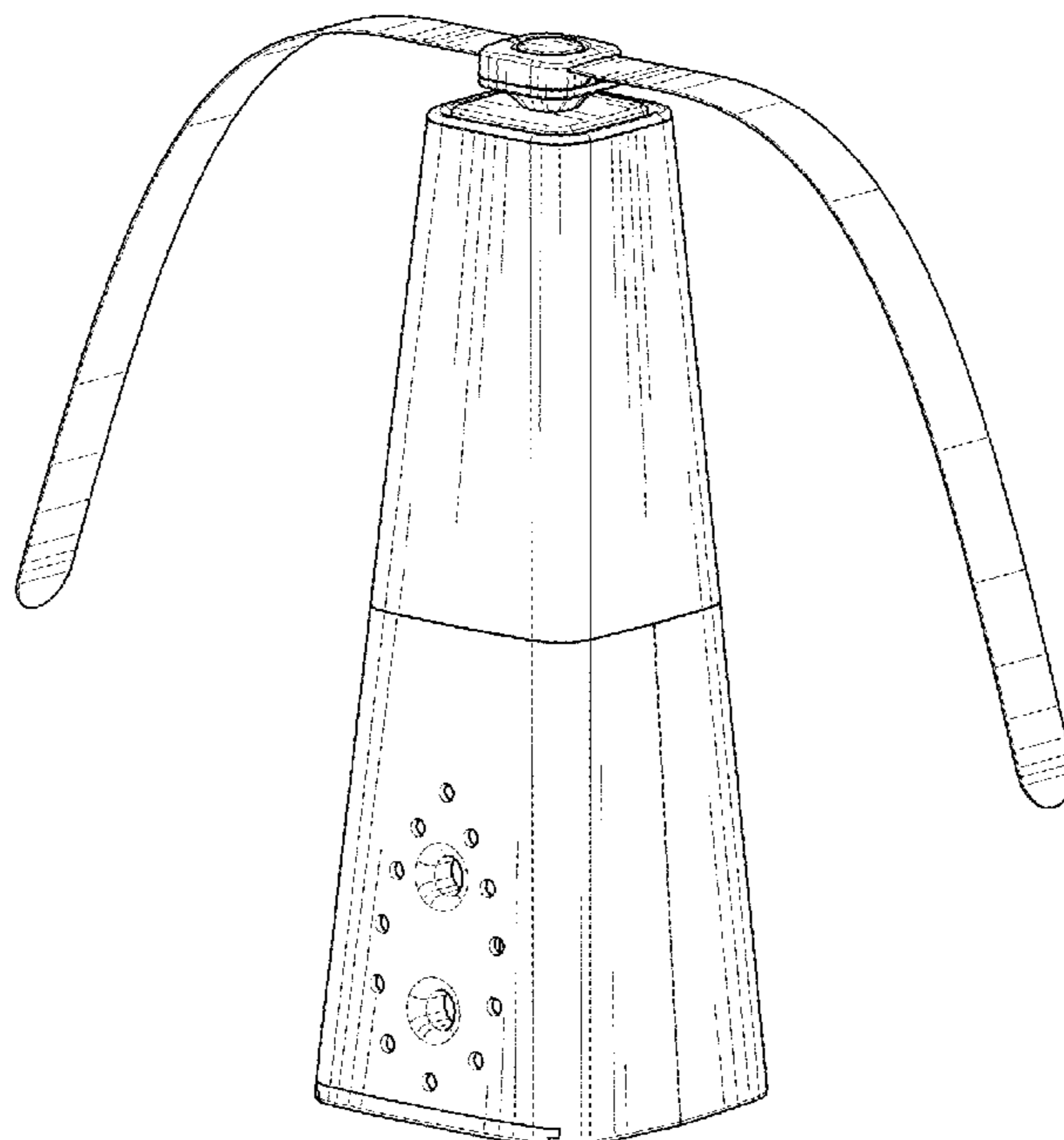
(57) **CLAIM**

The ornamental design for an assembly of insect deterrent and repeller, as shown and described.

DESCRIPTION

FIG. 1 is a front, right side, top perspective view of an assembly of insect deterrent and repeller showing the claimed design;
FIG. 2 is a front elevational view thereof;
FIG. 3 is a rear elevational view thereof;
FIG. 4 is a left side elevational view thereof, the right side view of which is an identical view thereto and is omitted therefor;
FIG. 5 is a top plan view thereof;
FIG. 6 is a bottom plan view thereof; and,
FIG. 7 is an exploded rear, left side, top perspective view thereof, wherein an insect deterrent is upward separated from an insect repeller.
A bottom view of the insect deterrent is omitted since it does not contain ornamental features. The dashed broken lines in the drawing depict portions of the assembly of insect deterrent and repeller that form no part of the claimed design.

1 Claim, 7 Drawing Sheets



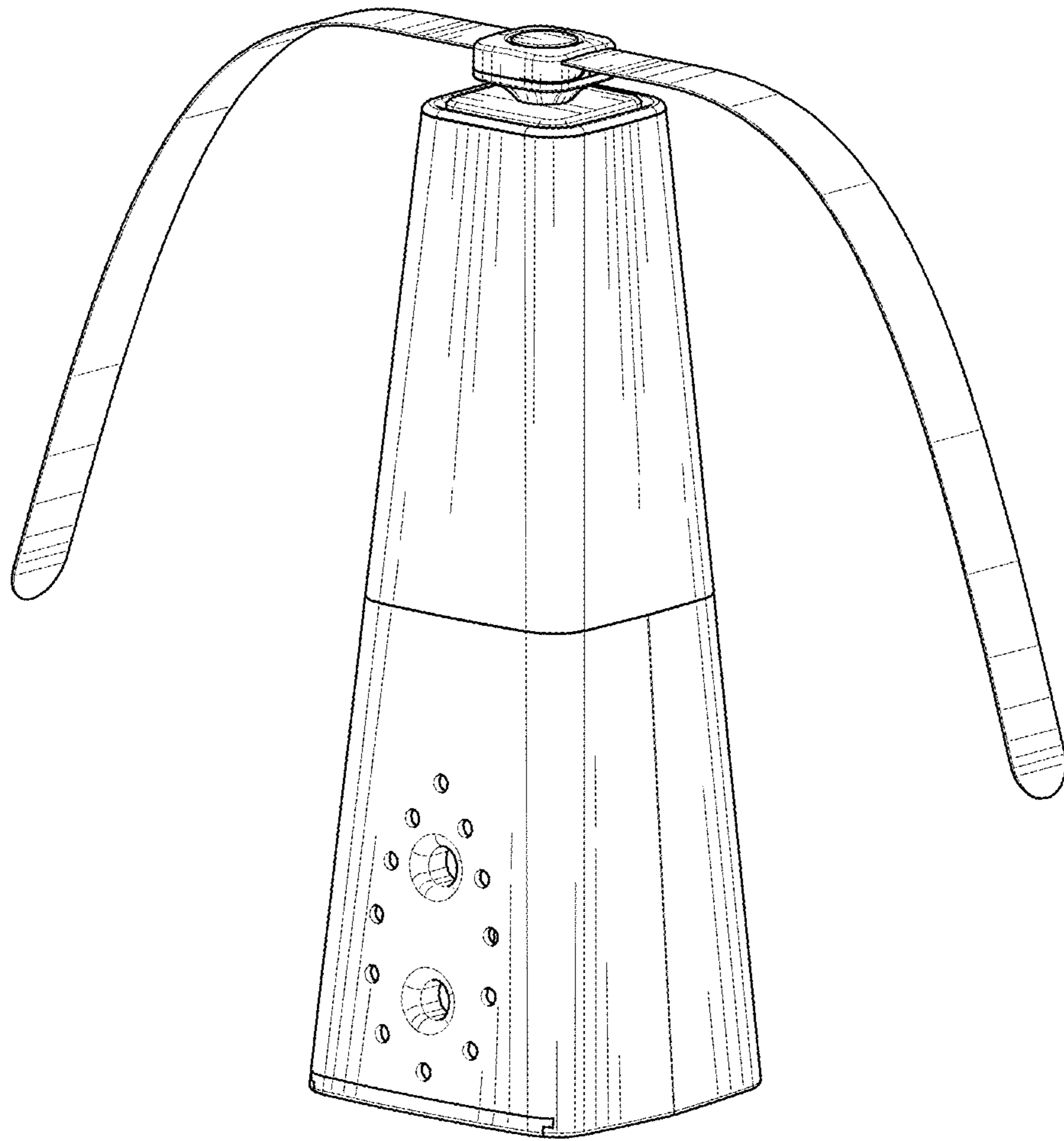


FIG. 1

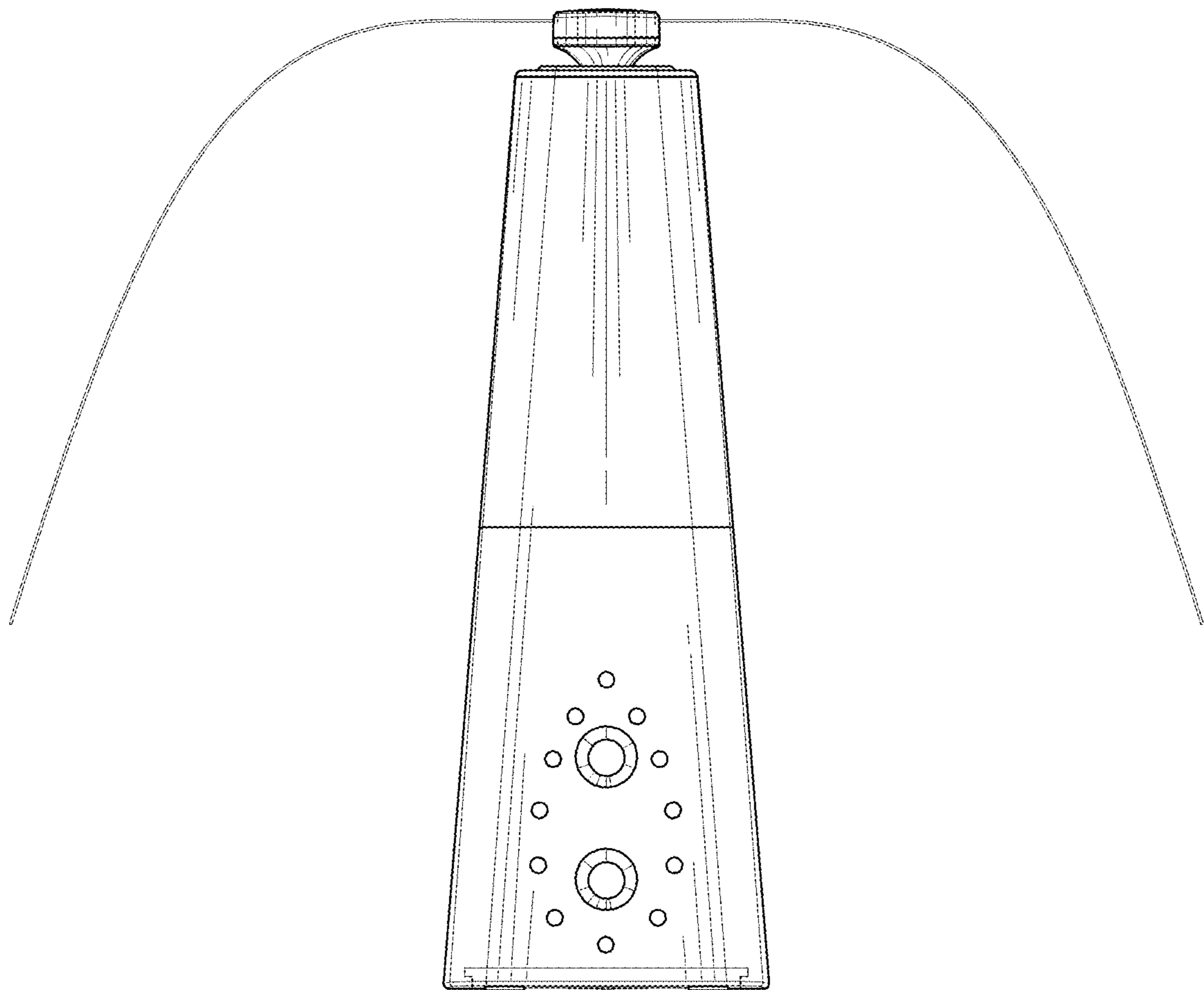


FIG. 2

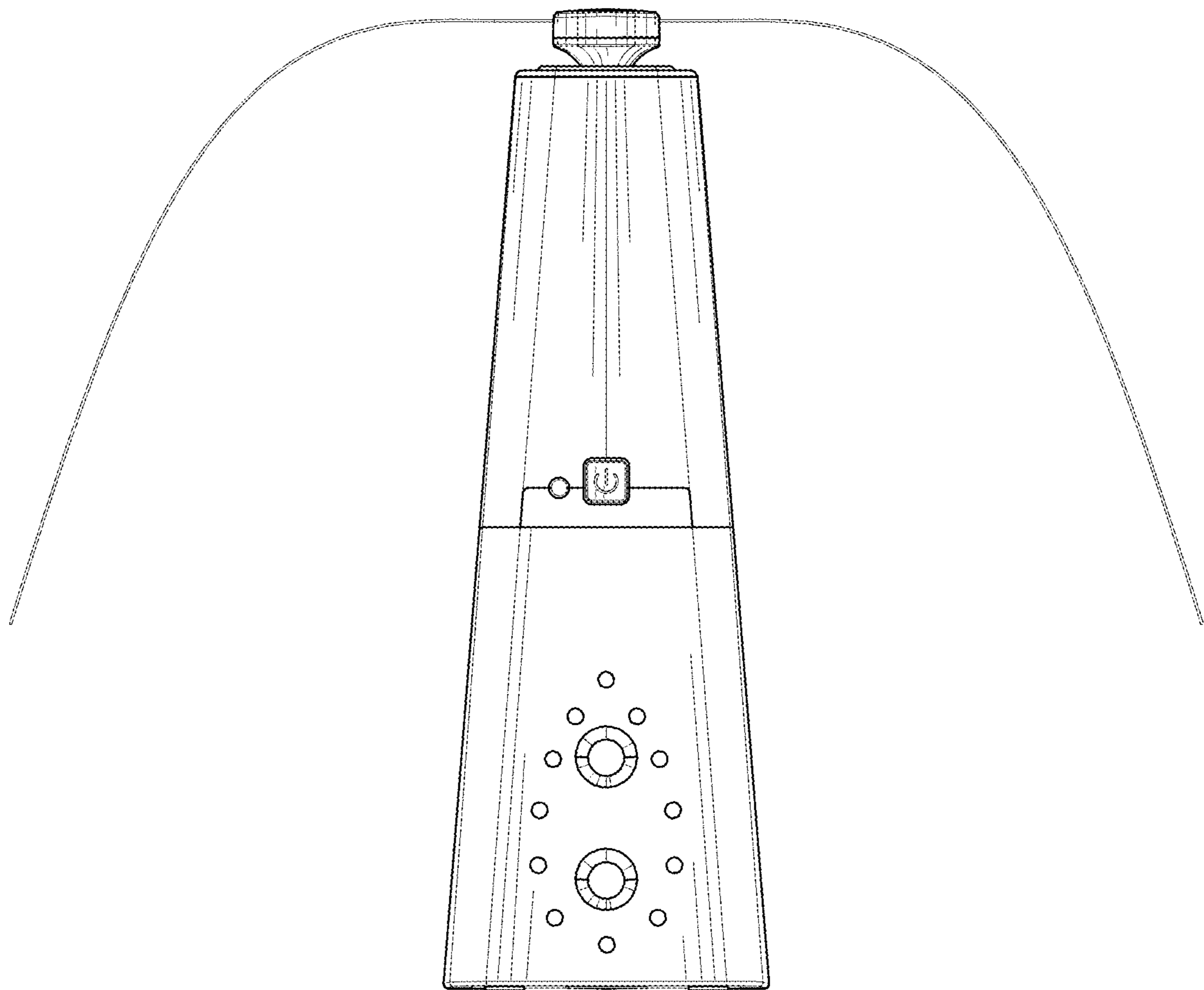


FIG. 3

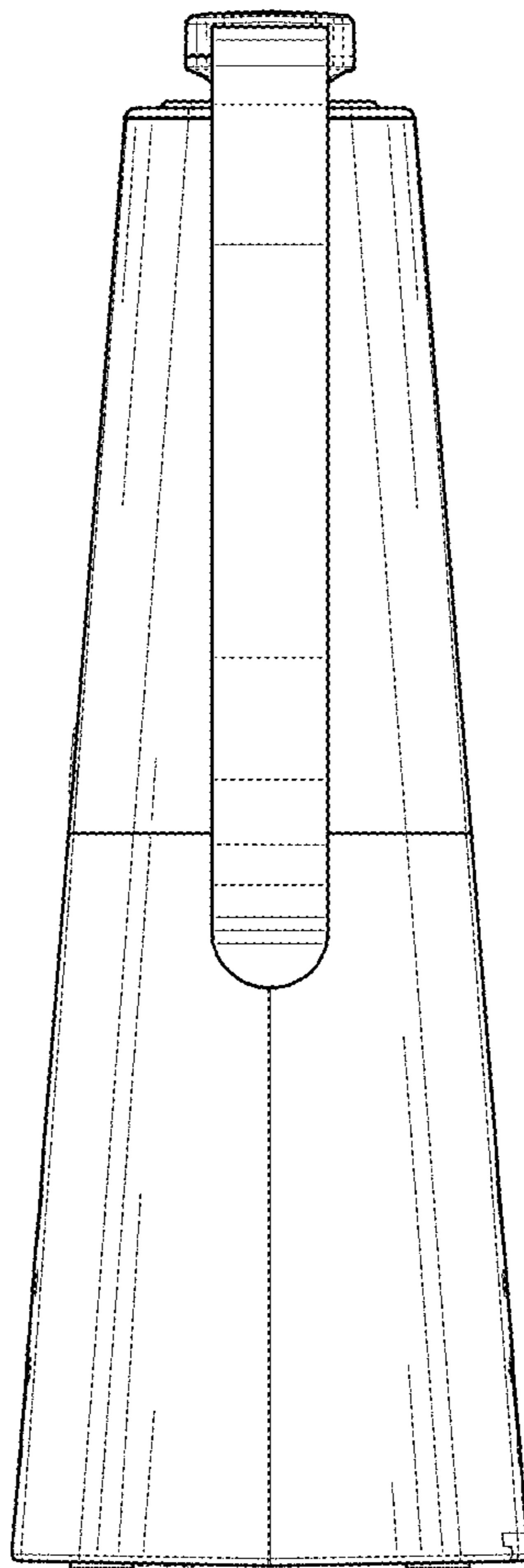


FIG. 4

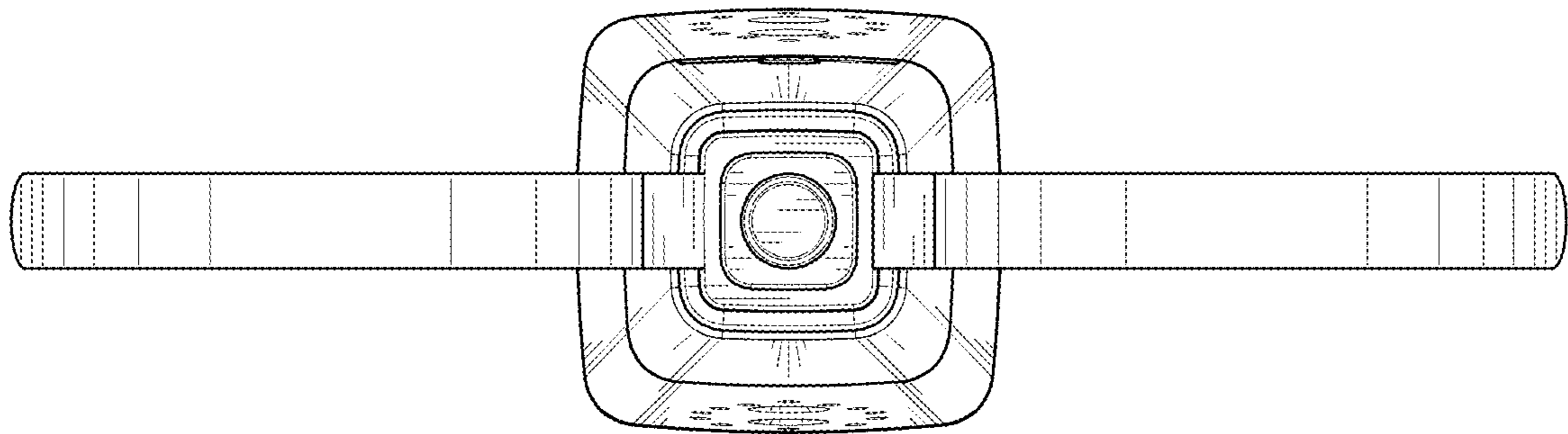


FIG. 5

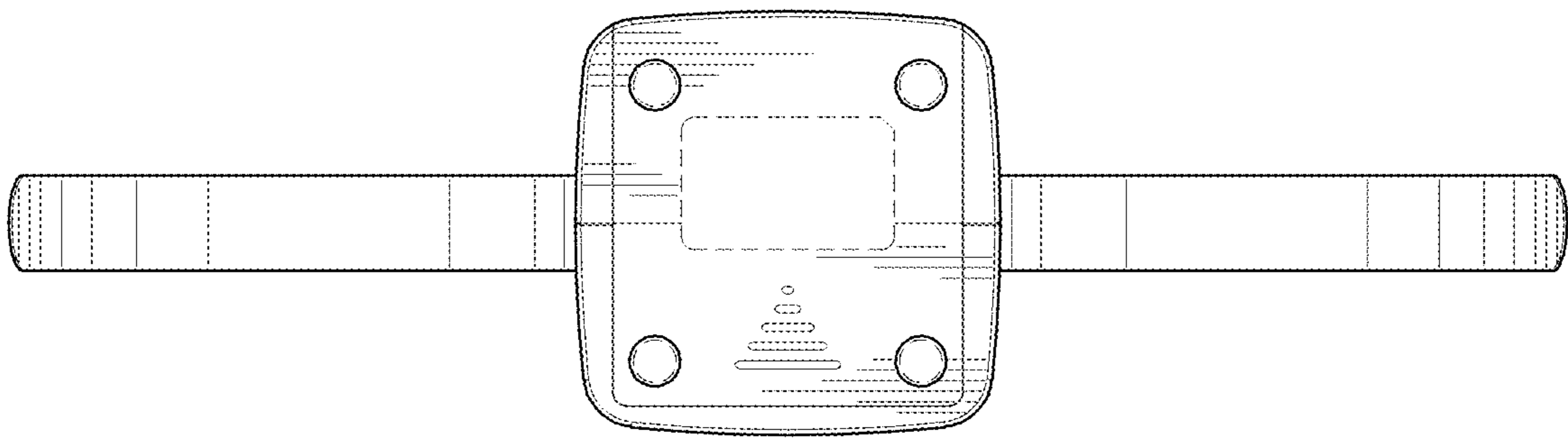


FIG. 6

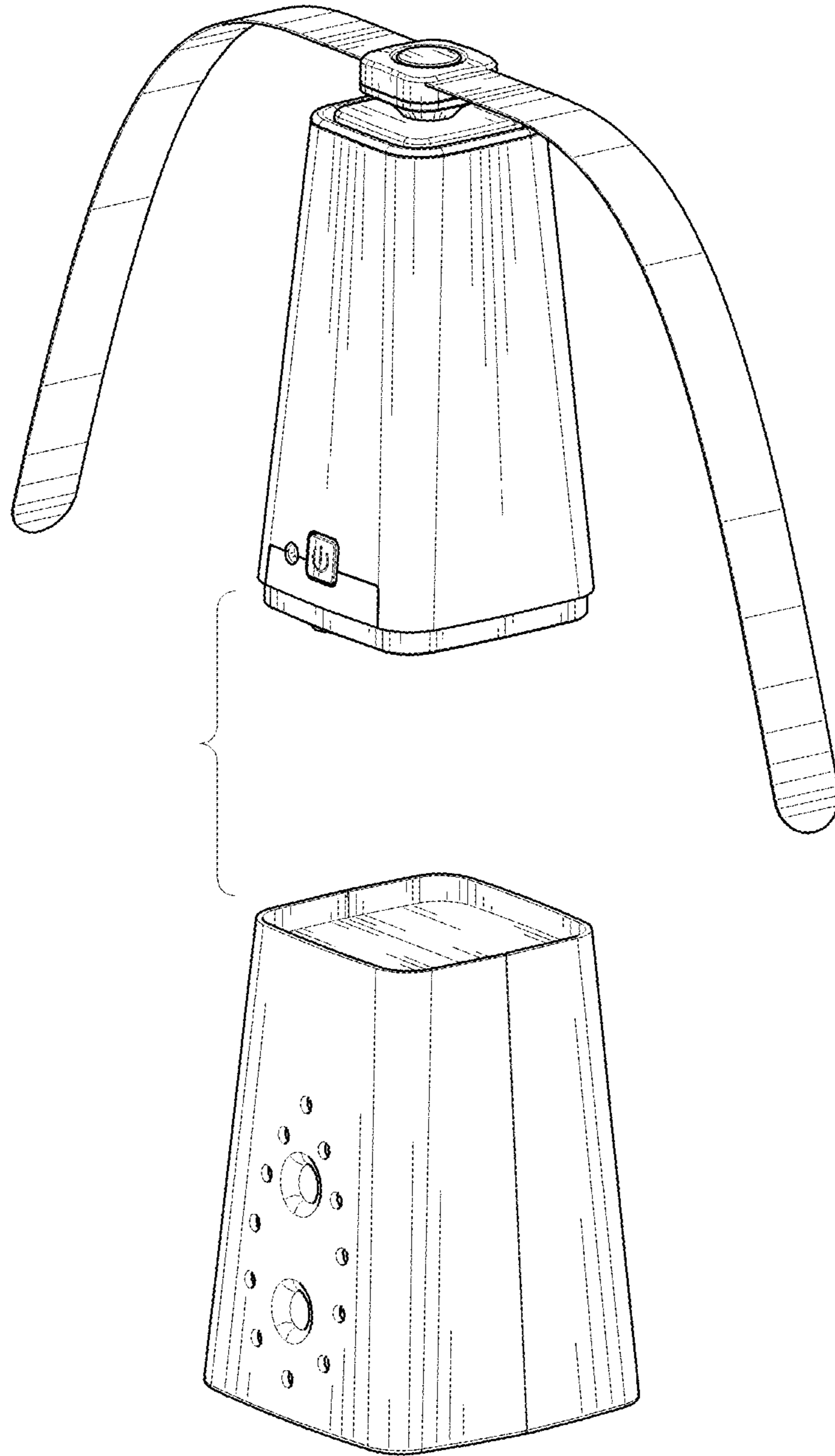


FIG. 7