



US00D985713S

(12) **United States Design Patent** (10) **Patent No.:** **US D985,713 S**
Liu (45) **Date of Patent:** **** May 9, 2023**

(54) **ANIMAL REPELLER**
(71) Applicant: **Hongqin Liu**, Shenzhen (CN)
(72) Inventor: **Hongqin Liu**, Shenzhen (CN)
(**) Term: **15 Years**
(21) Appl. No.: **29/812,552**
(22) Filed: **Oct. 22, 2021**

(30) **Foreign Application Priority Data**

Jul. 30, 2021 (CN) 202130488409.3

(51) **LOC (14) Cl.** **22-06**

(52) **U.S. Cl.**
USPC **D22/120; D13/102**

(58) **Field of Classification Search**
USPC D22/119-120; D13/102
CPC A01M 29/02; A01M 29/12; A01M 29/16;
A01M 29/18; A01M 27/00; A01M
2200/00; A01M 2200/01
See application file for complete search history.

(56) **References Cited**

U.S. PATENT DOCUMENTS

7,598,879 B2 * 10/2009 Weiser A01M 29/16
43/124
D639,893 S * 6/2011 Feuerstein D22/120
D639,894 S * 6/2011 Feuerstein D22/120
8,755,251 B1 * 6/2014 Jan A01M 29/16
367/139
D779,027 S * 2/2017 Zhang D22/120

10,087,521 B2 * 10/2018 Yuan C23C 16/45523
D839,987 S * 2/2019 Dai D22/120
D861,120 S * 9/2019 Luo D22/120
D863,497 S * 10/2019 Sinur D22/122
D897,485 S * 9/2020 He D22/120
D906,471 S * 12/2020 Henskes D22/120
D934,375 S * 10/2021 Dai D22/120
D963,784 S * 9/2022 Wu D22/120
2003/0201874 A1 * 10/2003 Wu F21V 21/0824
340/573.2

* cited by examiner

Primary Examiner — Catherine R Oliver-Garcia
(74) *Attorney, Agent, or Firm* — Li & Cai Intellectual
Property (USA) Office

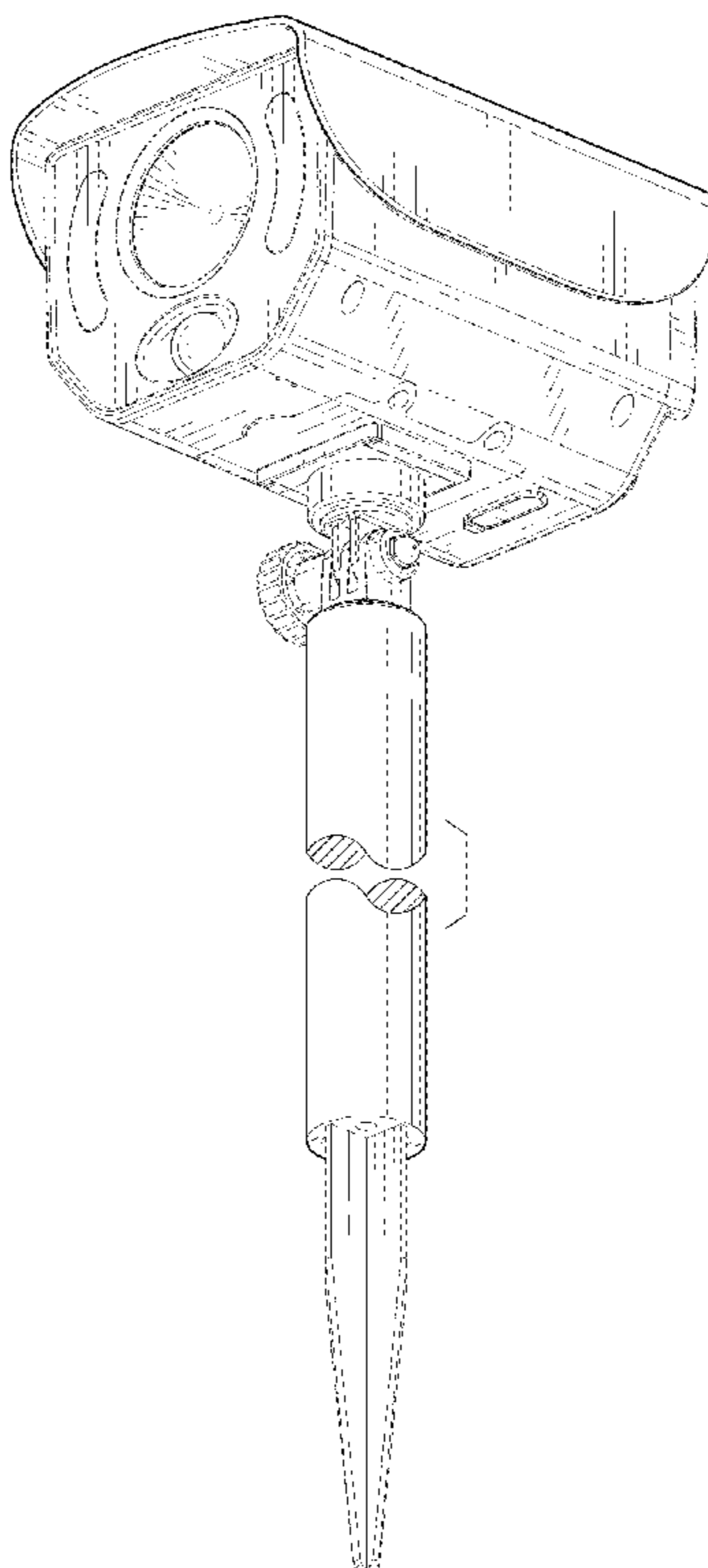
(57) **CLAIM**

The ornamental design for an animal repeller, as shown and described.

DESCRIPTION

FIG. 1 is a front, right side, bottom perspective view of an animal repeller showing the claimed design;
FIG. 2 is a front elevational view thereof;
FIG. 3 is a rear elevational view thereof;
FIG. 4 is a left side elevational view thereof;
FIG. 5 is a right side elevational view thereof;
FIG. 6 is a top plan view thereof; and,
FIG. 7 is a bottom plan view thereof.
The dashed broken lines in the drawing depict portions of the animal repeller that form no part of the claimed design. The stake is shown broken away to indicate that no particular length is claimed and any portion shown in between forms no part of the claimed design.

1 Claim, 6 Drawing Sheets



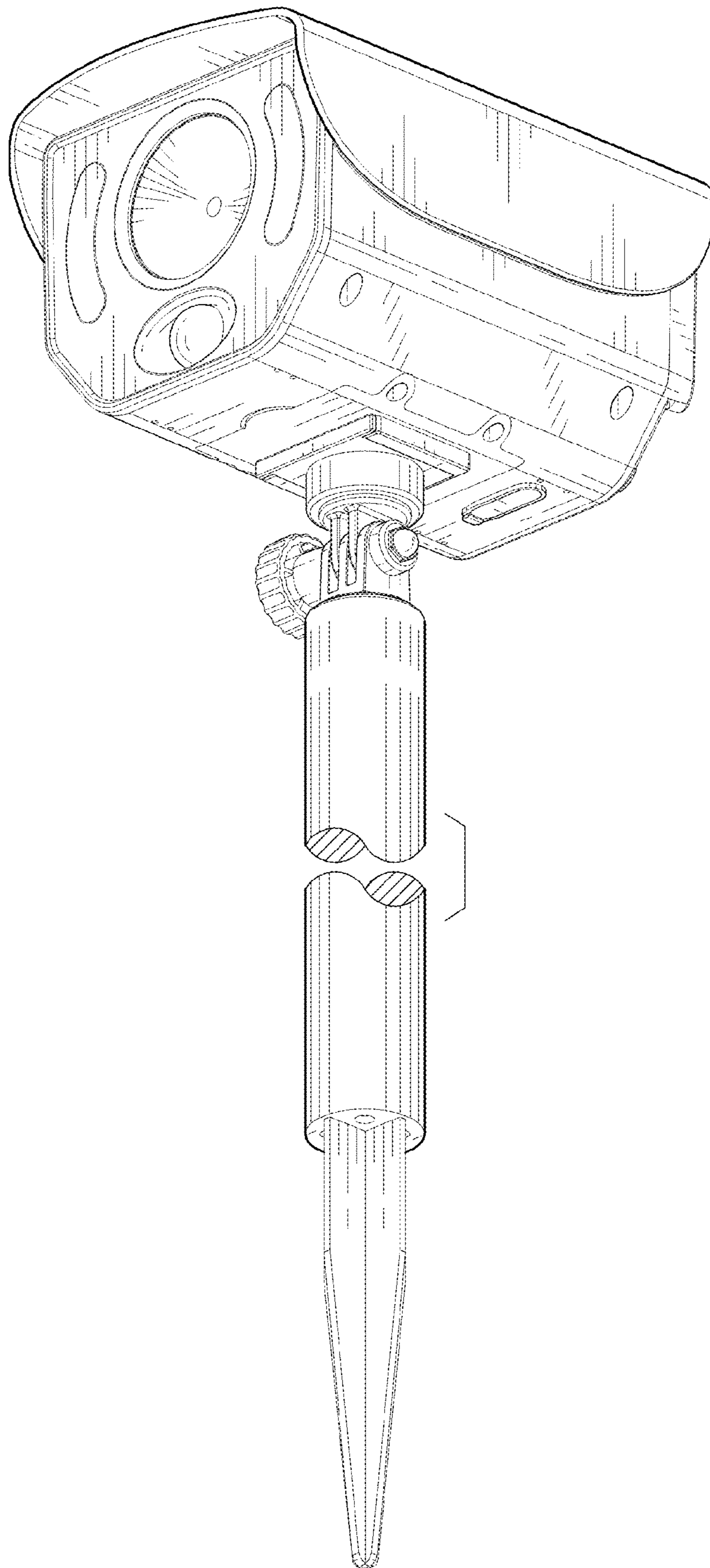


FIG. 1

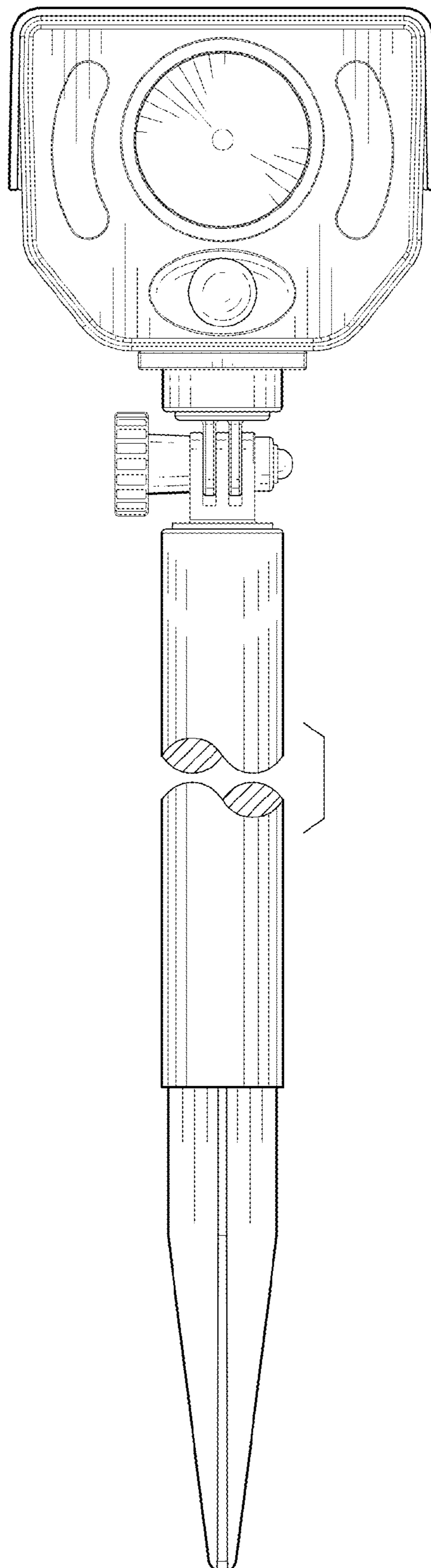


FIG. 2

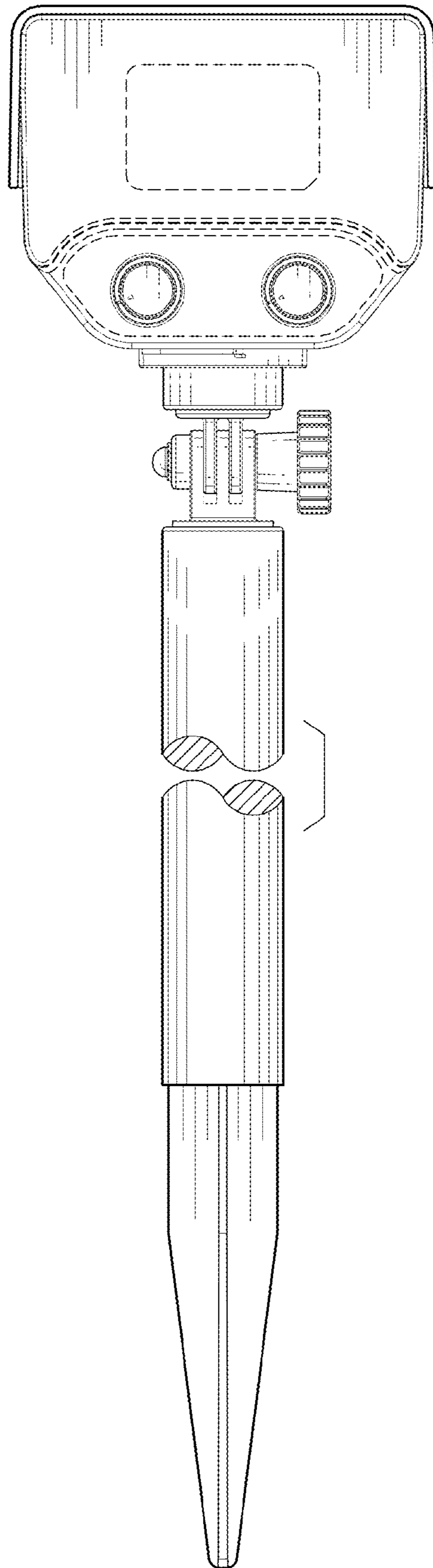


FIG. 3

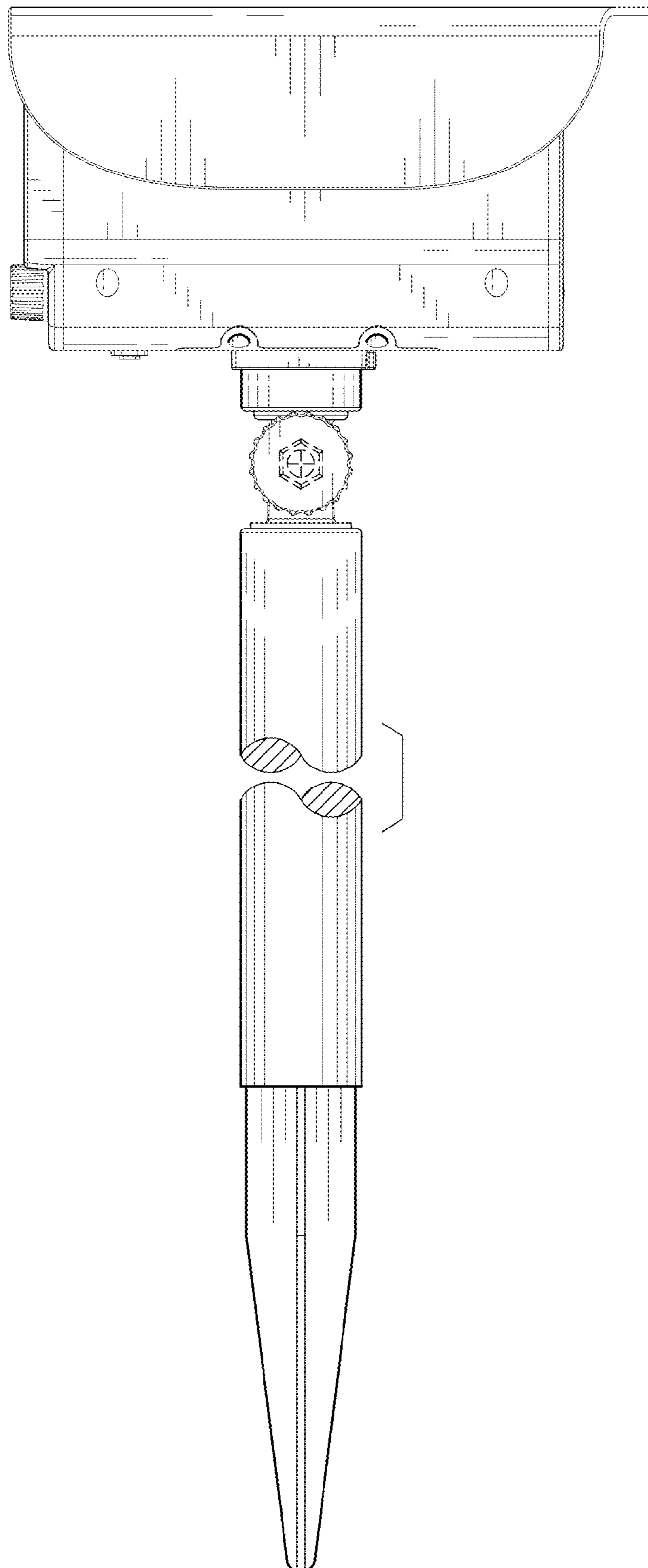


FIG. 4

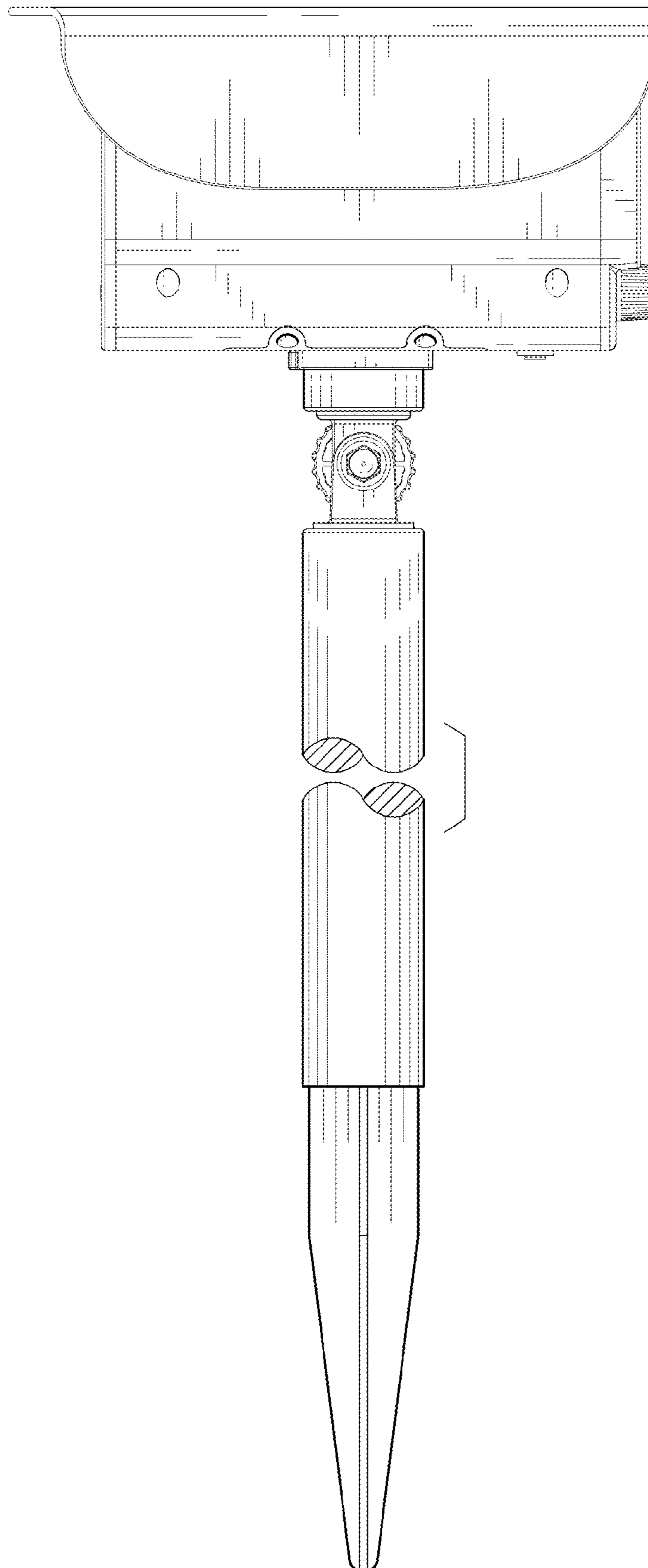


FIG. 5

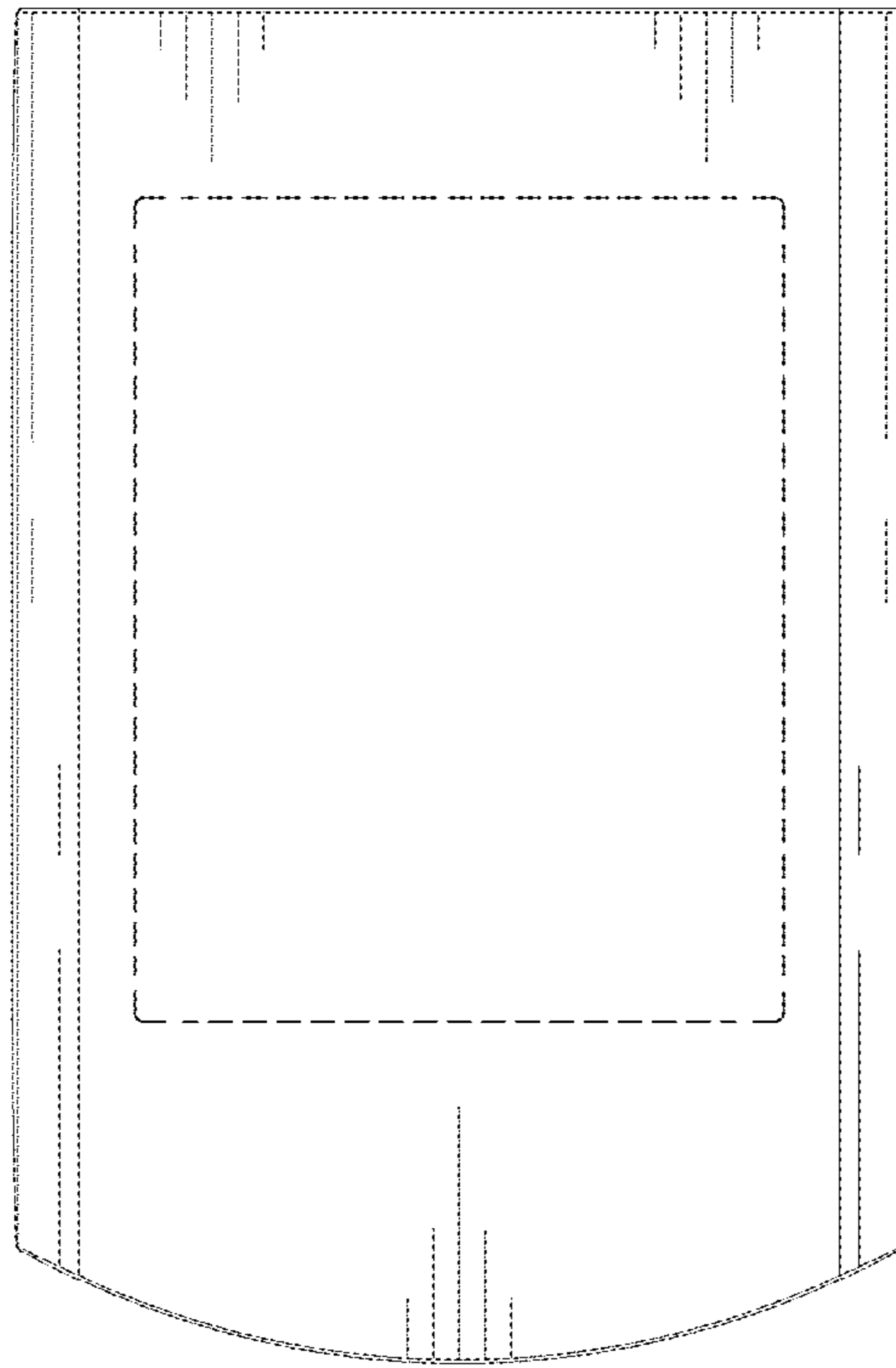


FIG. 6

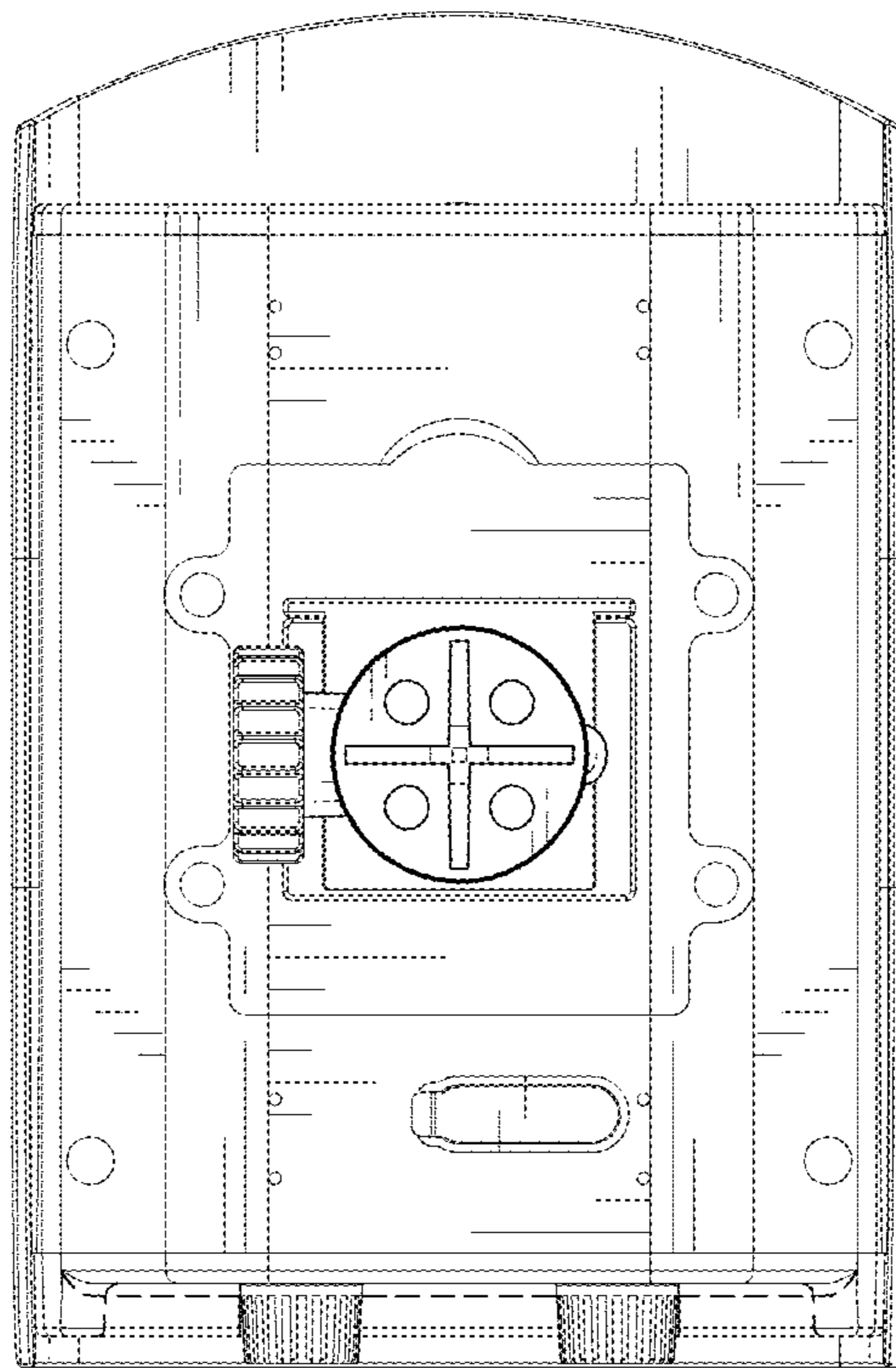


FIG. 7