



US00D985709S

(12) **United States Design Patent**
Liu

(10) **Patent No.:** **US D985,709 S**

(45) **Date of Patent:** **** May 9, 2023**

(54) **LED WEAPONLIGHT WITH LASER SIGHTS**

(71) Applicant: **Shenzhen Jiawo Industrial Co., Ltd.**,
Shenzhen (CN)

(72) Inventor: **Huizhu Liu**, Shenzhen (CN)

(73) Assignee: **Shenzhen Jiawo Industrial Co., Ltd.**,
Shenzhen (CN)

(**) Term: **15 Years**

(21) Appl. No.: **29/803,683**

(22) Filed: **Aug. 16, 2021**

(51) **LOC (14) Cl.** **22-01**

(52) **U.S. Cl.**
USPC **D22/109**; D26/60

(58) **Field of Classification Search**
USPC D22/108, 109, 110; D26/60; D16/220;
D10/70

CPC F41G 1/14; F41G 1/38; F41G 1/40; F41G
1/16; F41G 1/02; F41G 1/06
See application file for complete search history.

(56) **References Cited**

U.S. PATENT DOCUMENTS

D400,226 S *	10/1998	Tenne	D16/220
D548,385 S *	8/2007	Sharrah	D26/51
D578,599 S *	10/2008	Cheng	D22/108
D629,826 S *	12/2010	Funakoshi	D16/220
D738,455 S *	9/2015	Homem de Mello Anderson	D22/109
D749,184 S *	2/2016	Sakiewicz	D22/108
D796,622 S *	9/2017	Sharrah	D22/109
D800,864 S *	10/2017	Hartley	D22/109
D857,268 S *	8/2019	Worman	D26/60
D865,544 S *	11/2019	Yu	D10/70
D872,334 S *	1/2020	Fan	D22/108
D872,919 S *	1/2020	Fan	D22/108
D879,907 S *	3/2020	Prestwich	D22/109

D898,260 S *	10/2020	Worman	D22/108
D898,261 S *	10/2020	Worman	D22/108
D907,267 S *	1/2021	Worman	D26/60
D907,268 S *	1/2021	Worman	D26/60
D907,269 S *	1/2021	Worman	D26/60
D907,270 S *	1/2021	Worman	D26/60
D940,266 S *	1/2022	Wang	D22/109
D947,312 S *	3/2022	Li	D22/109
D964,500 S *	9/2022	Li	D22/109
D969,260 S *	11/2022	Chen	D22/108
2016/0021329 A1 *	1/2016	Sakiewicz	G11B 27/34 386/227

OTHER PUBLICATIONS

“Votatu H2L-B Blue Laser Light Combo, Magnetic Rechargeable 1000 Lumens Strobe Weapon Light with Blue Beam Laser Sight for Pistol Handgun” [online]. Votatu. [Product first available on Dec. 12, 2021]. Retrieved from the Internet: <<https://www.amazon.com/dp/B09NK5X3M2>>.*

* cited by examiner

Primary Examiner — Mojtaba Tehrani

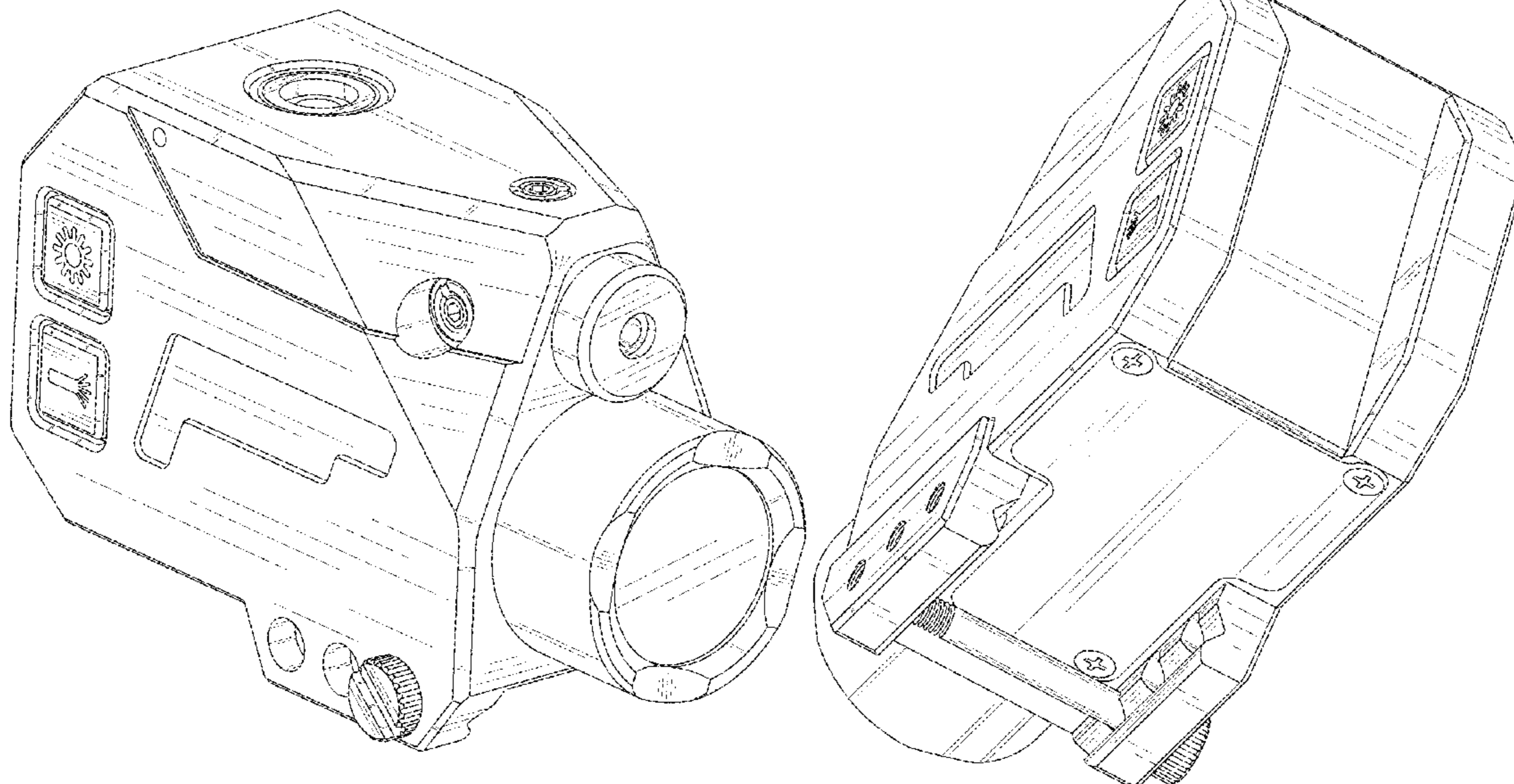
(57) **CLAIM**

The ornamental design for an LED weaponlight with laser sights, as shown and described.

DESCRIPTION

FIG. 1 is a top perspective view of a LED weaponlight with laser sights, showing my new design;
FIG. 2 is a bottom perspective view thereof;
FIG. 3 is a front view thereof;
FIG. 4 is a back view thereof;
FIG. 5 is a left side view thereof;
FIG. 6 is a right side view thereof;
FIG. 7 is a top plan view thereof; and,
FIG. 8 is a bottom plan view thereof.

1 Claim, 8 Drawing Sheets



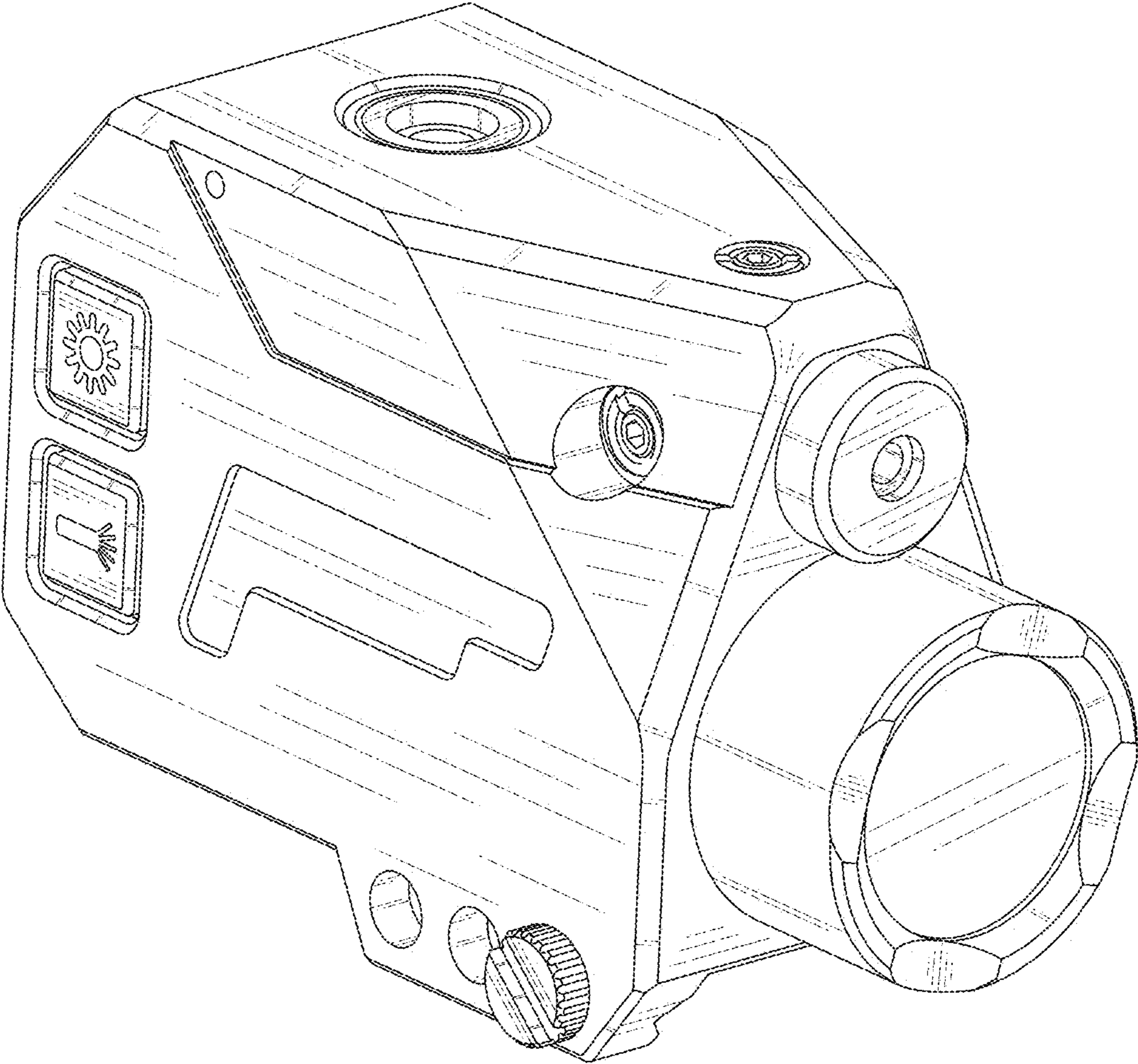


FIG.1

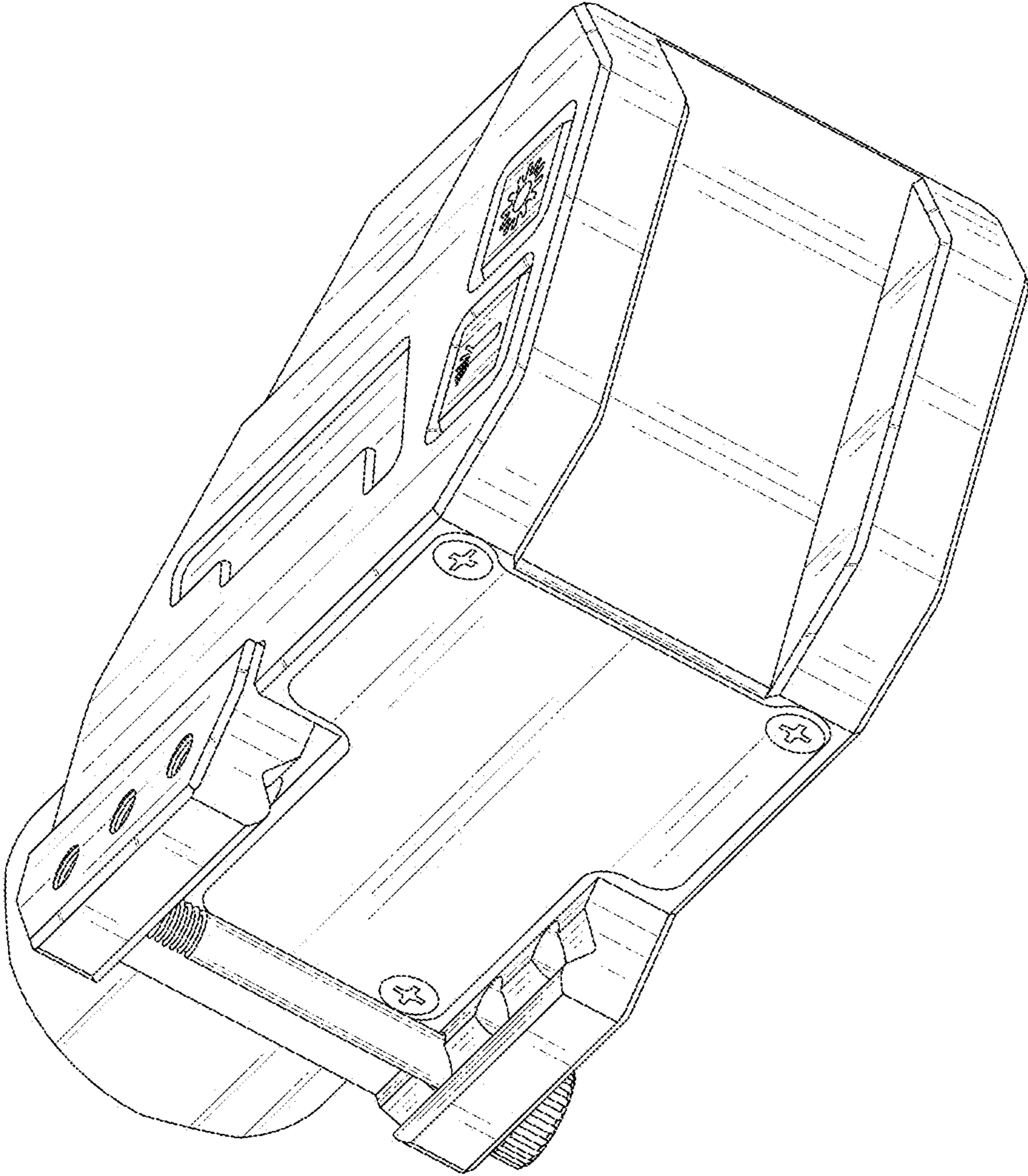


FIG.2

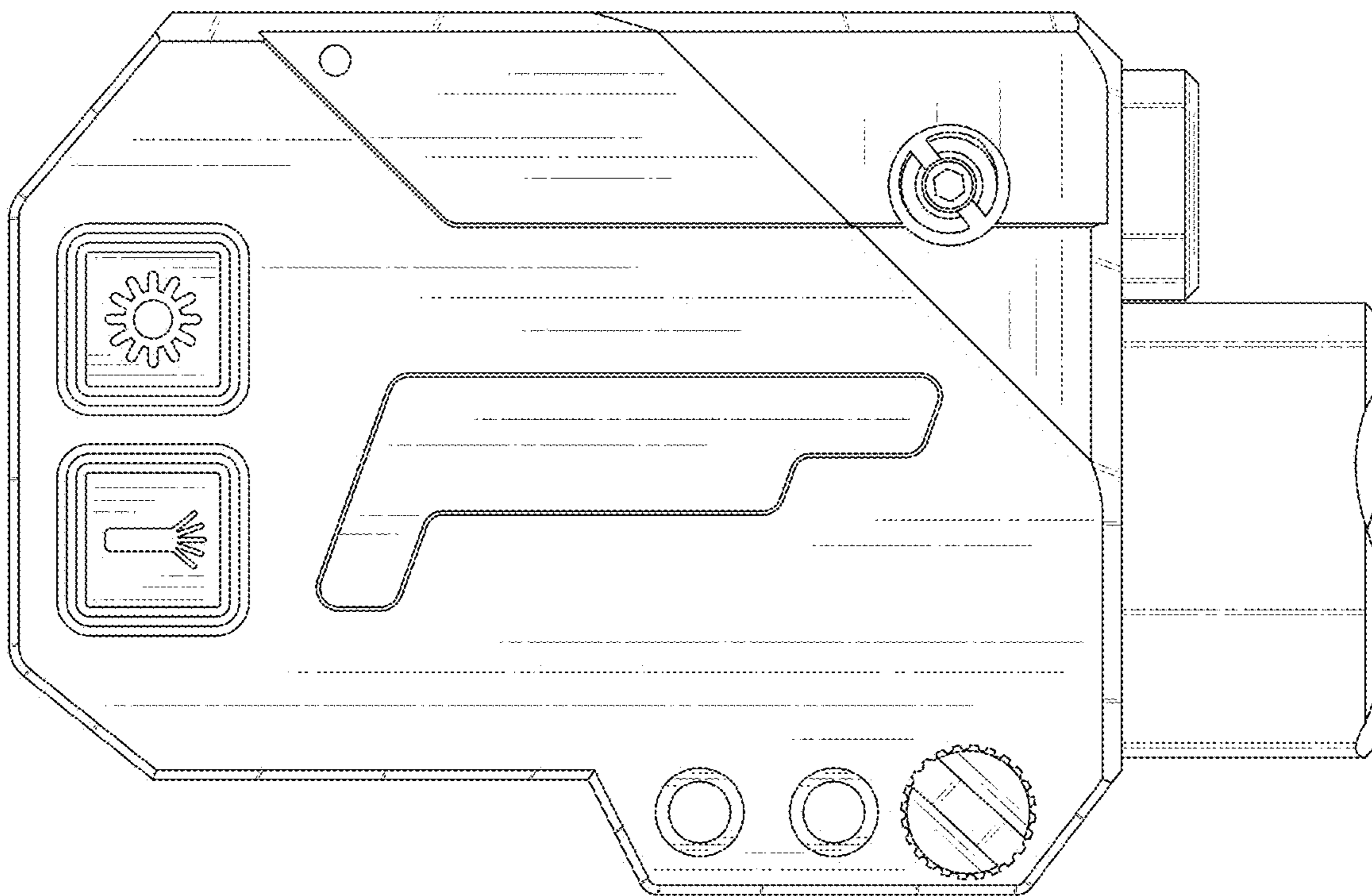


FIG.3

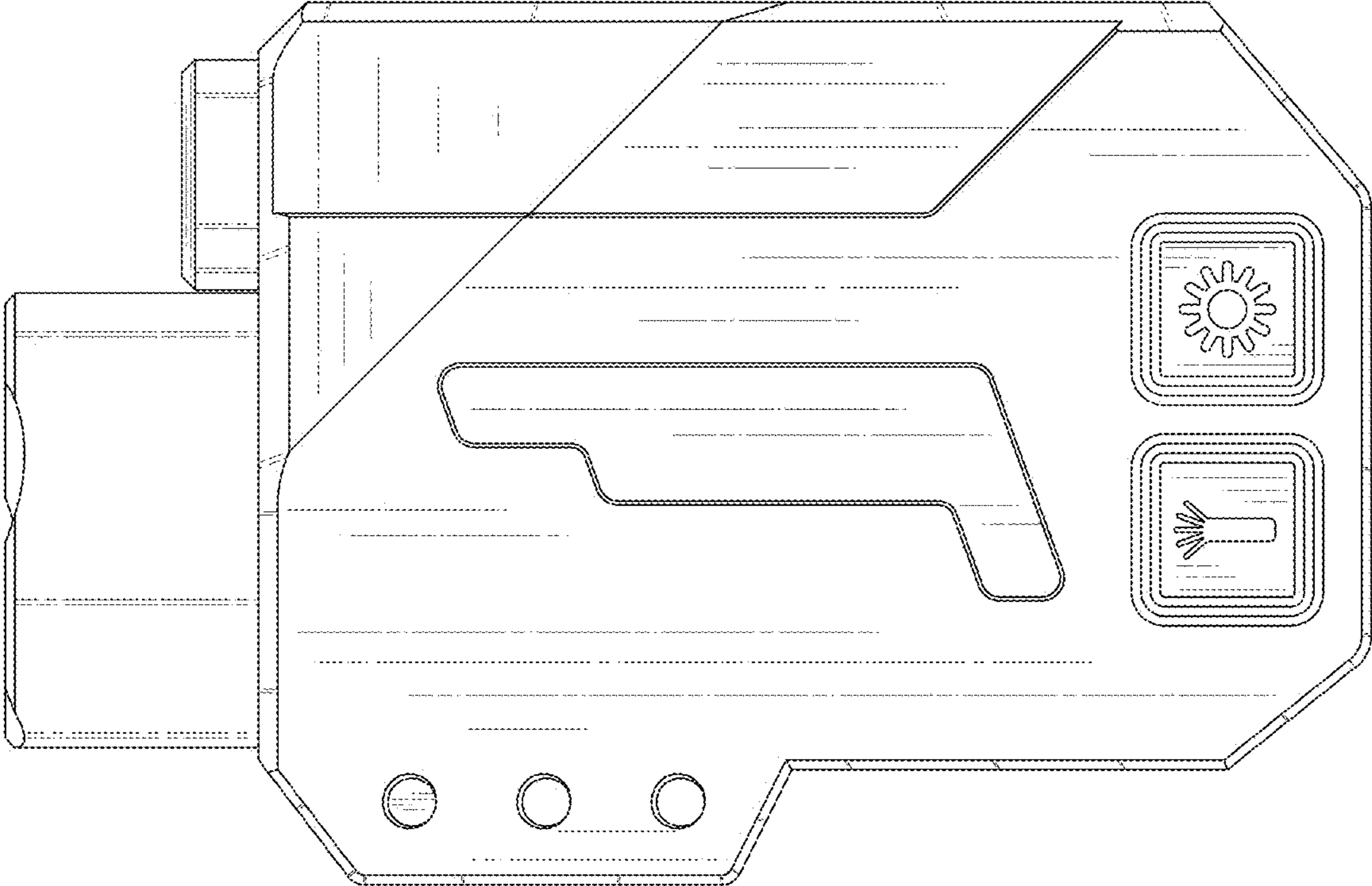


FIG.4

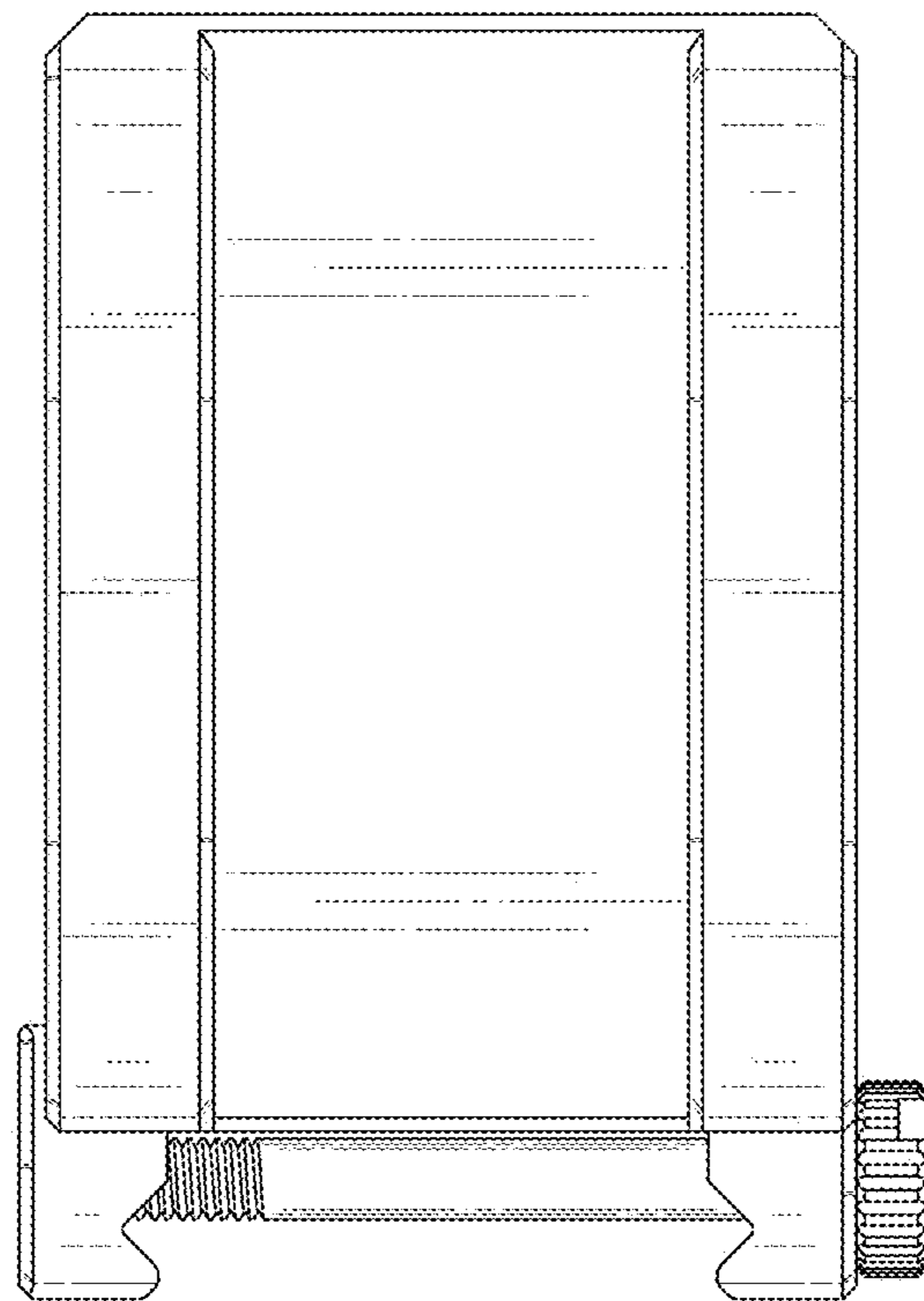


FIG.5

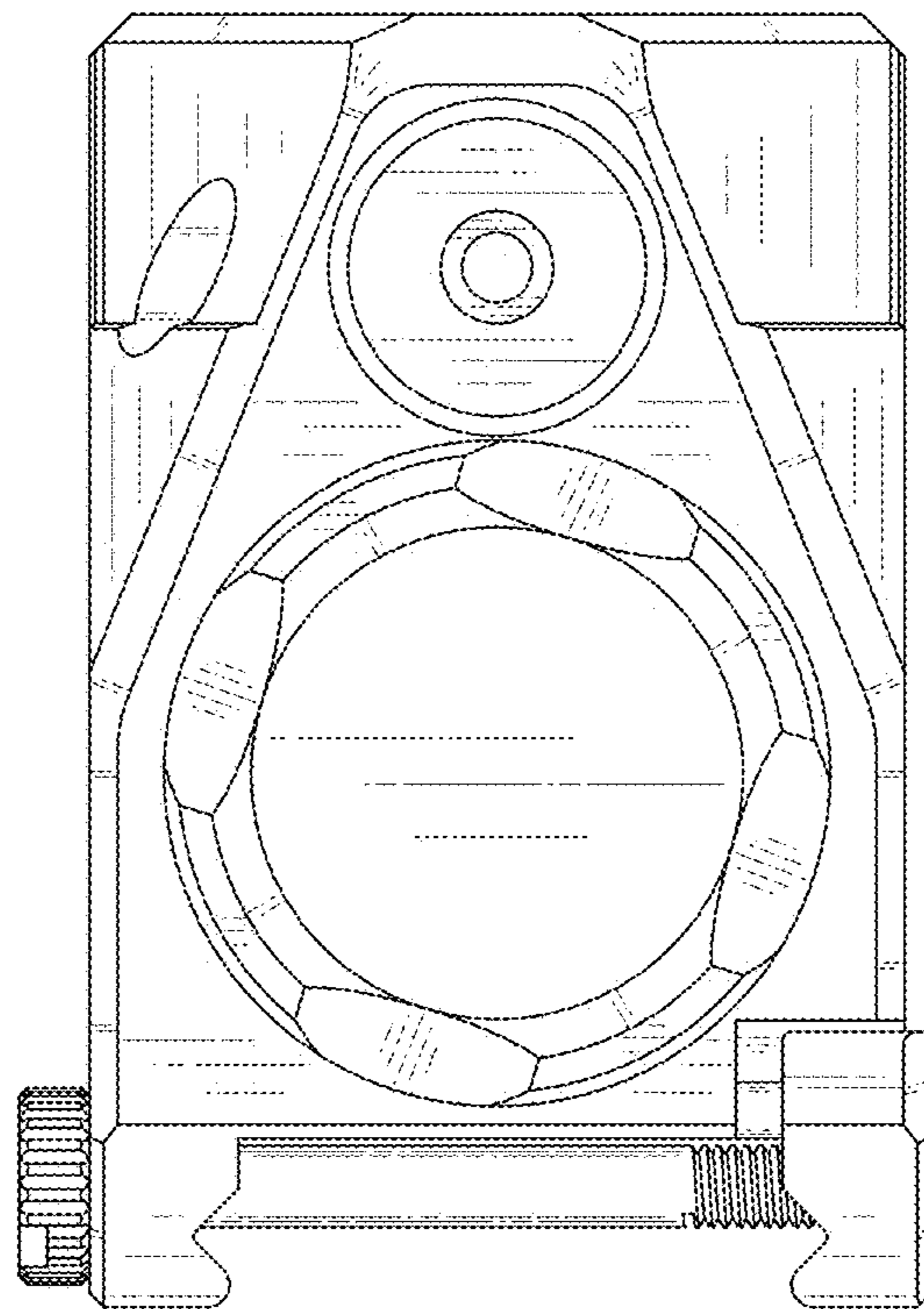


FIG.6

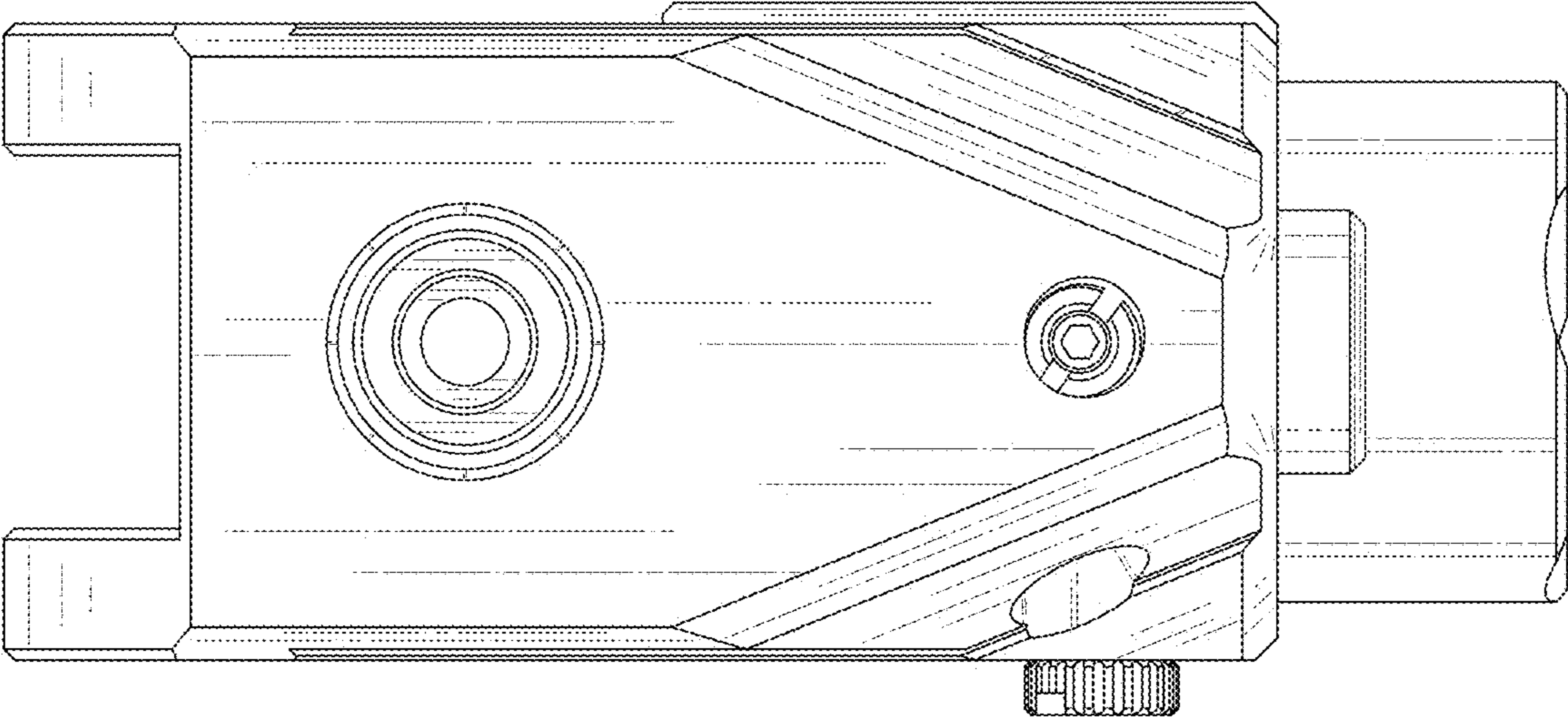


FIG. 7

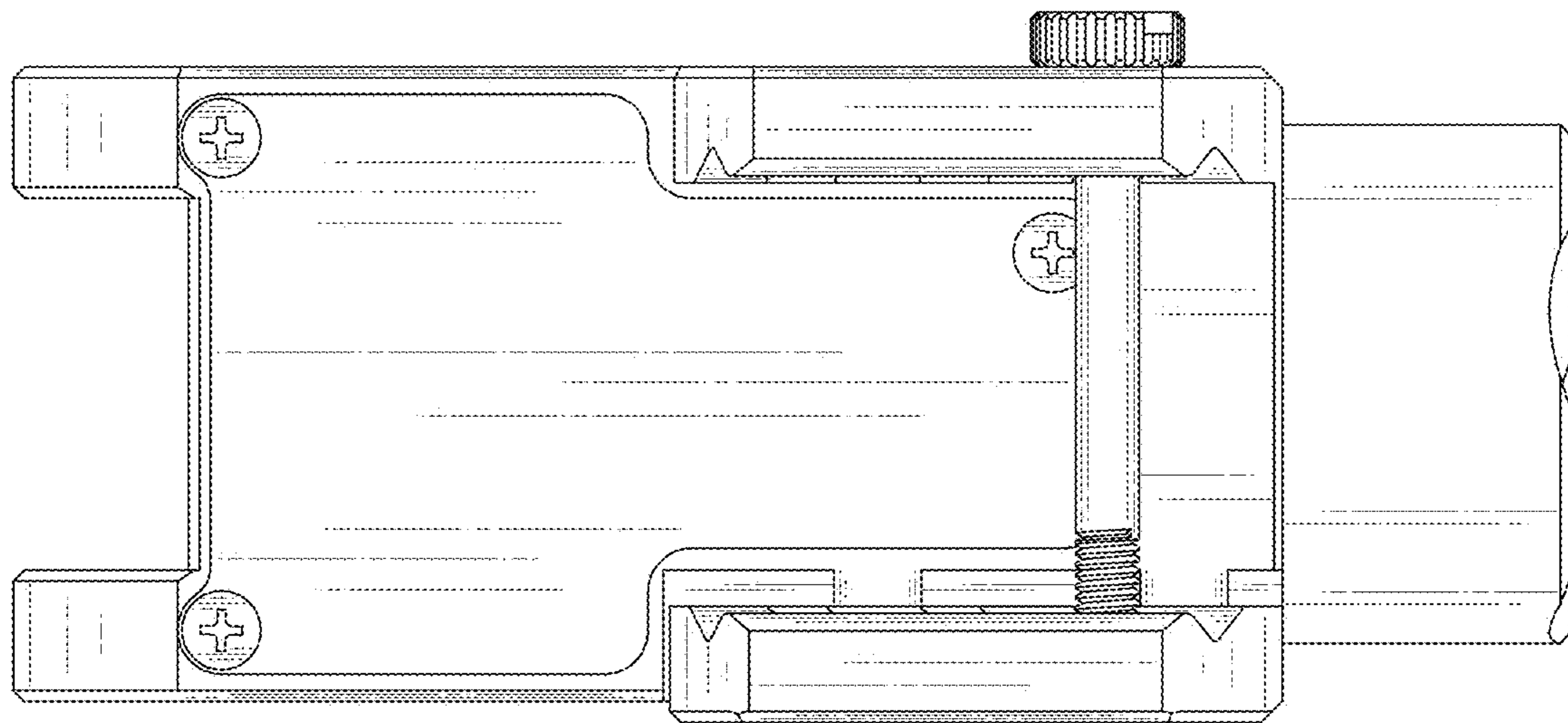


FIG.8