



US00D985708S

(12) **United States Design Patent**
Steinman

(10) **Patent No.:** **US D985,708 S**

(45) **Date of Patent:** **** *May 9, 2023**

(54) **WATER SLIDE**

(71) Applicant: **Global Pool Products**, Bad Axe, MI
(US)

(72) Inventor: **Joshua Donald Steinman**, Pigeon, MI
(US)

(*) Notice: This patent is subject to a terminal disclaimer.

(**) Term: **15 Years**

(21) Appl. No.: **29/775,041**

(22) Filed: **Mar. 20, 2021**

Related U.S. Application Data

(60) Provisional application No. 63/082,603, filed on Sep. 24, 2020, provisional application No. 62/992,224, filed on Mar. 20, 2020.

(51) **LOC (14) Cl.** **21-03**

(52) **U.S. Cl.**
USPC **D21/819**

(58) **Field of Classification Search**
USPC D21/818, 819, 814, 530
See application file for complete search history.

(56) **References Cited**

U.S. PATENT DOCUMENTS

D201,812 S *	8/1965	Bontempi	D25/41.1
D207,105 S *	3/1967	Gale	D21/818
D273,503 S *	4/1984	Mariol	D21/818
D355,692 S *	2/1995	Houry	D21/818
D363,521 S *	10/1995	Gilles	D21/818
D371,414 S *	7/1996	King	D21/821
D384,722 S *	10/1997	Siragusa, Jr.	D21/818
6,575,840 B2 *	6/2003	Hagerty	A63G 21/18 472/117

6,582,315 B1 * 6/2003 Formanski A63G 21/18
472/117

6,988,952 B1 * 1/2006 Hagerty A63G 21/18
472/117

D529,980 S * 10/2006 Rieber A63G 21/10
D21/821

2002/0098895 A1 * 7/2002 Hagerty A63G 21/18
472/117

2015/0157950 A1 * 6/2015 VanDyke A63G 21/04
472/116

2020/0398172 A1 * 12/2020 Svendsen E04H 4/144
(Continued)

OTHER PUBLICATIONS

S.R. Smith, announced 2019 [online], [site visited Jun. 14, 2022]. Available on internet, URL: https://www.amazon.com/dp/B002D48GV6/ref=emc_b_5_i?th=1 (Year: 2018).*

(Continued)

Primary Examiner — Khawaja Anwar

Assistant Examiner — Julice Seung Eun Oum

(74) *Attorney, Agent, or Firm* — Mechanicus PLLC

(57) **CLAIM**

The ornamental design for a water slide, as shown and described.

DESCRIPTION

FIG. 1 is an environmental right back perspective view of a water slide embodying my design.

FIG. 2 is a front elevational view thereof.

FIG. 3 is a left side elevational view thereof.

FIG. 4 is a right side elevational view thereof.

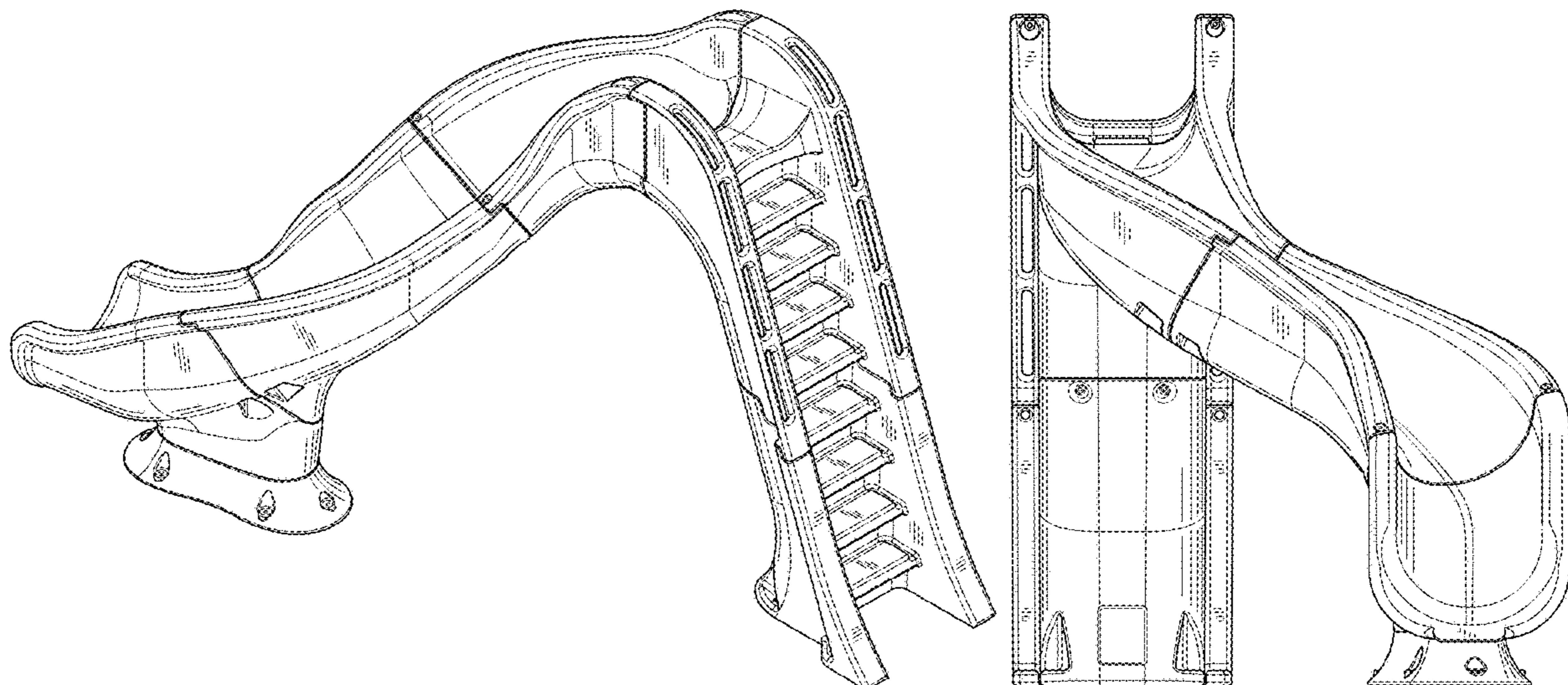
FIG. 5 is a rear elevational view thereof.

FIG. 6 is a top plan view thereof; and,

FIG. 7 is a bottom view thereof.

The broken lines showing in FIG. 7 form no part of the claimed design.

1 Claim, 6 Drawing Sheets



(56)

References Cited

U.S. PATENT DOCUMENTS

2021/0291064 A1* 9/2021 Steinman A63G 31/007

OTHER PUBLICATIONS

S.R. Smith, announced 2011 [online], [site visited Jun. 14, 2022]. Available on internet, URL:Turbo Twister Pool Slide—S.R. Smith—AmeriMerc.com (Year: 2011).*

S.R. Smith, announced 2008 [online], [site visited Jun. 14, 2022]. Available on internet, URL:Swimming Pool Slides | TurboTwister (Year: 2008).*

SR Smith Cyclone Pool Slide, Web Page: <<https://www.srsmith.com/en-us/products/pool-slides/cyclone/>> retrieved from Internet Nov. 2021.

SR Smith Typhoon Pool Slide, Web Page: <<https://www.srsmith.com/en-us/products/pool-slides/typhoon/>> retrieved from Internet Nov. 2021.

SR Smith Helix Pool Slide, Web Page: <<https://www.srsmith.com/en-us/products/pool-slides/helix2/>> retrieved from Internet Nov. 2021.

* cited by examiner

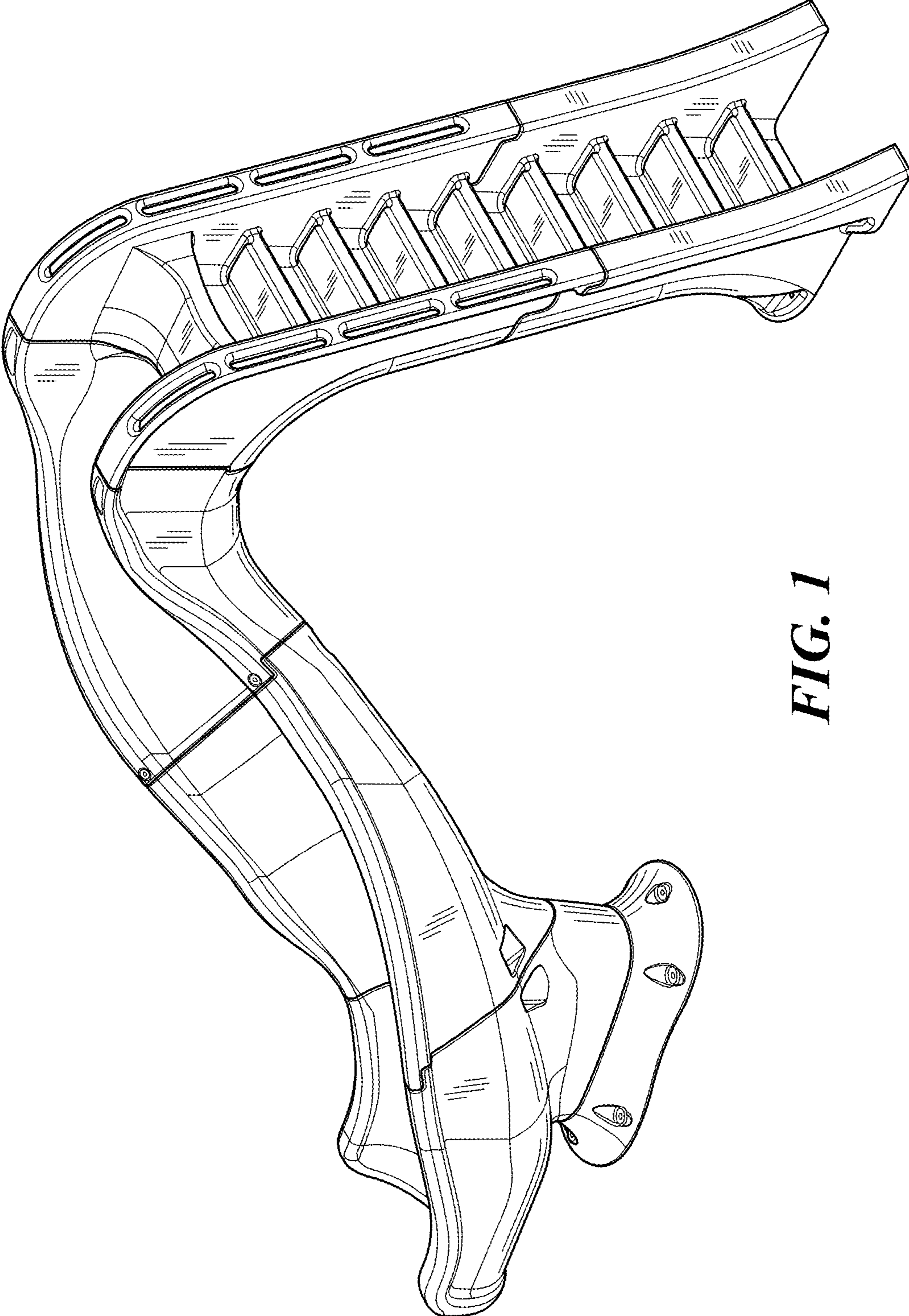


FIG. 1

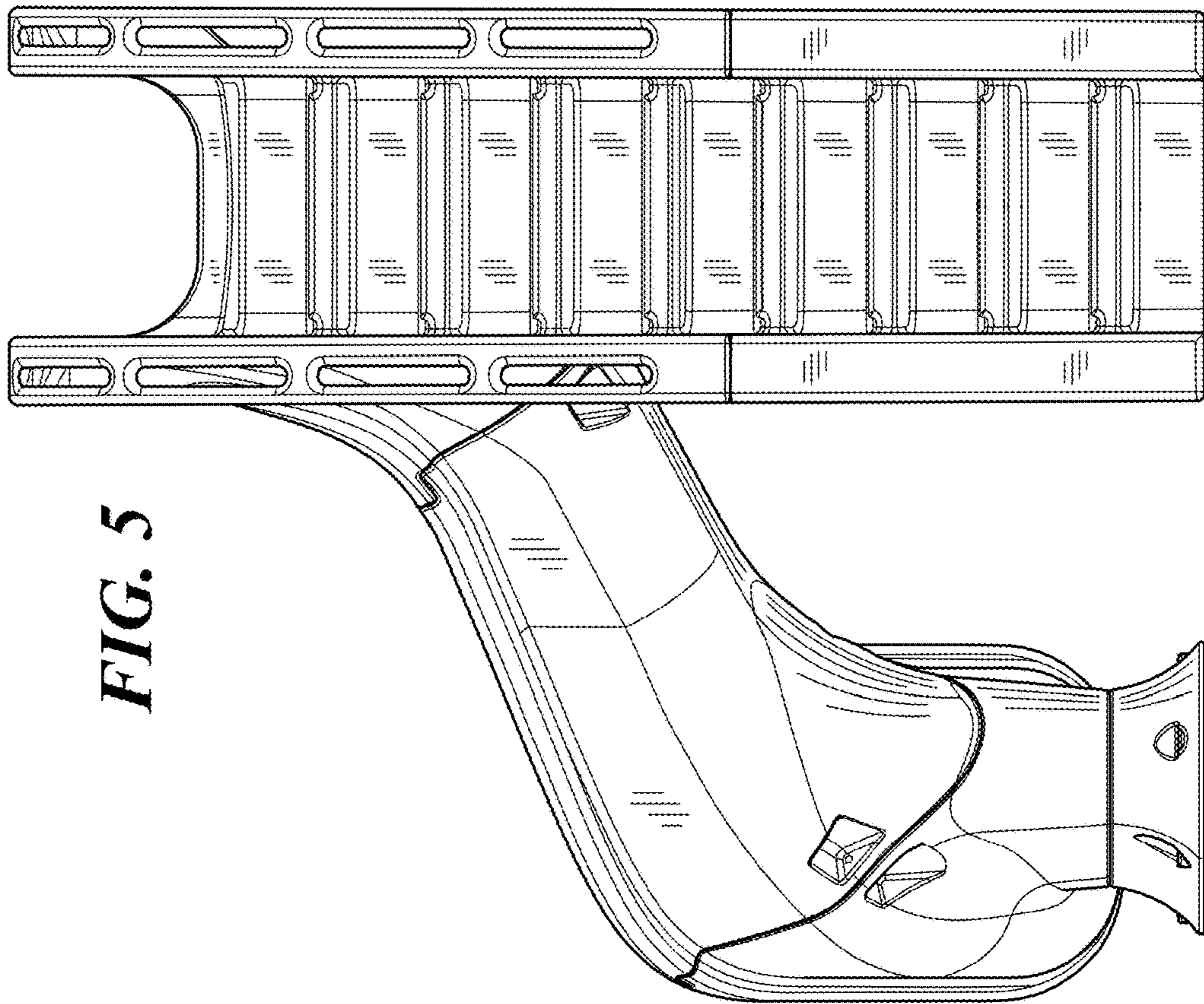


FIG. 5

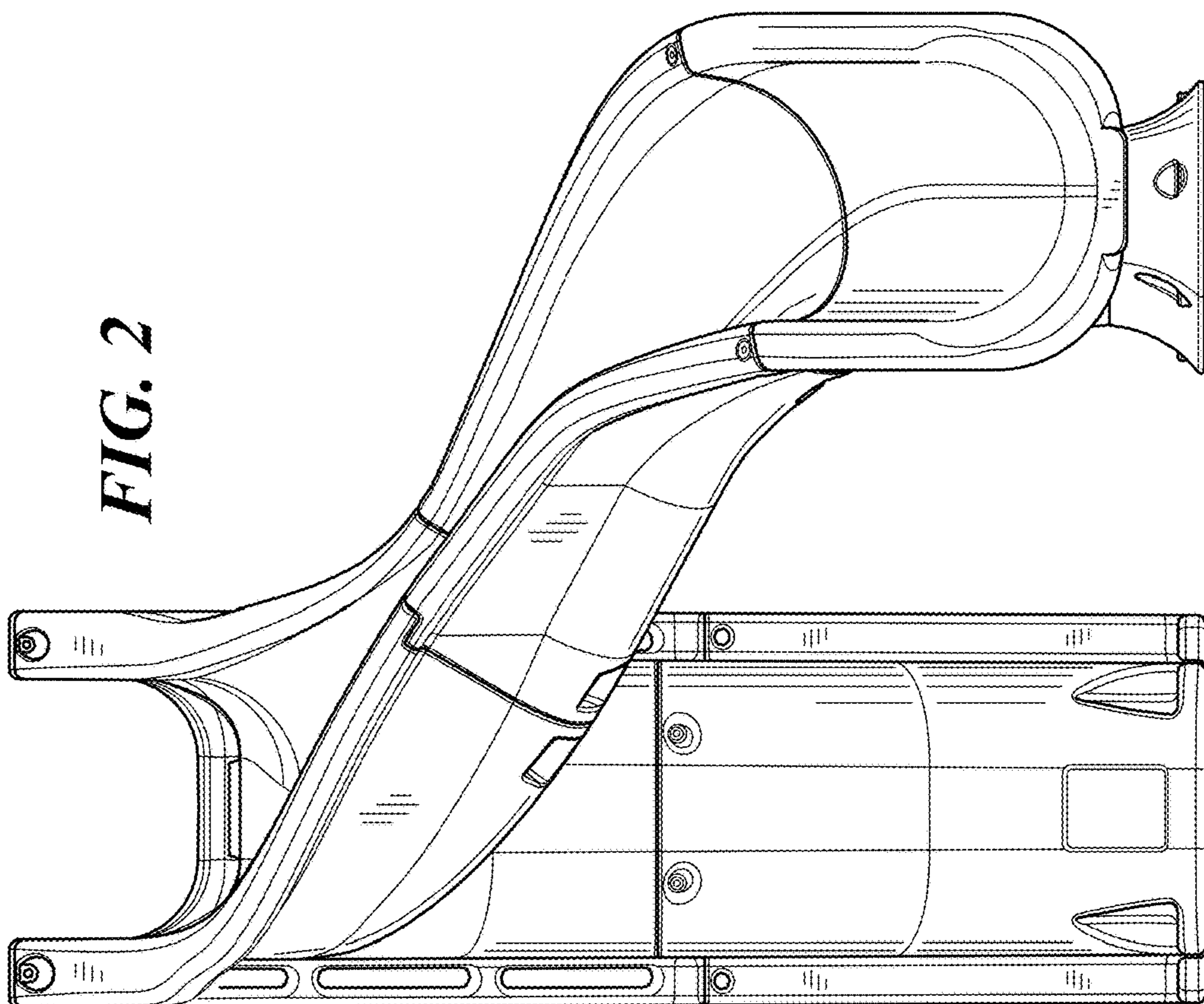
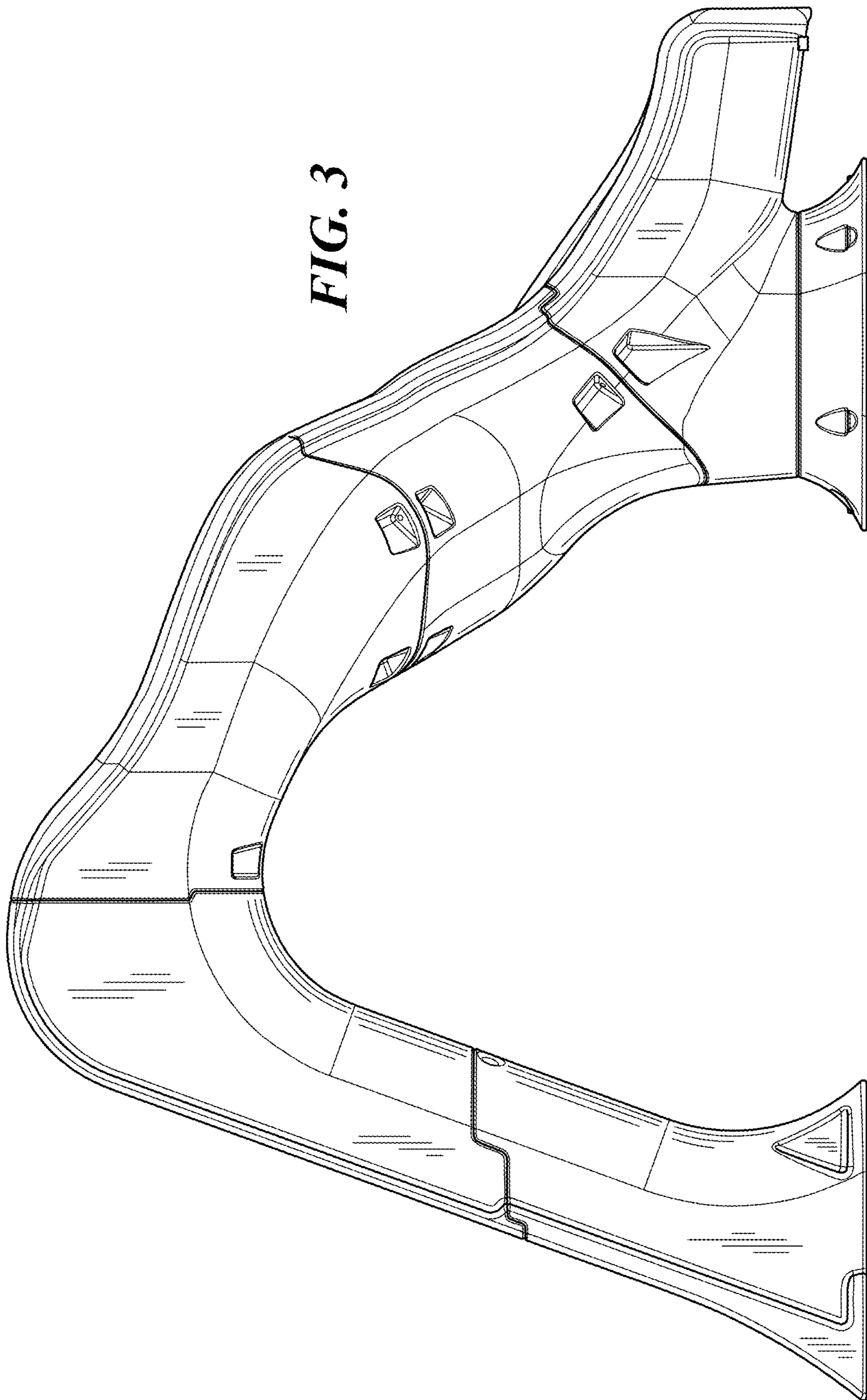


FIG. 2



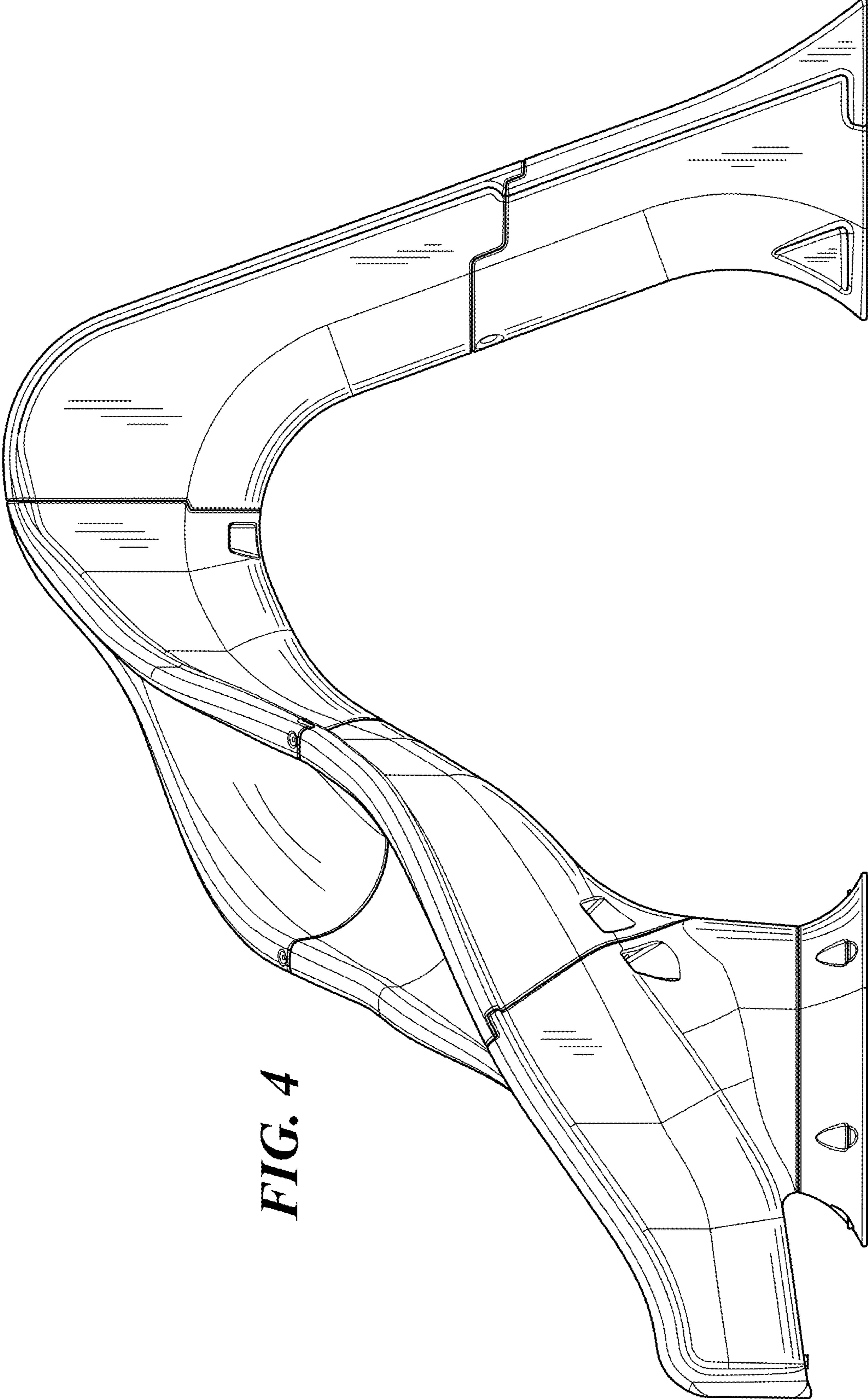


FIG. 4

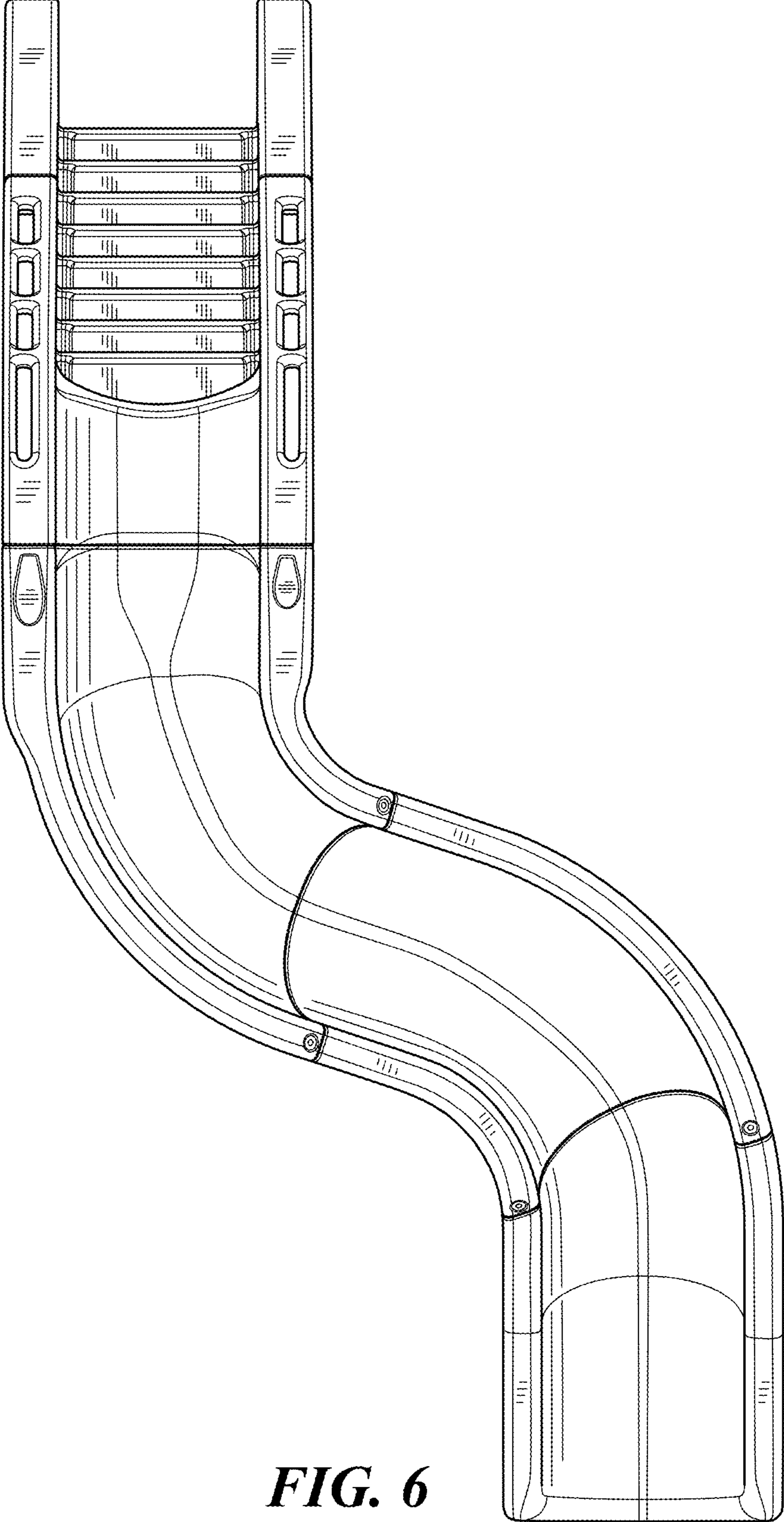


FIG. 6

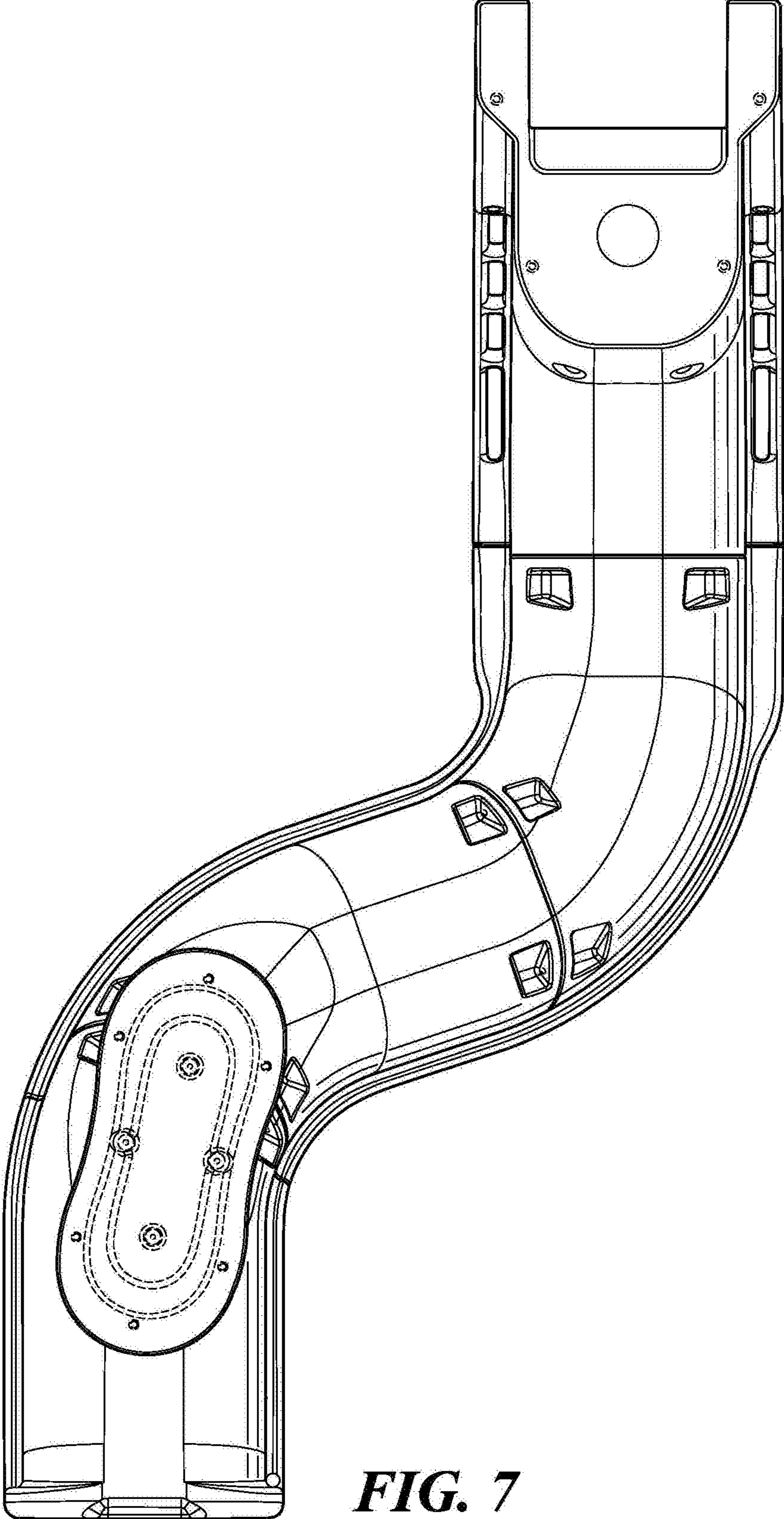


FIG. 7