



US00D985707S

(12) **United States Design Patent**
Jacobs

(10) **Patent No.:** **US D985,707 S**

(45) **Date of Patent:** **** May 9, 2023**

- (54) **WAVE POOL**
- (71) Applicant: **Louise Jacobs**, Aiken, SC (US)
- (72) Inventor: **Louise Jacobs**, Aiken, SC (US)
- (**) Term: **15 Years**
- (21) Appl. No.: **29/800,187**
- (22) Filed: **Jul. 20, 2021**
- (51) **LOC (14) Cl.** **21-03**
- (52) **U.S. Cl.**
USPC **D21/815**; D21/803
- (58) **Field of Classification Search**
USPC D21/801, 802, 803, 809, 815, 819;
472/128; 482/55; 446/153
CPC ... E04H 4/0012; E04H 4/0025; E04H 4/0018;
E04H 4/00; E04H 4/0006; E04H 4/0031;
E04H 4/0037; A01K 13/001; A47K 3/06;
A47K 3/064; A47K 3/062; A47K 3/10
See application file for complete search history.

(56) **References Cited**

U.S. PATENT DOCUMENTS

- 1,961,061 A * 5/1934 McCulloch A47K 3/06
52/2.21
- 2,443,440 A * 6/1948 Octavio E04H 4/0025
383/3
- 2,616,096 A * 11/1952 Hasselquist E04H 4/0025
4/506
- 3,373,450 A * 3/1968 Brooks E04H 4/0018
4/488
- 3,486,289 A * 12/1969 Lavack E04H 4/0018
52/741.12
- 3,668,715 A * 6/1972 Chase E04H 4/0037
472/117
- 3,813,702 A * 6/1974 Diamond A63G 11/00
446/153
- 3,908,205 A * 9/1975 Chase E04H 4/0037
472/117
- 4,860,914 A * 8/1989 Derni E04H 4/0031
220/4.16

- 5,615,881 A * 4/1997 Potter A63F 9/305
273/140
- 5,643,154 A 7/1997 Awbrey
- D386,566 S * 11/1997 Zankow D23/284
- 6,019,547 A 2/2000 Hill
- 7,264,580 B2 8/2007 Lu
- D564,604 S * 3/2008 Mikail D21/688
- 8,733,295 B2 * 5/2014 Lipscomb A01K 15/025
119/707
- D786,382 S * 5/2017 Lin D21/815
- D958,930 S * 7/2022 Mjelde D23/209
- 2004/0018924 A1 * 1/2004 Szydowski A63B 22/18
482/146

(Continued)

OTHER PUBLICATIONS

House Beautiful, Polygroup Pet Pool, published Jul. 26, 2019 [online]. Retrieved from internet (Date: Dec. 14, 2022), <https://www.housebeautiful.com/lifestyle/kids-pets/a28510004/summer-pet-safety-tips/> (Year: 2019).*

Primary Examiner — Katherine A Holbrow

Assistant Examiner — Riya Salil Kamat

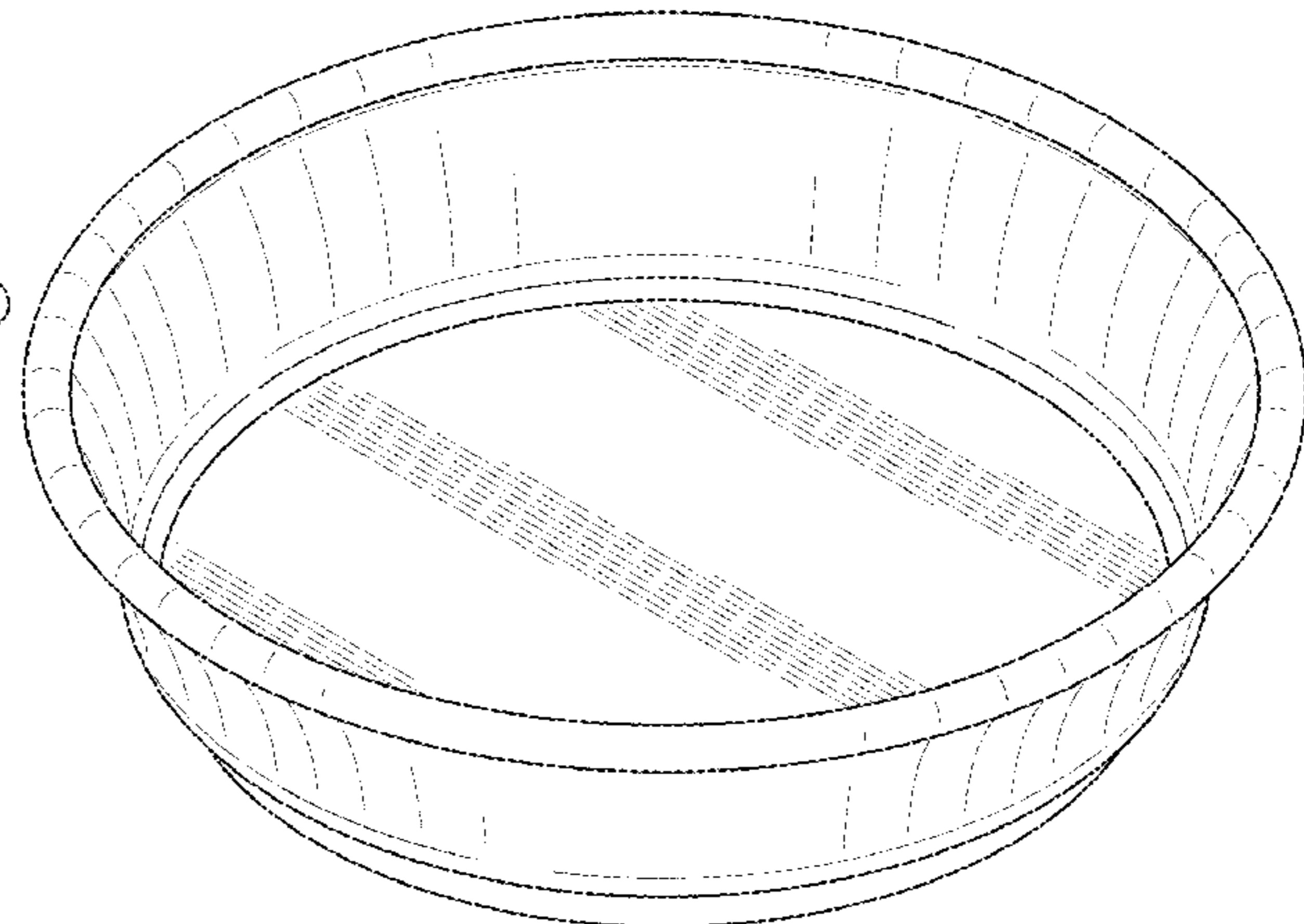
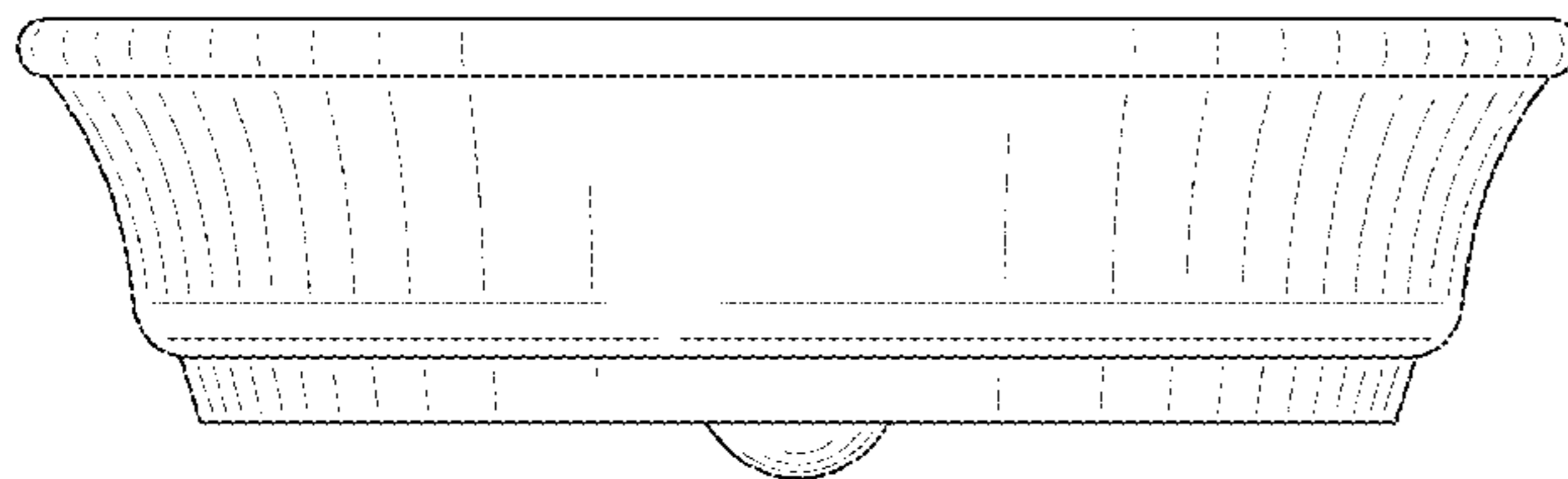
(57) **CLAIM**

I claim the ornamental design for a wave pool, as shown and described.

DESCRIPTION

FIG. 1 is a front view of the wave pool.
FIG. 2 is a rear view of the claimed design.
FIG. 3 is a left side view of the claimed design.
FIG. 4 is a right side view of the claimed design.
FIG. 5 is a top view of the claimed design.
FIG. 6 is a bottom view of the claimed design.
FIG. 7 is a perspective view of the claimed design; and,
FIG. 8 is a cross-sectional view along line 8-8 in FIG. 5.
The broken lines in FIG. 8 are environmental matter, and form no part of the claimed design.

1 Claim, 5 Drawing Sheets



(56)

References Cited

U.S. PATENT DOCUMENTS

2004/0198573 A1* 10/2004 Brydson A63B 21/0004
482/146
2015/0107015 A1* 4/2015 Ng E04H 4/06
4/504

* cited by examiner

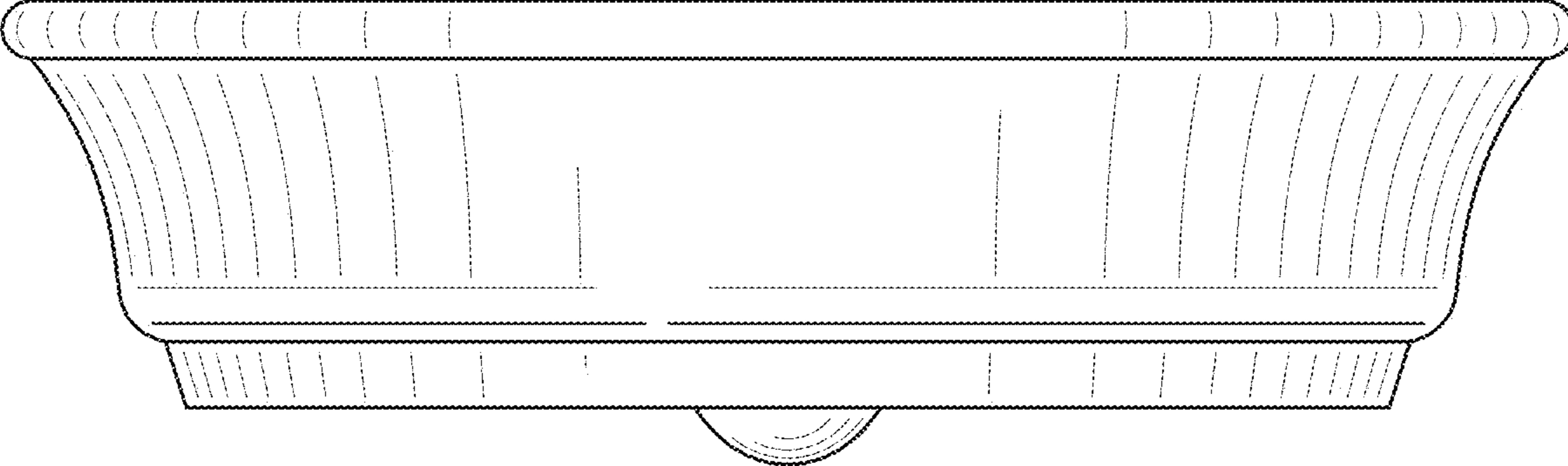


FIG. 1

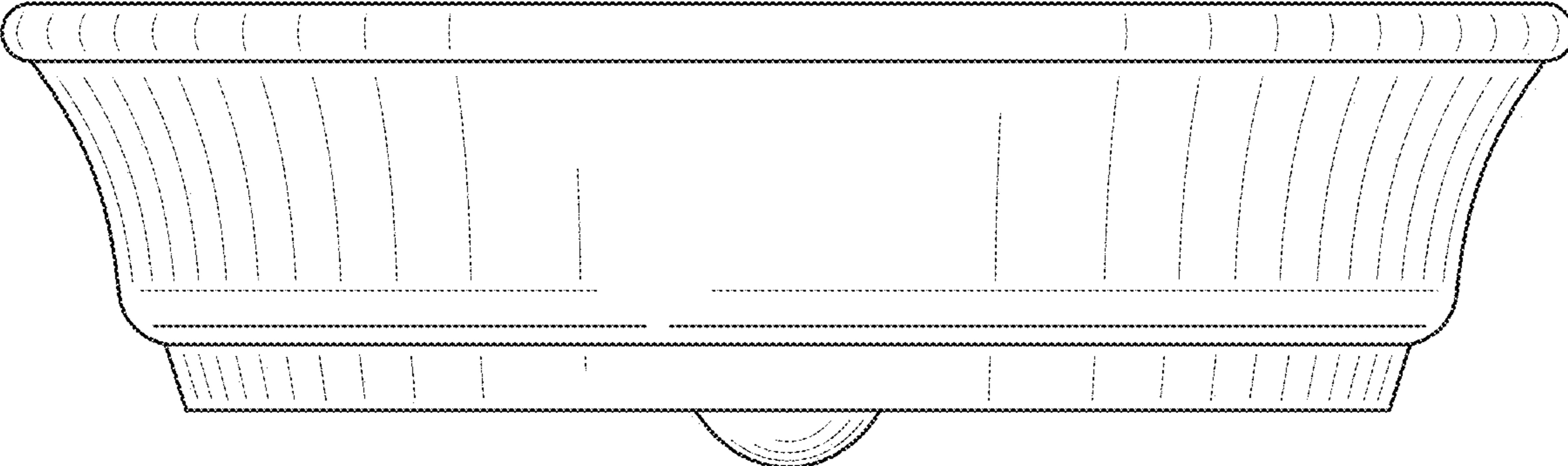


FIG. 2

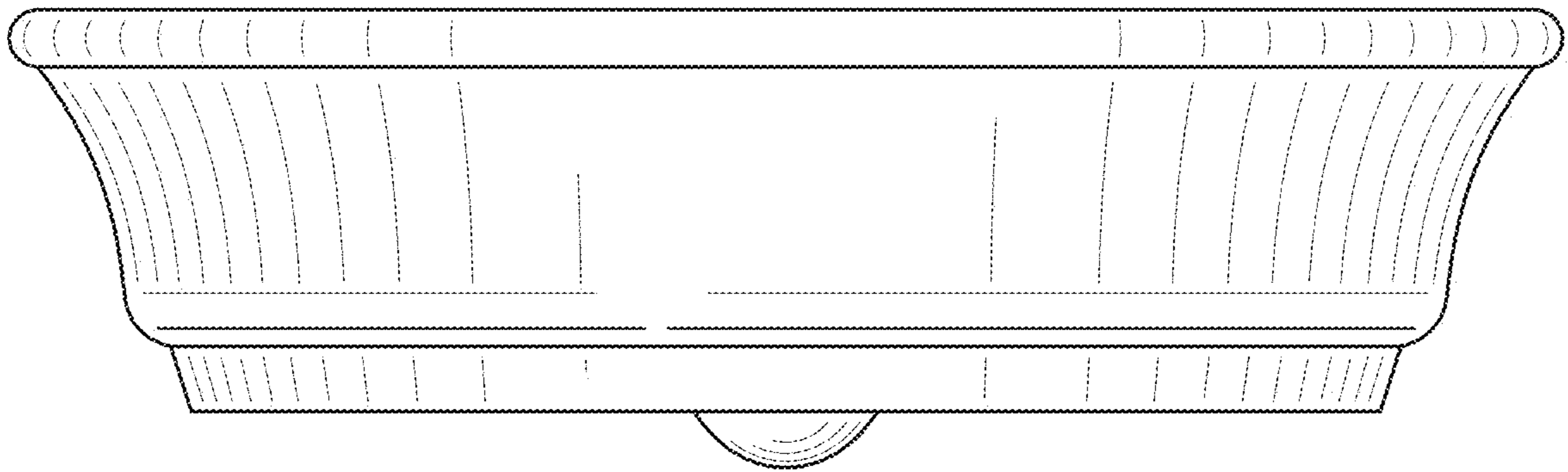


FIG. 3

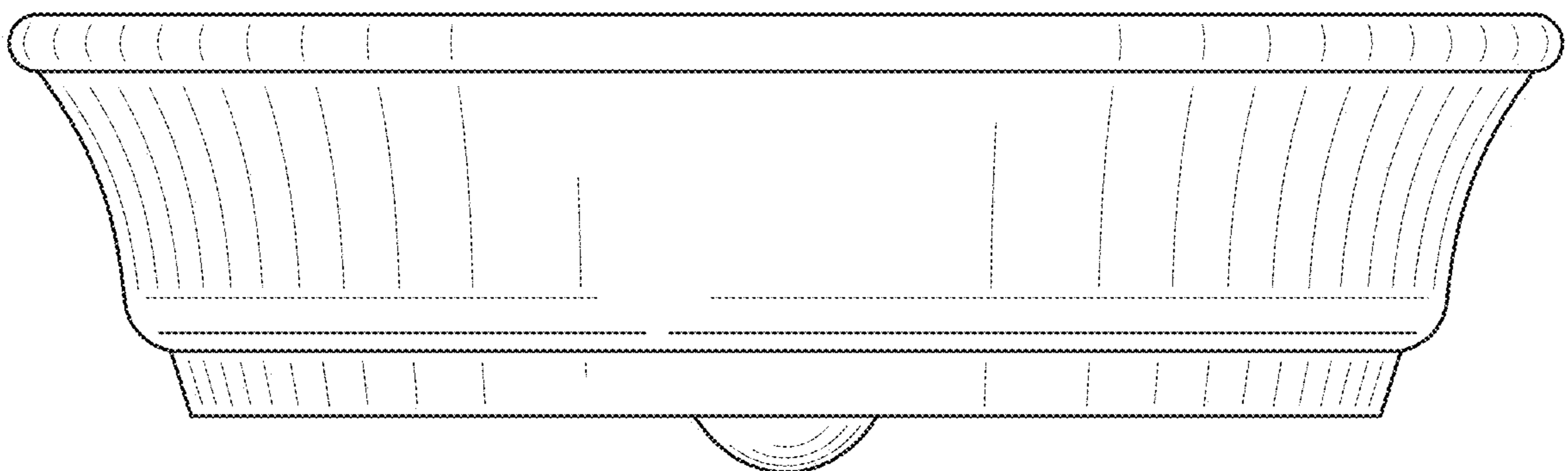


FIG. 4

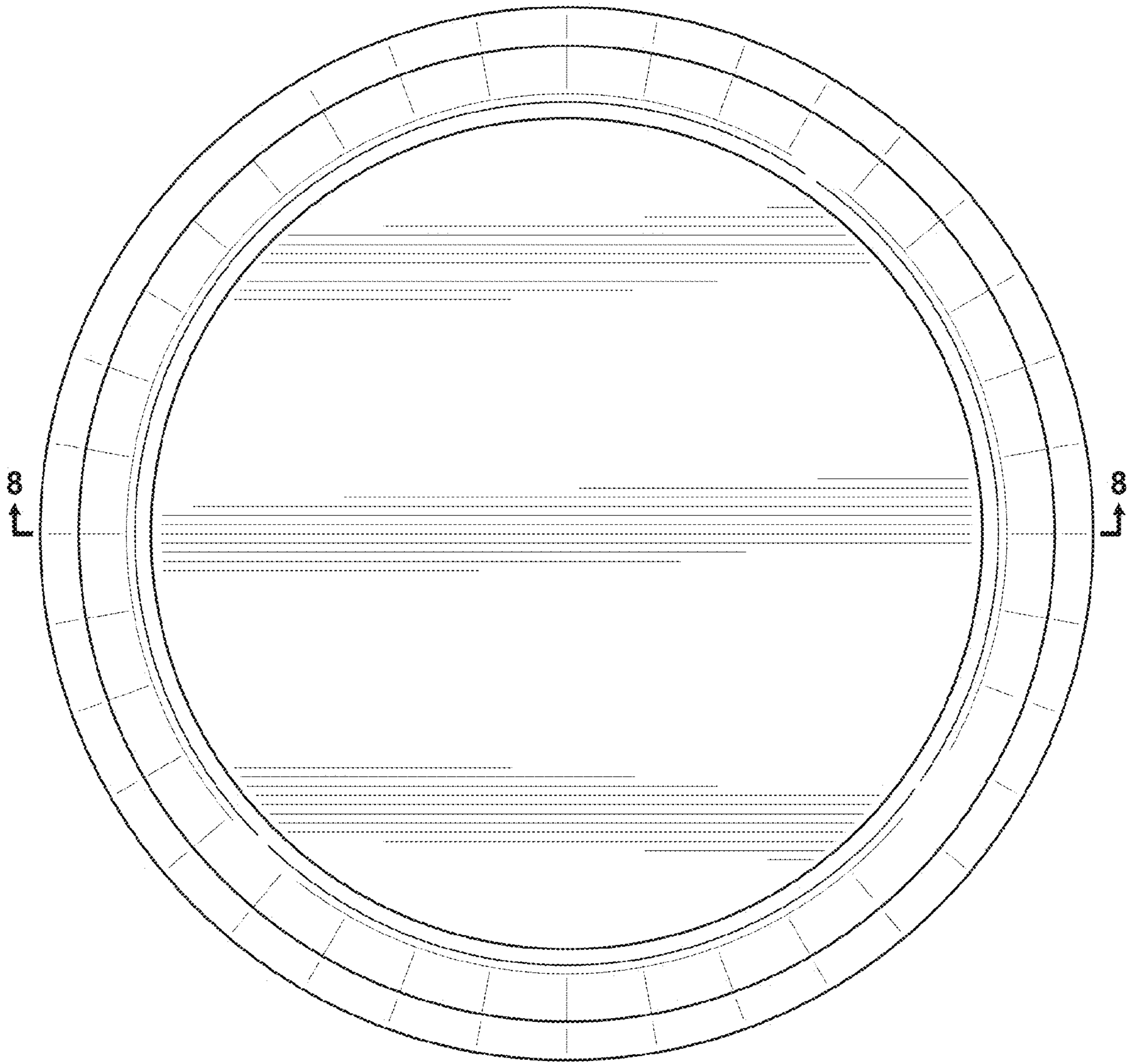


FIG. 5

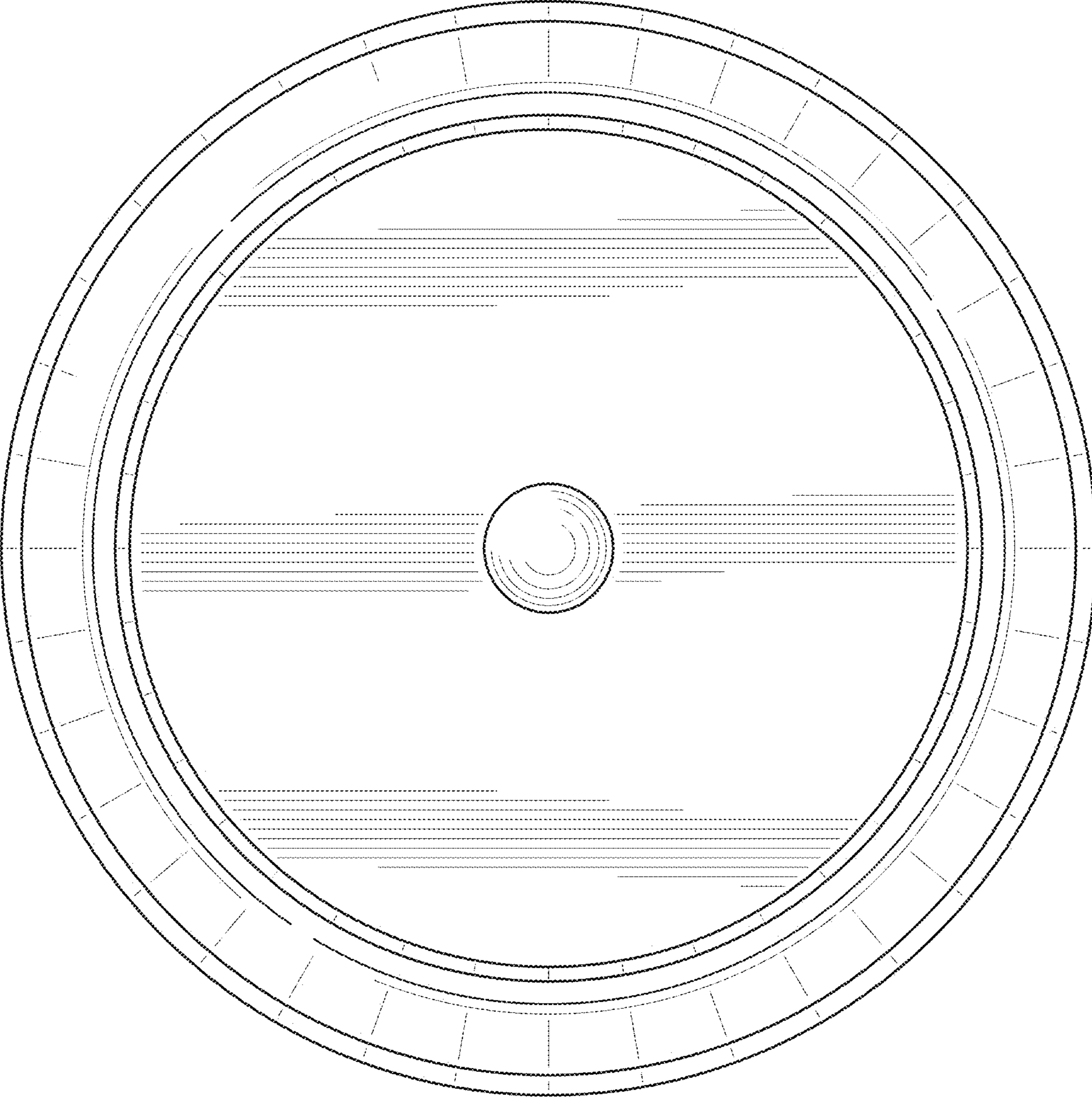


FIG. 6

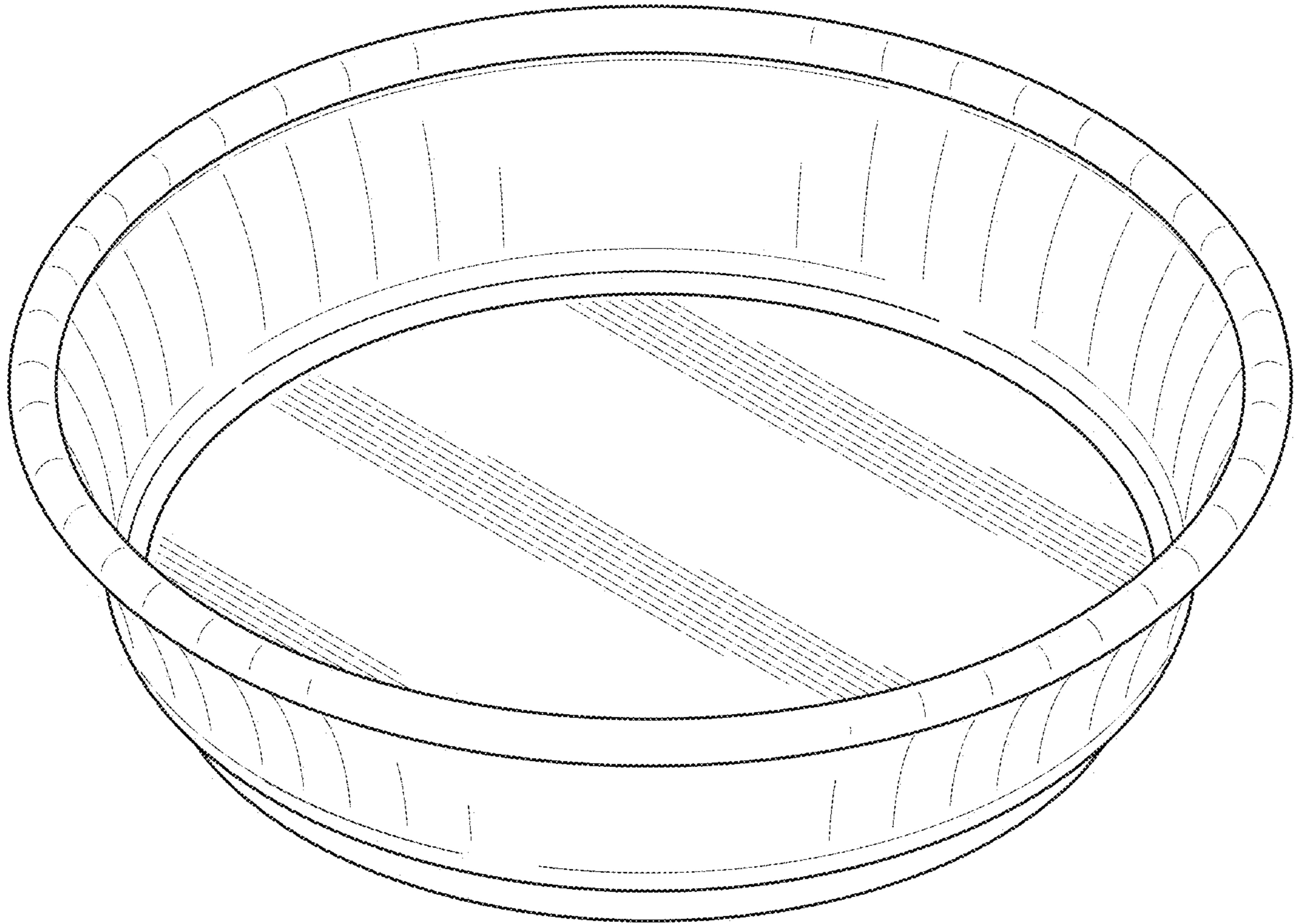


FIG. 7

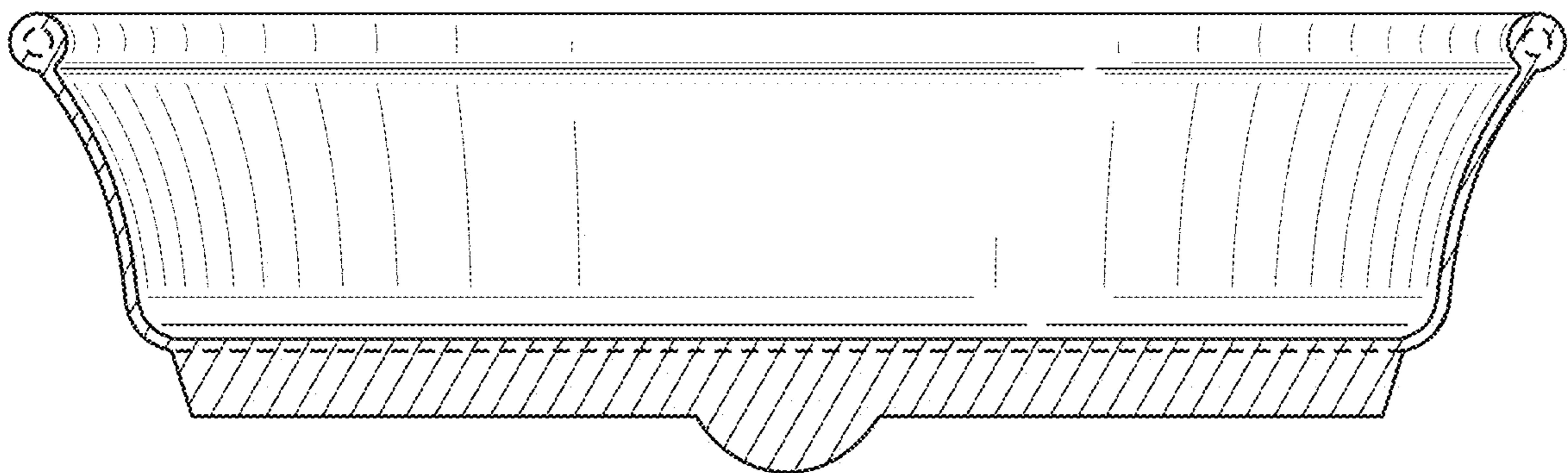


FIG. 8