



US00D985705S

(12) **United States Design Patent**
Zhang

(10) **Patent No.:** **US D985,705 S**

(45) **Date of Patent:** **** May 9, 2023**

(54) **CHILDREN'S PLAY GYM**

(71) Applicant: **QITELE GROUP CO., LTD.**,
Wenzhou (CN)

(72) Inventor: **Jinfei Zhang**, Wenzhou (CN)

(73) Assignee: **QITELE GROUP CO., LTD.**,
Wenzhou (CN)

(**) Term: **15 Years**

(21) Appl. No.: **29/771,672**

(22) Filed: **Feb. 24, 2021**

(51) **LOC (14) Cl.** **21-03**

(52) **U.S. Cl.**
USPC **D21/814**

(58) **Field of Classification Search**
USPC D21/814, 826, 519, 530, 398, 412, 421,
D21/474, 475, 494, 501, 502, 504, 505,
D21/511

See application file for complete search history.

(56) **References Cited**

U.S. PATENT DOCUMENTS

2,850,306	A *	9/1958	Gordon	A63B 9/00 248/163.2
3,859,961	A *	1/1975	Willinger	A01K 1/03 119/416
3,895,796	A *	7/1975	Pestalozzi	A63B 9/00 273/DIG. 7
5,205,748	A *	4/1993	Petersheim	A63B 9/00 434/258
D357,299	S *	4/1995	Laing	D21/826
5,425,677	A *	6/1995	Gleeson	A63B 9/00 472/136
5,695,407	A *	12/1997	Dunn, Jr.	A63B 19/04 472/95
5,941,041	A *	8/1999	Robinson	E04C 2/328 482/37
6,527,645	B1 *	3/2003	Cline	A63B 9/00 472/117

11,338,163	B2 *	5/2022	Huffman	A63B 9/00
2007/0149088	A1 *	6/2007	Keller, Jr.	A01M 31/004 446/202
2018/0029287	A1 *	2/2018	Astle	B29C 49/0031

OTHER PUBLICATIONS

ECR4kids, announced 2015[online], [site visited Oct. 27, 2022]. Available on internet, URL:https://www.amazon.com/ECR4Kids-Gus-Climb-N-Crawl-Caterpillar-Structure/dp/B00T5HMII6/ref(Year: 2015).*

* cited by examiner

Primary Examiner — Khawaja Anwar

Assistant Examiner — Julice Seung Eun Oum

(74) *Attorney, Agent, or Firm* — Christensen, Fonder, Dardi & Herbert PLLC

(57) **CLAIM**

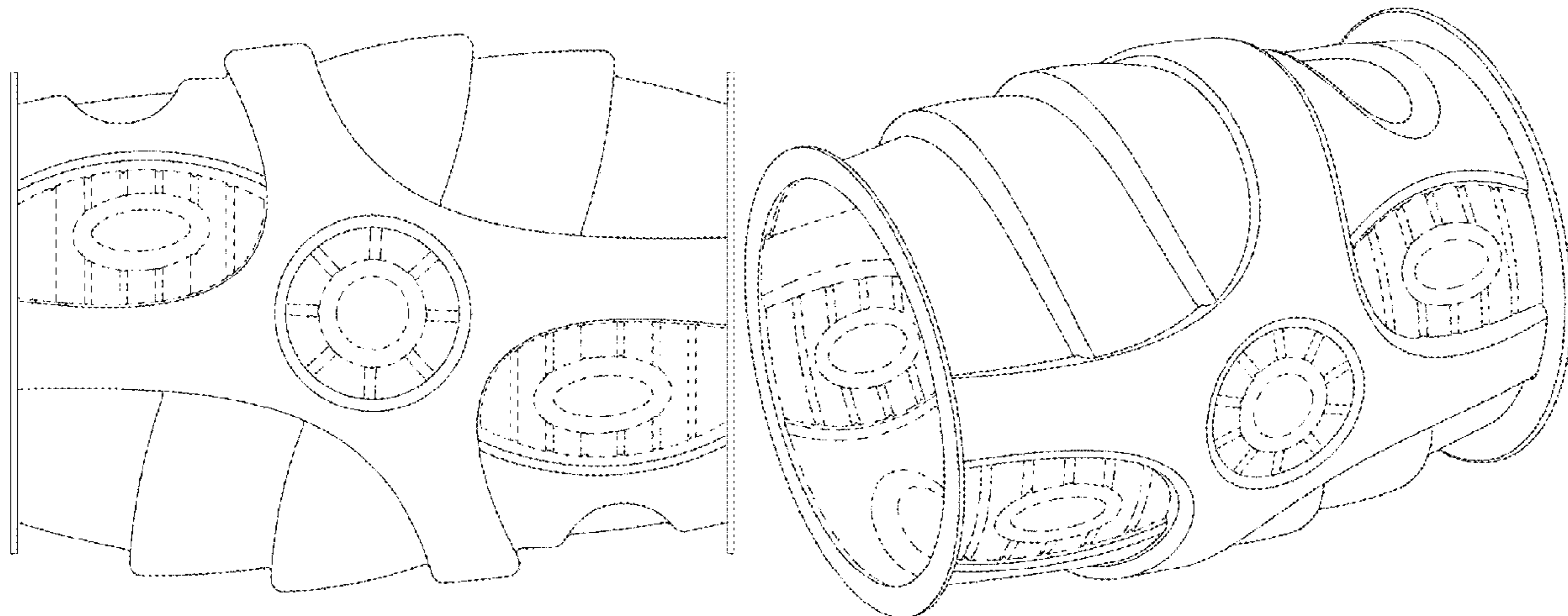
The ornamental design for a children's play gym, as shown and described.

DESCRIPTION

FIG. 1 is a front view of a children's play gym; FIG. 2 is a rear view of the children's play gym of FIG. 1; FIG. 3 is a right-side view of the children's play gym of FIG. 1; FIG. 4 is a left-side view of the children's play gym of FIG. 1; FIG. 5 is a bottom view of the children's play gym of FIG. 1; FIG. 6 is a top view of the children's play gym of FIG. 1; and, FIG. 7 is a perspective view of the children's play gym of FIG. 1.

The figures include broken lines that are directed to environment and are for illustrative purposes only; the broken lines form no part of the claimed design.

1 Claim, 7 Drawing Sheets



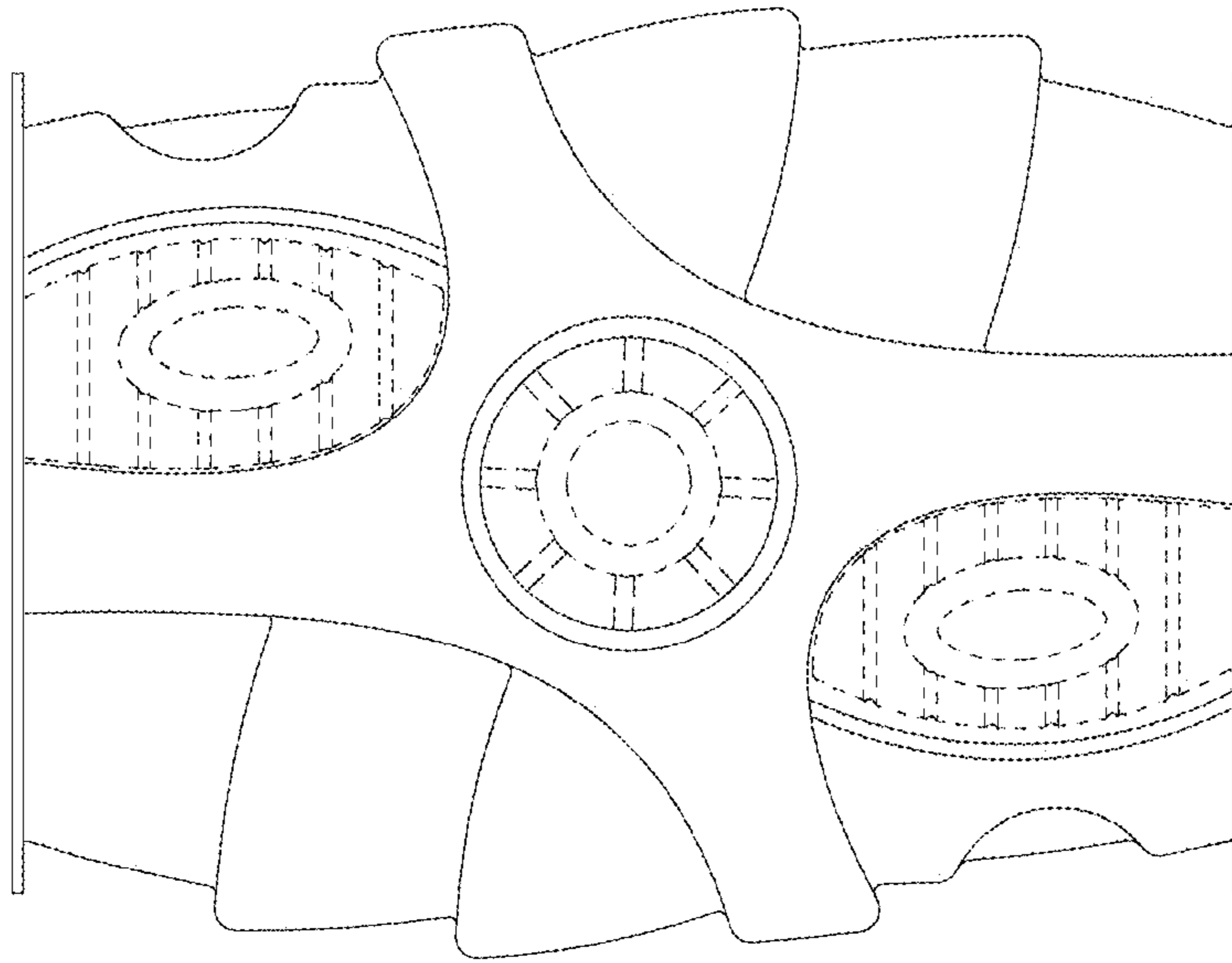


FIG. 1

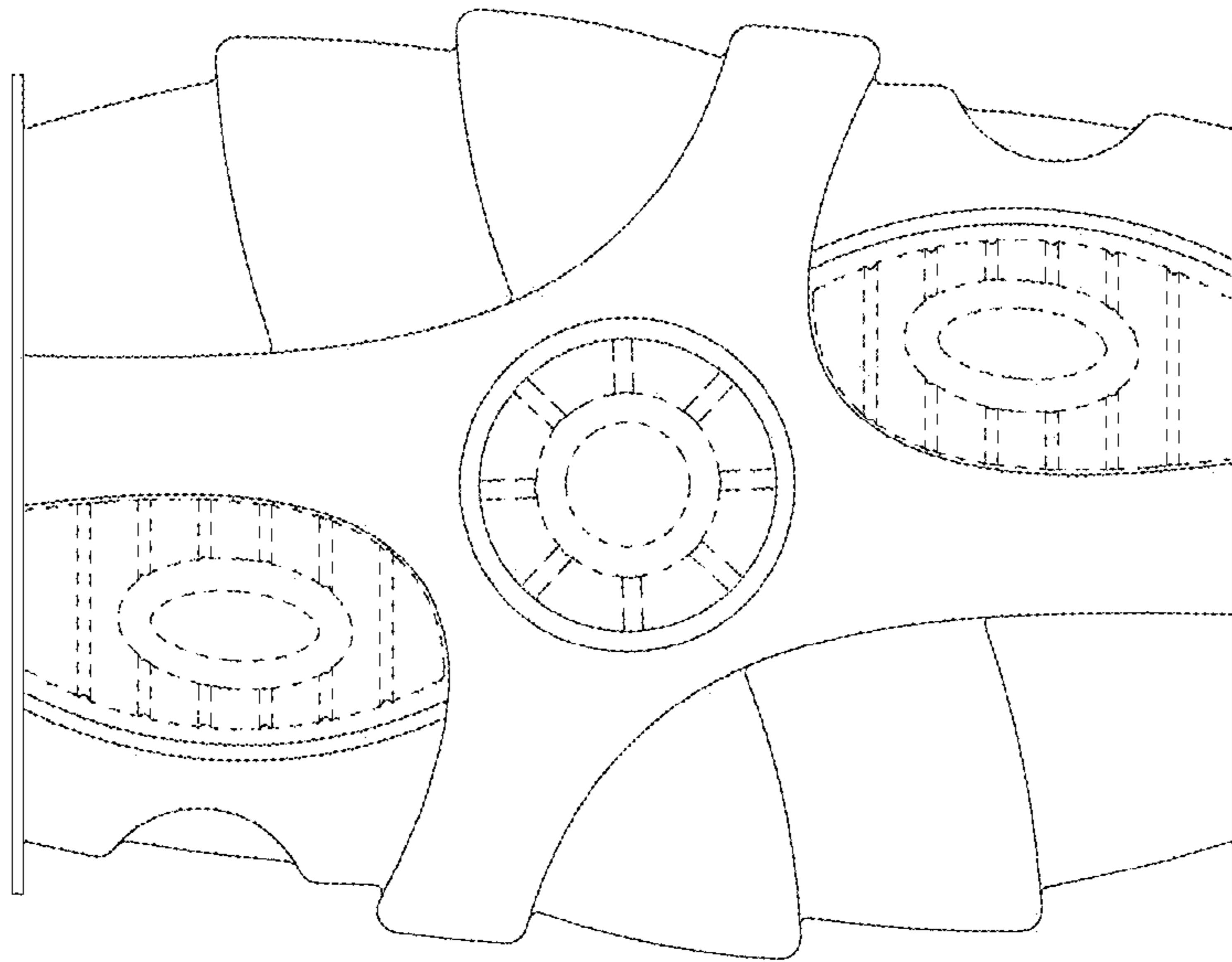


FIG. 2

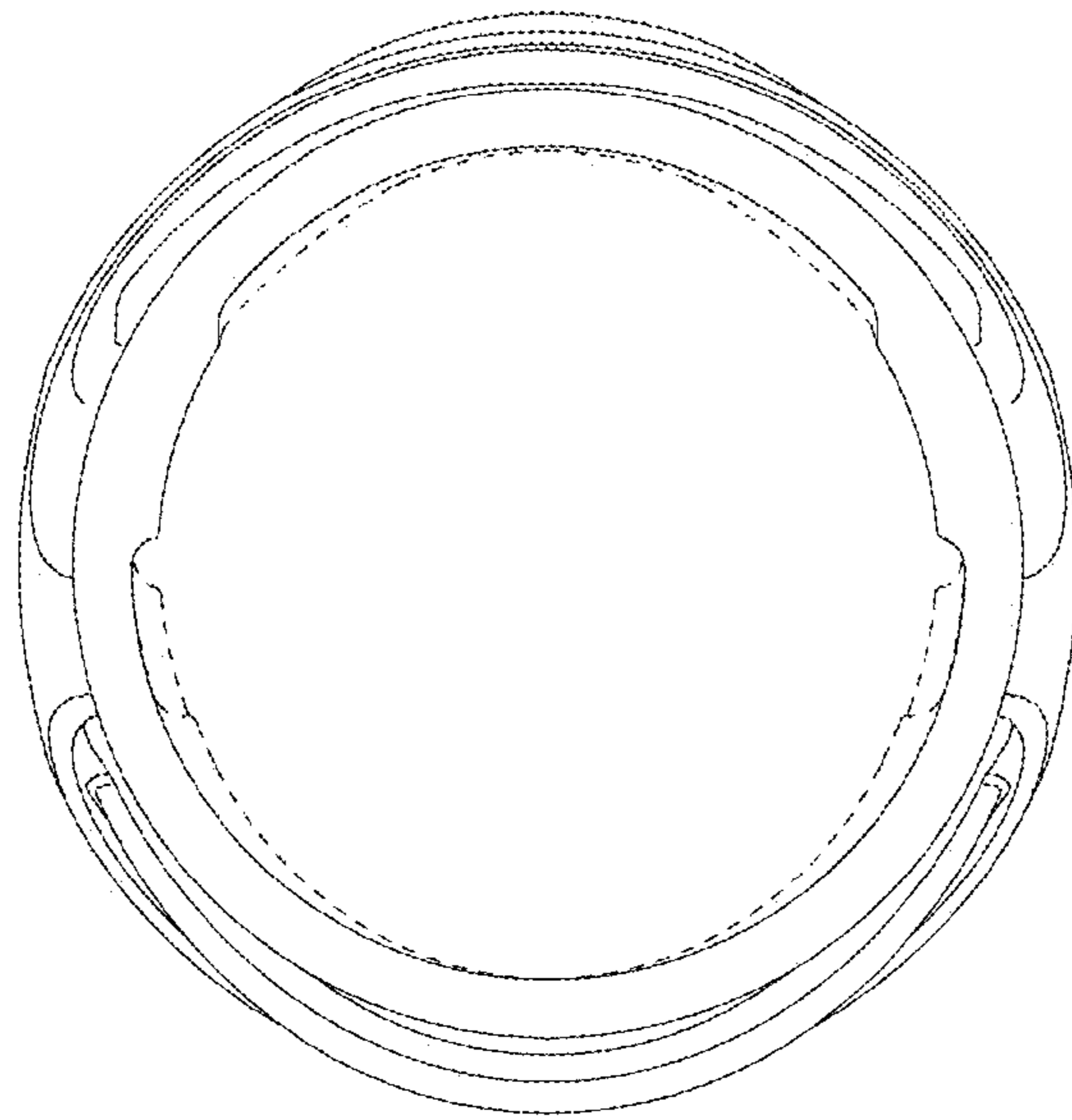


FIG. 3

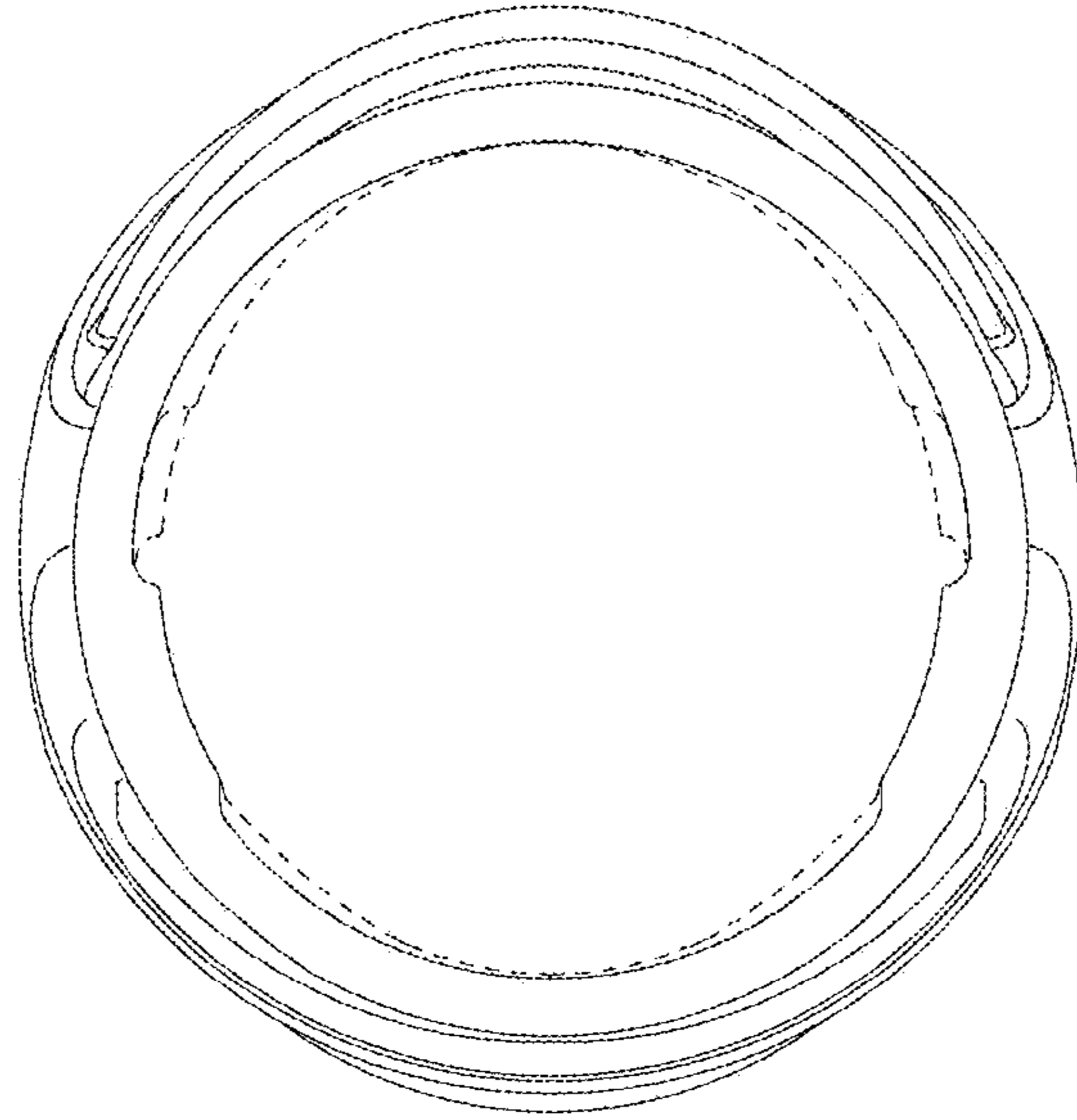


FIG. 4

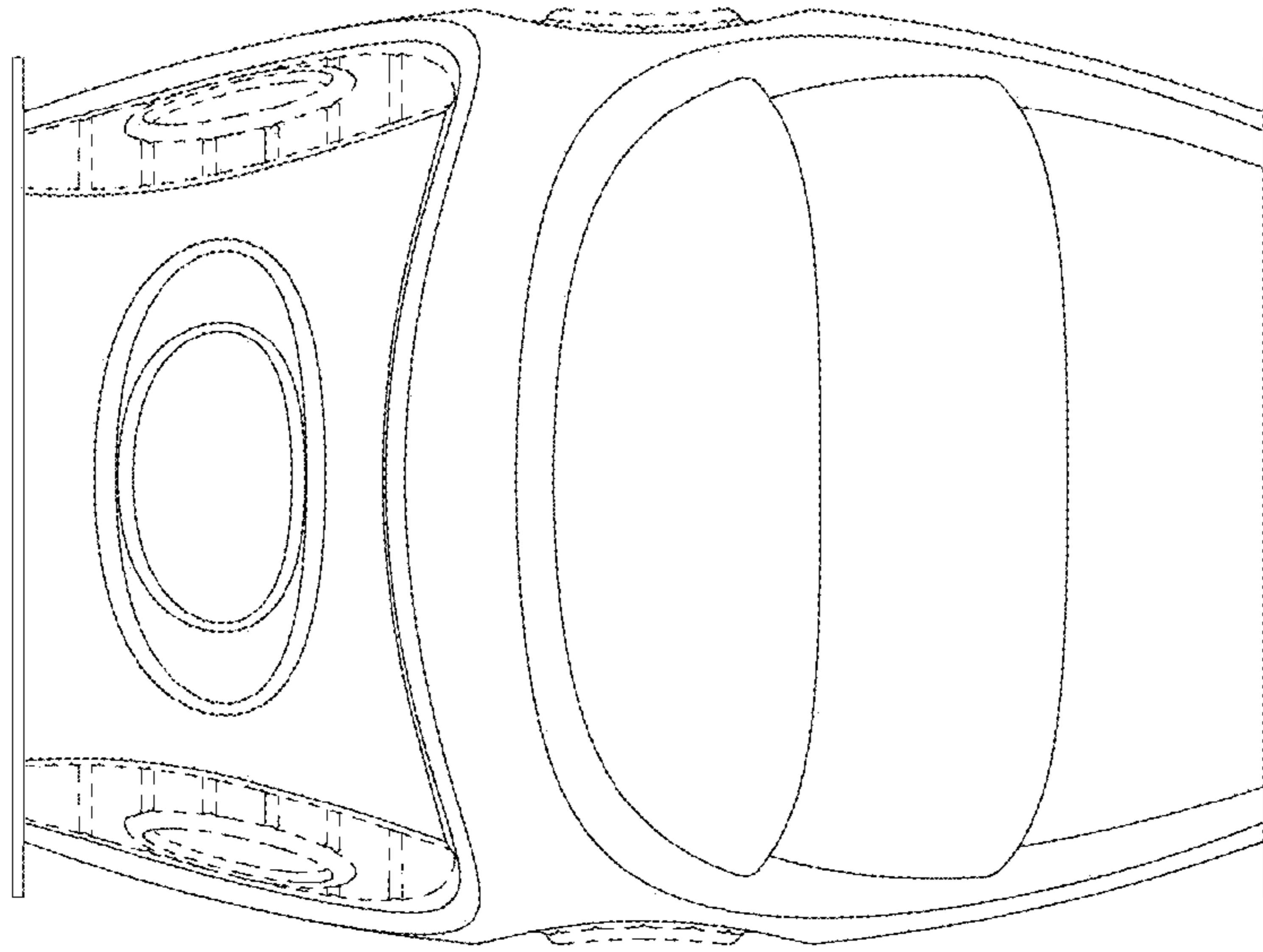


FIG. 5

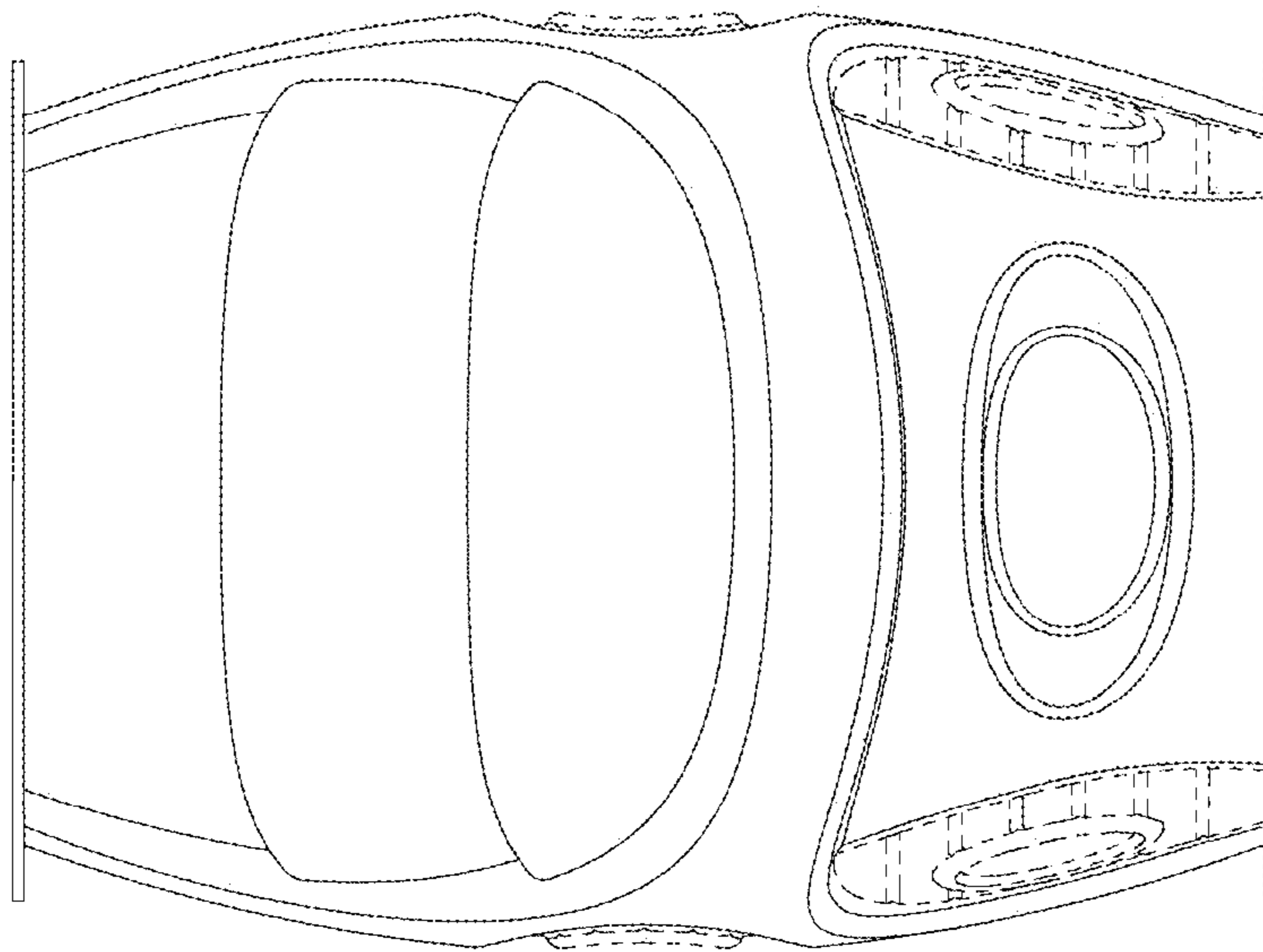


FIG. 6

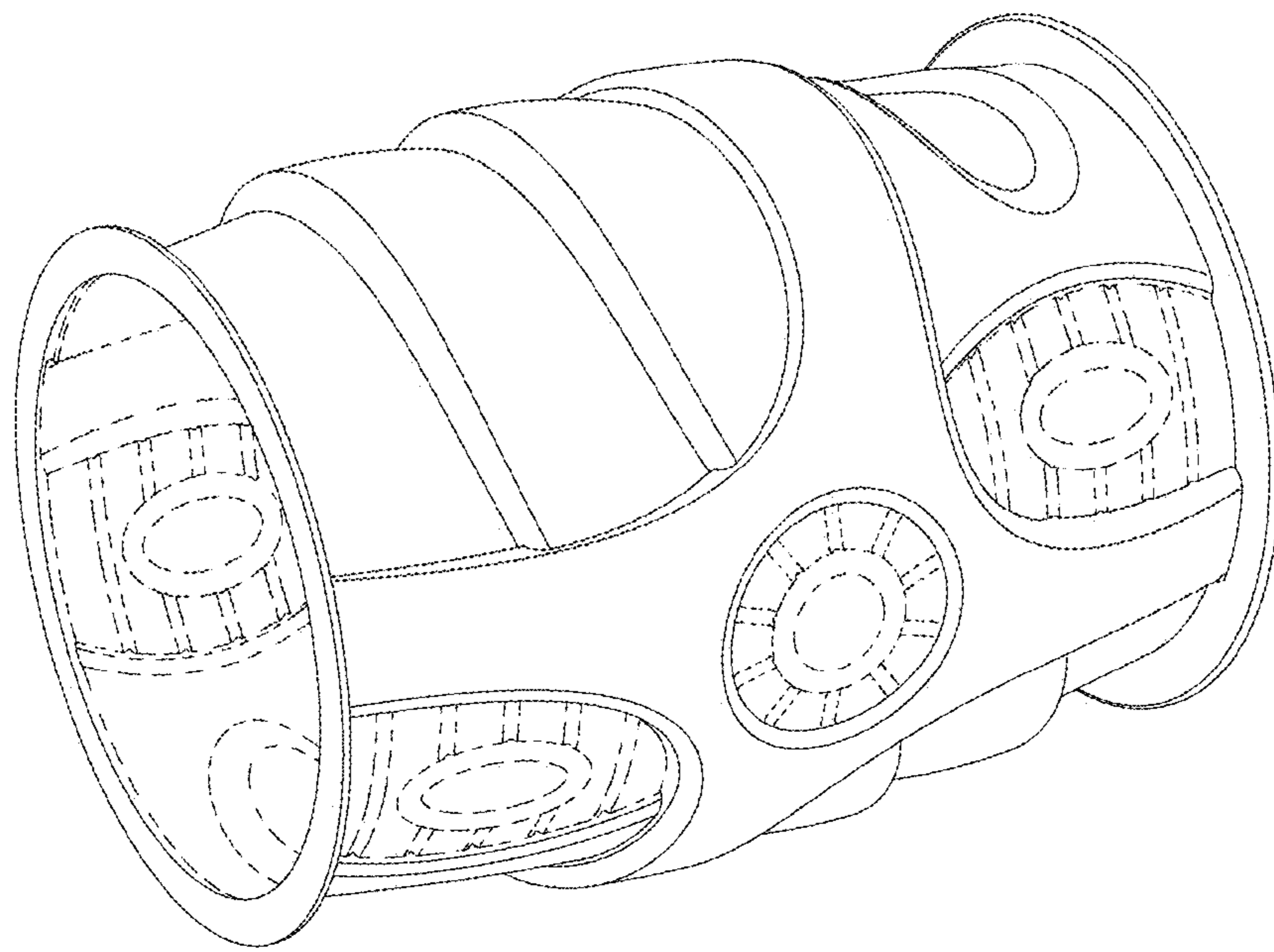


FIG. 7