



US00D985704S

(12) **United States Design Patent** (10) **Patent No.:** **US D985,704 S**  
**Hu** (45) **Date of Patent:** **\*\* May 9, 2023**

(54) **SWIM FIN**  
(71) Applicant: **Dongguan City Ren Tong Swimming & Diving Products Co., Ltd.**,  
Dongguan (CN)

D490,136 S \* 5/2004 Godoy ..... D21/806  
D704,292 S \* 5/2014 Garraffa ..... D21/806  
D838,796 S \* 1/2019 Beittel ..... D21/806  
D849,169 S \* 5/2019 Cochran ..... D21/806  
D890,874 S \* 7/2020 Cochran ..... D21/806

(72) Inventor: **Guoren Hu**, Dongguan (CN)  
(\*\*) Term: **15 Years**

**OTHER PUBLICATIONS**

Tusa Scuba Diving Fins. Online, published date Jan. 30, 2013.  
Retrieved on Jan. 11, 2023 from URL: <https://www.amazon.com/TUSA-SF-22-Solla-Diving-Fishtail/dp/B00KKOA4UC/>.  
Wacool Long Blade Fins. Online, published date Feb. 16, 2020.  
Retrieved on Jan. 11, 2023 from URL: <https://www.amazon.com/WACOOOL-Professional-Freediving-Speafishing-Snorkeling/dp/B082X2Y1VZ/>.

(21) Appl. No.: **29/802,973**  
(22) Filed: **Aug. 10, 2021**  
(51) **LOC (14) Cl.** ..... **21-02**  
(52) **U.S. Cl.**  
USPC ..... **D21/806**  
(58) **Field of Classification Search**  
USPC ..... D21/678, 801, 803, 804, 806, 807, 808;  
D2/896, 902, 907, 919; D11/1, 40  
CPC ..... A63B 31/00; A63B 31/11; A63B 31/08;  
A63B 31/10; A63B 31/112; A63B 31/115;  
A63B 31/117; A63B 35/02  
See application file for complete search history.

\* cited by examiner

*Primary Examiner* — Omeed Agilee  
*Assistant Examiner* — David Truong  
(74) *Attorney, Agent, or Firm* — Prakash Nama; Global IP Services, PLLC

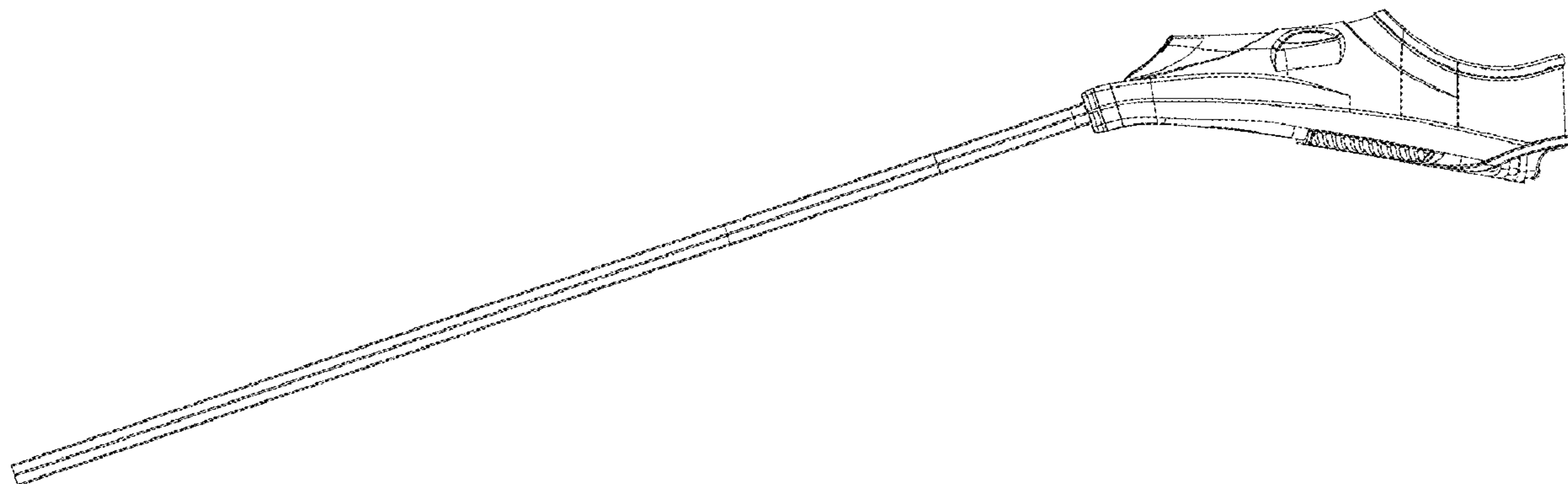
(57) **CLAIM**  
The ornamental design for a swim fin, as shown.

(56) **References Cited**  
U.S. PATENT DOCUMENTS  
4,795,385 A \* 1/1989 Matsuoka ..... A63B 31/11  
D21/806  
D313,640 S \* 1/1991 Fujiwara ..... D21/806  
5,304,081 A \* 4/1994 Takizawa ..... A63B 31/11  
D21/806  
D350,801 S \* 9/1994 Dagnino ..... D21/806  
D382,322 S \* 8/1997 Cressi ..... D21/806  
D396,897 S \* 8/1998 Evans ..... D21/806  
D421,474 S \* 3/2000 Godoy ..... D21/806  
D430,637 S \* 9/2000 Evans ..... D21/806  
D449,362 S \* 10/2001 Evans ..... D21/806  
D450,365 S \* 11/2001 Evans ..... D21/806  
D470,557 S \* 2/2003 Godoy ..... D21/806

**DESCRIPTION**

FIG. 1 is a front elevational view of a swim fin showing my new design;  
FIG. 2 is a rear elevational view thereof;  
FIG. 3 is a left side view thereof;  
FIG. 4 is a right side view thereof;  
FIG. 5 is a top plan view thereof;  
FIG. 6 is a bottom plan view thereof;  
FIG. 7 is a perspective view thereof;  
FIG. 8 is a second perspective view thereof;  
FIG. 9 is a third perspective view thereof;  
FIG. 10 is a fourth perspective view thereof; and,  
FIG. 11 is a fifth perspective view thereof.

**1 Claim, 11 Drawing Sheets**



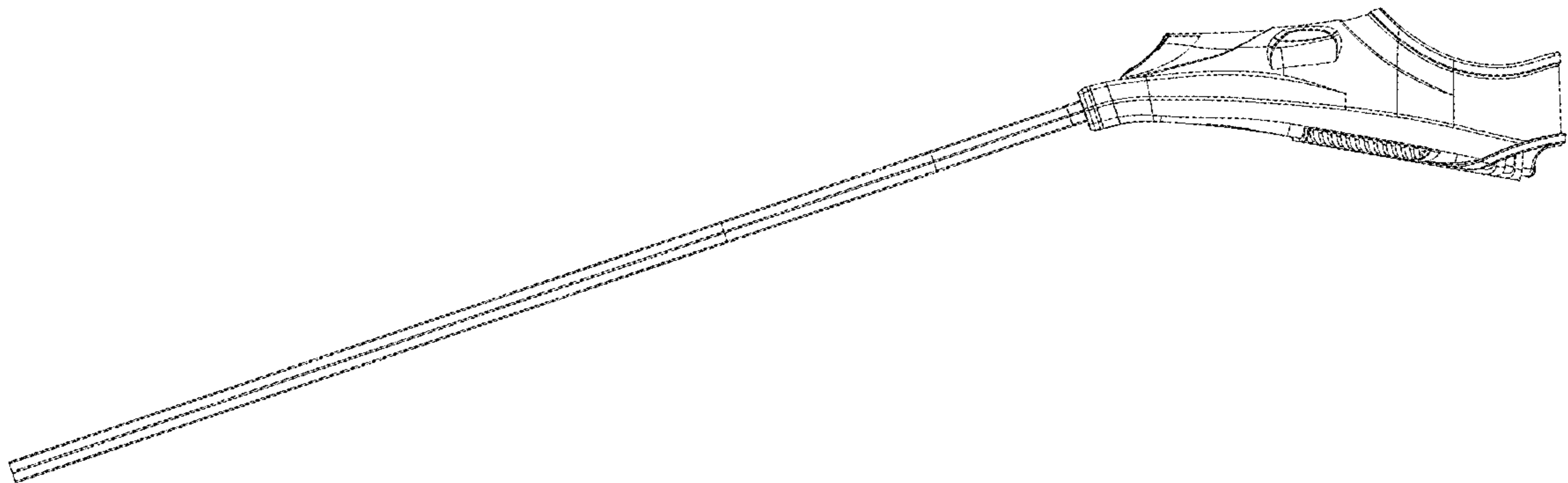


FIG. 1

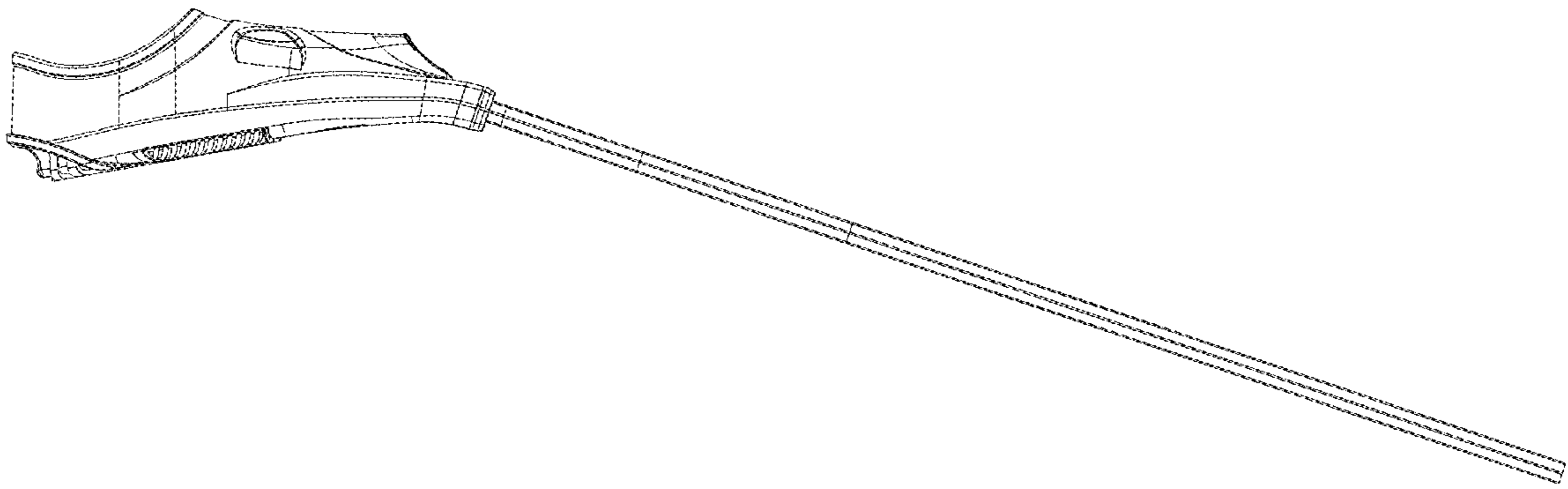


FIG. 2

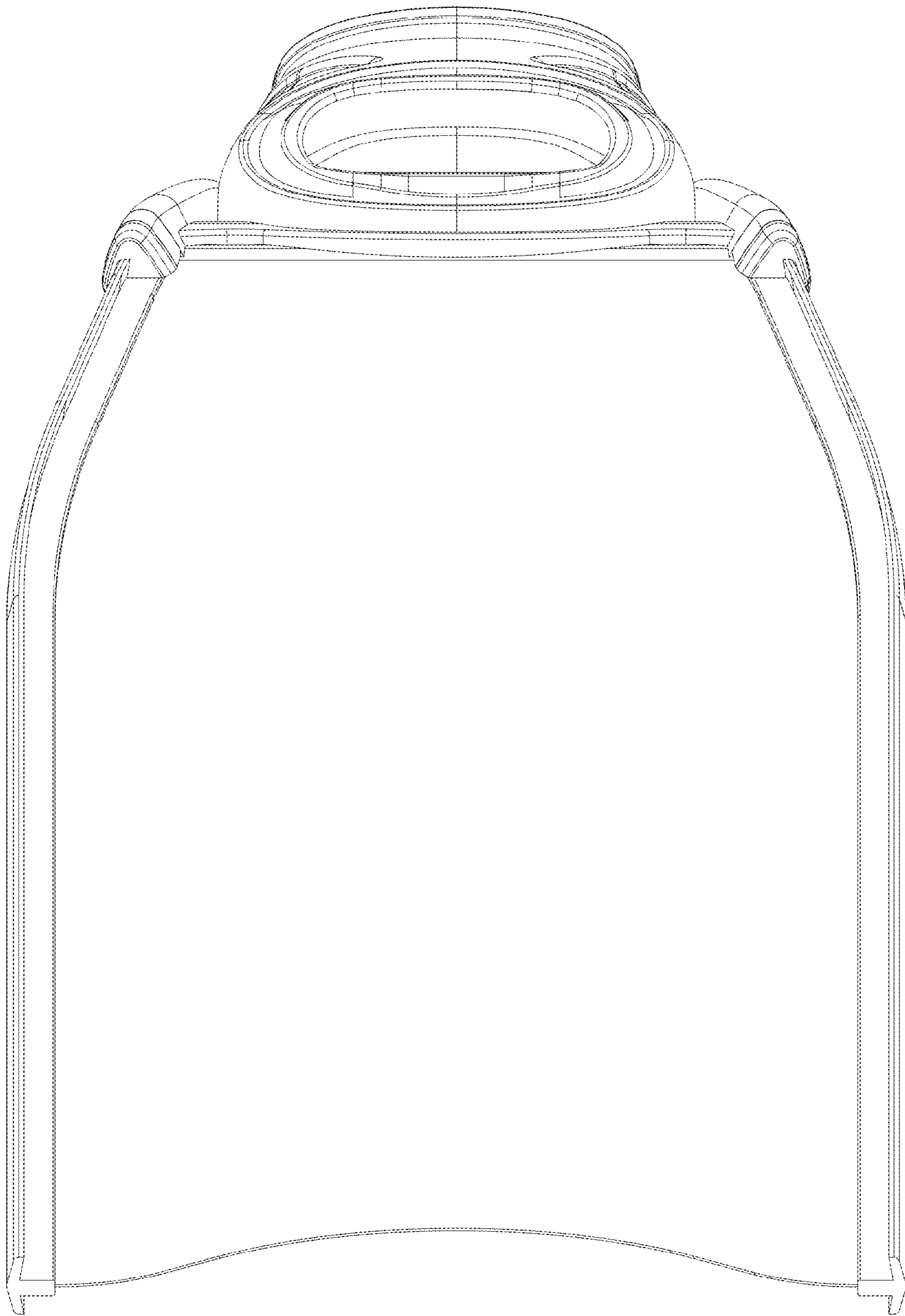


FIG. 3

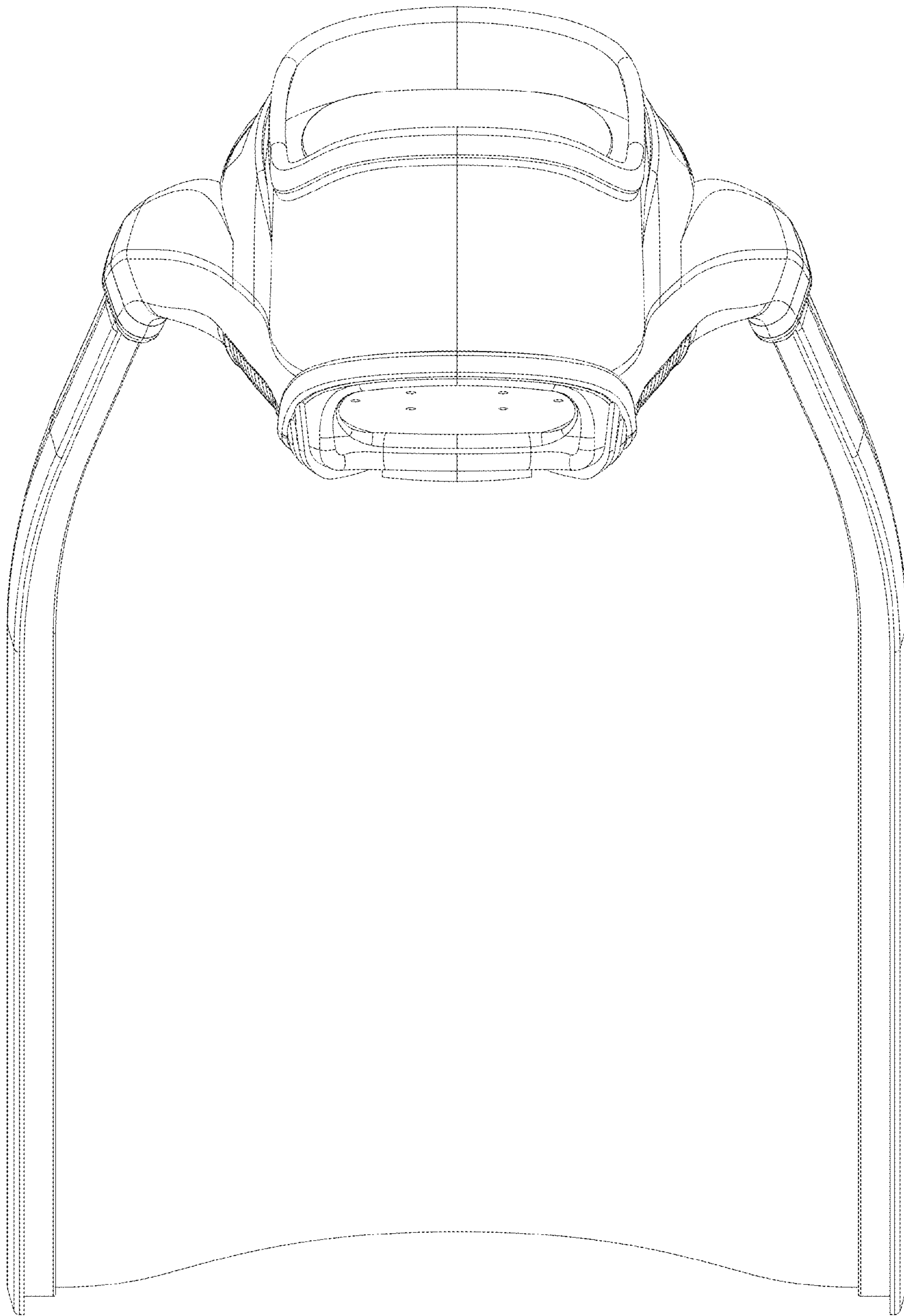


FIG. 4

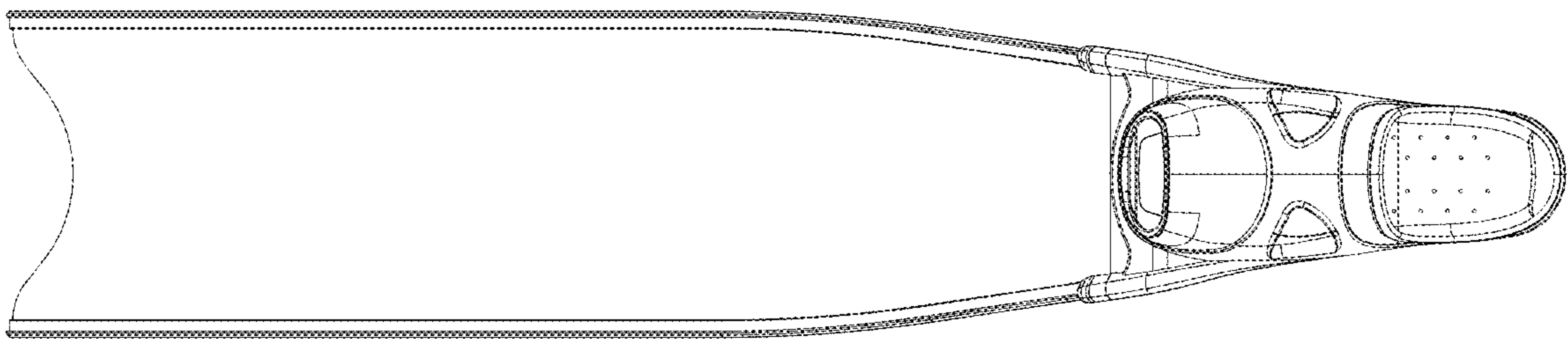


FIG. 5

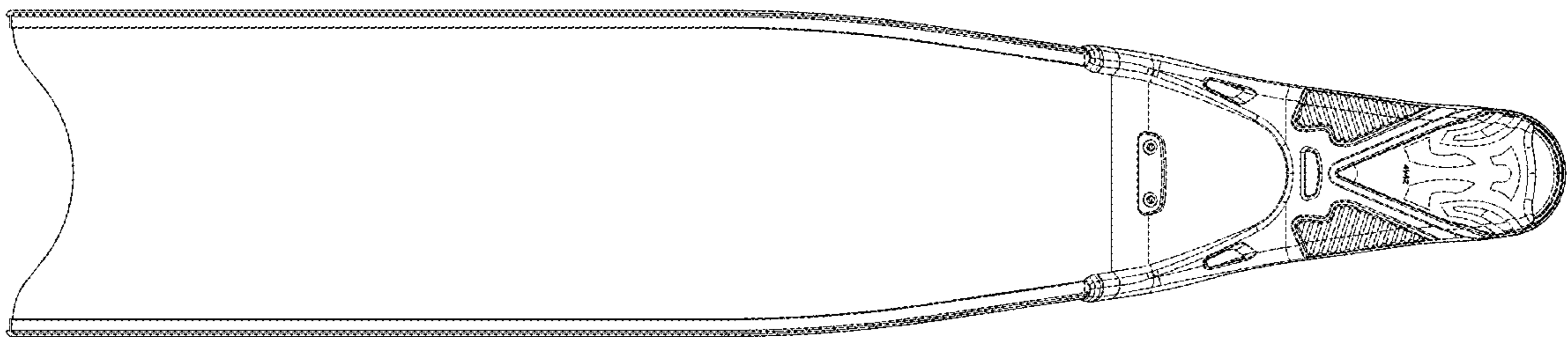


FIG. 6

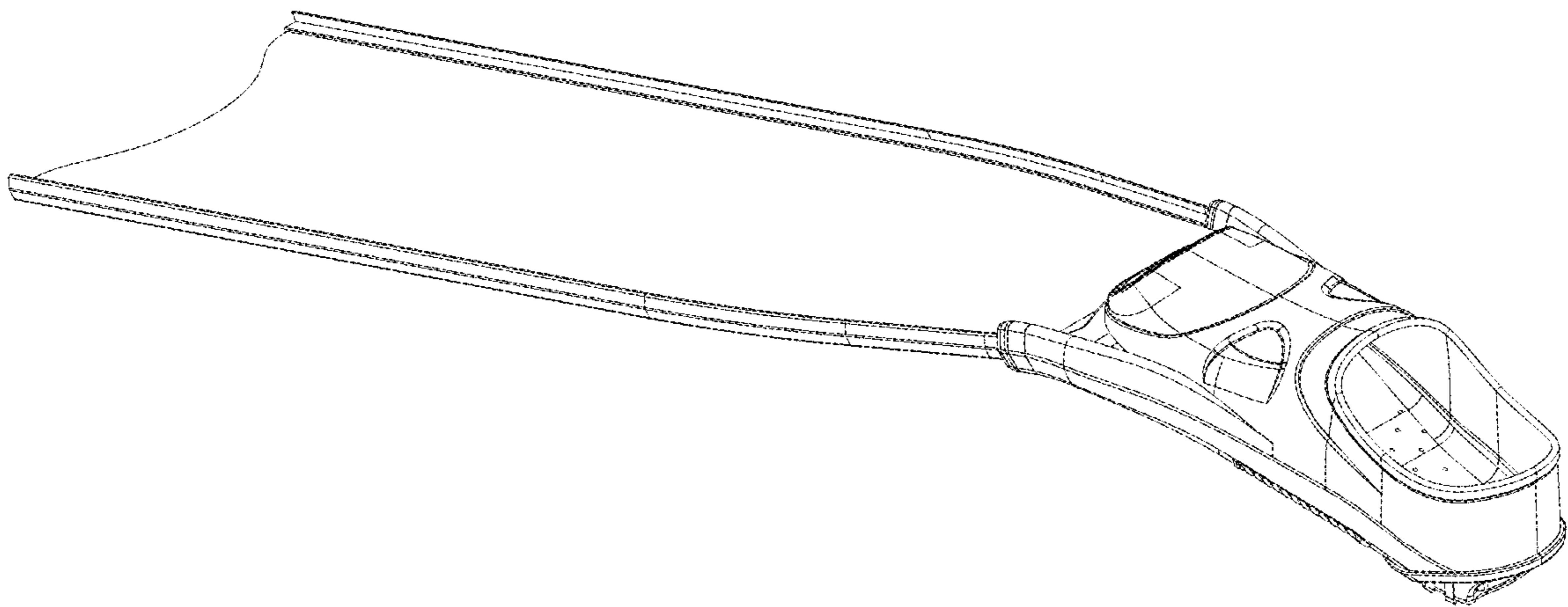


FIG. 7



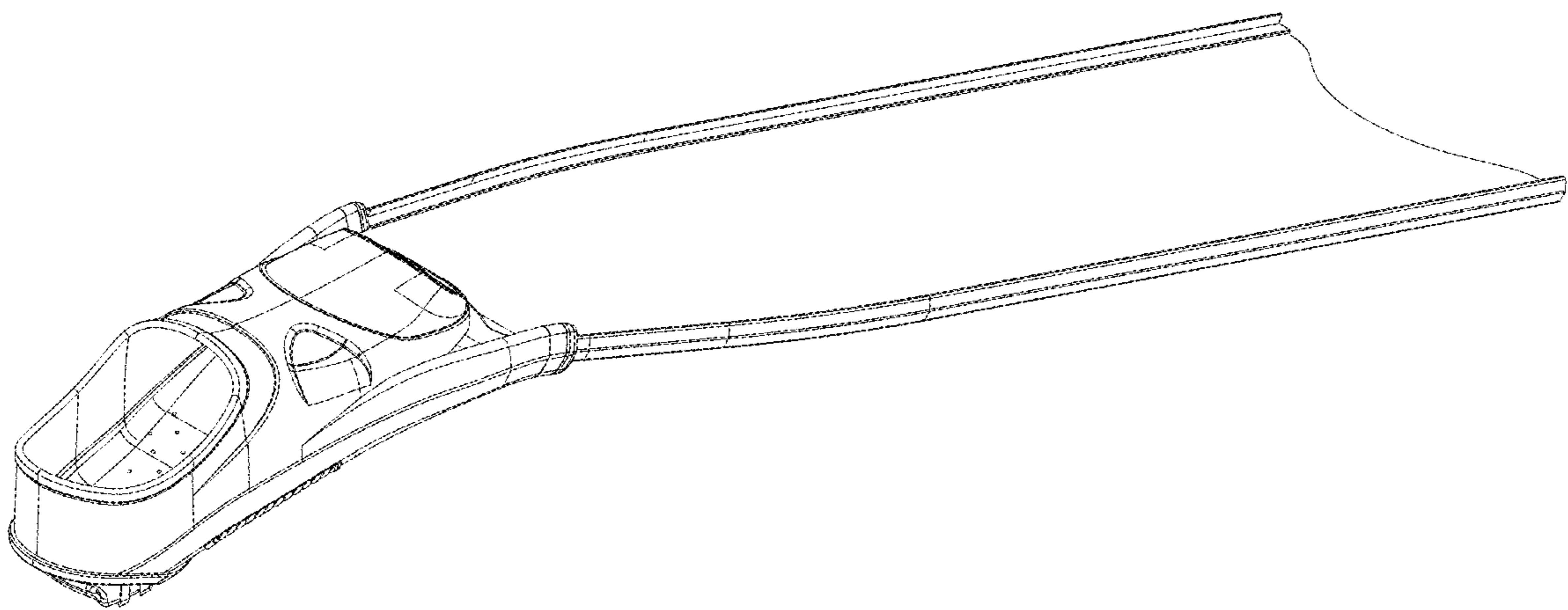


FIG. 8

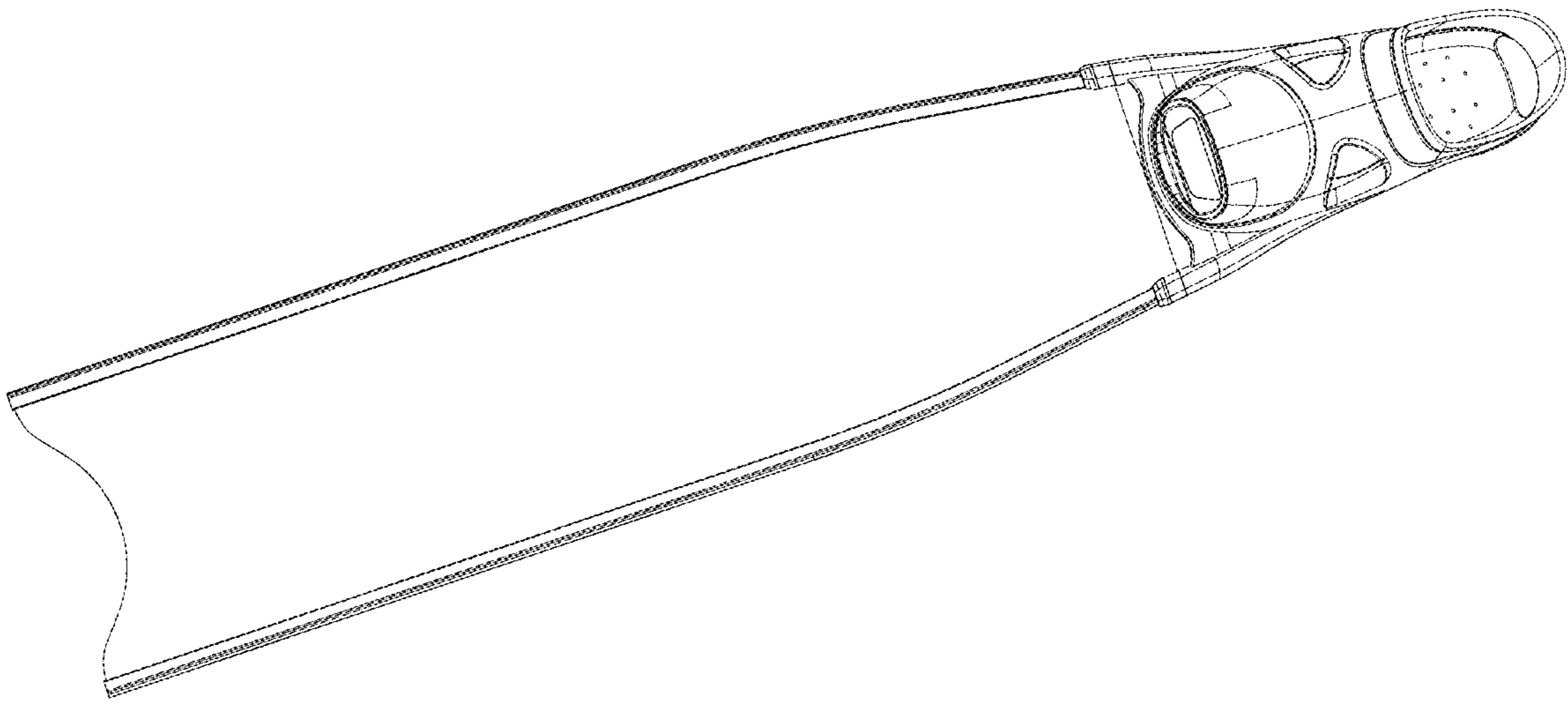


FIG. 9

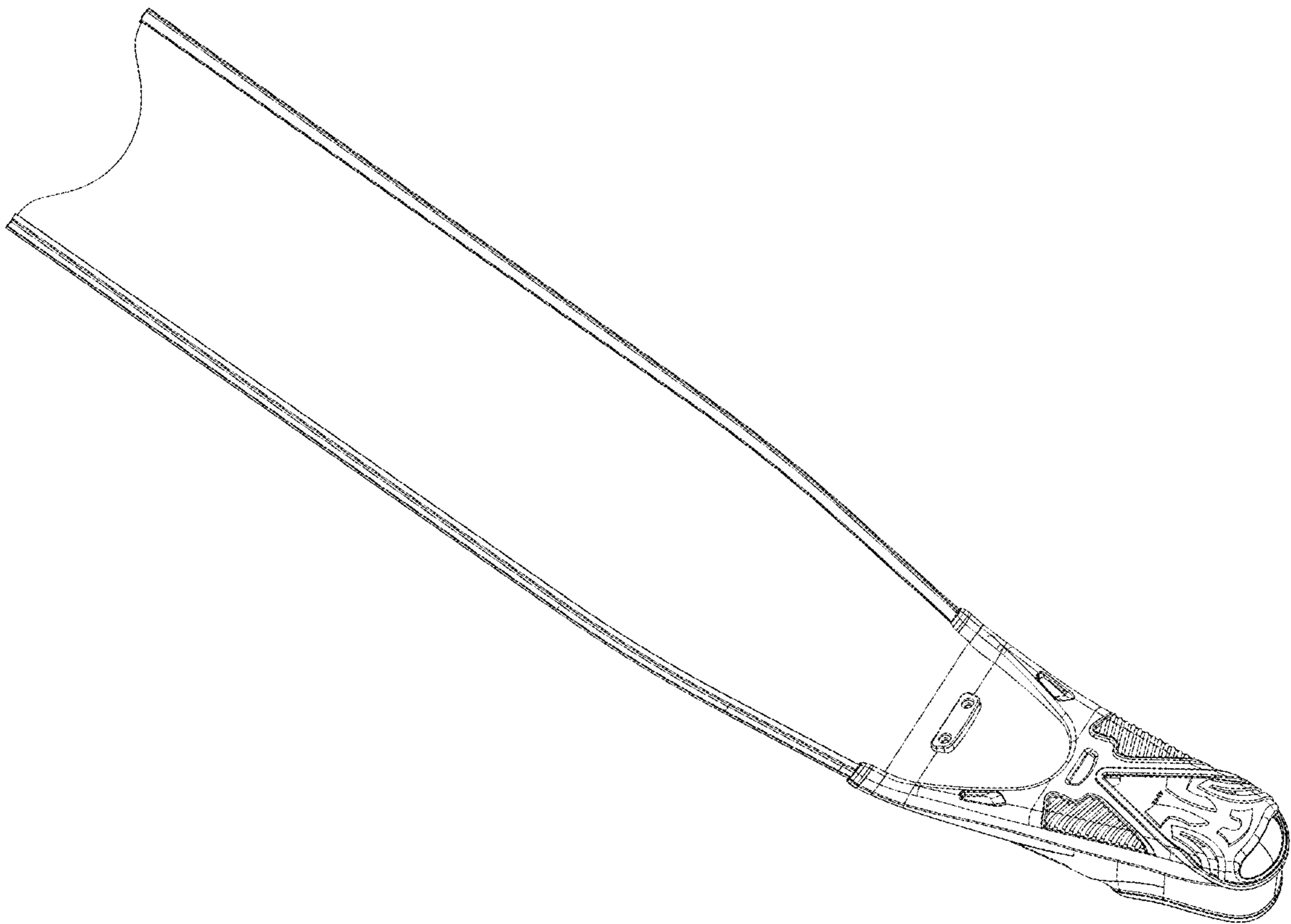


FIG. 10

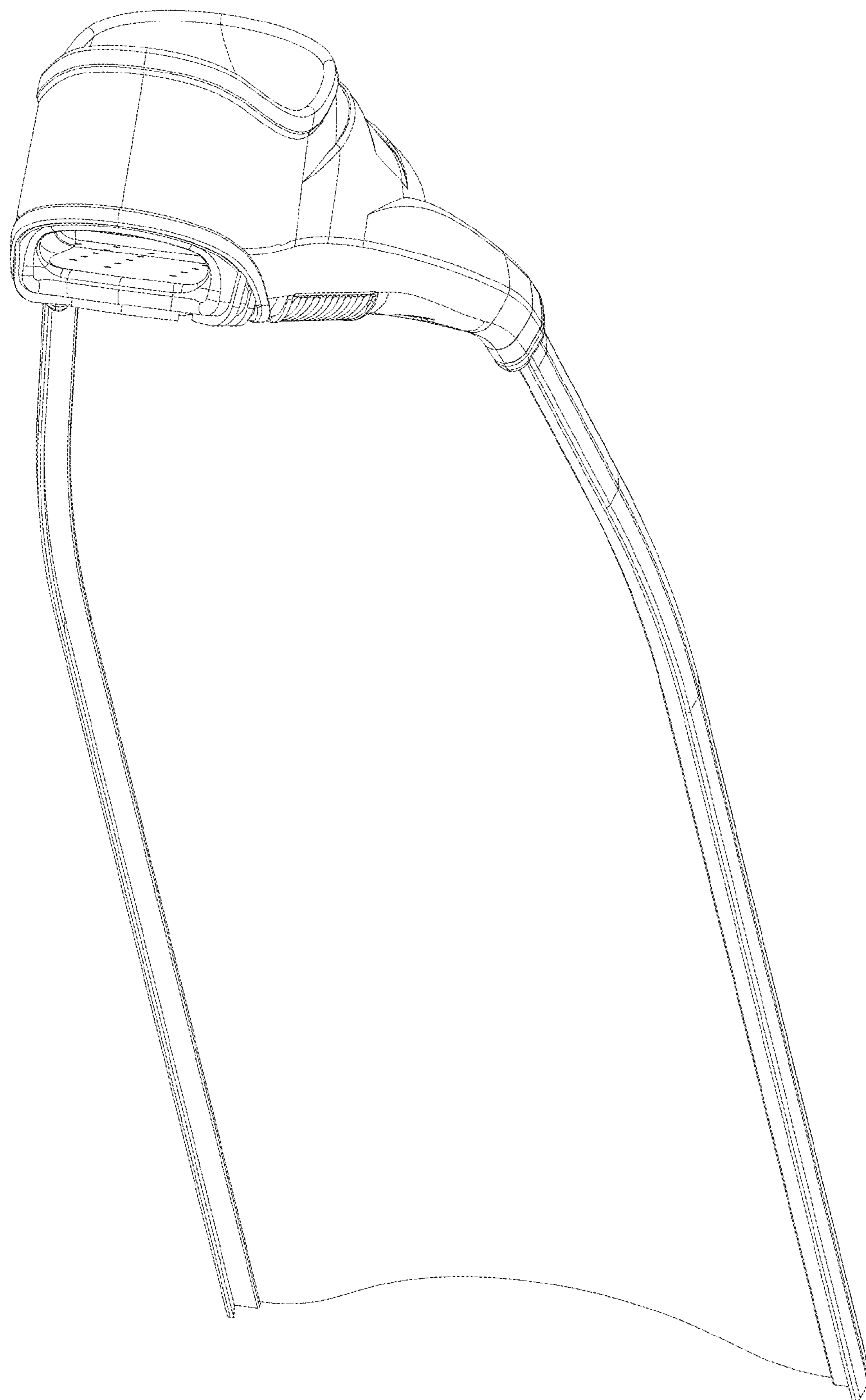


FIG. 11