



US00D985703S

(12) **United States Design Patent**
Vassallo

(10) **Patent No.:** **US D985,703 S**

(45) **Date of Patent:** **** May 9, 2023**

(54) **EXERCISE FLOTATION DEVICE**
(71) Applicant: **VASSALLO LLC**, Vega Alta, PR (US)
(72) Inventor: **Salvador Vassallo**, Vega Alta, PR (US)
(73) Assignee: **Vassallo, LLC**, Vega Alta, PR (US)

(**) Term: **15 Years**

(21) Appl. No.: **29/762,043**

(22) Filed: **Dec. 14, 2020**

(51) **LOC (14) Cl.** **21-03**

(52) **U.S. Cl.**
USPC **D21/803**; D21/801

(58) **Field of Classification Search**
USPC D21/803, 801, 698, 542, 809, 808, 678;
D6/598, 596; D12/3, 5; D29/124
CPC B63B 34/50; B63C 9/08; A63B 31/12
See application file for complete search history.

(56) **References Cited**

U.S. PATENT DOCUMENTS

1,140,107	A	5/1915	Brown	
1,231,646	A	7/1917	Pyros	
1,318,879	A	10/1919	Jones	
1,457,908	A	6/1923	Kupsche	
2,017,463	A	4/1934	Komadina	
2,810,138	A	8/1954	Cochran	
3,417,415	A	12/1968	Kozak	
3,698,026	A	10/1972	Buntin	
3,774,564	A *	11/1973	Bondon	B63G 8/001 114/244
3,789,447	A	2/1974	Lavallee	
D256,825	S *	9/1980	Phillips	D29/124
4,233,925	A	11/1980	Proctor	
4,300,759	A	11/1981	Caplan	
4,458,896	A	7/1984	Solloway	
4,480,829	A	11/1984	Yacoboski	
4,632,287	A	12/1986	Guzman	
4,819,951	A	4/1989	Solloway	
D384,720	S *	10/1997	Spomer	D21/803

5,702,331	A	12/1997	Perham	
D427,656	S *	7/2000	Peterson	D21/803
D518,546	S *	4/2006	Chiang	D21/803
7,425,190	B2	9/2008	Kolarick	
D711,486	S *	8/2014	Purdy	D21/769
D719,233	S *	12/2014	Maria	D21/803

(Continued)

FOREIGN PATENT DOCUMENTS

GB	6151473	*	7/2021
WO	WOD221482-001	*	7/2022

OTHER PUBLICATIONS

Amazon Website, Plastic Wobble Balance Board, Earliest Available date: Jul. 26, 2016, [Website Visited on Sep. 20, 2022], Available on the internet URL <https://www.amazon.com/Yes4All-Exercise-Stability-Physical-Training/dp/B0822DGX4R?th=1> (Year: 2016).*

(Continued)

Primary Examiner — S. Bryan Reinholdt, Jr.

Assistant Examiner — James T Tyree

(74) *Attorney, Agent, or Firm* — Ignacio Bellver

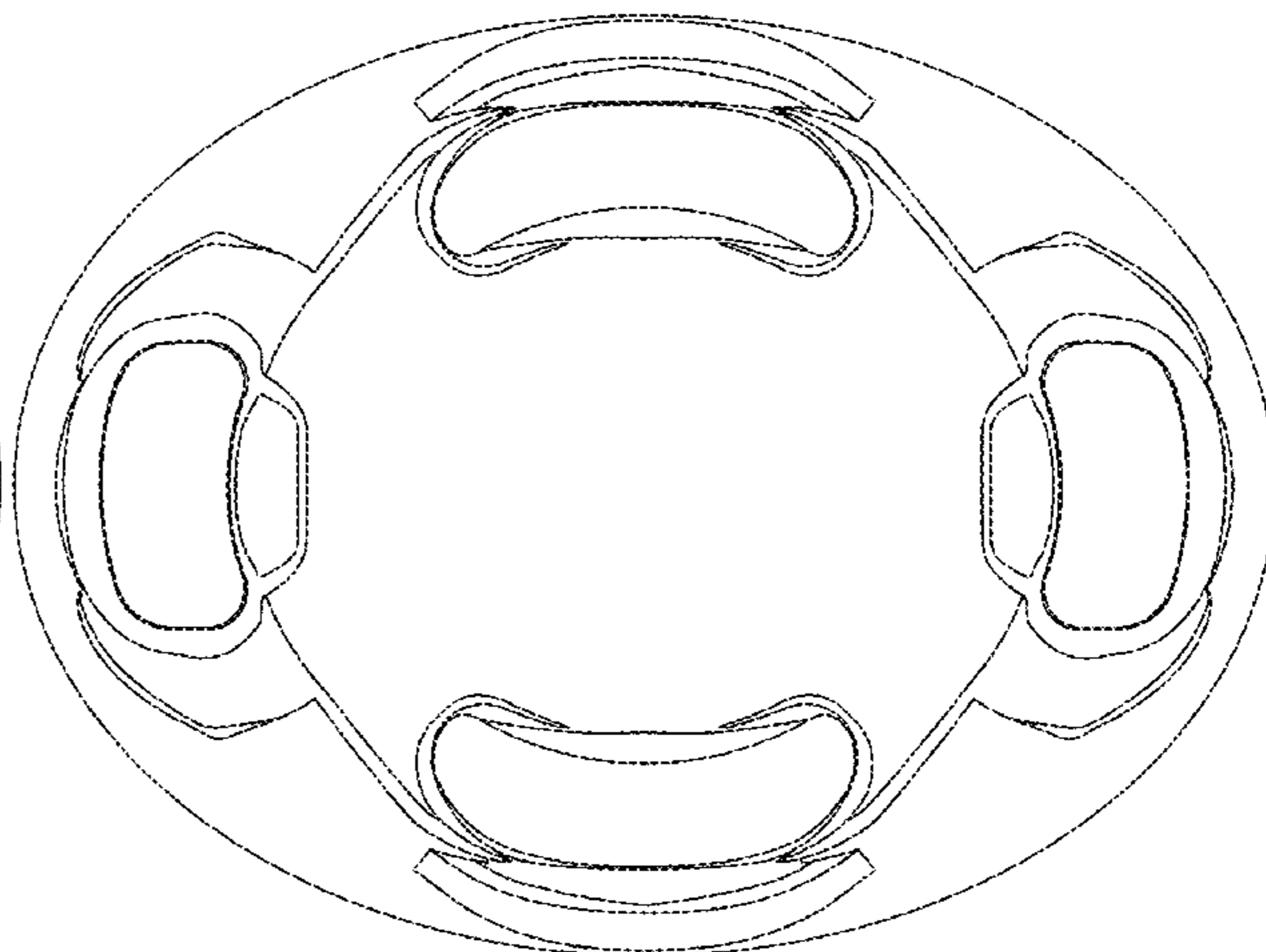
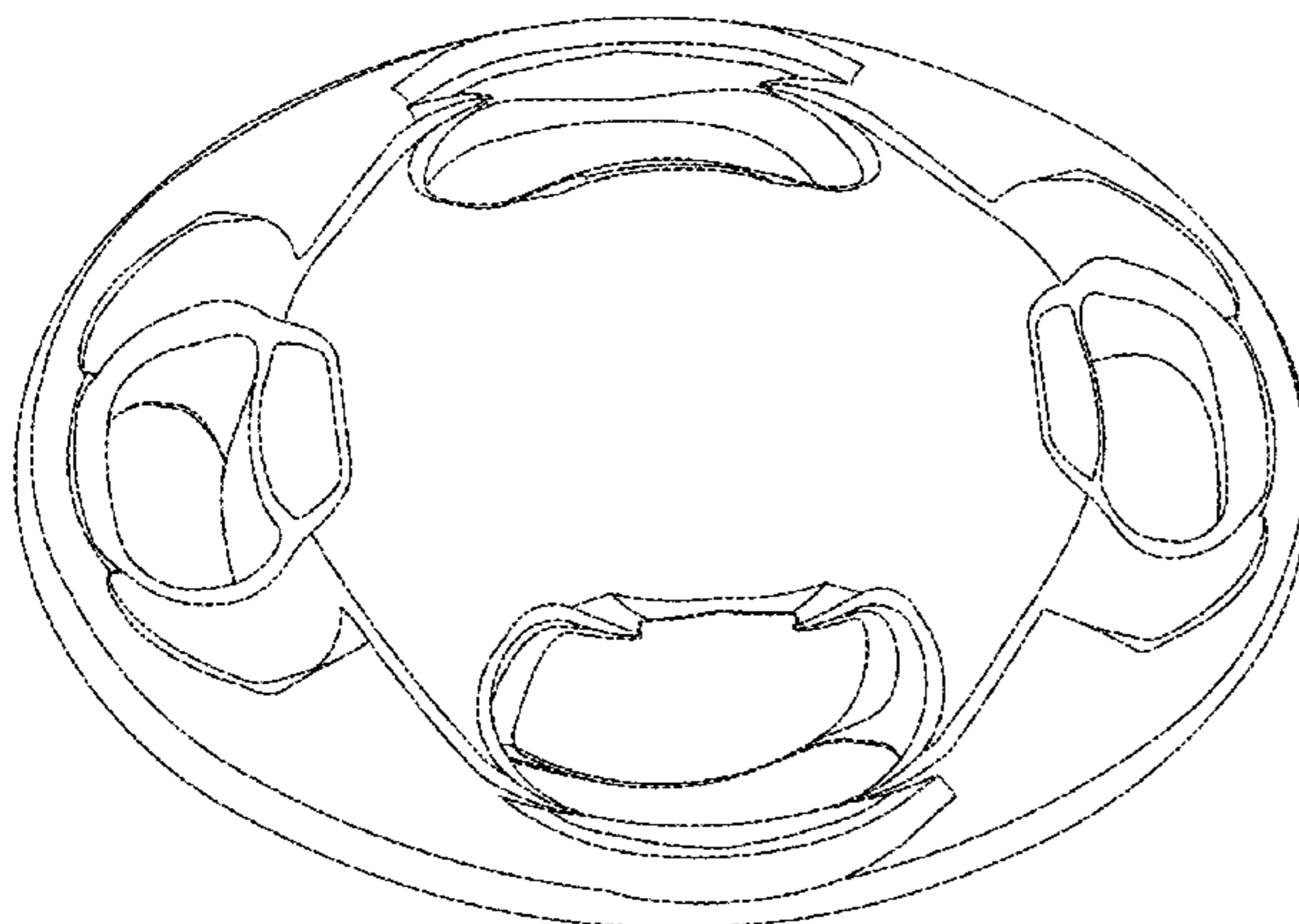
(57) **CLAIM**

The ornamental design for an exercise flotation device, as shown and described.

DESCRIPTION

FIG. 1 is a top right perspective view of an exercise flotation device showing the new design;
FIG. 2 is a top plain view thereof;
FIG. 3 is a left side plain view thereof;
FIG. 4 is a front plain view thereof;
FIG. 5 is a bottom left perspective view the exercise flotation device; and,
FIG. 6 is a bottom view of my exercise flotation device design.

1 Claim, 6 Drawing Sheets



(56)

References Cited

U.S. PATENT DOCUMENTS

10,406,401 B2 9/2019 Vard
D948,649 S * 4/2022 Staadecker D21/803

OTHER PUBLICATIONS

Amazon Website, Swim Training Pushplate, Earliest Available date: Mar. 27, 2019, [Website Visited on Sep. 20, 2022], Available on the internet URL <https://www.amazon.com/Speedo-Push-Plate-Sculpt-Black/dp/B07Q3YSS2D> (Year: 2019).*

Dicks Website, Swim Training Pushplate, Earliest Available date: Unavailable, [Website Visited on Sep. 20, 2022], Available on the internet URL <https://www.dickssportinggoods.com/p/fitness-gear-water-resistance-plate-19fgeufgrsstncpltswe/19fgeufgrsstncpltswe> (Year: NA) (Year: 2022).*

Vasspod Website, "The future of Fitness"; <https://vasspod.myshopify.com> accessed and retrieved on Monday Dec. 14, 2020. Note copyright date on webpage from 2020. Assignee of record is a the owner of the Vasspod trademark.

* cited by examiner

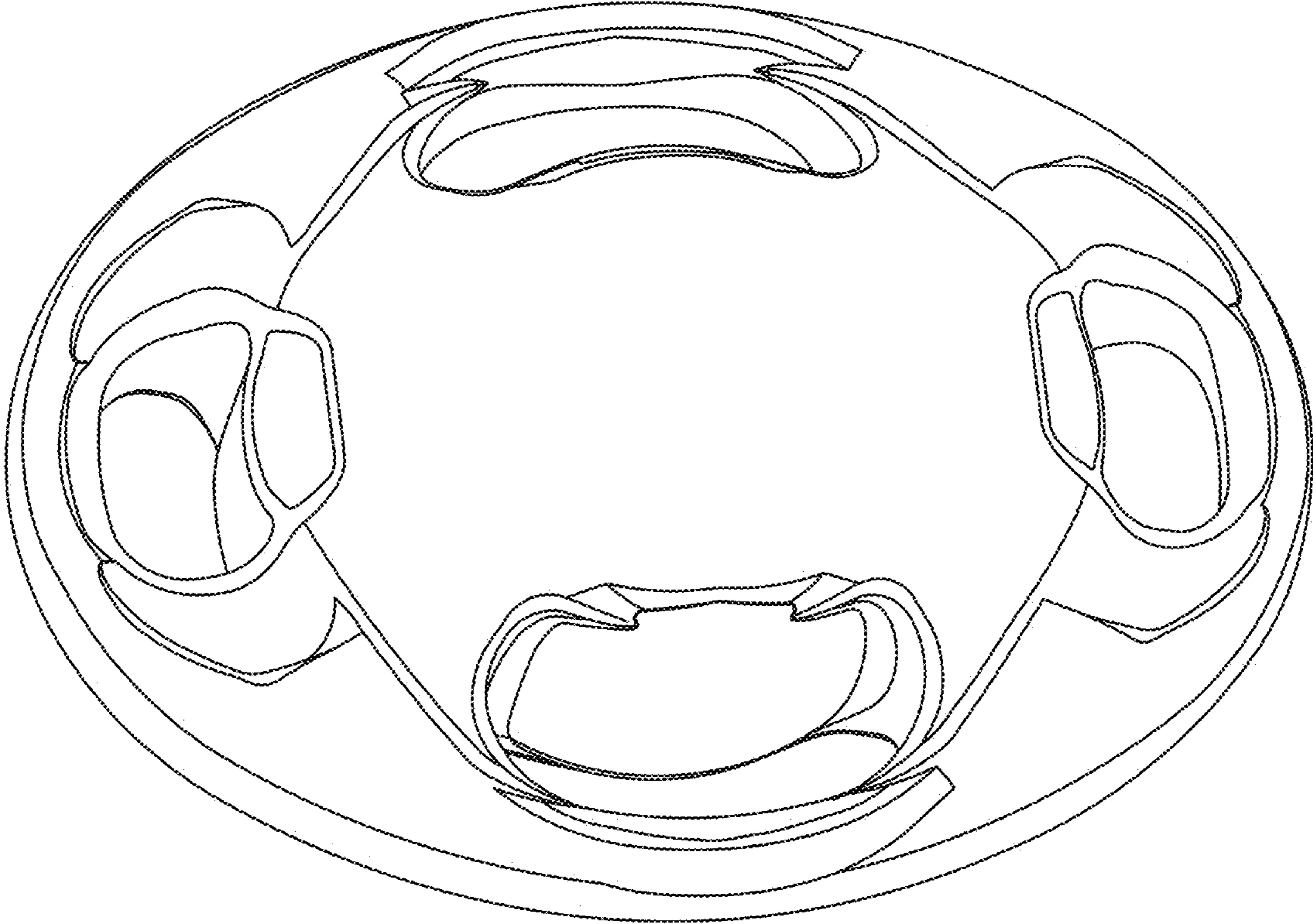


FIG. 1

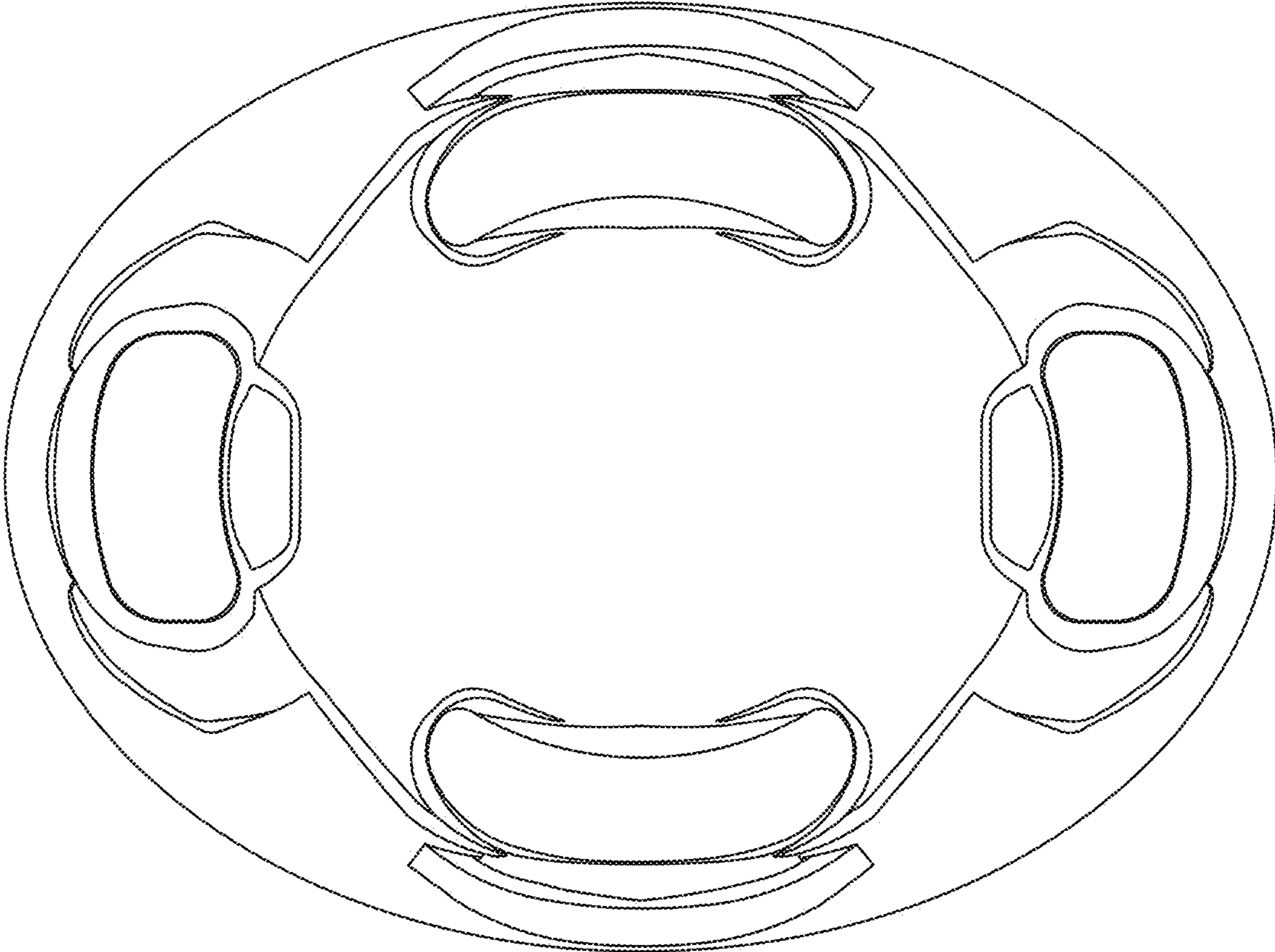


FIG. 2

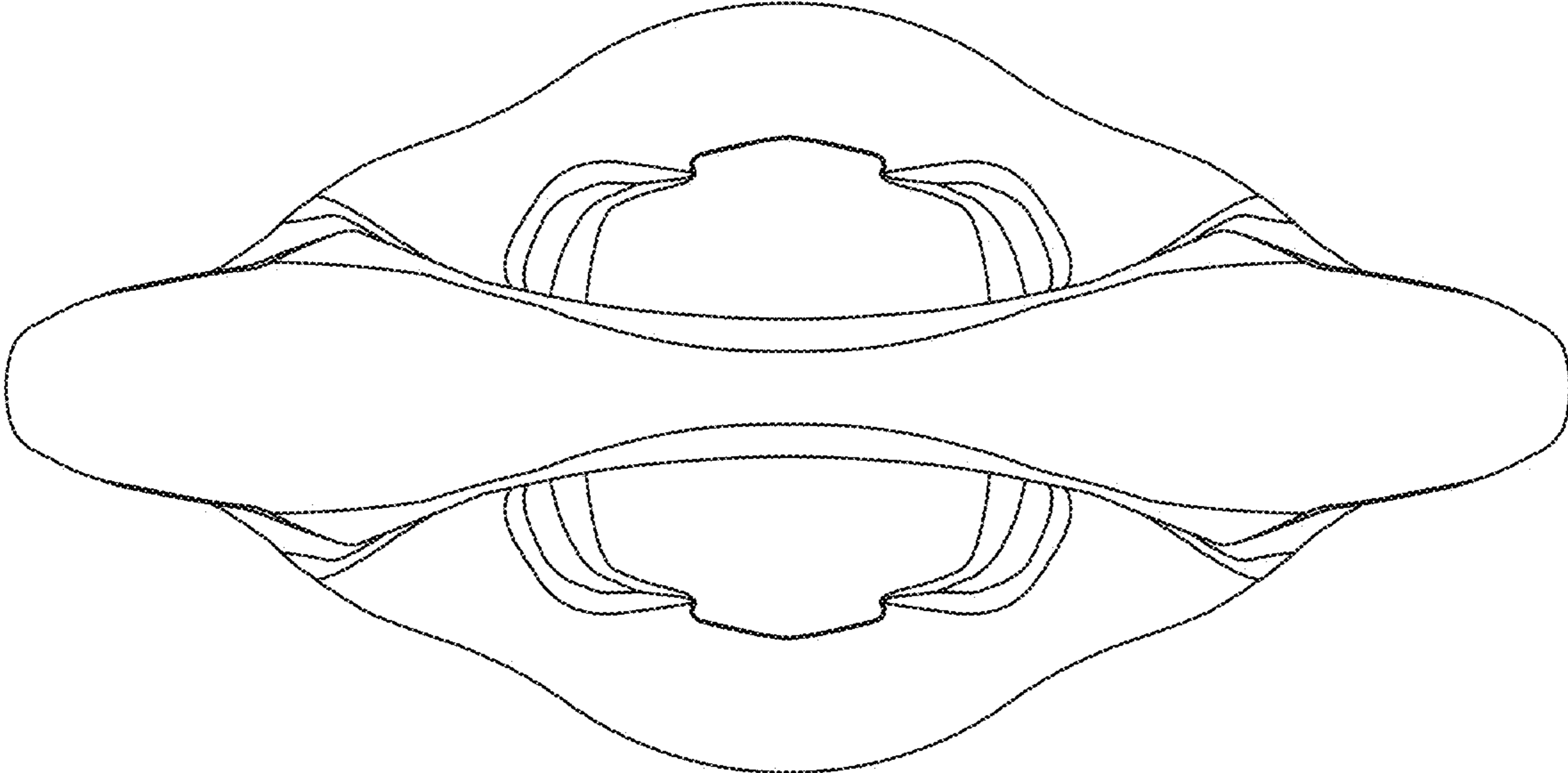


FIG. 3

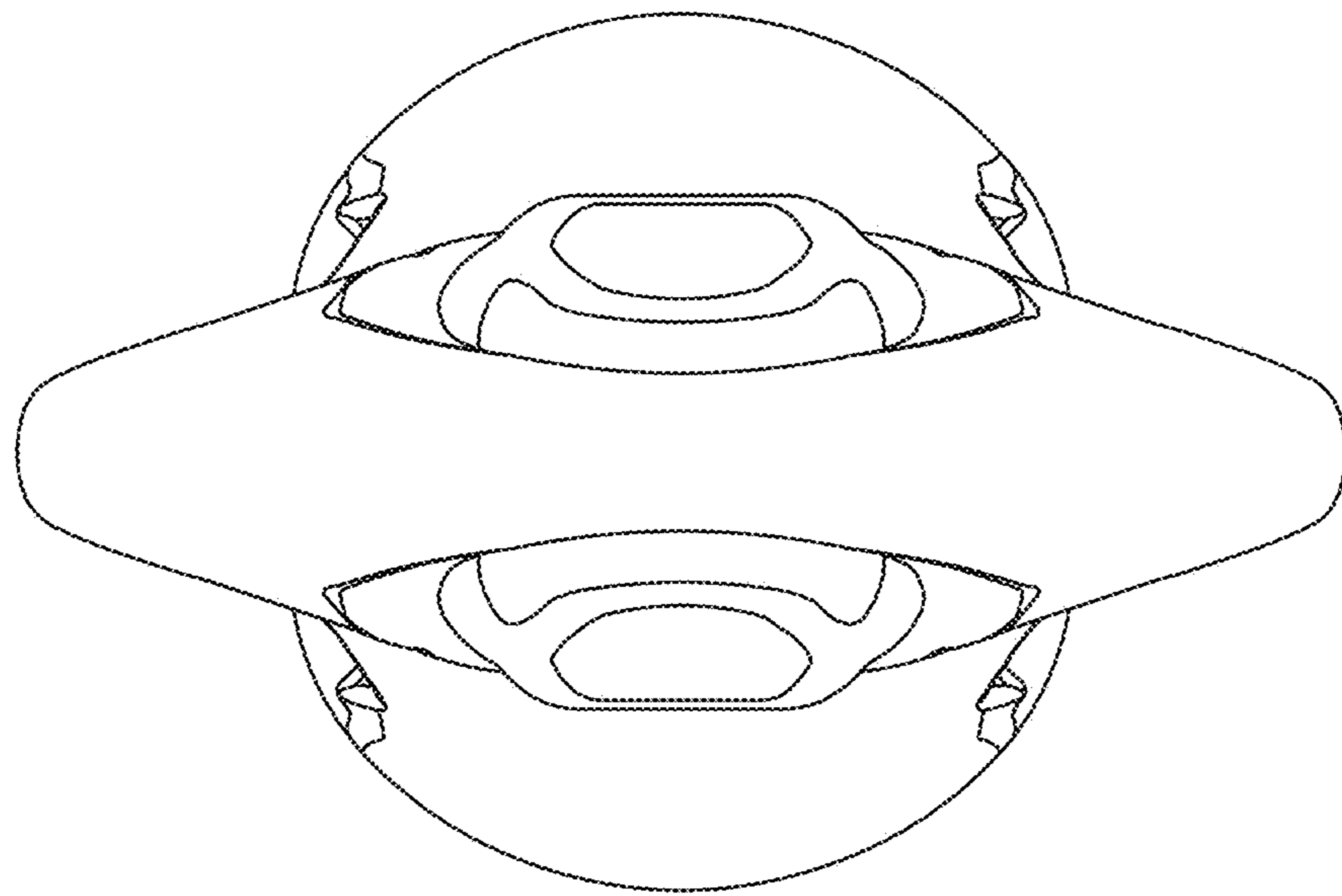


FIG. 4

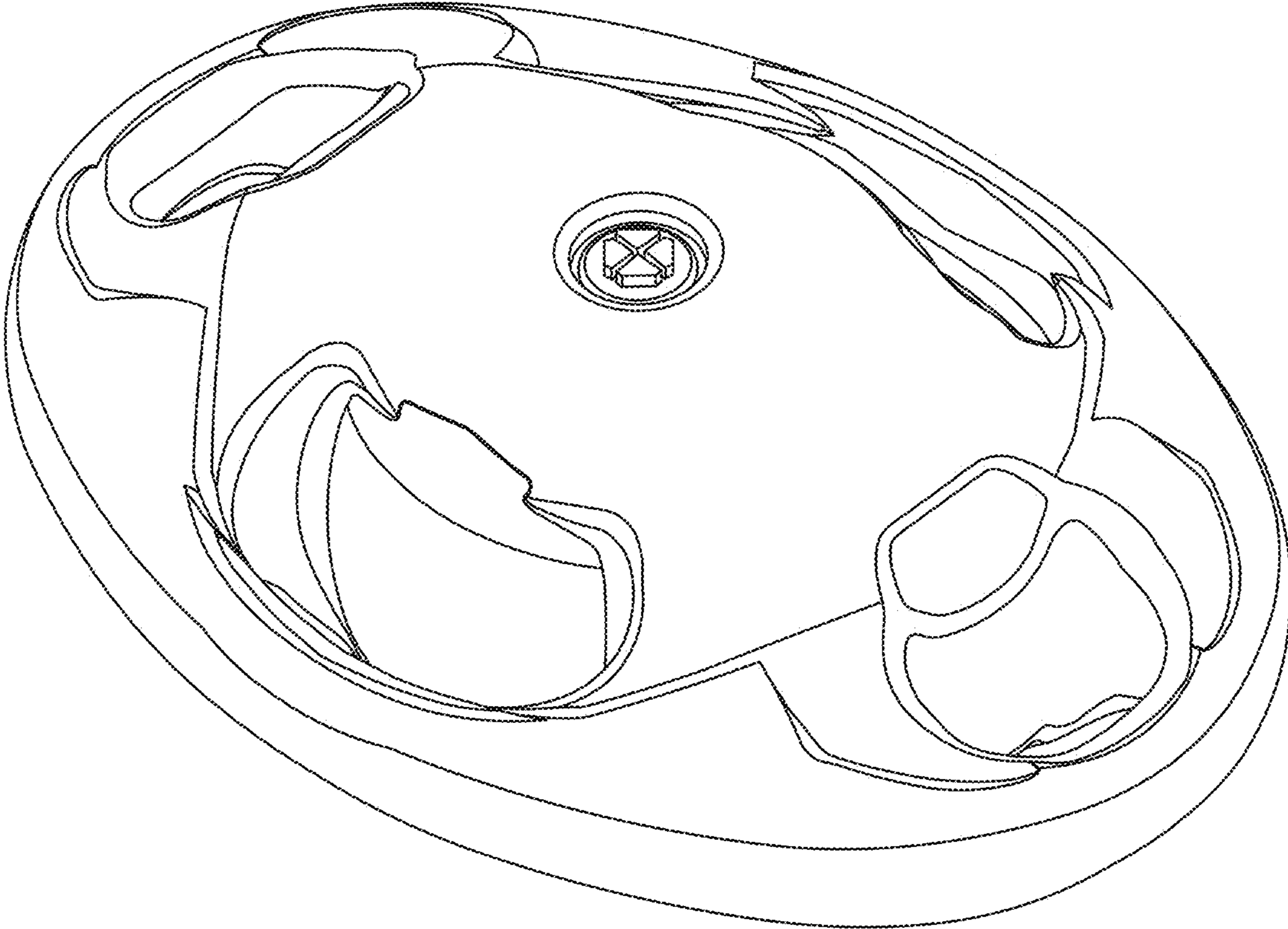


FIG. 5

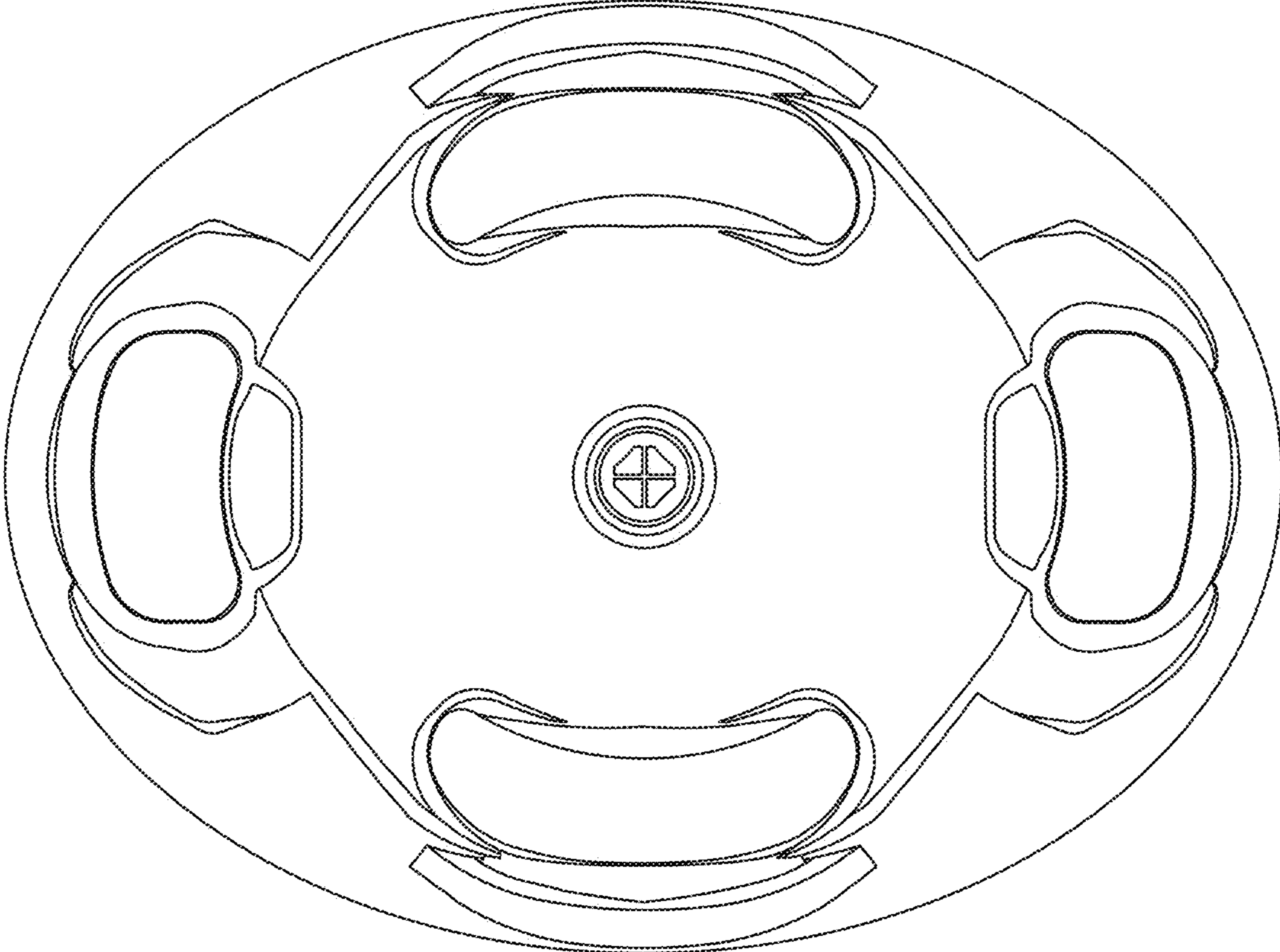


FIG. 6