



US00D985701S

(12) **United States Design Patent** (10) **Patent No.:** **US D985,701 S**
Bawden (45) **Date of Patent:** **** May 9, 2023**

(54) **SNOWBOARD OR SPLITBOARD**

FOREIGN PATENT DOCUMENTS

(71) Applicant: **Cardiff Snowcraft**, Bountiful, UT (US)

EP 1935459 A1 6/2008

(72) Inventor: **Samuel J Bawden**, Bountiful, UT (US)

OTHER PUBLICATIONS

(73) Assignee: **Lineworks, LLC**, Bountiful, UT (US)

International Search Report and Written Opinion for related PCT/US19/26440, dated Jun. 25, 2019.

(**) Term: **15 Years**

Primary Examiner — Zenia I Bennett

(21) Appl. No.: **29/758,653**

(74) *Attorney, Agent, or Firm* — Elevated IP, LLC

(22) Filed: **Nov. 17, 2020**

Related U.S. Application Data

(57) **CLAIM**

(62) Division of application No. 29/643,515, filed on Apr. 9, 2018, now Pat. No. Des. 902,334.

The ornamental design for a snowboard or splitboard, as shown and described.

(51) **LOC (14) Cl.** **21-02**

(52) **U.S. Cl.**
USPC **D21/769**

DESCRIPTION

(58) **Field of Classification Search**
USPC D21/760, 761, 766, 769, 770
CPC .. A63C 5/00; A63C 5/03; A63C 5/031; A63C 5/052

See application file for complete search history.

FIG. 1 is a top perspective view of an ornamental design for a snowboard or splitboard;
FIG. 2 is a top plan view thereof;
FIG. 3 is a first side view thereof, the opposite, second side view being a mirror image of the first side view;
FIG. 4 is a front view thereof;
FIG. 5 is a rear view thereof;
FIG. 6 is an alternate top perspective view thereof;
FIG. 7 is an alternate top plan view thereof;
FIG. 8 is an alternate first side view thereof;
FIG. 9 is an alternate front view thereof;
FIG. 10 is an alternate rear view thereof;
FIG. 11 is an enlarged view of the encircled area 11 in FIG. 1; and,
FIG. 12 is an enlarged view of the encircled area 12 in FIG. 4.

(56) **References Cited**

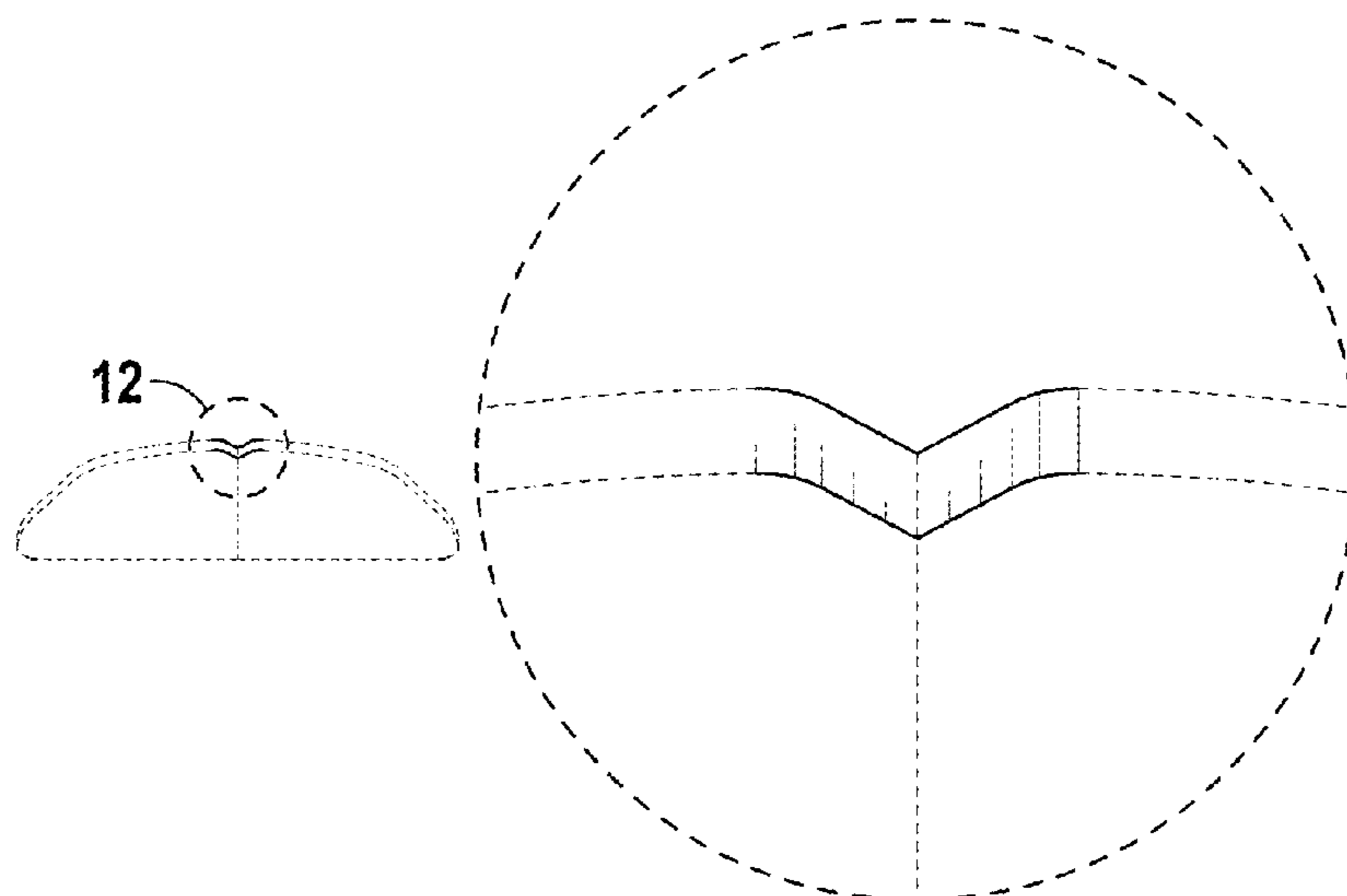
U.S. PATENT DOCUMENTS

D346,194 S	4/1994	Ferris	
D418,545 S	1/2000	Cassel	
D561,860 S	2/2008	Carlson et al.	
D607,525 S *	1/2010	Marciano	D21/769
7,798,514 B2	9/2010	Canaday et al.	
9,238,168 B2 *	1/2016	Kloster	A63C 5/031
9,327,180 B2	5/2016	Adamczewski et al.	
D777,278 S	1/2017	Warburton et al.	
D902,334 S *	11/2020	Bawden	D21/769
10,946,264 B2 *	3/2021	Bawden	A63C 5/052
2004/0084878 A1	5/2004	Adamczewski	
2007/0170694 A1	7/2007	Adamczewski et al.	
2008/0185814 A1	8/2008	Riepler et al.	
2011/0272920 A1	11/2011	Adamczewski	

(Continued)

The bottom surface of the snowboard or splitboard, not shown, forms no part of the claimed design.
The broken lines are for purposes of illustrating environmental structure and form no part of the claimed design.

1 Claim, 5 Drawing Sheets



(56)

References Cited

U.S. PATENT DOCUMENTS

2013/0193672 A1 8/2013 Bulan
2017/0050105 A1 2/2017 Browning

* cited by examiner

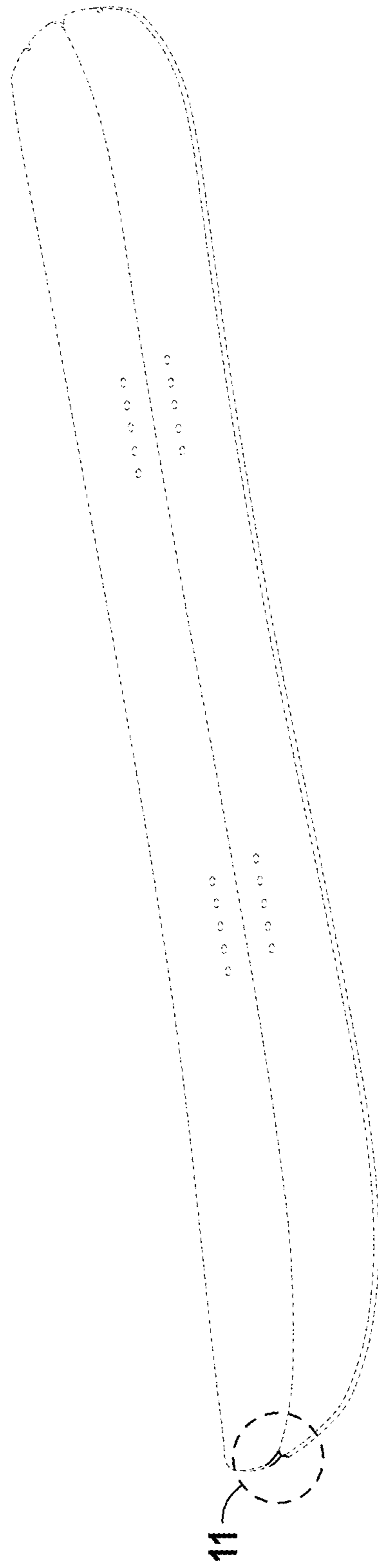


FIG. 1

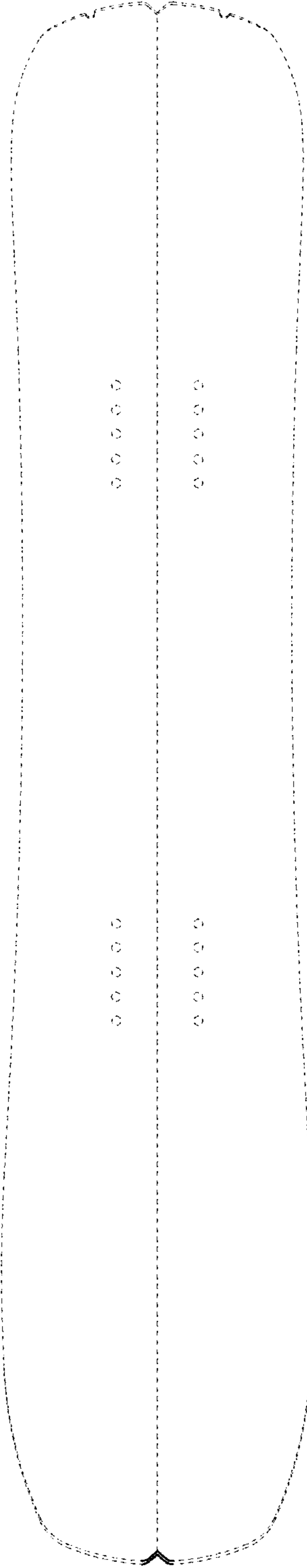


FIG. 2

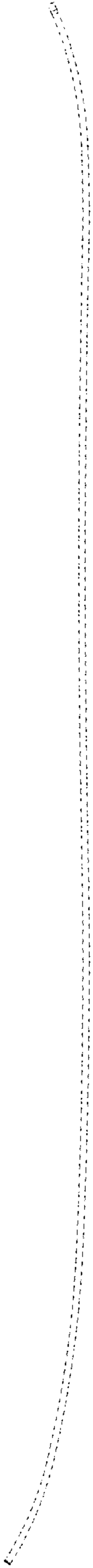


FIG. 3



FIG. 4

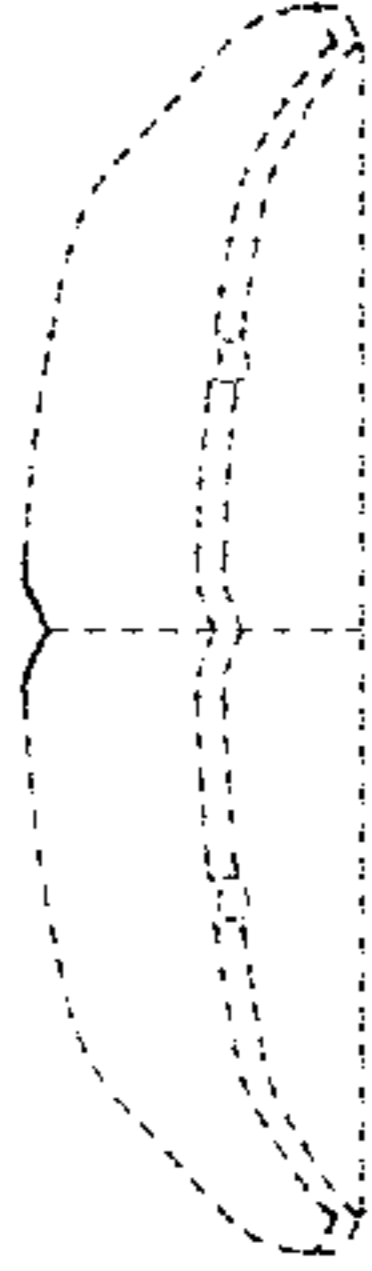


FIG. 5

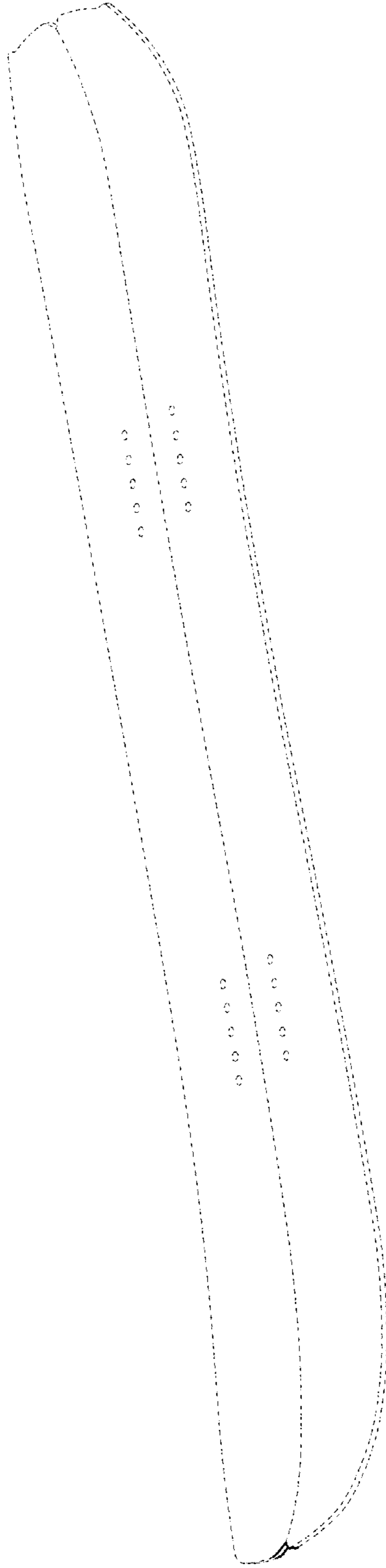


FIG. 6

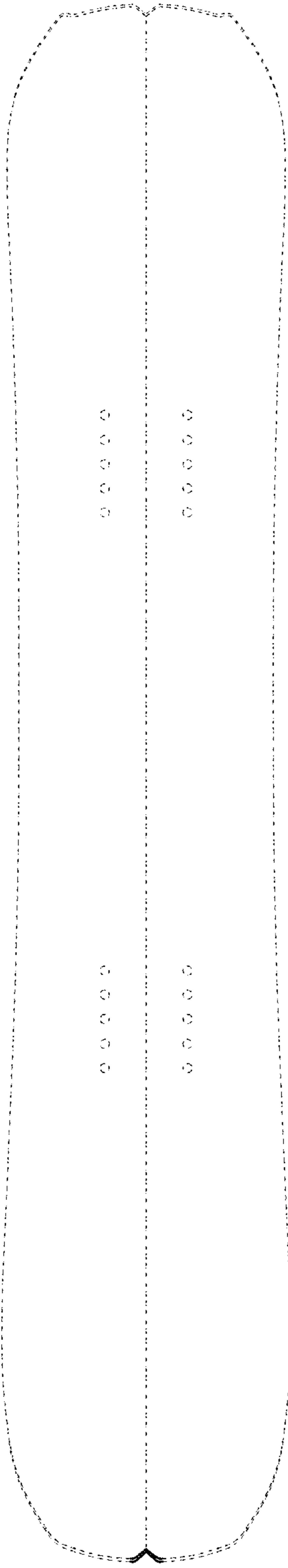


FIG. 7

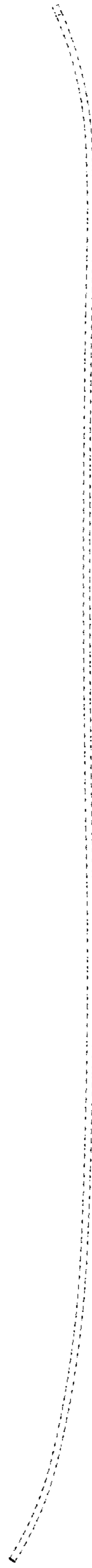


FIG. 8

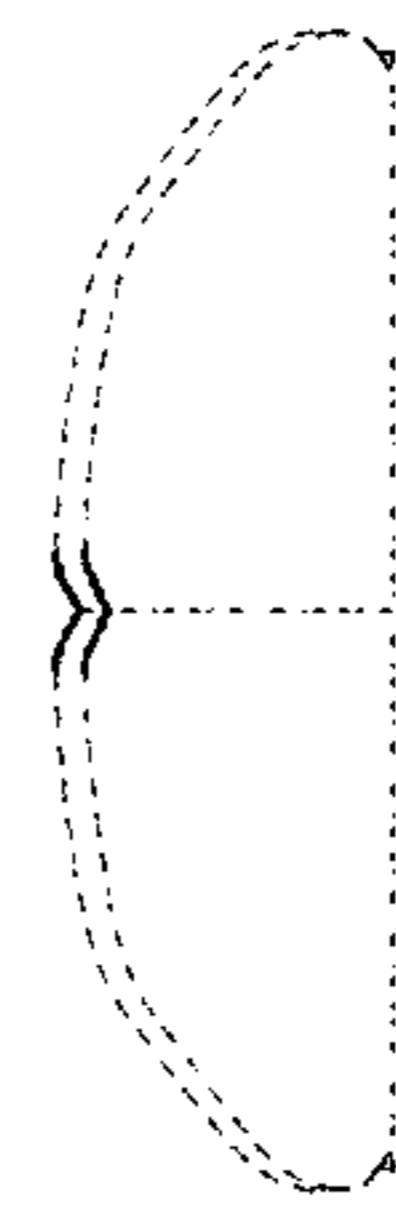


FIG. 9

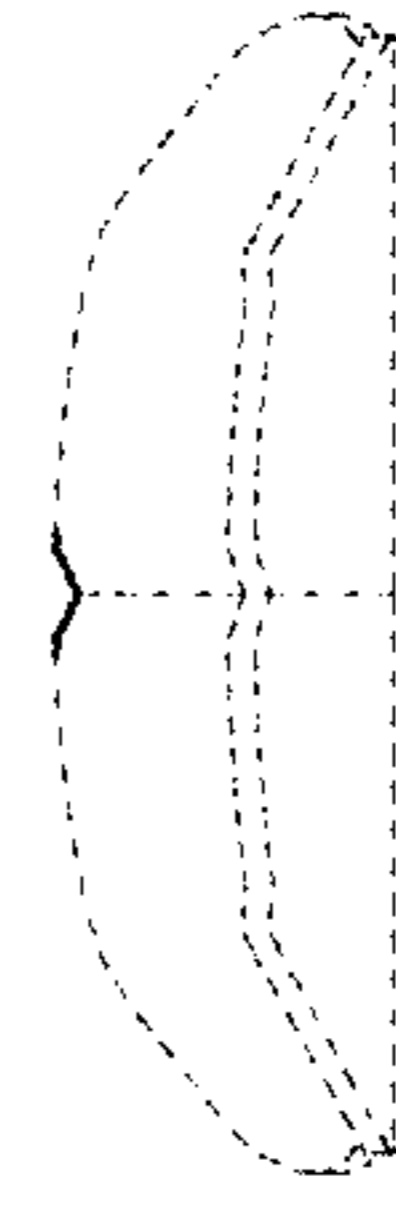


FIG. 10

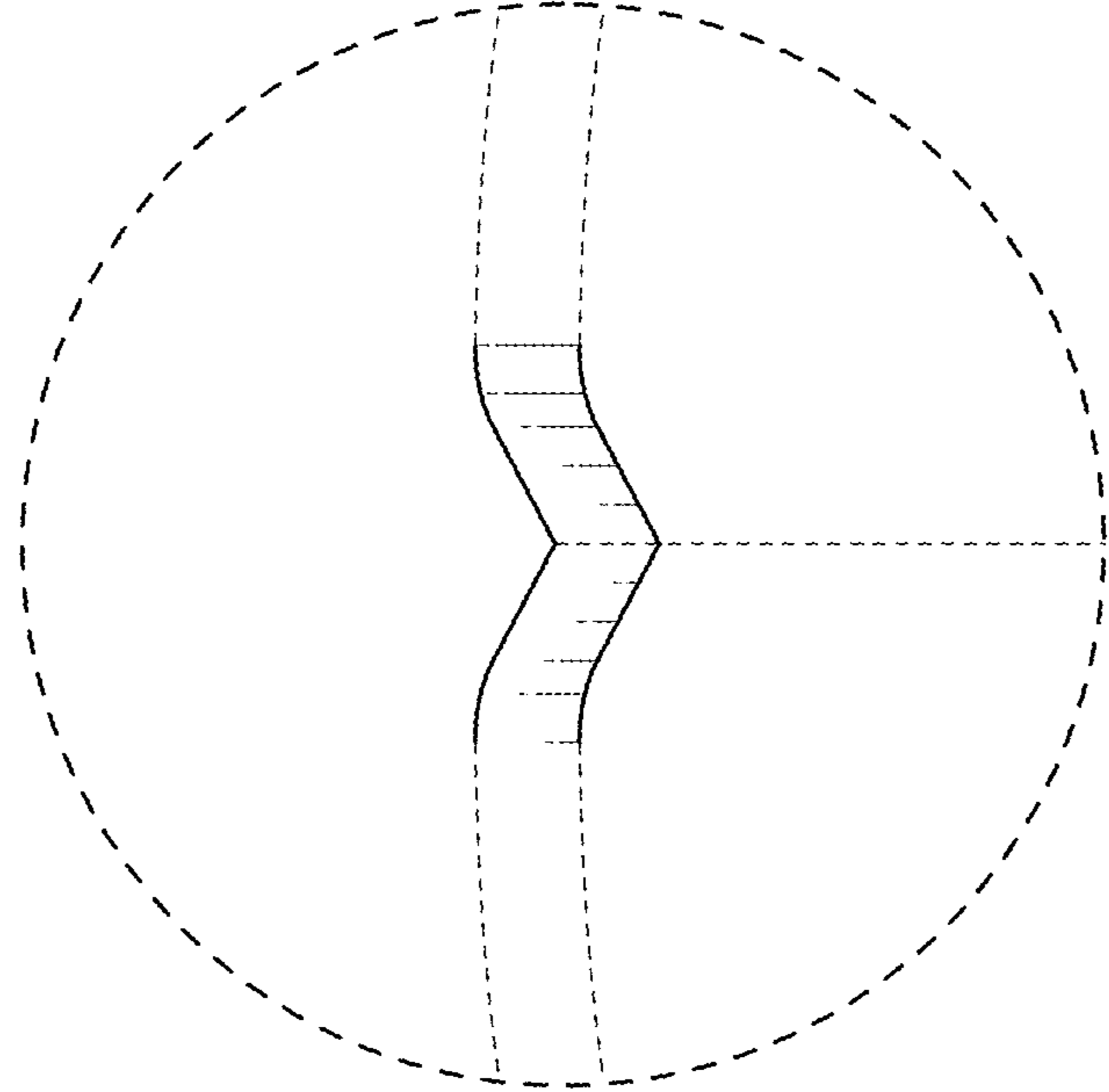


FIG. 12

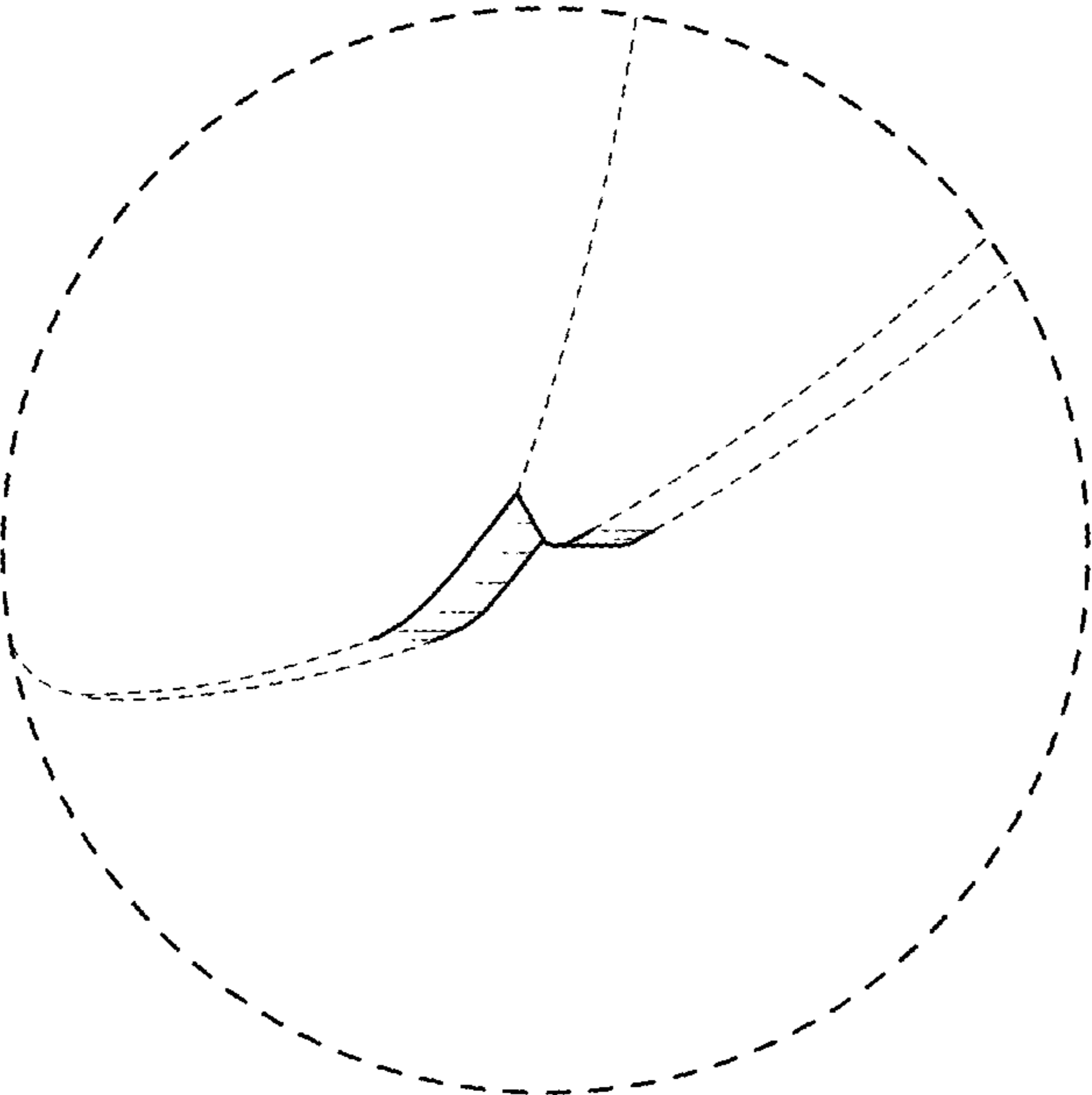


FIG. 11