



US00D985697S

(12) **United States Design Patent** (10) **Patent No.:** **US D985,697 S**
Hetrick (45) **Date of Patent:** **** May 9, 2023**

(54) **EXERCISE BAND HANDLE**
(71) Applicant: **Fitness Anywhere LLC**, San Francisco, CA (US)
(72) Inventor: **Randal Hetrick**, San Francisco, CA (US)
(73) Assignee: **JFXD TRX ACQ LLC**, Delray Beach, FL (US)

D678,434 S * 3/2013 Hughes D21/692
D688,338 S * 8/2013 Bisson D21/694
D725,202 S * 3/2015 Hunt D21/662
D793,189 S * 8/2017 Renne D8/14
(Continued)

FOREIGN PATENT DOCUMENTS

CN 302178427 * 4/2021
EM 002695239-0007 * 5/2015
(Continued)

(**) **Term:** **15 Years**

OTHER PUBLICATIONS

(21) Appl. No.: **29/735,218**
(22) Filed: **May 19, 2020**
(51) **LOC (14) Cl.** **21-01**
(52) **U.S. Cl.**
USPC **D21/694**
(58) **Field of Classification Search**
USPC D21/684, 694, 726, 796, 782, 369, 662;
D8/14, 70, 107
CPC ... A63B 21/065; A63B 2209/10; A63B 60/08;
A63B 6/00; F41H 9/10
See application file for complete search history.

TriFlexUSA Elite Resistance Band Handles with Clips, first available Jun. 19, 2020, amazon.com [online], site visited Aug. 16, 2021], Available from internet URL: https://amzn.to/2UnBIGp (Year: 2020).*
(Continued)

Primary Examiner — Jack Reickel
Assistant Examiner — Salamah Jordan
(74) *Attorney, Agent, or Firm* — Duane Morris LLP

(57) **CLAIM**

The ornamental design for an exercise band handle, as shown and described.

(56) **References Cited**

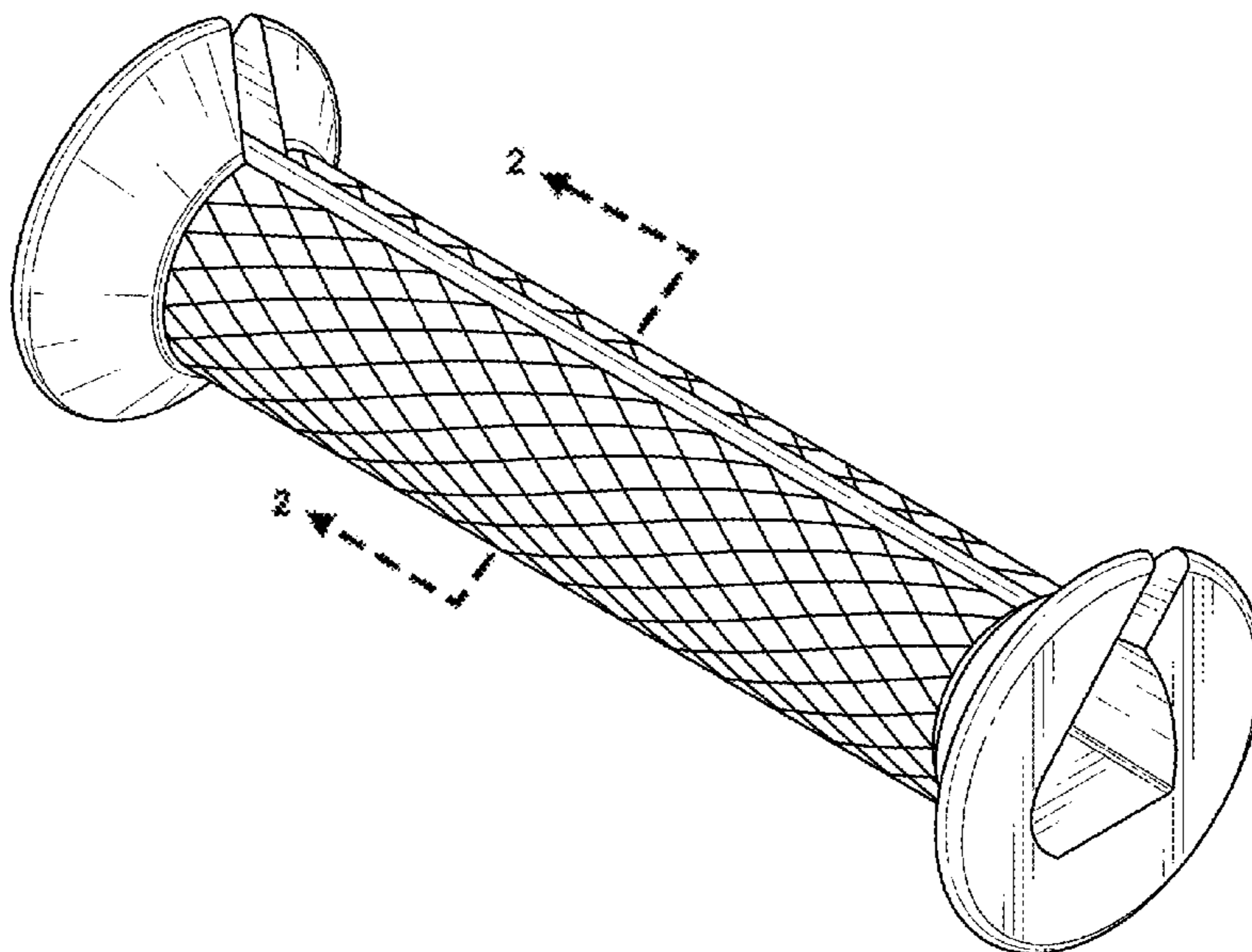
DESCRIPTION

U.S. PATENT DOCUMENTS

4,493,494 A * 1/1985 Feagin, Jr. A63C 11/222
135/76
5,135,455 A * 8/1992 King A63B 21/0726
482/105
5,580,343 A * 12/1996 Cafiero B65D 23/106
482/139
D377,745 S * 2/1997 Laun D8/107
5,823,922 A * 10/1998 Eckmann A63B 21/4035
482/108
D540,884 S * 4/2007 Mallory D21/369
D602,662 S * 10/2009 Conner D32/31
D616,950 S * 6/2010 Hersee D21/682
D669,945 S * 10/2012 Russo D21/662

FIG. 1 is an isometric view of the exercise band handle, showing the new design.
FIG. 2 is an isometric sectional view thereof.
FIG. 3 is a front view thereof.
FIG. 4 is a back view thereof.
FIG. 5 is a top view thereof.
FIG. 6 is a bottom view thereof.
FIG. 7 is a left side view thereof; and,
FIG. 8 is a right side view thereof.
The cross-hatched portions of the drawings are for illustrative purposes only and form no part of the claimed design.

1 Claim, 4 Drawing Sheets



(56)

References Cited

U.S. PATENT DOCUMENTS

D861,804 S * 10/2019 Rios D21/662
D891,543 S * 7/2020 Manton, III D21/694
10,806,987 B2 * 10/2020 Burns A63B 21/4035
D921,213 S * 6/2021 Delgado D24/211
D923,118 S * 6/2021 Hughes D21/662
D958,272 S * 7/2022 Leclair D21/694
D958,906 S * 7/2022 Chen D21/662
2019/0001211 A1 * 1/2019 Burns A63B 21/0724
2020/0164244 A1 * 5/2020 Gilmore A63B 21/151
2021/0154546 A1 * 5/2021 Sliepka A63B 21/4035
2021/0170235 A1 * 6/2021 Cone A63B 21/4015
2022/0369765 A1 * 11/2022 Behnamian A43B 13/36

FOREIGN PATENT DOCUMENTS

EM 002695239-0008 * 5/2015
EM 002695239-0010 * 5/2015

OTHER PUBLICATIONS

Allbingo Pro Cable Handles Compatible with Cable Machines and Bowflex, first available Jul. 31, 2019, amazon.com [online], site visited Aug. 16, 2021], Available from internet URL: <https://amzn.to/3g8WQIe> (Year: 2019).*

Aboom Upgraded Workout Handles for Cable Machines and Bowflex, first available Apr. 15, 2019, amazon.com [online], site visited Aug. 16, 2021], Available from internet URL: <https://amzn.to/3jXMY5g> (Year: 2019).*

“IRibit Fitness Professional Exercise Handles” Jan. 5, 2018, Amazon, site visited Dec. 4, 2022: <https://amzn.to/3ioypKH> (Year: 2018).*

* cited by examiner

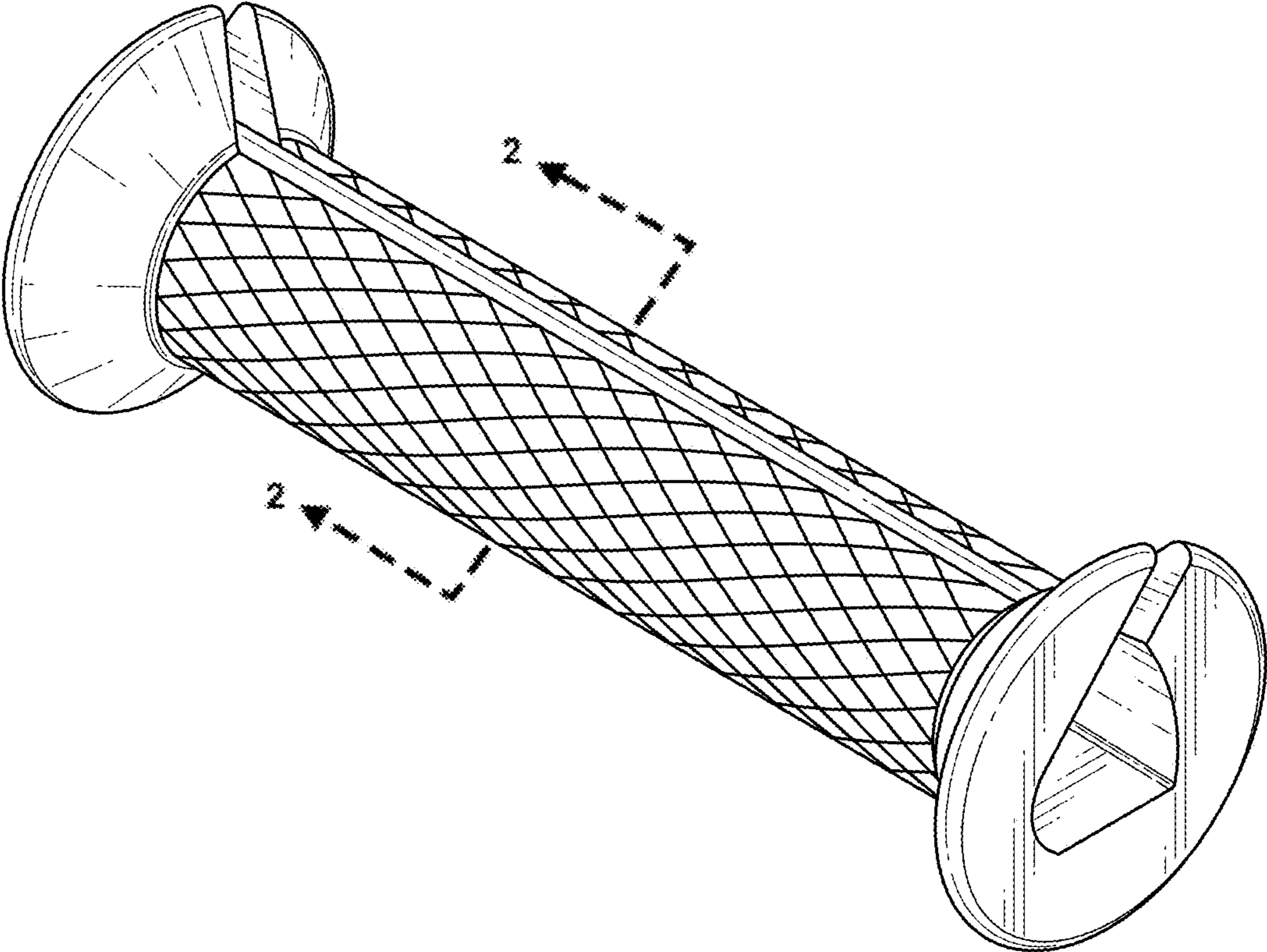


FIG. 1

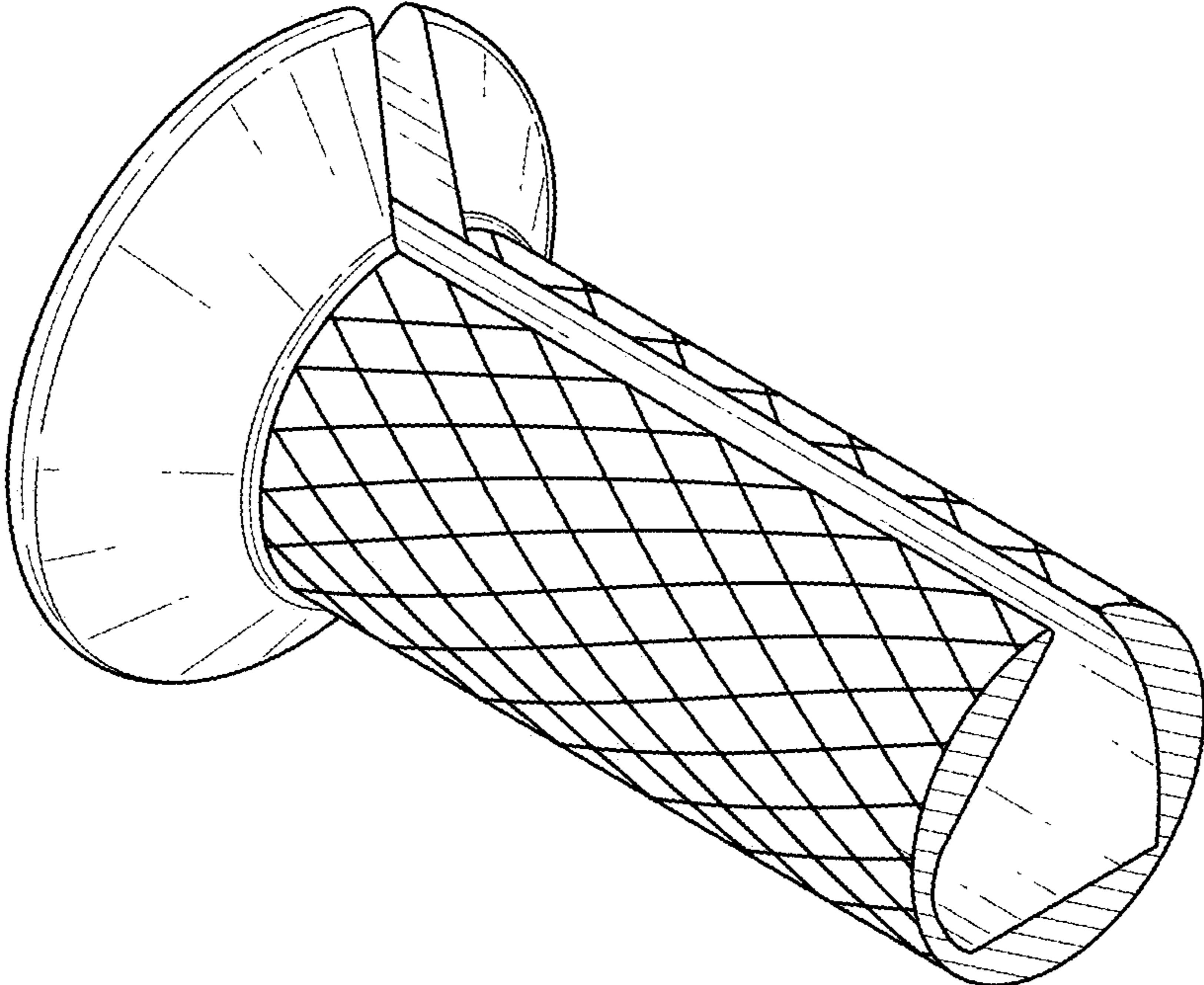


FIG. 2

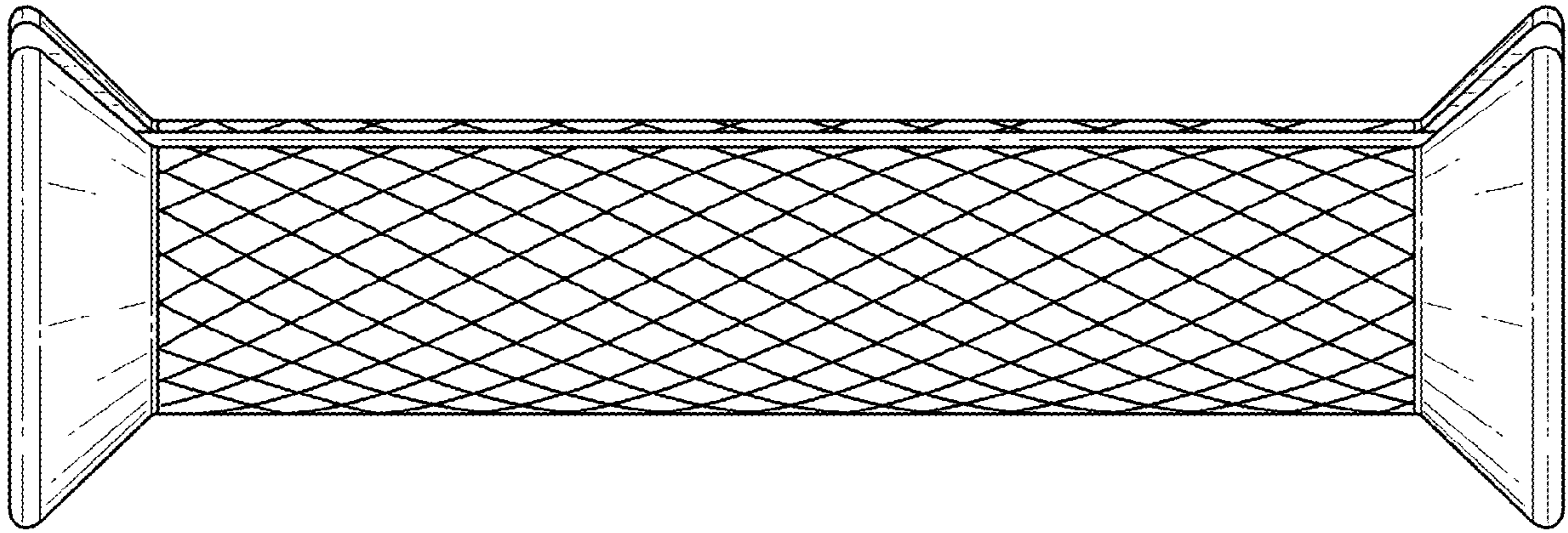


FIG. 3

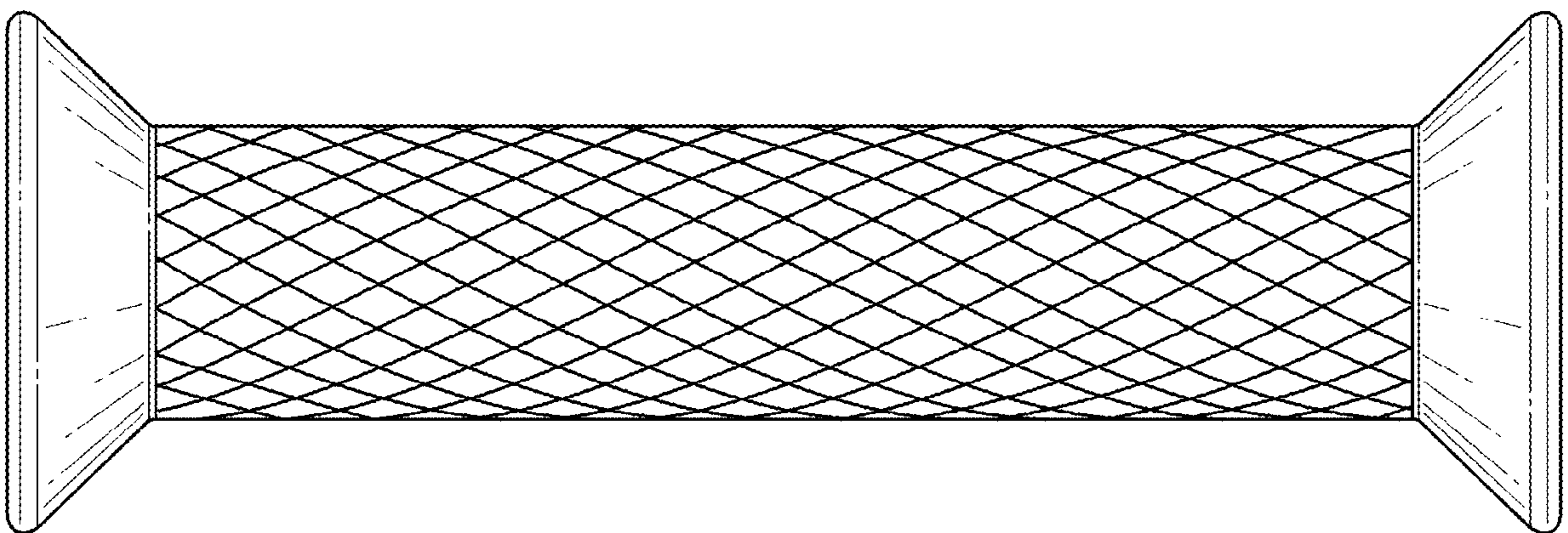


FIG. 4

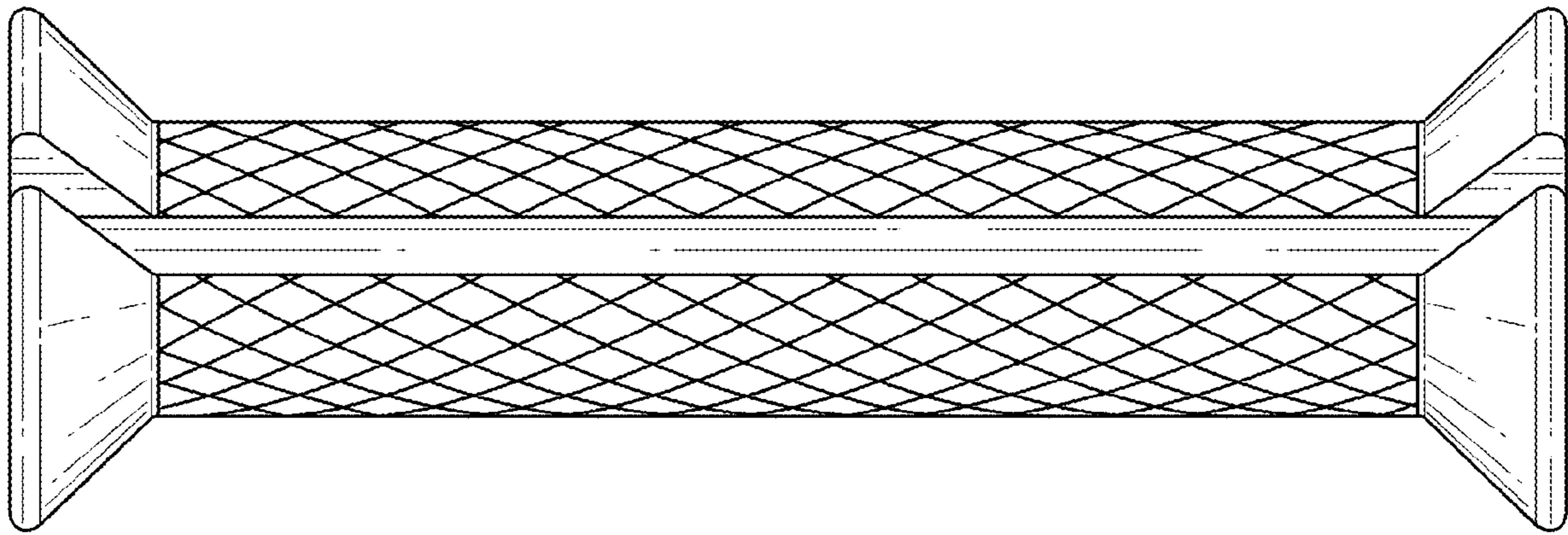


FIG. 5

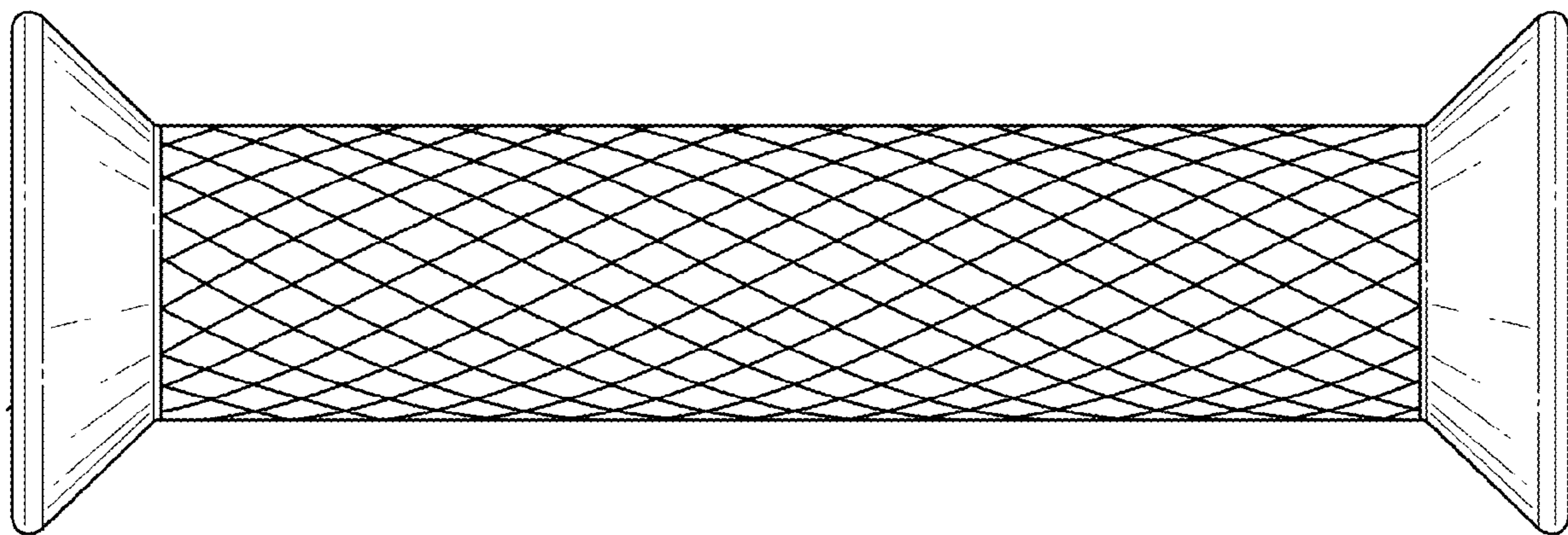


FIG. 6

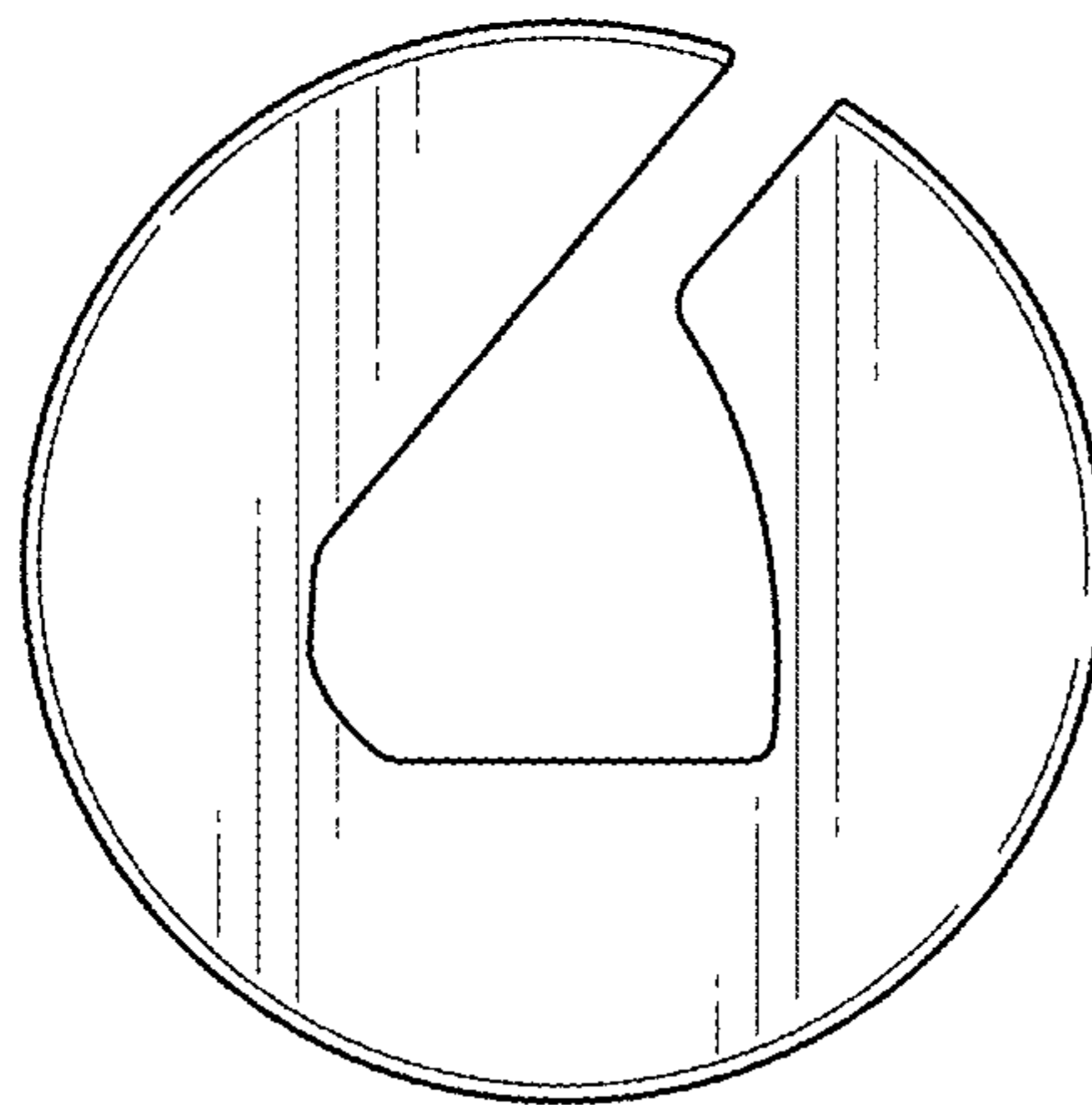


FIG. 7

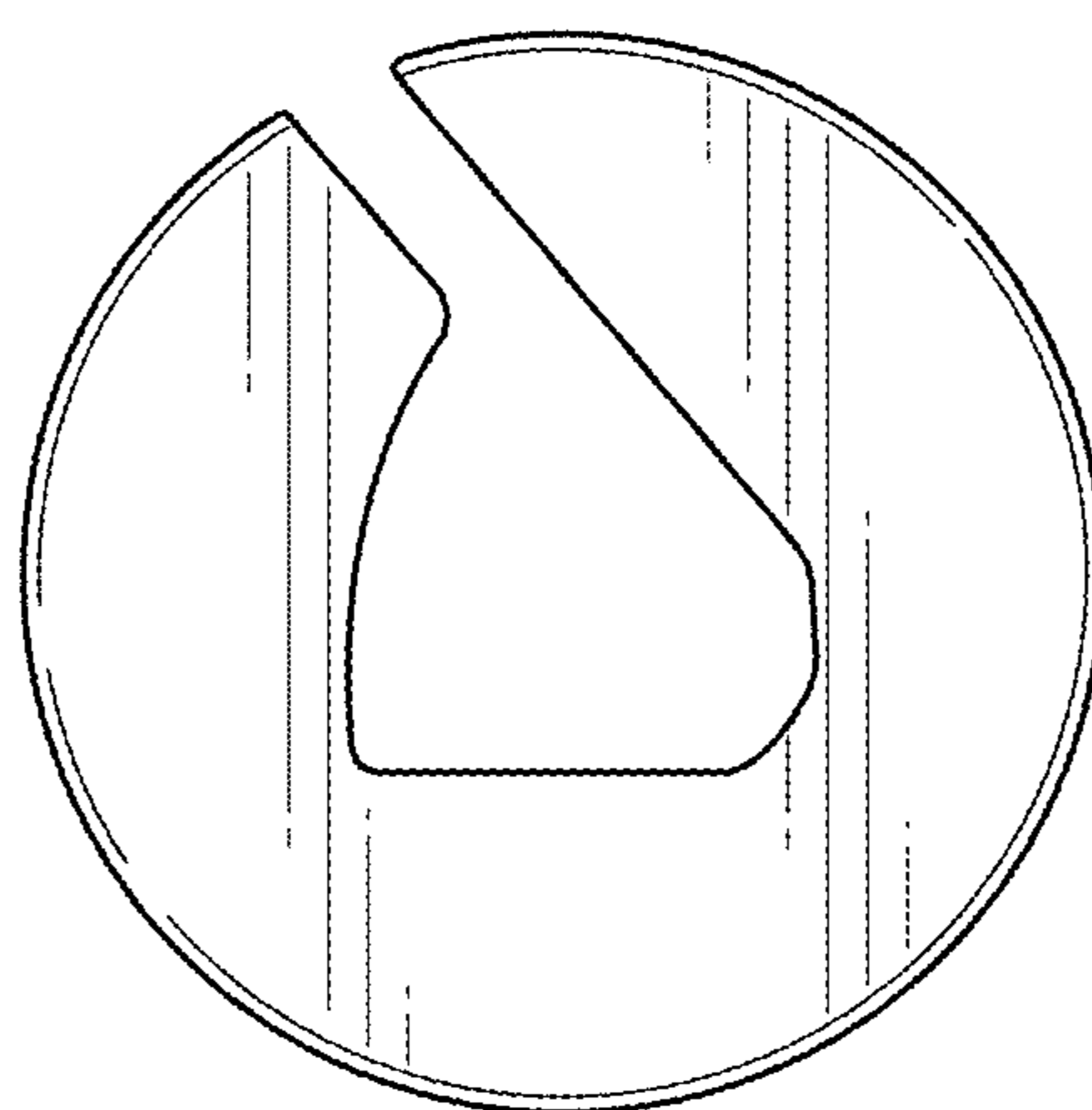


FIG. 8