



US00D985695S

(12) **United States Design Patent** (10) **Patent No.:** **US D985,695 S**  
**Smith** (45) **Date of Patent:** **\*\* May 9, 2023**

(54) **WATER ROWER**

(71) Applicant: **Stephen Smith**, Marrero, LA (US)

(72) Inventor: **Stephen Smith**, Marrero, LA (US)

(\*\*) Term: **15 Years**

(21) Appl. No.: **29/795,137**

(22) Filed: **Jun. 17, 2021**

**Related U.S. Application Data**

(63) Continuation-in-part of application No. 29/726,344, filed on Mar. 3, 2020, now Pat. No. Des. 936,161.

(51) **LOC (14) Cl.** ..... **21-02**

(52) **U.S. Cl.**  
USPC ..... **D21/674**

(58) **Field of Classification Search**  
USPC ..... D21/674, 676, 666, 695, 694, 686, 690,  
D21/688, 662, 675, 679; D15/66, 69, 72,  
D15/76, 78; D6/322, 702; D17/22  
CPC ..... A63B 23/0211; A63B 21/0084; A63B  
21/4035; A63B 22/0076; A63B 21/225;  
A63B 21/068; A63B 2208/0233; A63B  
22/0087  
See application file for complete search history.

(56) **References Cited**

**U.S. PATENT DOCUMENTS**

D367,508 S *	2/1996	Dreissigacker	.....	D21/674
D414,519 S *	9/1999	Wang	.....	D21/676
D659,775 S *	5/2012	Olson	.....	D21/673
D861,805 S *	10/2019	Lisi	.....	D21/674
D893,286 S *	8/2020	Xu	.....	D8/360
D923,119 S *	6/2021	Hsieh	.....	D21/674
D936,160 S *	11/2021	Blum	.....	D21/674
D936,161 S *	11/2021	Smith	.....	D21/674
D944,339 S *	2/2022	Yang	.....	D21/674
D951,073 S *	5/2022	Lee	.....	D8/360

D961,019 S *	8/2022	Tian	.....	D21/674
D967,304 S *	10/2022	Smith	.....	D21/674
D969,243 S *	11/2022	Lu	.....	D21/674
2019/0118021 A1 *	4/2019	Liu	.....	A63B 21/0084
2020/0384305 A1 *	12/2020	Hsieh	.....	A63B 21/0084
2021/0101052 A1 *	4/2021	Gore	.....	G06F 3/04847
2021/0170221 A1 *	6/2021	Hsu	.....	A63B 21/153
2021/0244996 A1 *	8/2021	Gearon	.....	A63B 21/0084

**OTHER PUBLICATIONS**

Dual Handle Rowing Machine. Online, published date Oct. 19, 2020. Retrieved on Jan. 17, 2023 from URL: <https://www.amazon.com/Womens-Health-Mens-Bluetooth-MyCloudFitness/dp/B08LG3CLGW/>.\*

Gymax 4 in 1 Rowing Machine. Online, published date Dec. 22, 2021. Retrieved on Jan. 17, 2023 from URL: <https://www.amazon.com/GYMAX-Adjustable-Resistance-Multifunctional-Abdominal/dp/B09P1JF8H1/>.\*

\* cited by examiner

*Primary Examiner* — Omeed Agilee

*Assistant Examiner* — David Truong

(74) *Attorney, Agent, or Firm* — David M. Stein

(57) **CLAIM**

The ornamental design for a water rower, as shown and described.

**DESCRIPTION**

FIG. 1 is a right perspective view of a water rower showing the new design.

FIG. 2 is a rear view thereof.

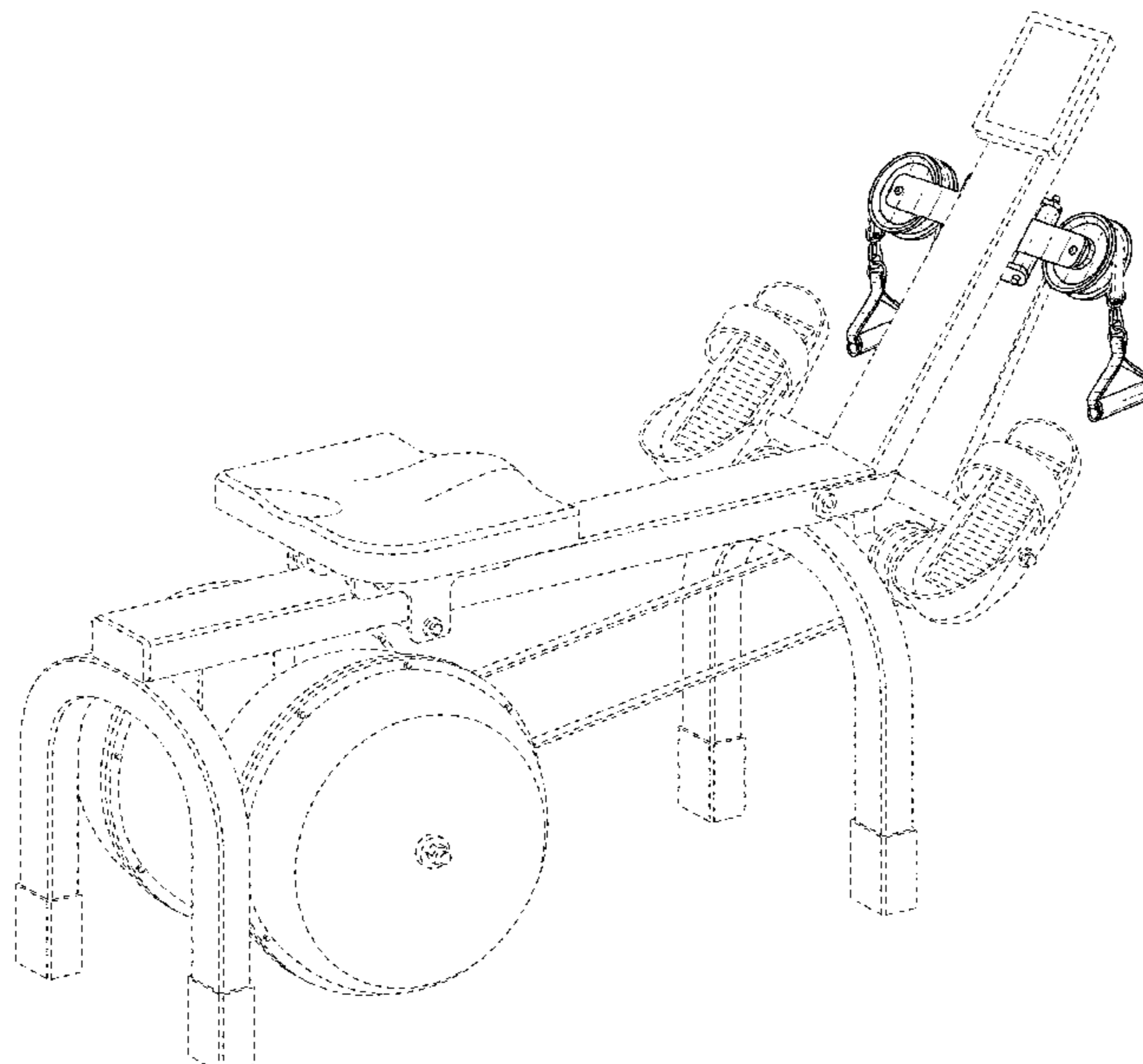
FIG. 3 is a front view thereof.

FIG. 4 is a left side view thereof; and,

FIG. 5 is a right side view thereof.

The broken lines in the drawings depict portions of the water rower that form no part of the claimed design.

**1 Claim, 4 Drawing Sheets**



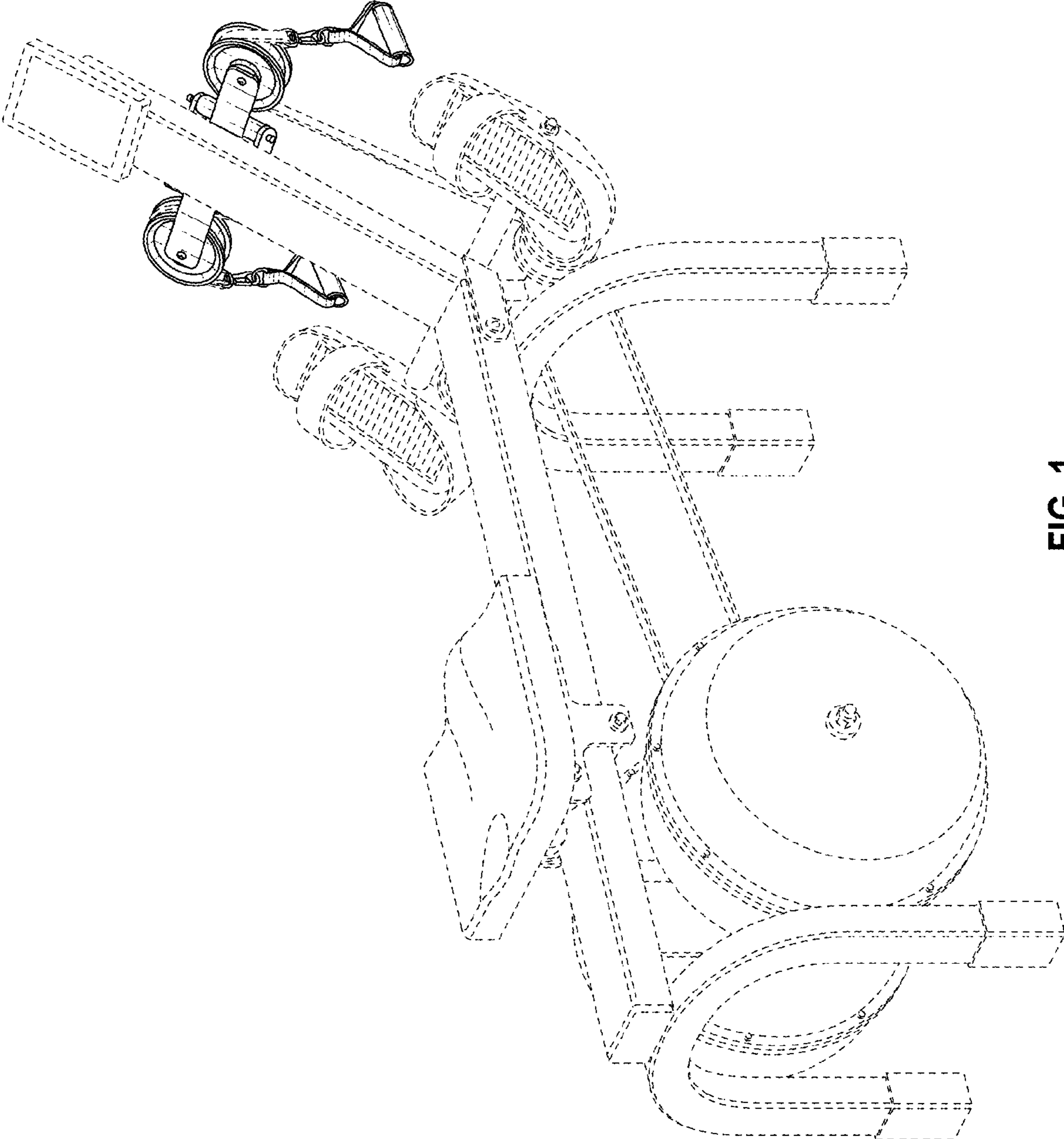


FIG. 1

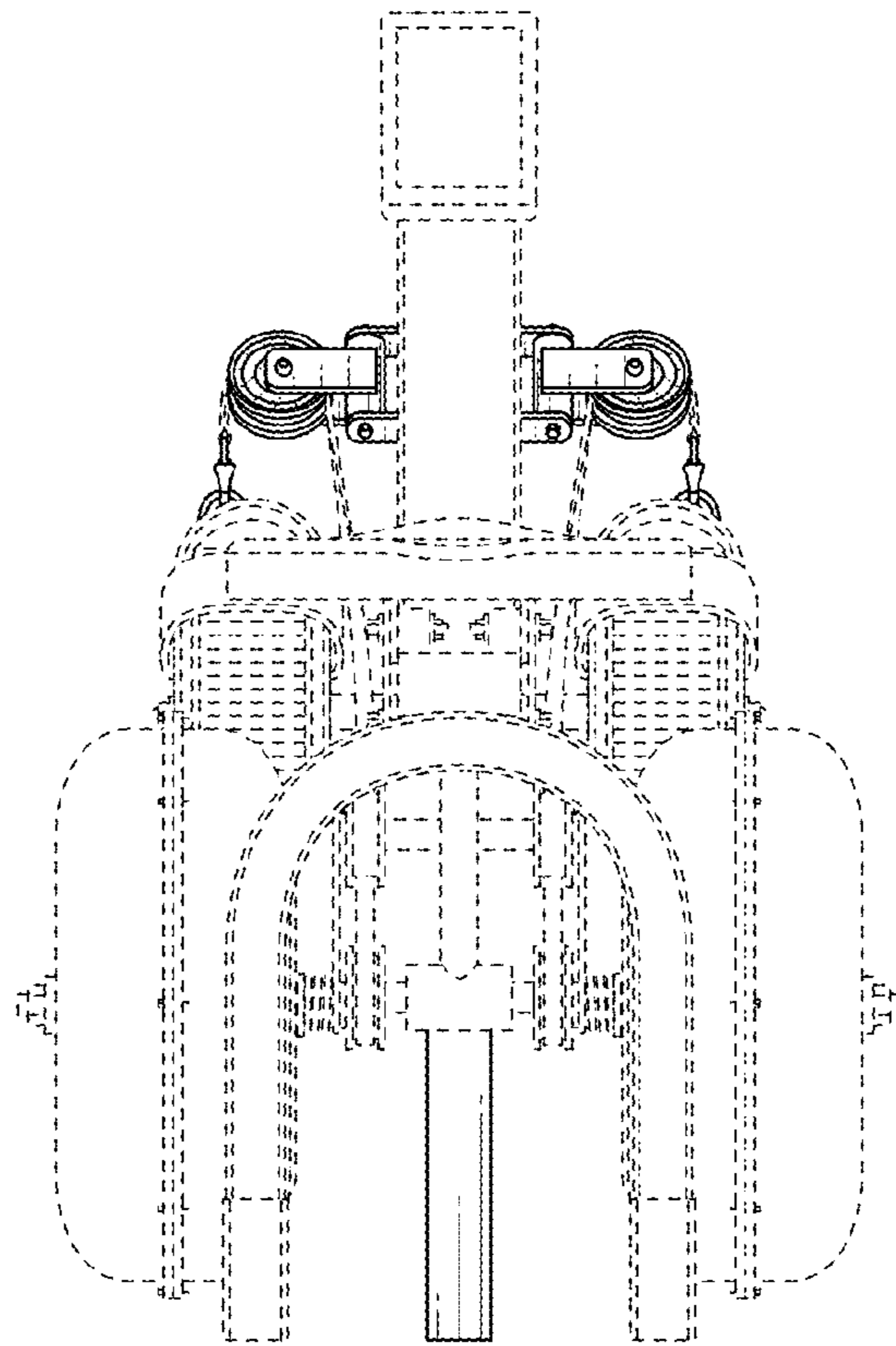


FIG. 2

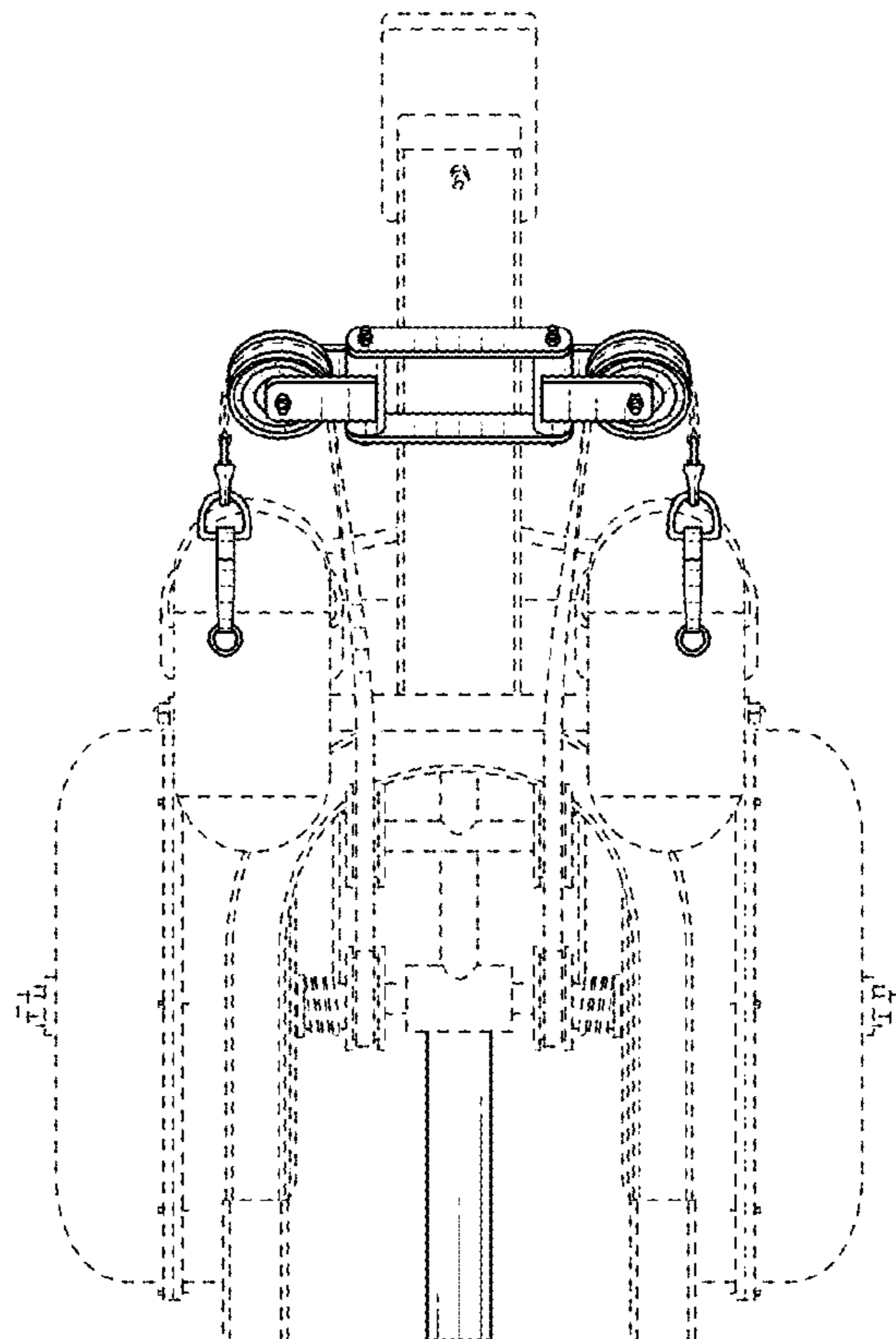


FIG. 3

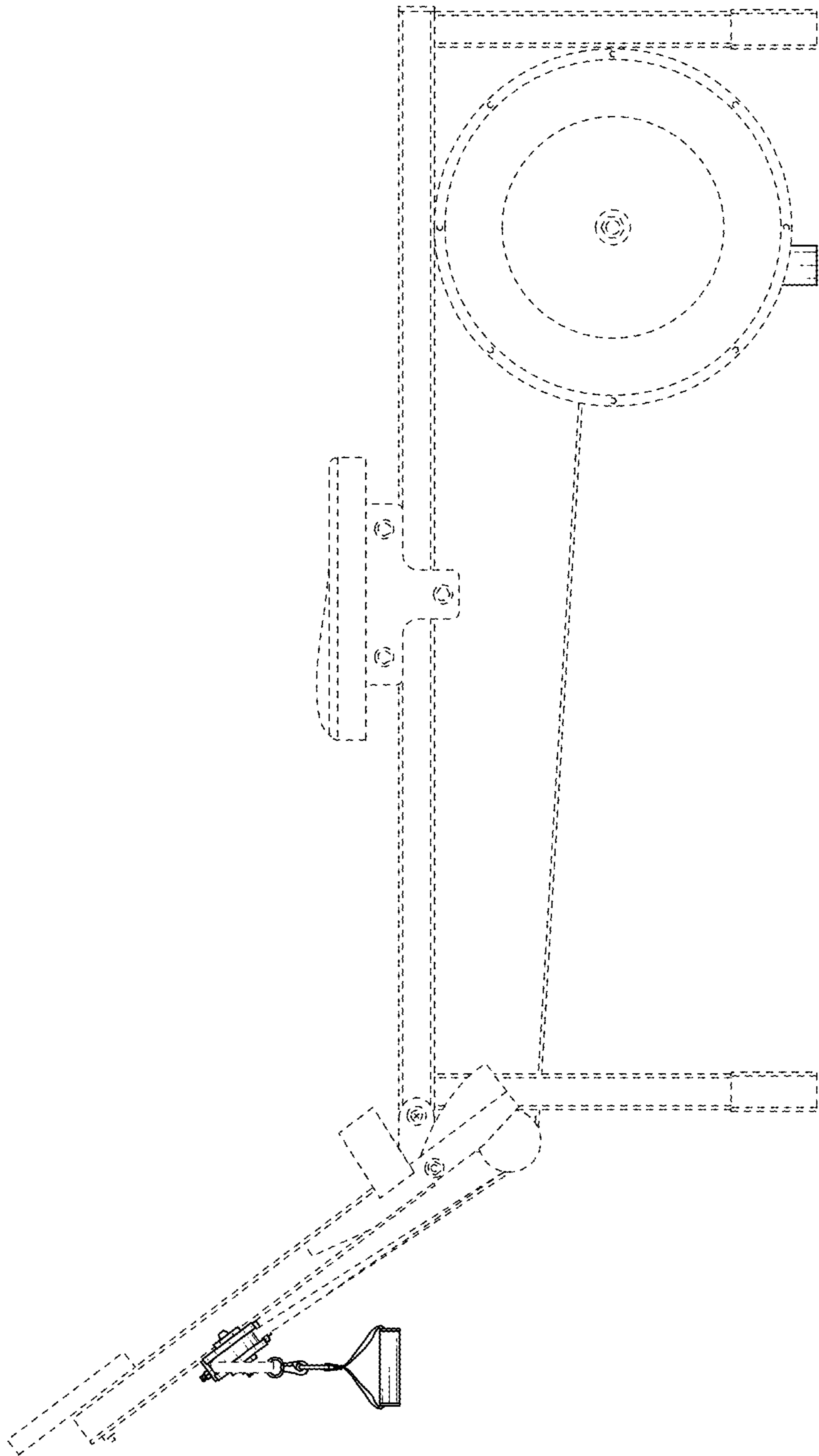


FIG. 4

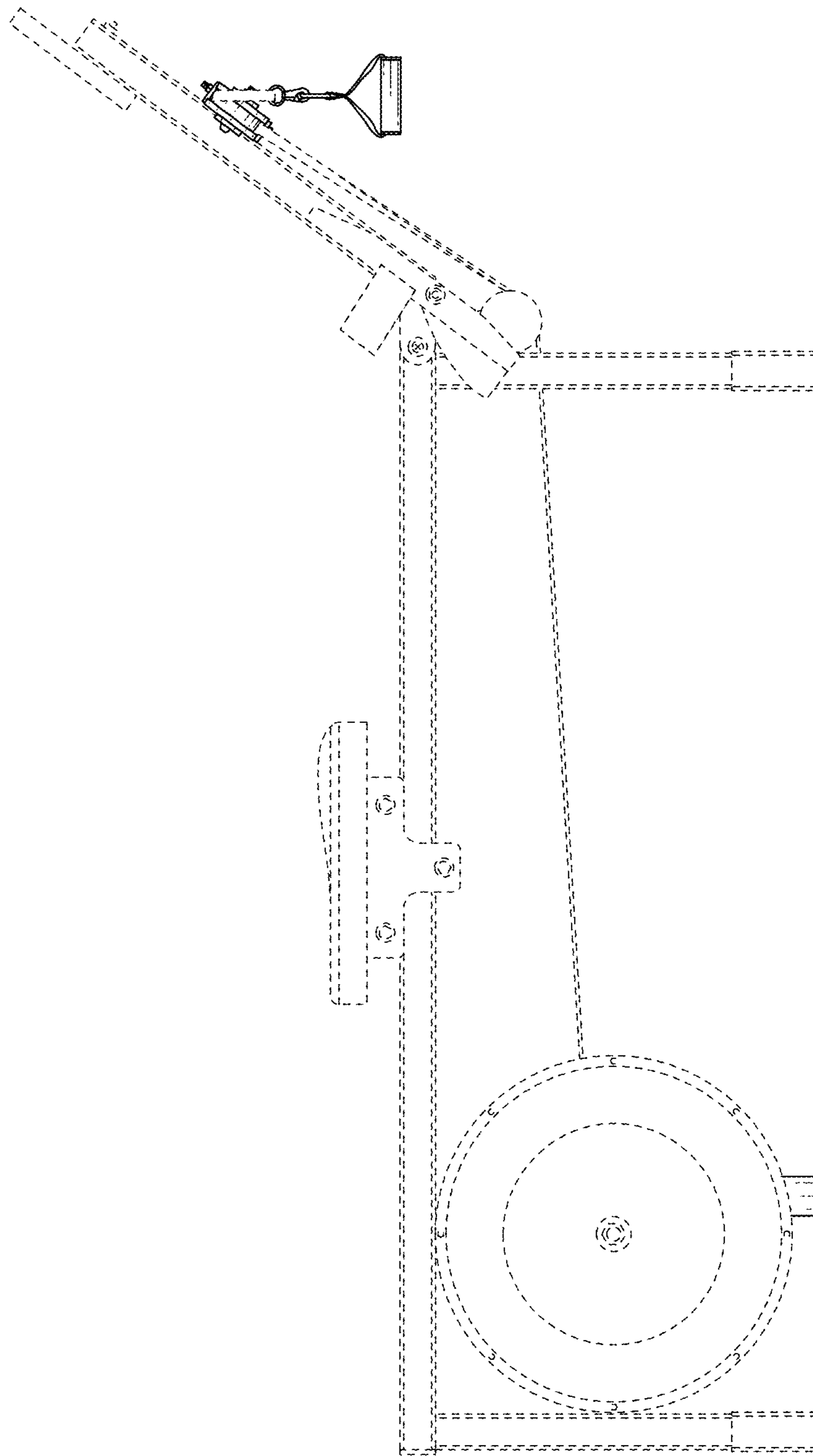


FIG. 5