



US00D985692S

(12) **United States Design Patent**
Clemmer

(10) **Patent No.:** **US D985,692 S**

(45) **Date of Patent:** **** May 9, 2023**

(54) **TOY HYDRAULIC ROBOTIC ARM**

(71) Applicant: **MerchSource, LLC**, Irvine, CA (US)

(72) Inventor: **Jesse Duane Clemmer**, Huntington Beach, CA (US)

(73) Assignee: **MerchSource, LLC**, Irvine, CA (US)

(**) Term: **15 Years**

(21) Appl. No.: **29/673,104**

(22) Filed: **Dec. 12, 2018**

(51) **LOC (14) Cl.** **21-01**

(52) **U.S. Cl.**
USPC **D21/578**

(58) **Field of Classification Search**

USPC D15/199; D21/578–583, 621, 622
CPC .. A63H 3/00; G06N 5/00; B25J 9/0003; B25J 9/0006; B25J 9/0009; B25J 9/00

See application file for complete search history.

(56) **References Cited**

U.S. PATENT DOCUMENTS

D677,294 S *	3/2013	Long	D15/199
D811,491 S *	2/2018	Lee	D21/528
D825,632 S *	8/2018	Clemmer	D15/199
D837,294 S *	1/2019	Ciniello	D19/59
D841,712 S *	2/2019	Hontani	D15/199
D852,863 S *	7/2019	Dosho	D15/199
D865,828 S *	11/2019	Bogart	D15/199
D868,865 S *	12/2019	Bogart	D15/199
D870,169 S *	12/2019	Dosho	D15/199
D874,530 S *	2/2020	Haddadin	D15/199
D877,787 S *	3/2020	Kinoshita	D15/199
D878,443 S *	3/2020	Abe	D15/199
D881,251 S *	4/2020	Abe	D15/199
D882,655 S *	4/2020	Kouthoofd	D15/199
D883,352 S *	5/2020	Abe	D15/199
D885,452 S *	5/2020	Haddadin	D15/199

OTHER PUBLICATIONS

“Discovery Mindblown Hydraulic Robot Arm” Apr. 22, 2020, site visited Jan. 10, 2022: <https://www.thebrickcastle.com/2020/04/discovery-mindblown-hydraulic-robot-arm.html> (Year: 2020).*

* cited by examiner

Primary Examiner — Michael C Stout

Assistant Examiner — Melvin L Davis

(74) *Attorney, Agent, or Firm* — Avyno Law P.C.

(57) **CLAIM**

I claim the ornamental design for a toy hydraulic robotic arm, as shown and described.

DESCRIPTION

FIG. 1 is a front perspective view of a toy hydraulic robotic arm.

FIG. 2 is a rear perspective view of the toy hydraulic robotic arm of FIG. 1.

FIG. 3 is a side view of the right side of the toy hydraulic robotic arm of FIG. 1.

FIG. 4 is a side view of the left side of the toy hydraulic robotic arm of FIG. 1.

FIG. 5 is a front view of the toy hydraulic robotic arm of FIG. 1.

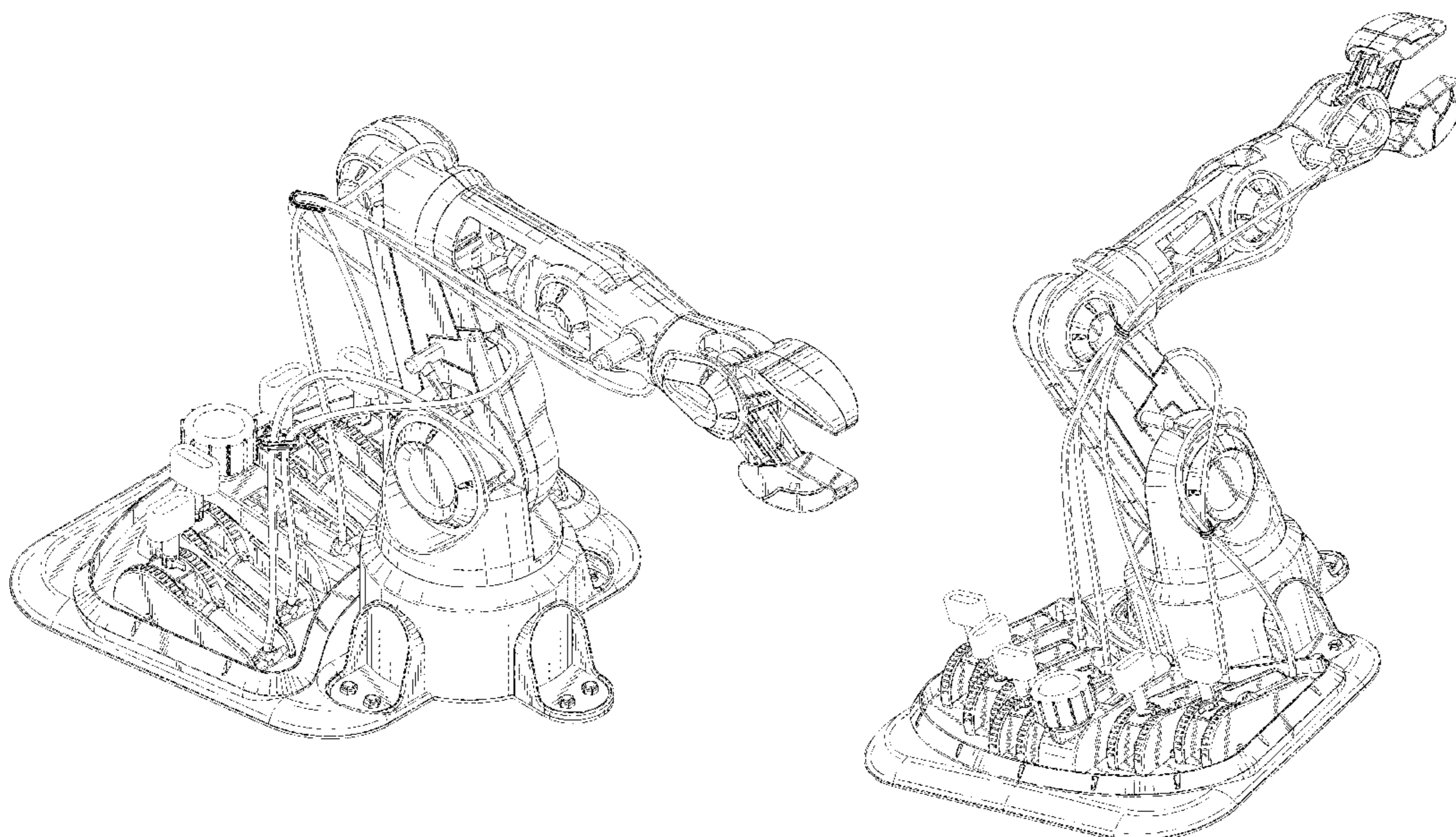
FIG. 6 is a back view of the toy hydraulic robotic arm of FIG. 1.

FIG. 7 is a top view of the toy hydraulic robotic arm of FIG. 1; and,

FIG. 8 is a bottom view of the toy hydraulic robotic arm of FIG. 1.

The dashed lines in various figures are for illustrative purposes only and form no part of the claimed design, and areas surrounded by broken lines form no part of the claimed design.

1 Claim, 8 Drawing Sheets



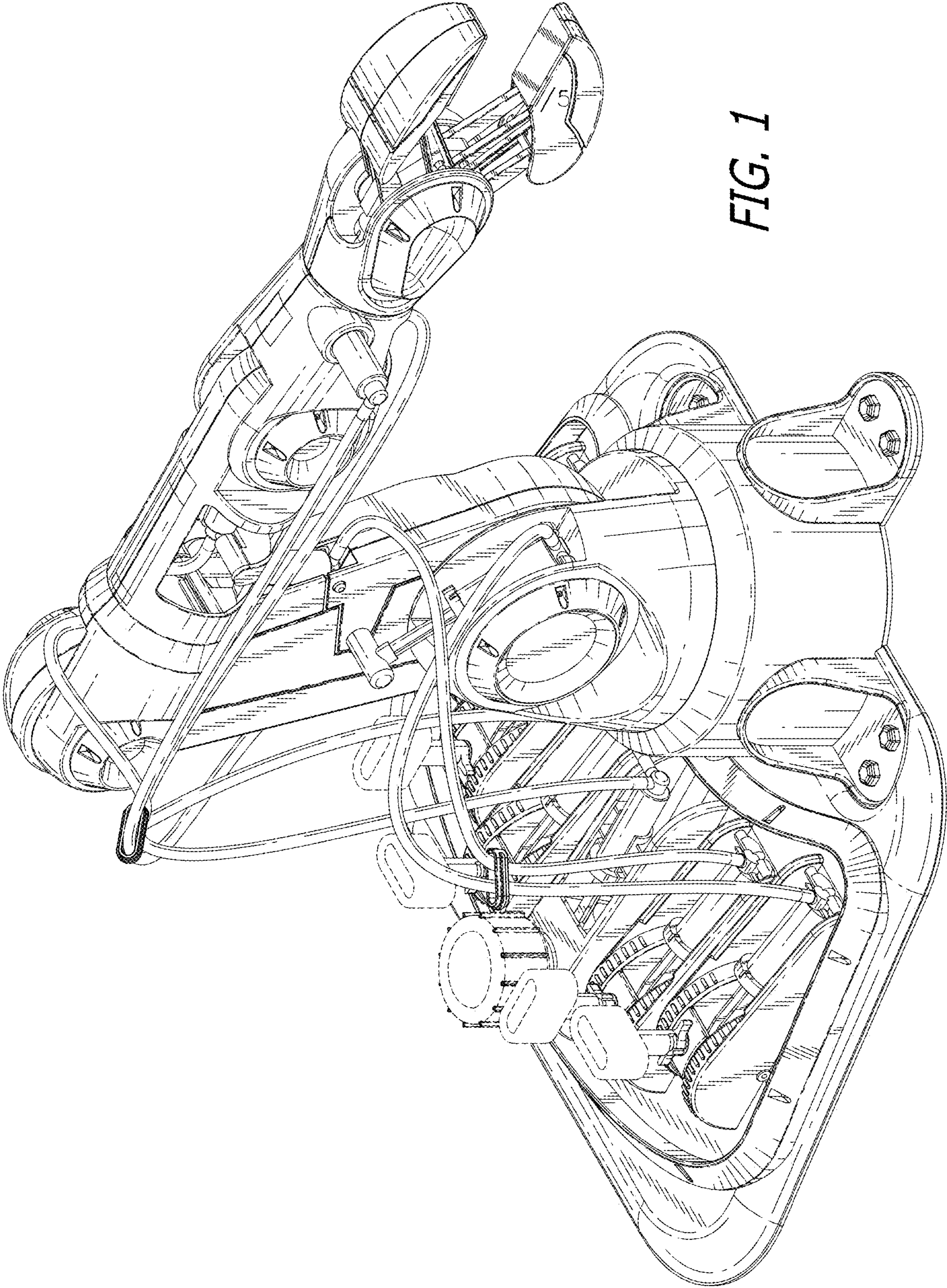
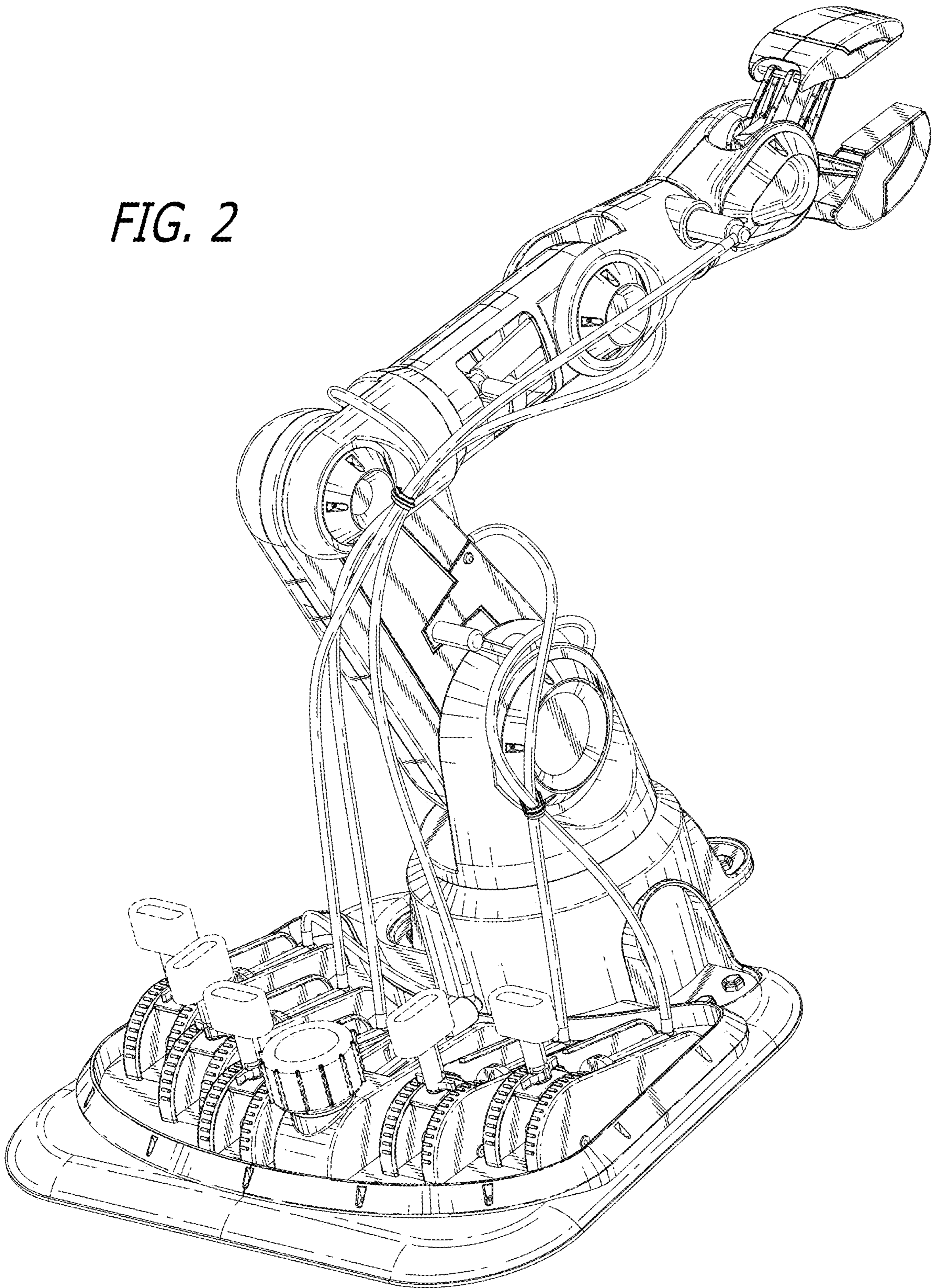


FIG. 1

FIG. 2



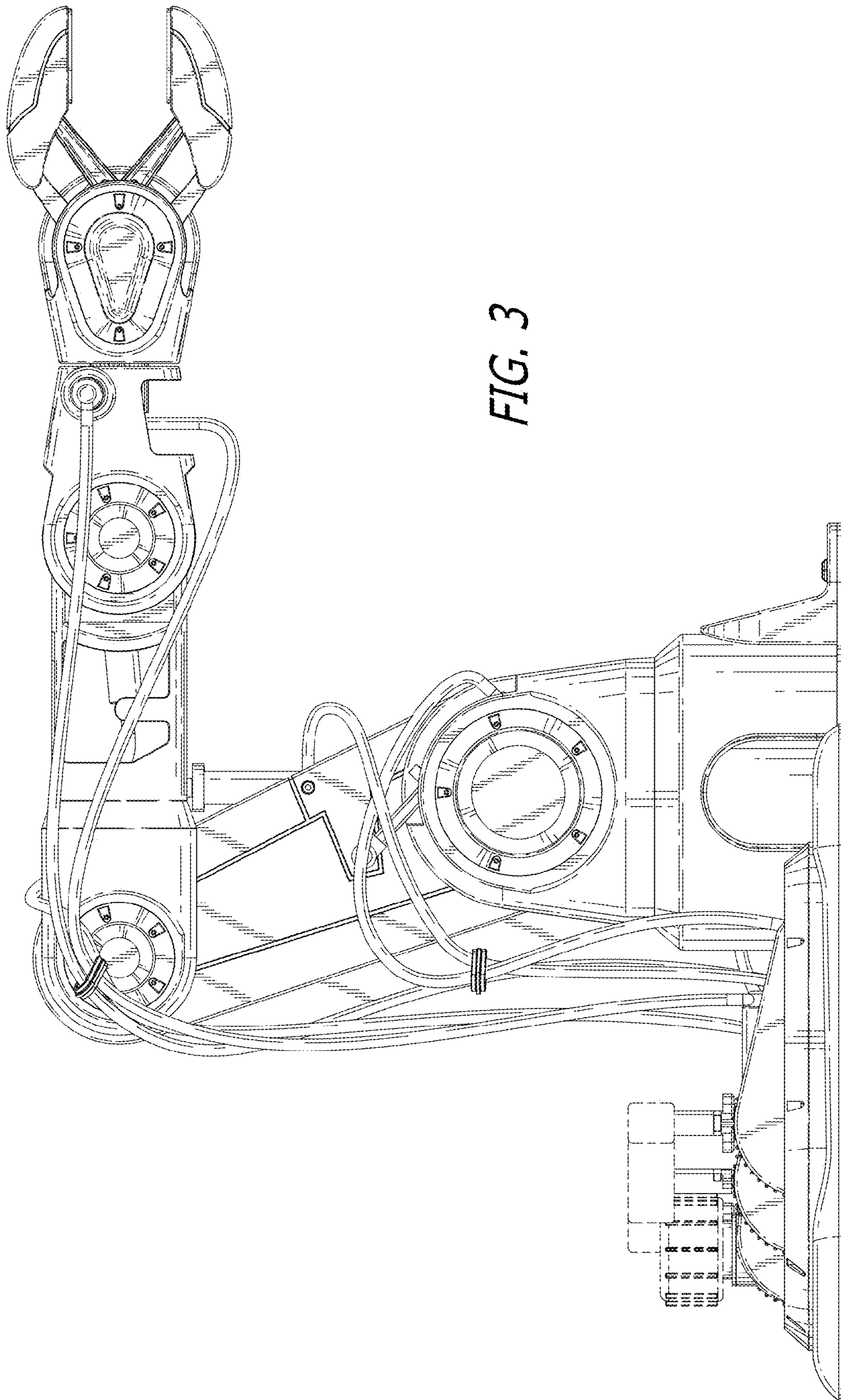


FIG. 3

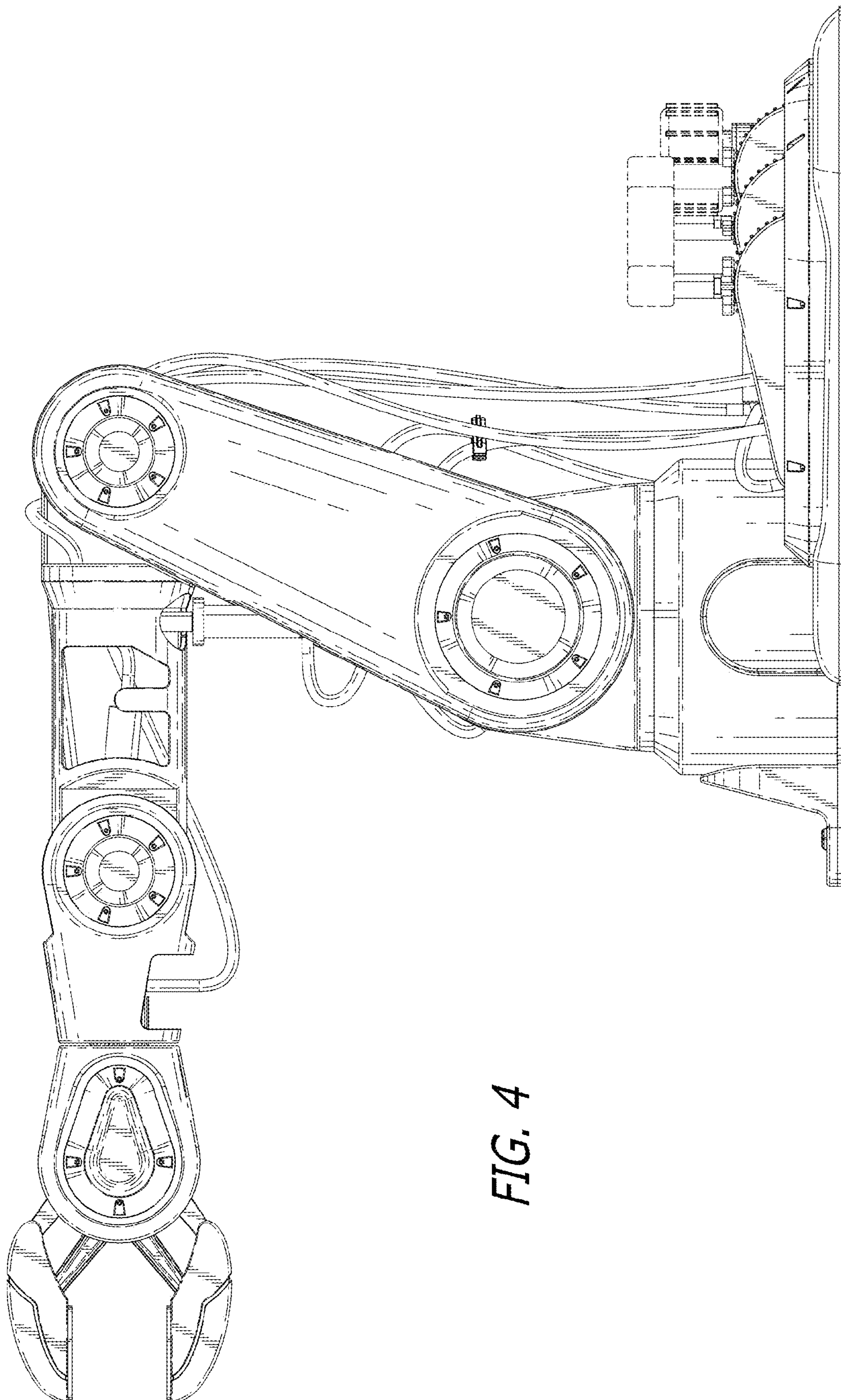


FIG. 4

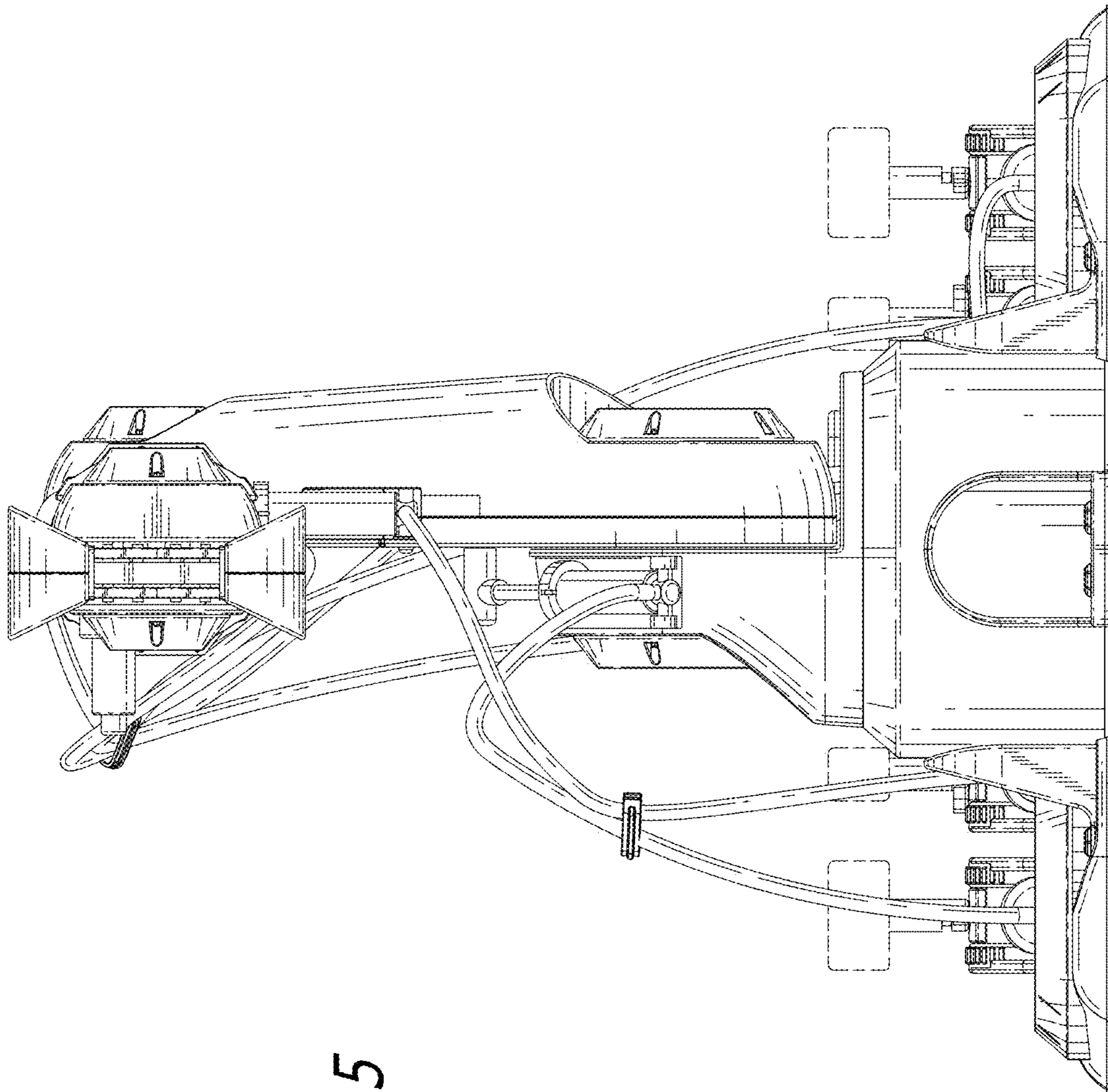


FIG. 5

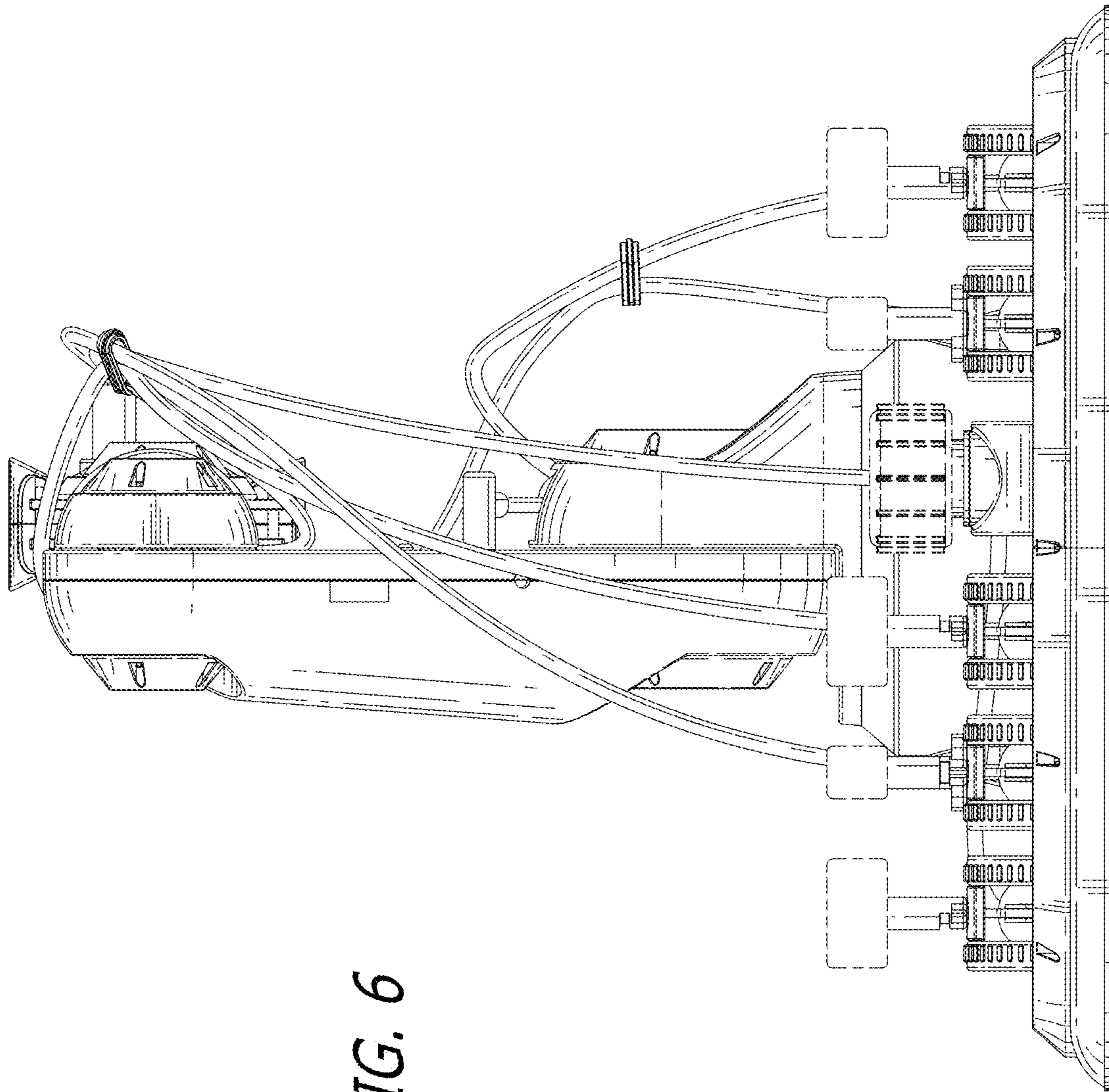


FIG. 6

FIG. 7

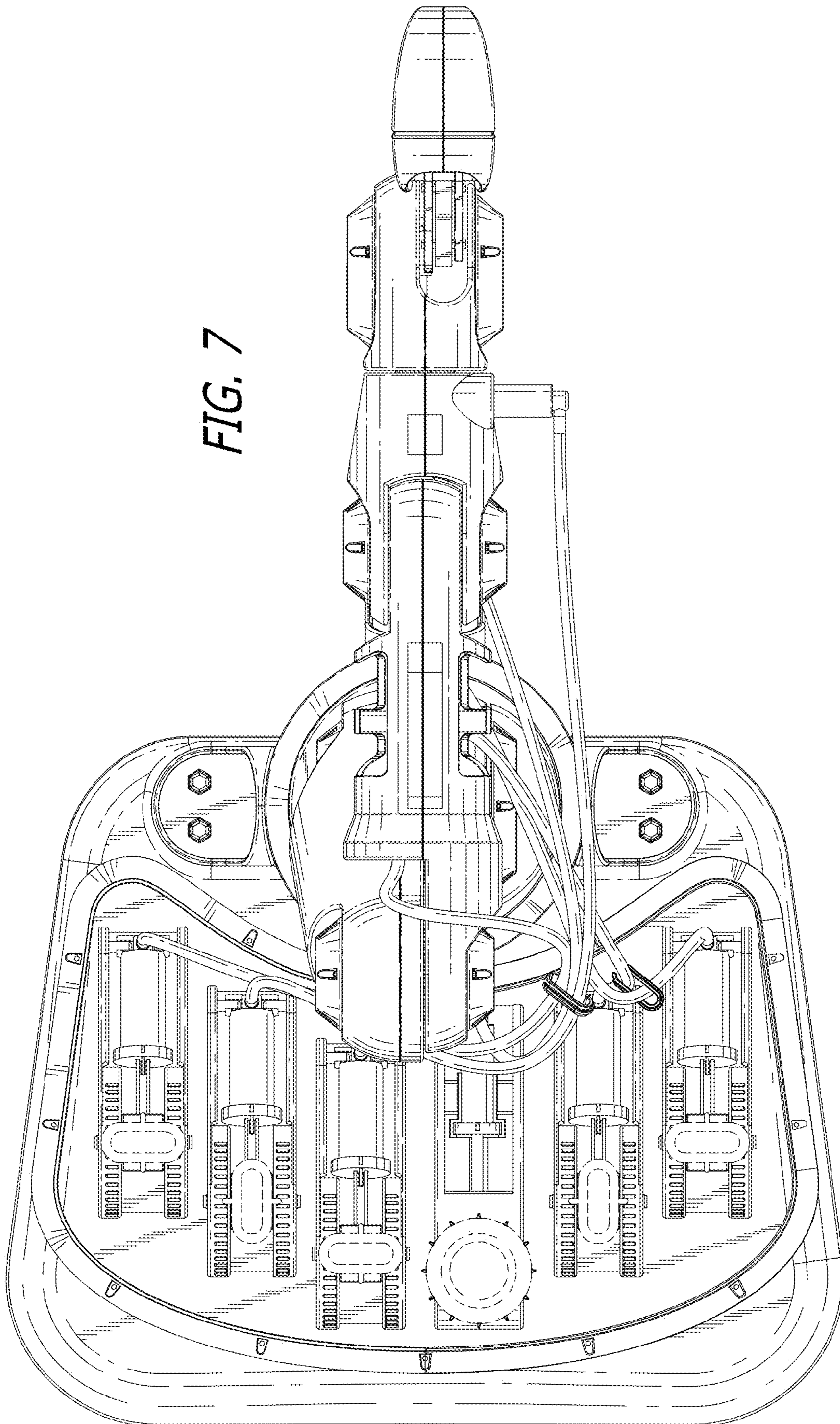


FIG. 8

