



US00D985690S

(12) **United States Design Patent** (10) **Patent No.:** **US D985,690 S**  
**Kane** (45) **Date of Patent:** **\*\* May 9, 2023**

(54) **UNDERWATER TOY**

(71) Applicant: **Aqua-Leisure Recreation, LLC**, Avon, MA (US)

(72) Inventor: **Jesse Kane**, Attleboro, MA (US)

(73) Assignee: **Aqua-Leisure Recreation, LLC**, Stoughton, MA (US)

(\*\*) Term: **15 Years**

(21) Appl. No.: **29/781,785**

(22) Filed: **Apr. 30, 2021**

(51) **LOC (14) Cl.** ..... **21-01**

(52) **U.S. Cl.**  
USPC ..... **D21/597**

(58) **Field of Classification Search**  
USPC ..... D21/398, 572, 576, 597, 599, 600, 601, D21/616, 622  
CPC ..... A63B 2208/12; A63B 2225/605; A63B 67/007; A63B 69/12; A63B 31/00; A63B 2208/03; A63B 5/10; A63B 63/083; A63B 19/04; A63B 63/08; A63H 23/10; B63C 9/08; A47C 15/006  
See application file for complete search history.

(56) **References Cited**

**U.S. PATENT DOCUMENTS**

5,813,931 A \* 9/1998 Gormley ..... A63B 43/00 473/614  
6,083,128 A \* 7/2000 Young ..... A63B 43/02 473/576  
D446,830 S \* 8/2001 Choh ..... D21/597  
D554,714 S \* 11/2007 Chow ..... D21/601

**OTHER PUBLICATIONS**

Matty's Toy Stop 47 Piece Super Ultimate Dive Set, amazon.com, customer review oldest date Apr. 7, 2019 [online], [site visited Jan.

5, 2023], Available from internet, URL: <https://www.amazon.com/Mattys-Toy-Stop-Featuring-Jellyfish/dp/B07N6MSVK8> (Year: 2019).\*  
Banzai 6 Piece Aqua Dive Sea Pals, hsn.com, [online], [site visited Jan. 5, 2023], Available from internet, URL: <https://www.hsn.com/products/banzai-6-piece-aqua-dive-sea-pals-waterpool-toy-dive-se-20536664> (Year: 2023).\*  
SwimWays SquiDivers Assorted Colours 3 Pack, ebay.com, [online], [site visited Jan. 5, 2023], Available from internet, URL: <https://www.ebay.com/itm/363437042700?chn=ps&mkevt=1&mkcid=28> (Year: 2023).\*  
SwimWays SquiDivers Pool Toys, cabelas.com, [online], [site visited Jan. 5, 2023], Available from internet, URL: <https://www.cabelas.com/shop/en/swimways-squidivers-pool-toys> (Year: 2023).\*  
Screen captures from YouTube video clip entitled "Squidivers from SwimWays," uploaded on Jun. 9, 2014 by user "TTPM Toy Reviews". Retrieved from Internet <<https://www.youtube.com/watch?v=49C2RYsmYIA>>. (Year: 2014).\*

\* cited by examiner

*Primary Examiner* — Samantha Q Lawrence  
*Assistant Examiner* — Thanh Luu Wong  
(74) *Attorney, Agent, or Firm* — Wolf, Greenfield & Sacks, P.C.

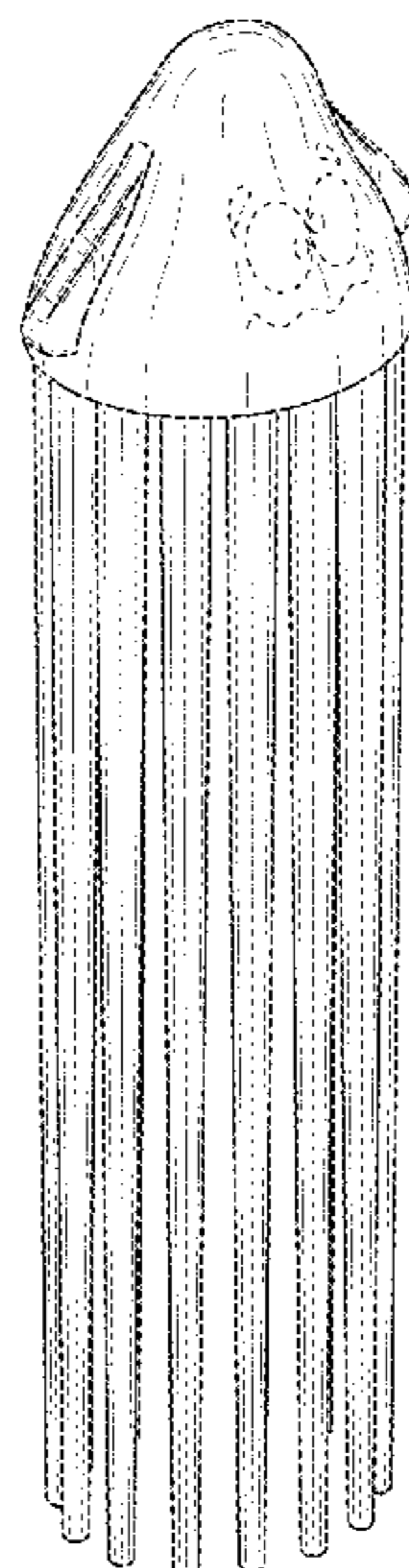
(57) **CLAIM**

The ornamental design for an underwater toy, as shown.

**DESCRIPTION**

FIG. 1 is a perspective view of the underwater toy in accordance with my new design.  
FIG. 2 is a front elevational view of the underwater toy of FIG. 1.  
FIG. 3 is a rear elevational view of the underwater toy.  
FIG. 4 is a left-side elevational view of the underwater toy.  
FIG. 5 is a right-side elevational view of the underwater toy.  
FIG. 6 is a top plan view of the underwater toy; and,  
FIG. 7 is a bottom plan view of the underwater toy.

**1 Claim, 4 Drawing Sheets**



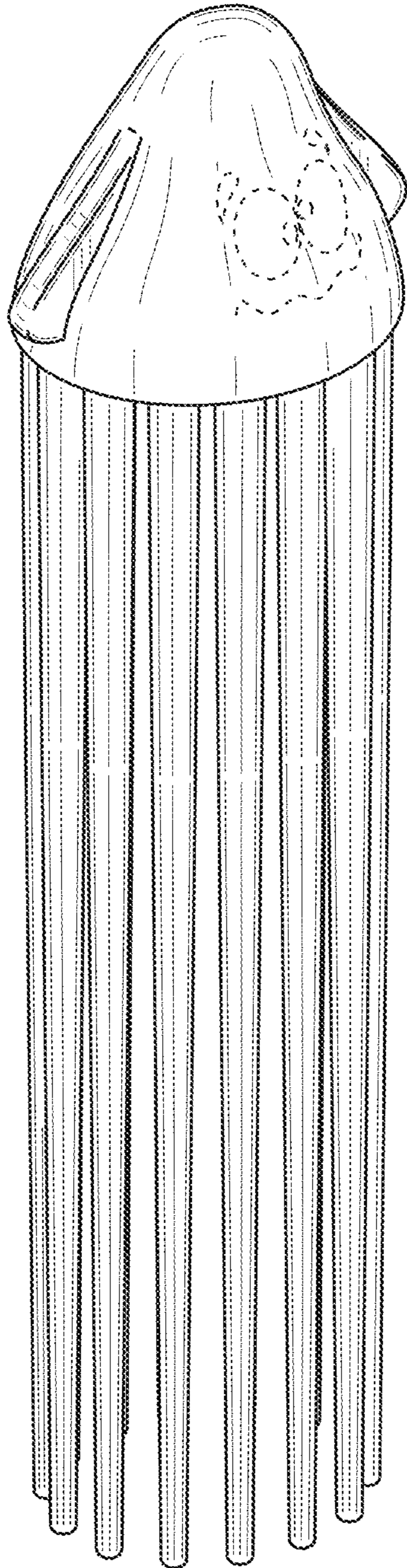


FIG. 1

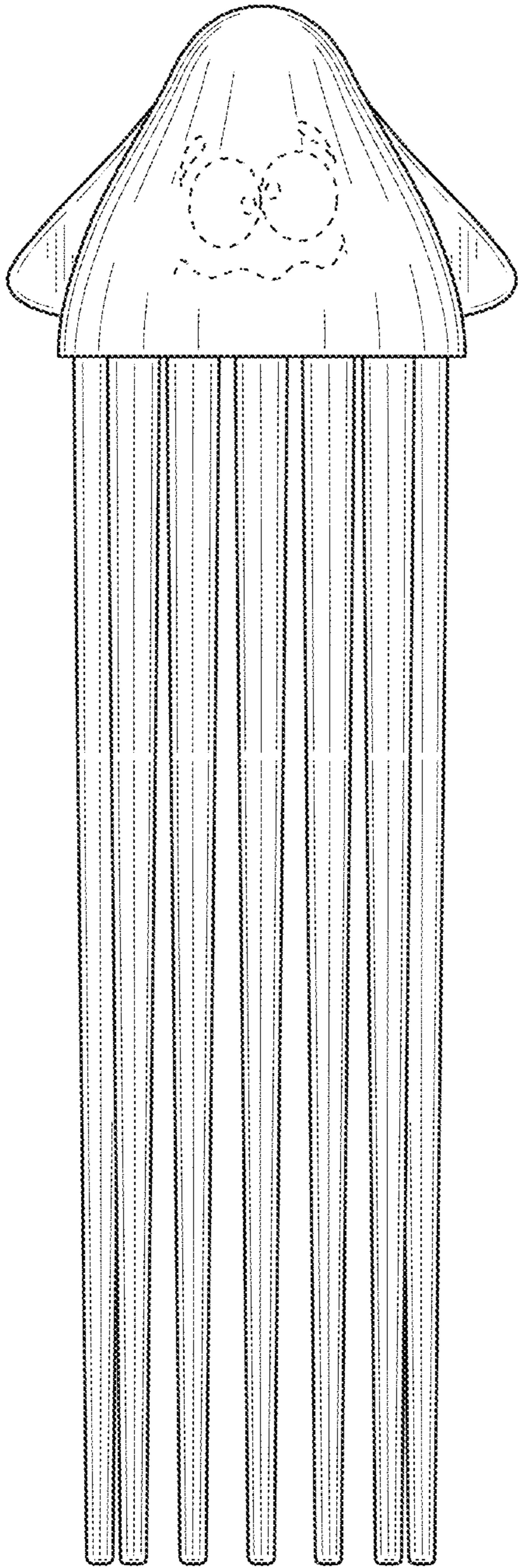


FIG. 2

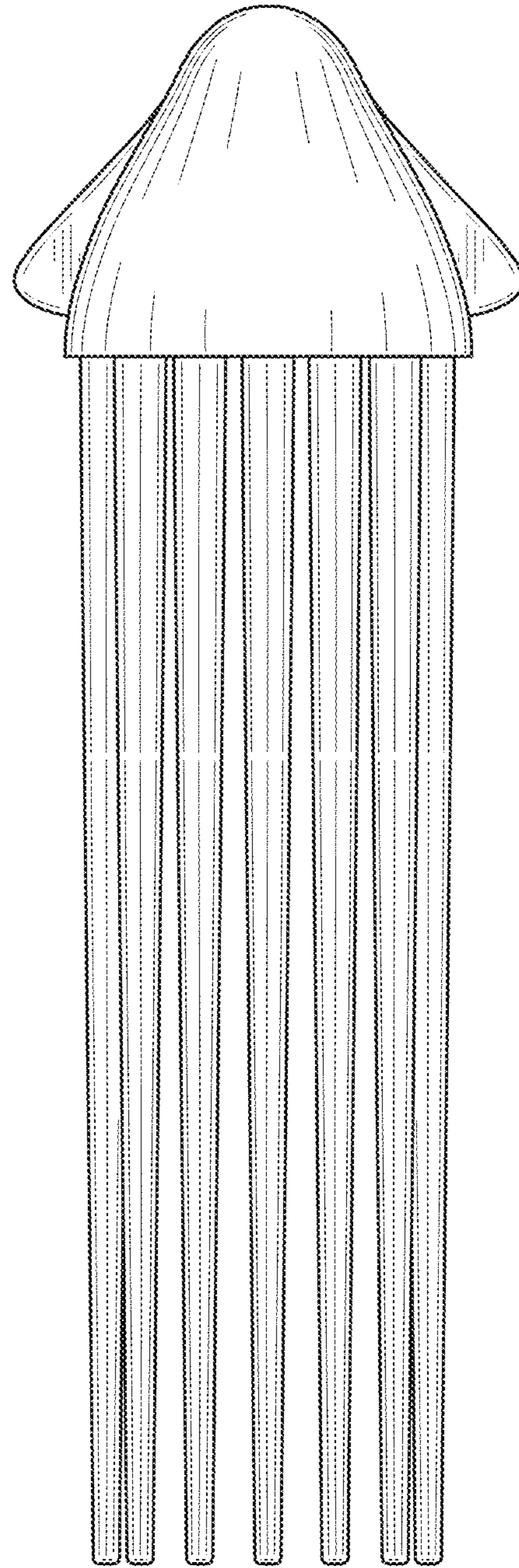


FIG. 3

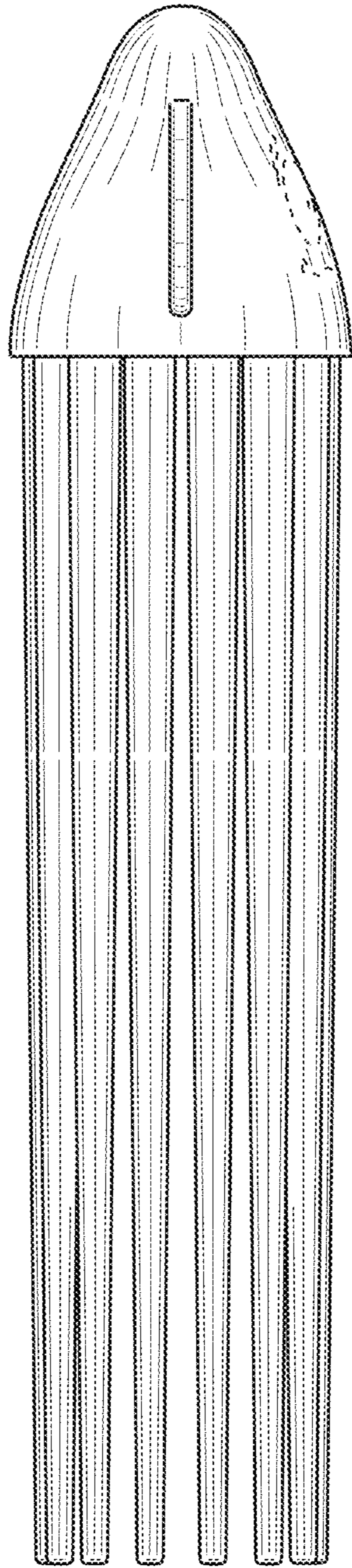


FIG. 4

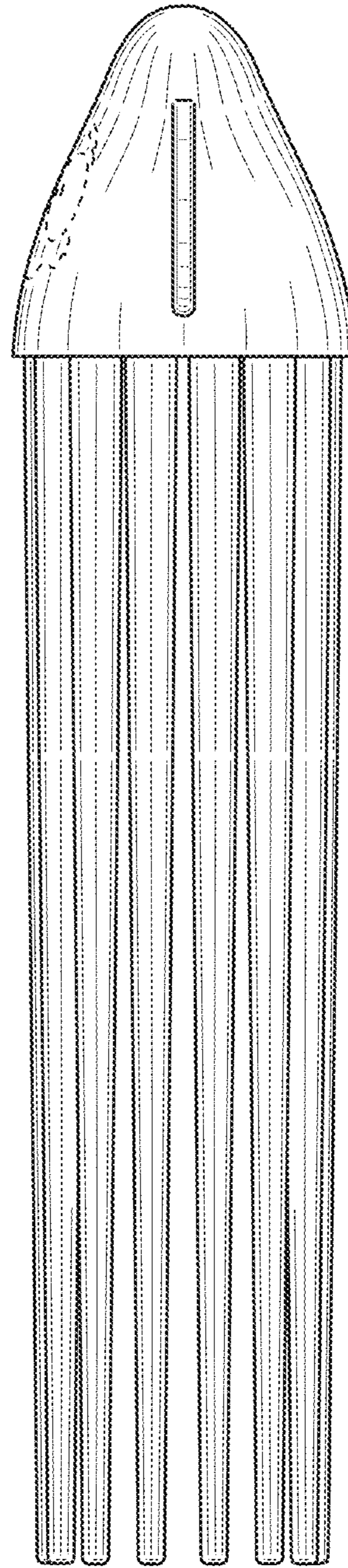


FIG. 5

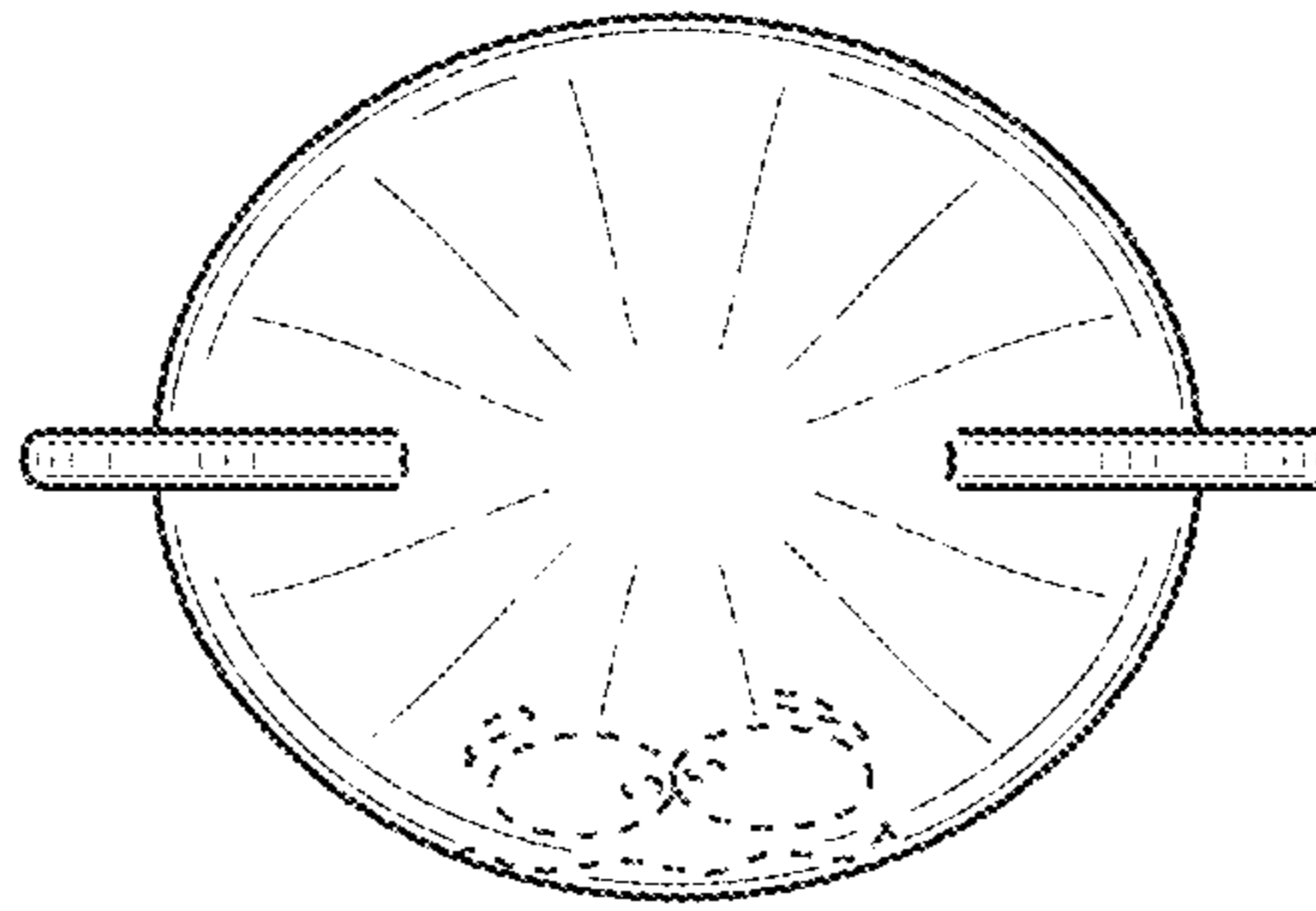


FIG. 6

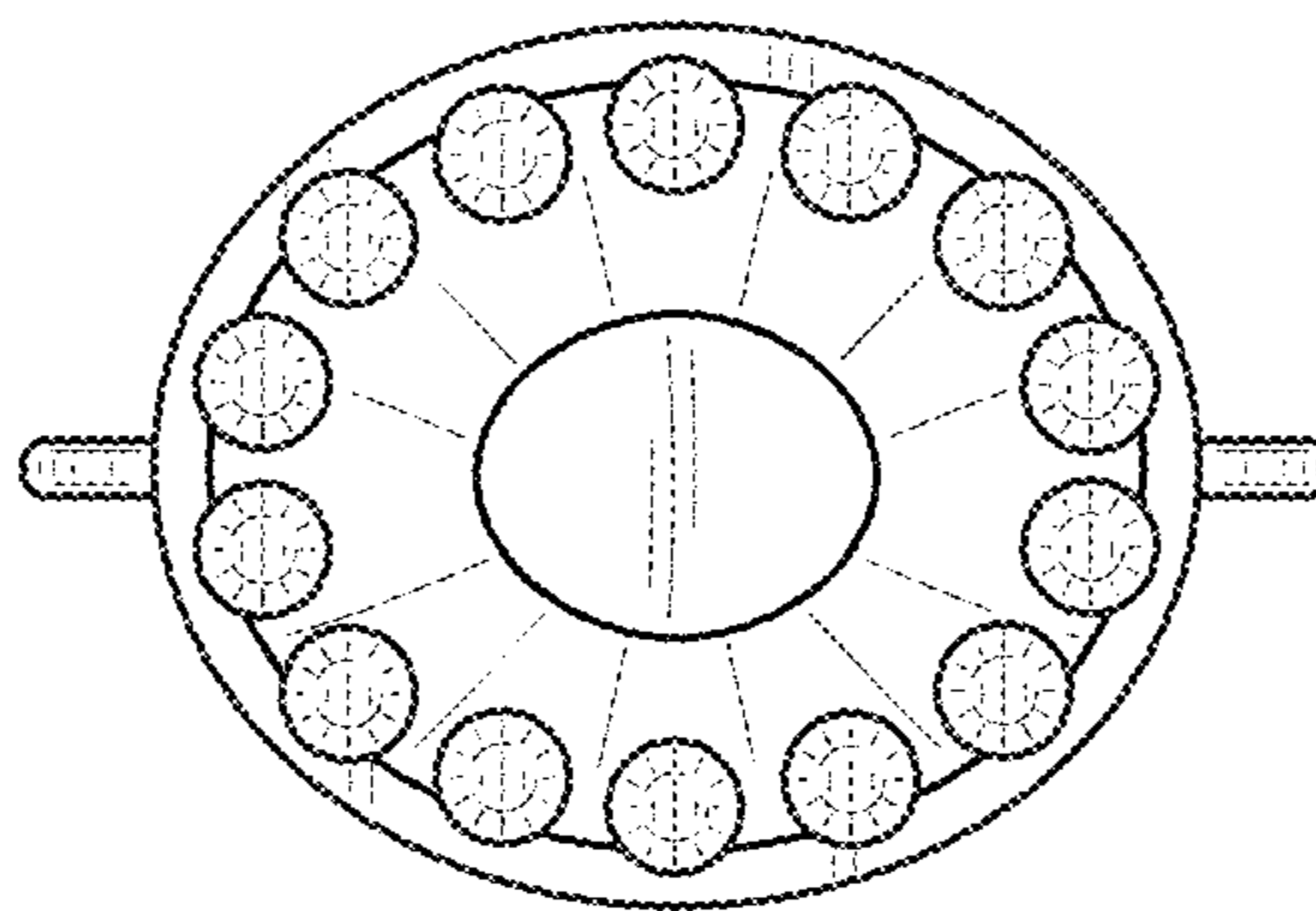


FIG. 7