



US00D985689S

(12) **United States Design Patent**
Chen

(10) **Patent No.:** **US D985,689 S**

(45) **Date of Patent:** **** May 9, 2023**

(54) **TOY GUN**

(71) Applicant: **Shantou Zhihe Technology Co., Ltd.**,
Guangdong (CN)

(72) Inventor: **Jinhao Chen**, Guangdong (CN)

(73) Assignee: **Shantou Zhihe Technology Co., Ltd.**,
Shantou (CN)

(**) Term: **15 Years**

(21) Appl. No.: **29/804,095**

(22) Filed: **Aug. 18, 2021**

(51) **LOC (14) Cl.** **21-01**

(52) **U.S. Cl.**
USPC **D21/573; D21/570; D21/567**

(58) **Field of Classification Search**
USPC **D21/574, 573, 572, 567, 333, 570;**
D14/418; D22/100, 103, 104
CPC ... **A63H 5/04; F41B 7/003; F41C 3/06; A63F**
9/0252

See application file for complete search history.

(56) **References Cited**

U.S. PATENT DOCUMENTS

D286,308 S	*	10/1986	Mayer	D21/573
D344,311 S	*	2/1994	Liu	D21/572
D693,347 S	*	11/2013	Augustin, Jr.	D14/418
D947,291 S	*	3/2022	Wu	D21/573
D963,763 S	*	9/2022	Lin	D21/573

FOREIGN PATENT DOCUMENTS

CN	304222498	*	7/2017
GB	6139357	*	5/2021
GB	6250534	*	1/2023
HK	1700402-0001	*	9/2017

OTHER PUBLICATIONS

Amazon Website, Andrti Toy Foam Blaster, Earliest Comment Date: May 17, 2022[Website Visited Feb. 17, 2023] Available on the Internet URL <https://www.amazon.com/dp/B09VT1LW73/> (Year: 2022).*

Amazon Website, ArtCreativity Store Toy Machine Gun, Earliest Comment Date: Dec. 10, 2017[Website Visited Feb. 17, 2023] Available on the Internet URL <https://www.amazon.com/dp/B0776ZS44C/> (Year: 2017).*

* cited by examiner

Primary Examiner — S. Bryan Reinholdt, Jr.

Assistant Examiner — James T Tyree

(57) **CLAIM**

The ornamental design for a toy gun, as shown and described.

DESCRIPTION

FIG. 1 is a front elevational view of a toy gun showing my new design;

FIG. 2 is a rear elevational view thereof;

FIG. 3 is a left side view thereof;

FIG. 4 is a right side view thereof;

FIG. 5 is a top plan view thereof;

FIG. 6 is a bottom plan view thereof;

FIG. 7 is a bottom, front and right side perspective view thereof;

FIG. 8 is a top, rear and left side perspective view thereof;

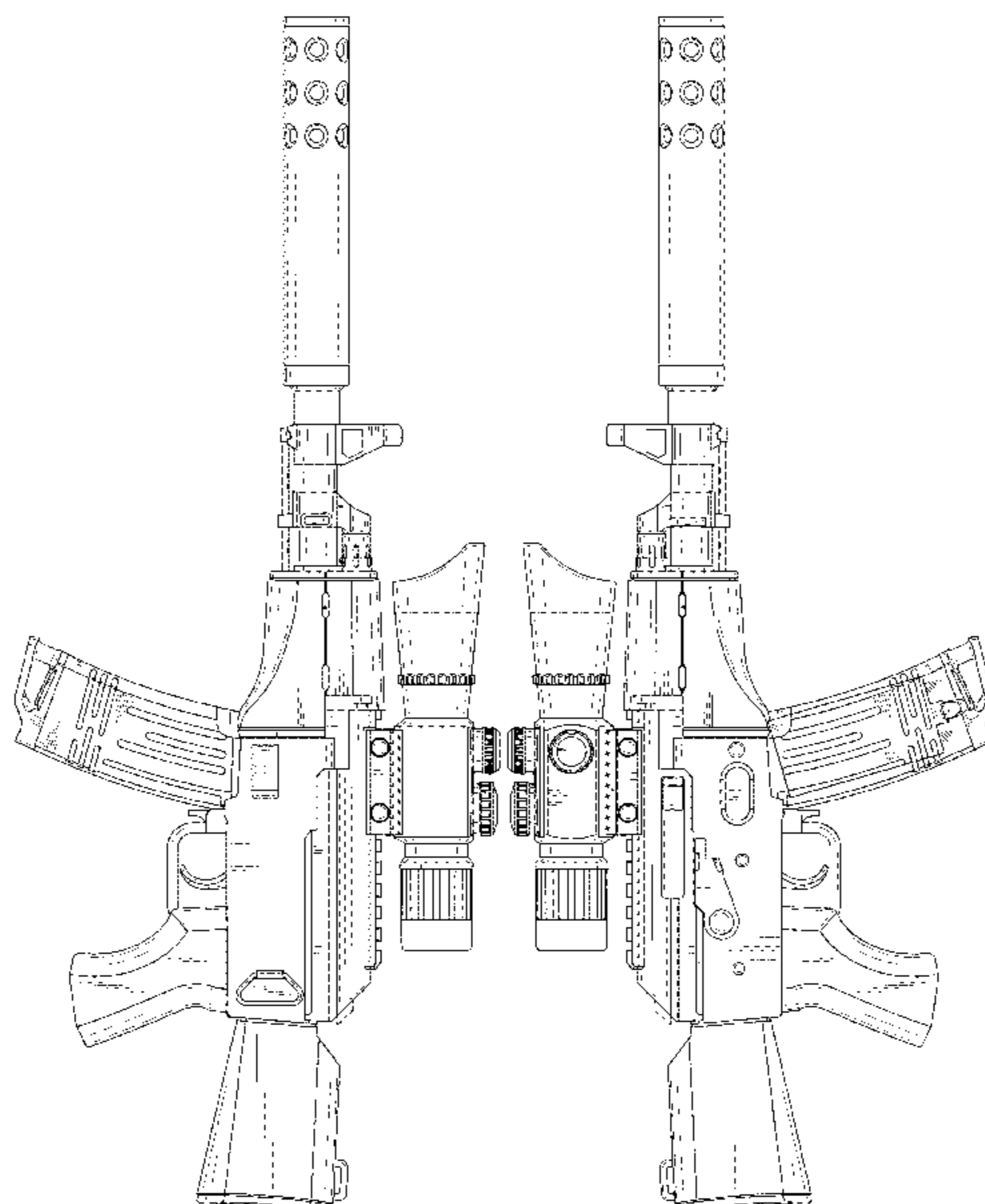
FIG. 9 is an enlarged view of portion 9 in FIG. 7;

FIG. 10 is an enlarged view of portion 10 in FIG. 7; and,

FIG. 11 is an enlarged view of portion 11 in FIG. 8.

The evenly spaced broken lines in the drawings illustrate portions of the toy gun that form no part of the claimed design. The dot-dash-dot broken lines depict boundaries of the detailed enlargement that form no part of the claimed design.

1 Claim, 9 Drawing Sheets



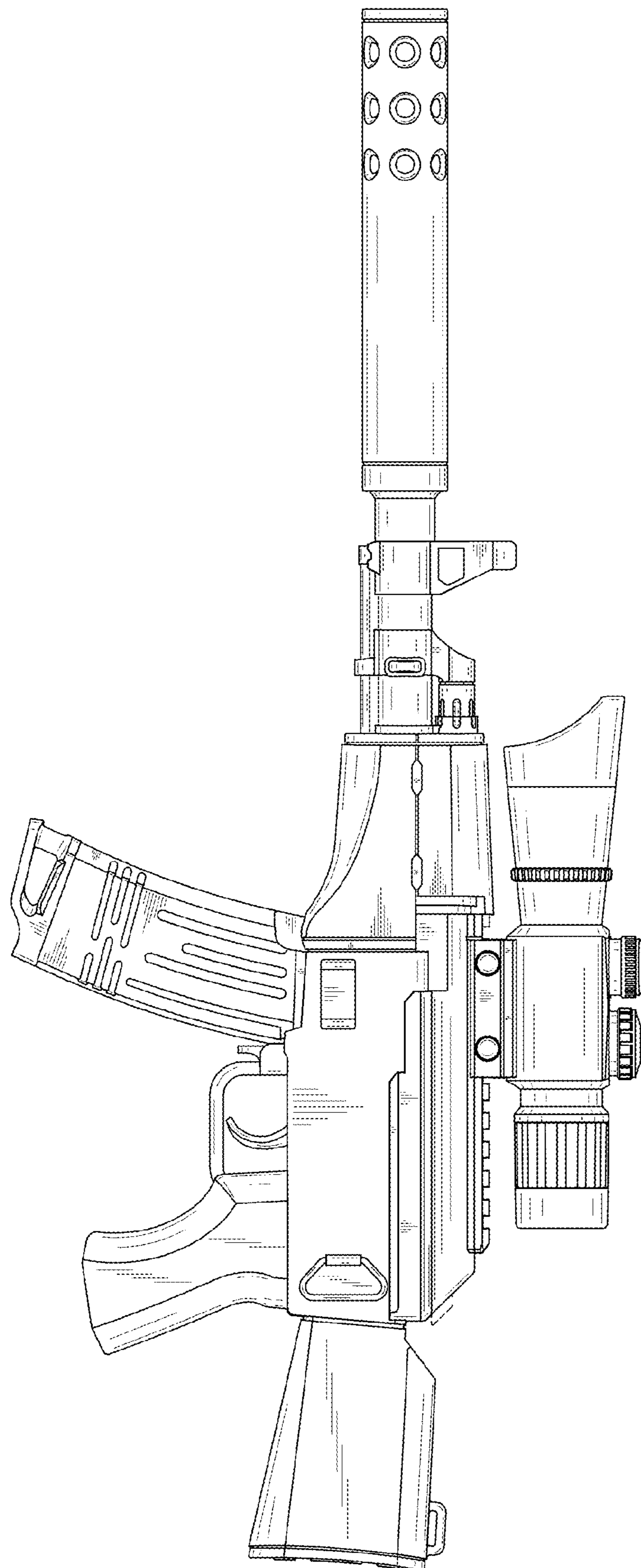


FIG.1

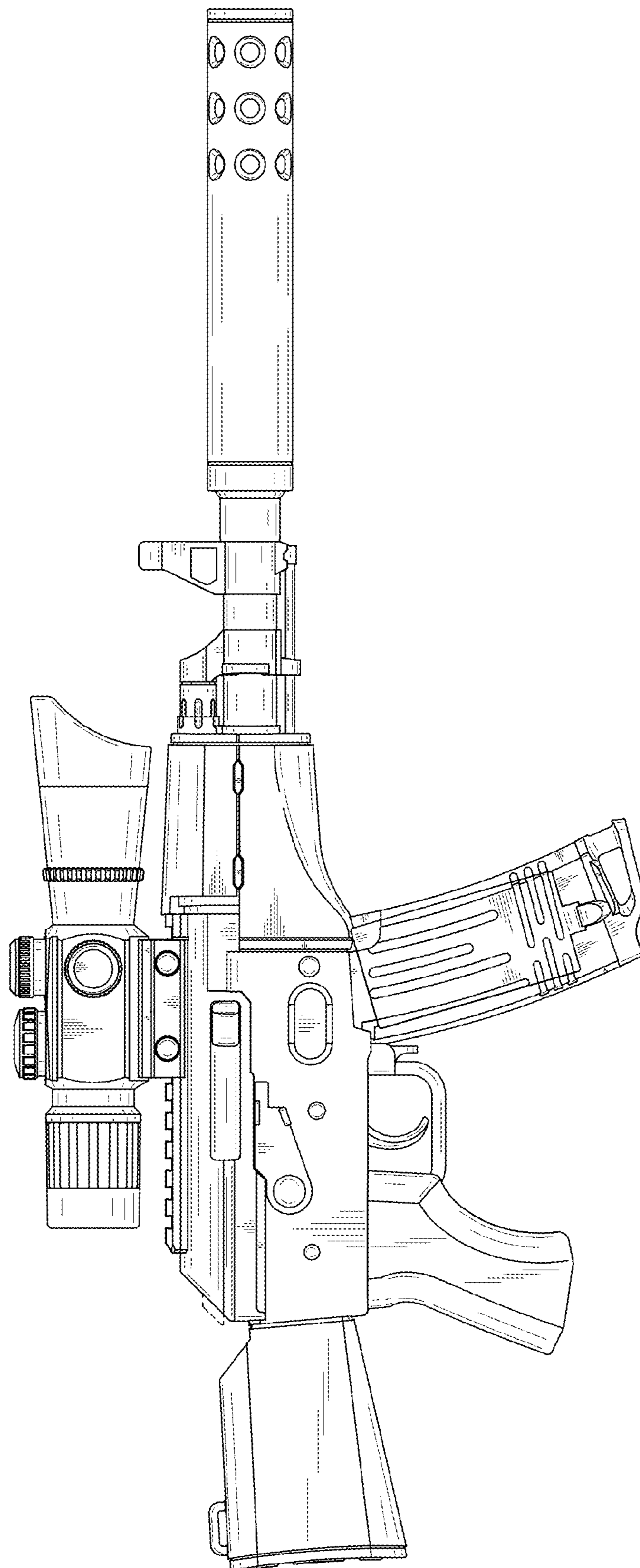


FIG.2

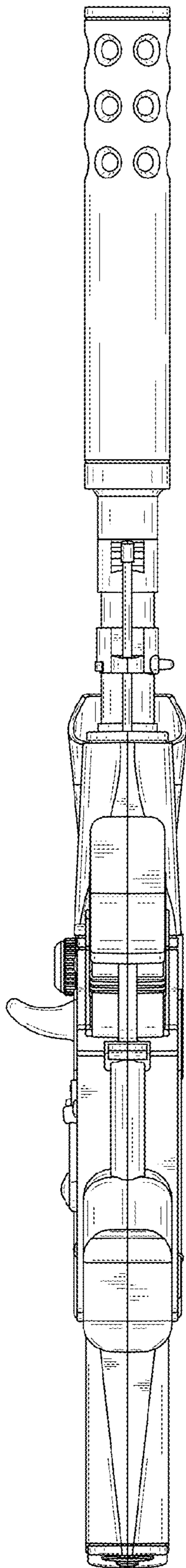


FIG.3

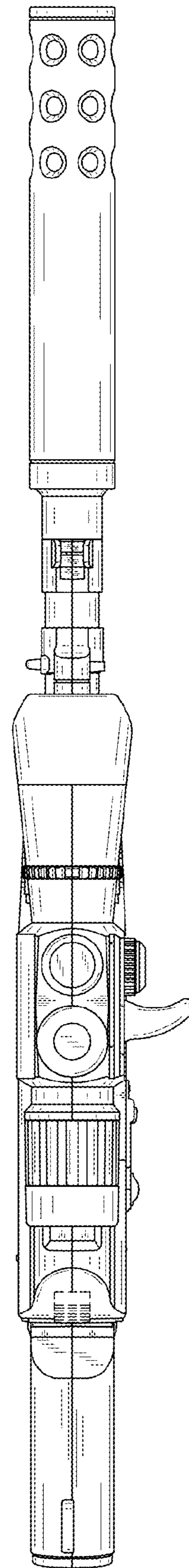


FIG.4

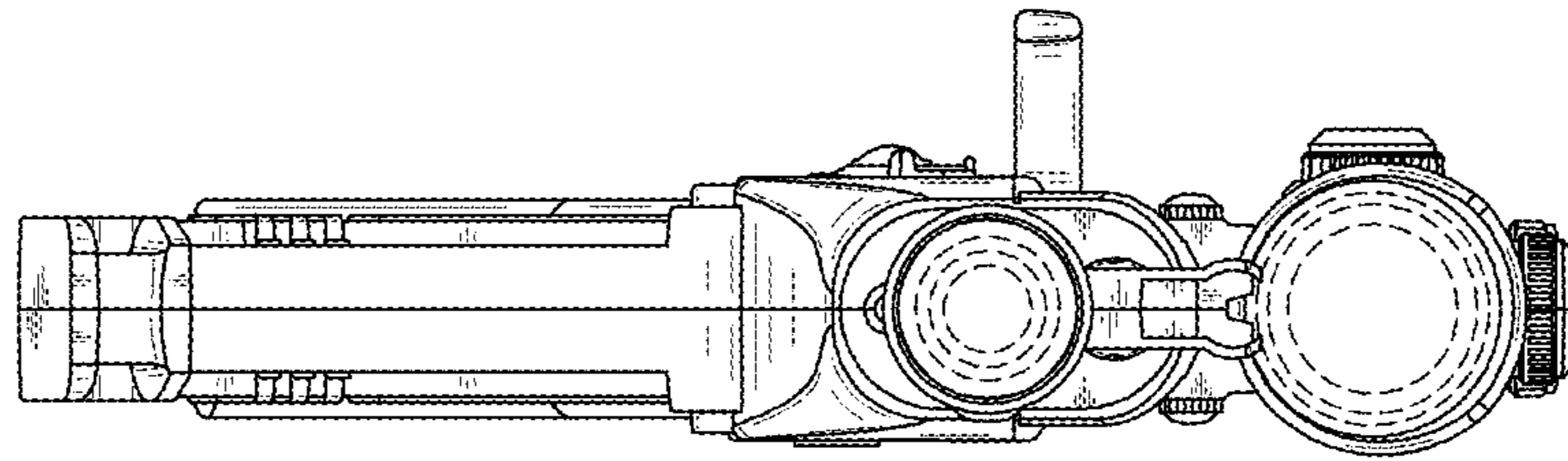


FIG. 5

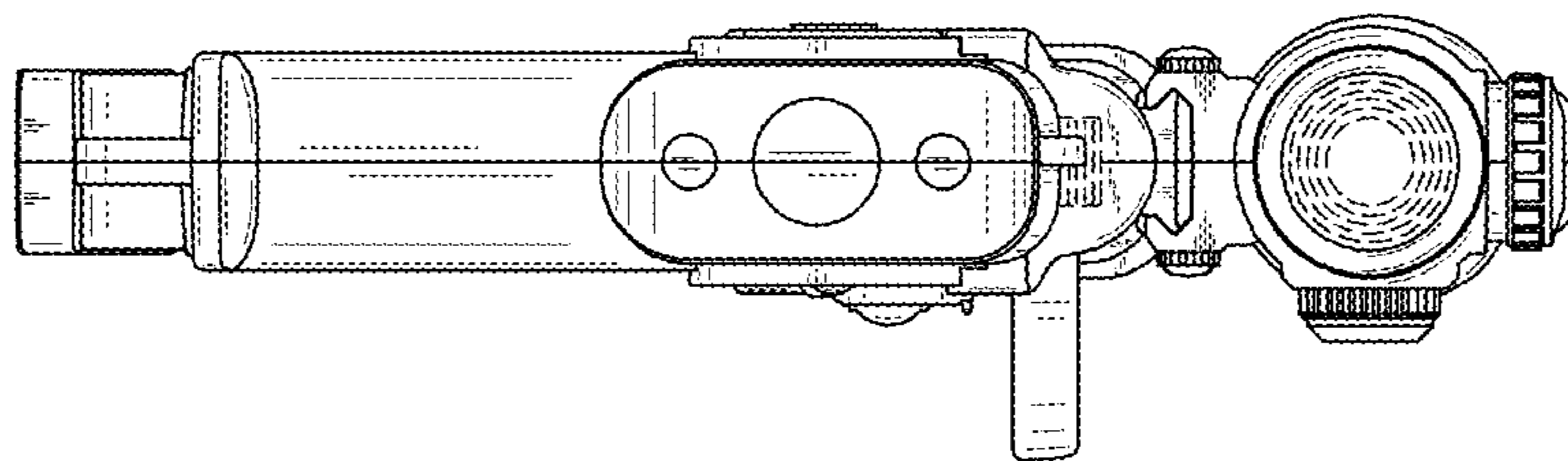


FIG. 6

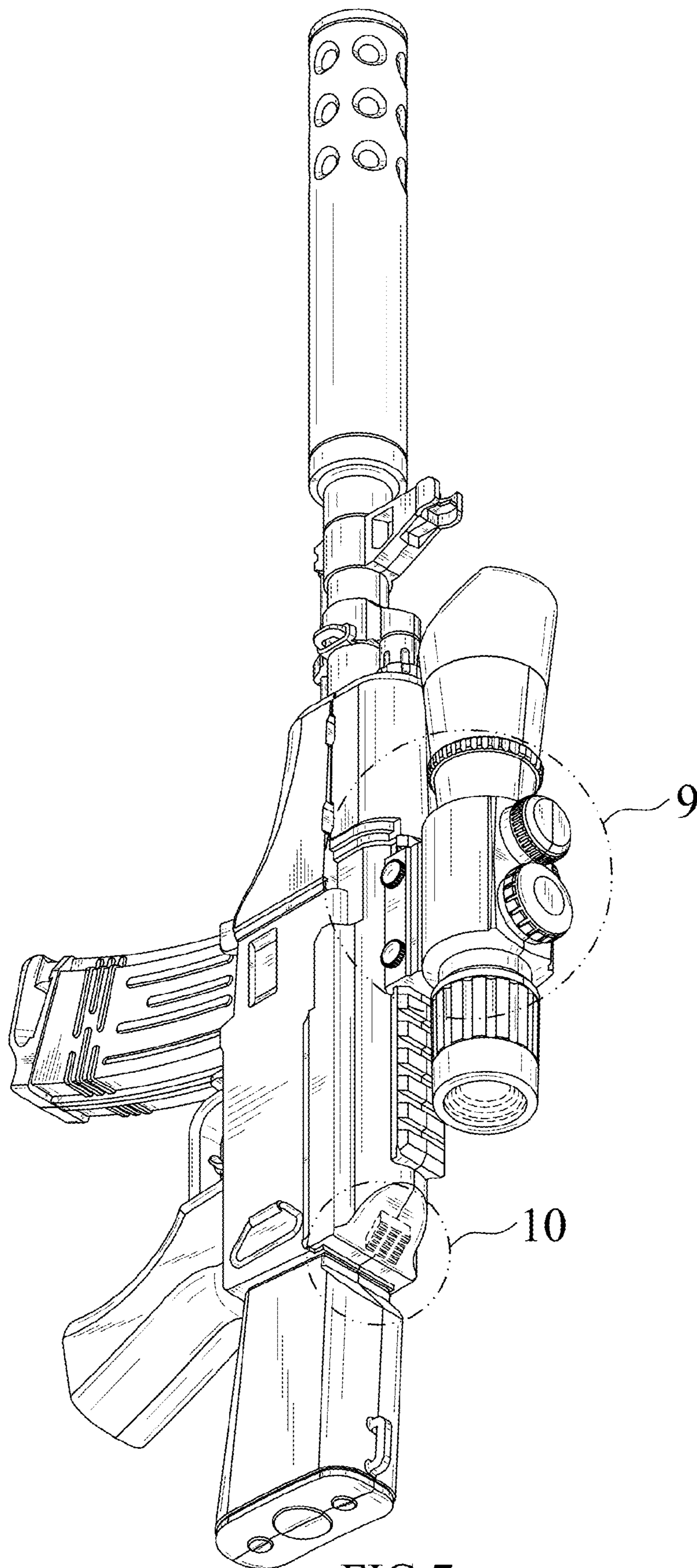


FIG.7

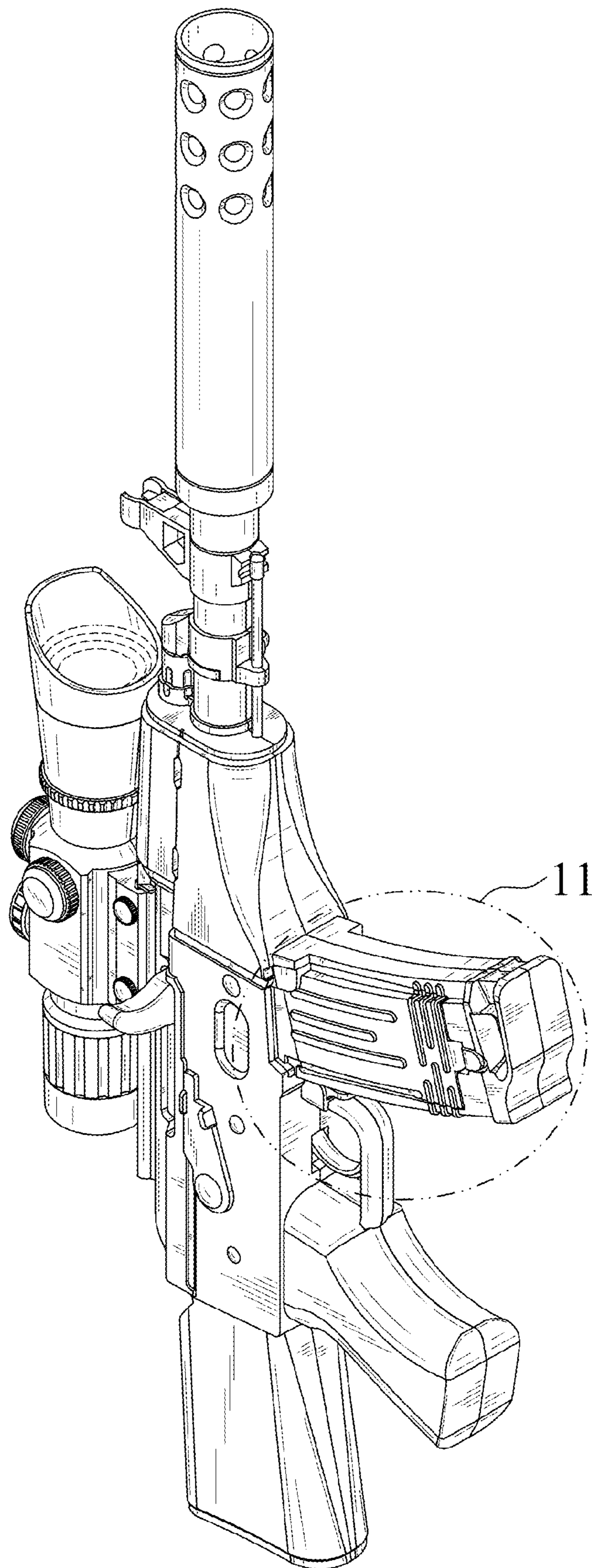


FIG.8

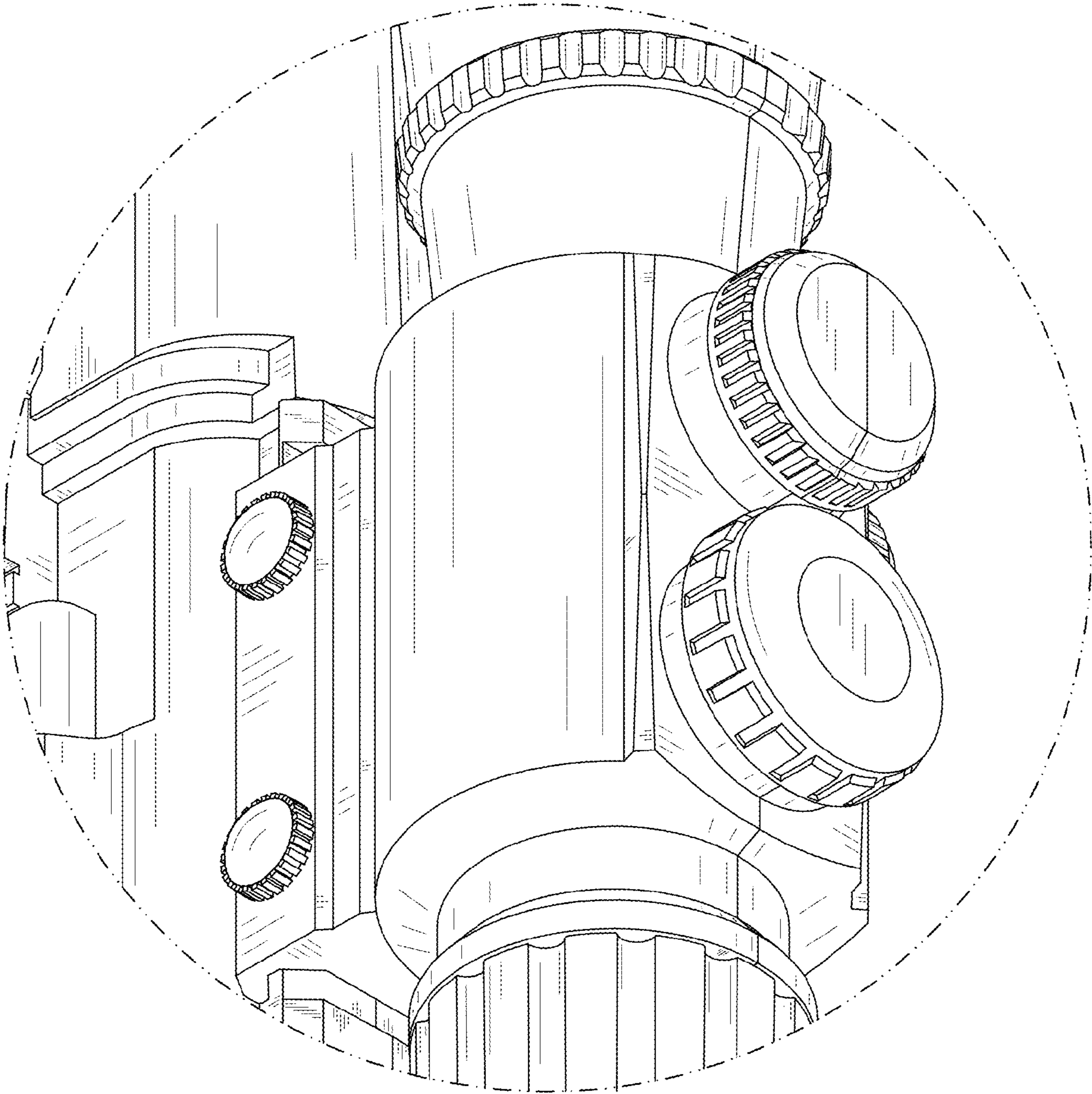


FIG.9

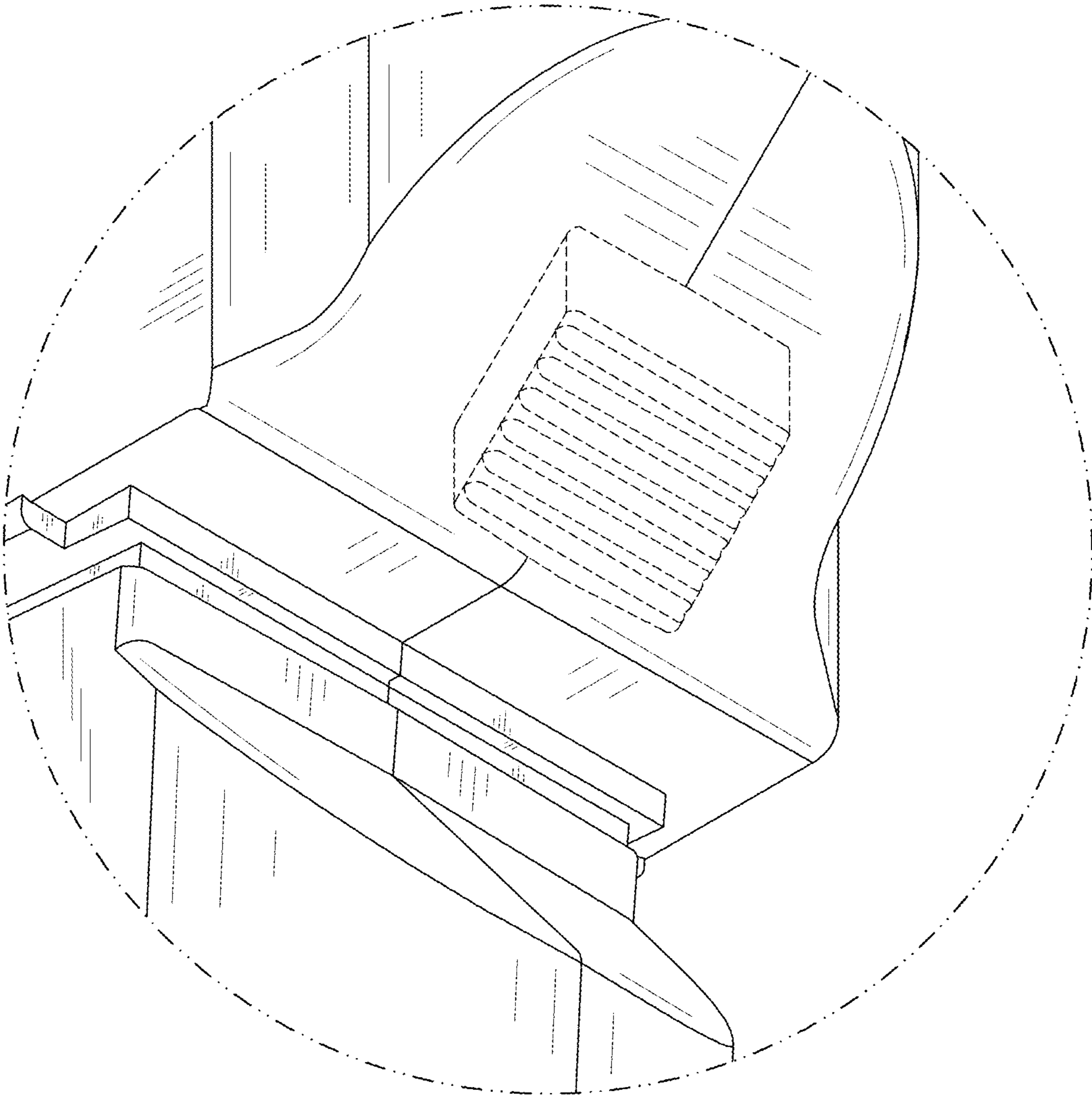


FIG.10

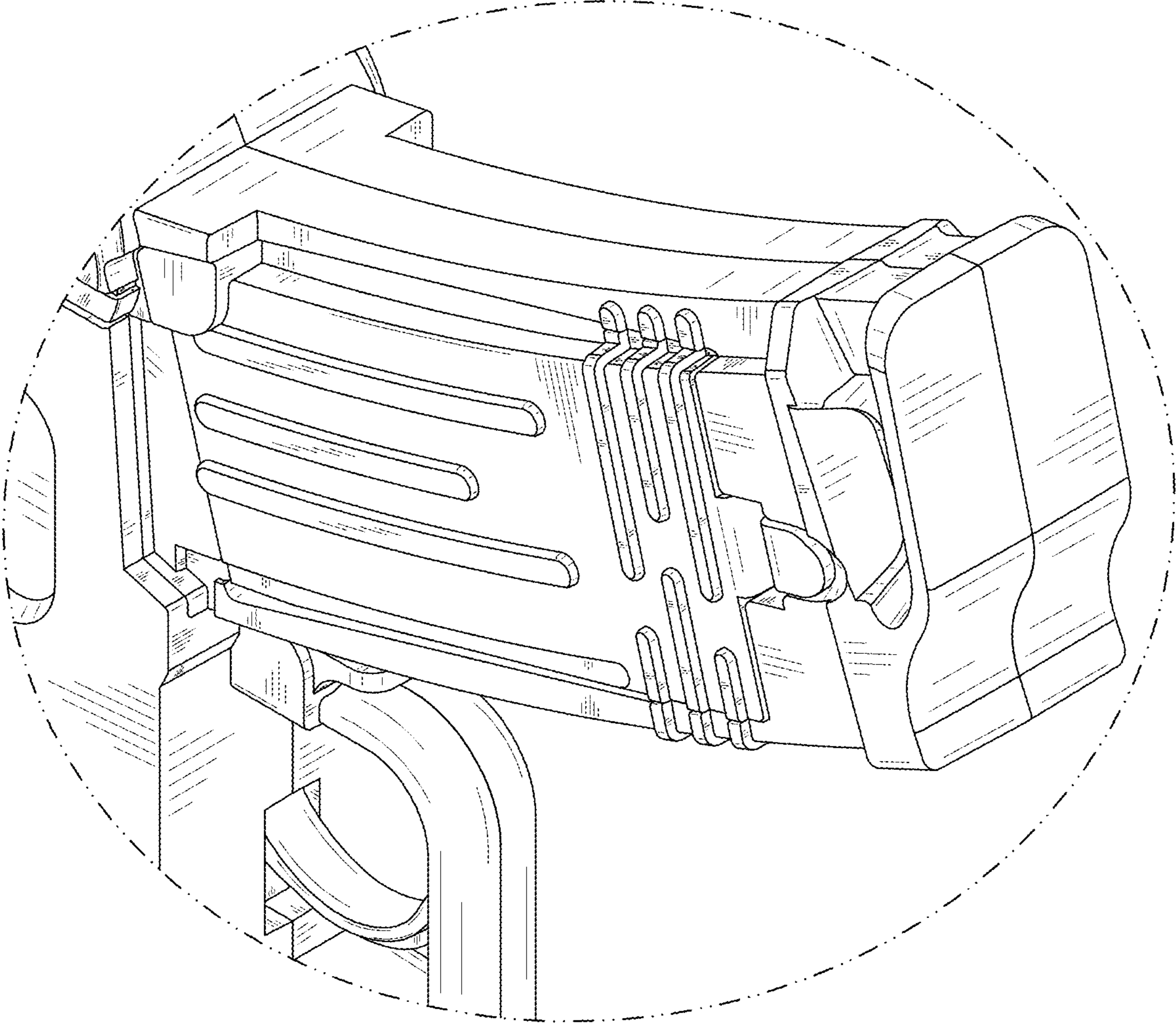


FIG.11