



US00D985688S

(12) **United States Design Patent** (10) **Patent No.:** **US D985,688 S**
Lin (45) **Date of Patent:** **** May 9, 2023**

(54) **TOY TRACK**

FOREIGN PATENT DOCUMENTS

(71) Applicant: **SHANTOU CHENGHAI YINGBAO INTELLIGENT TOYS CO., LTD.,**
Shantou (CN)

CN 201930086615.4 * 10/2019
CN 306470553 * 4/2021
HK 1000688-0001 * 4/2010

(72) Inventor: **Yingda Lin**, Shantou (CN)

OTHER PUBLICATIONS

(73) Assignee: **SHANTOU CHENGHAI YINGBAO INTELLIGENT TOYS CO., LTD.,**
Shantou (CN)

Amazon Website, Dreamup Toys Wooden Train Tracks, Earliest Comment Date: Jan. 24, 2016[Website Visited Feb. 3, 2023], Available on the Internet URL <https://www.amazon.com/dp/B0198IV0XU/> (Year: 2016).*

(**) Term: **15 Years**

Amazon Website, Best Blocks Road Plates Set, Earliest Comment Date Oct. 26, 2021[Website Visited Feb. 3, 2023] Available on the Internet URL <https://www.amazon.com/dp/B08WHWL257> (Year: 2021).*

(21) Appl. No.: **29/769,620**

(22) Filed: **Feb. 6, 2021**

(Continued)

(51) **LOC (14) Cl.** **21-01**

Primary Examiner — S. Bryan Reinholdt, Jr.

(52) **U.S. Cl.**

Assistant Examiner — James T Tyree

USPC **D21/565**; D21/564

(58) **Field of Classification Search**

(57) **CLAIM**

USPC D21/565, 564, 561, 484, 334, 490, 491,
D21/485, 492

The ornamental design for a toy track, as shown and described.

CPC A63H 19/30; A63H 18/02; A63H 18/025
See application file for complete search history.

DESCRIPTION

(56) **References Cited**

U.S. PATENT DOCUMENTS

D332,640 S * 1/1993 Pagel D21/491
D388,138 S * 12/1997 Lanoix D21/565
D632,348 S * 2/2011 McNutt D21/565
D651,661 S * 1/2012 Yuen D21/565
D689,141 S * 9/2013 Mimlitch, III D21/565
D731,596 S * 6/2015 Jensen D21/491
D829,830 S * 10/2018 Wakim D21/491
D945,537 S * 3/2022 Gil D21/565
D975,793 S * 1/2023 Heim D21/485
2008/0265049 A1 * 10/2008 Stadlbauer A63H 18/02
238/10 F
2016/0074762 A1 * 3/2016 Klein A63H 18/02
446/174

FIG. 1 is a perspective view of a toy track showing my new design;

FIG. 2 is another perspective view thereof;

FIG. 3 is a front elevational view thereof;

FIG. 4 is a rear elevational view thereof;

FIG. 5 is a left side elevational view thereof;

FIG. 6 is a right side elevational view thereof;

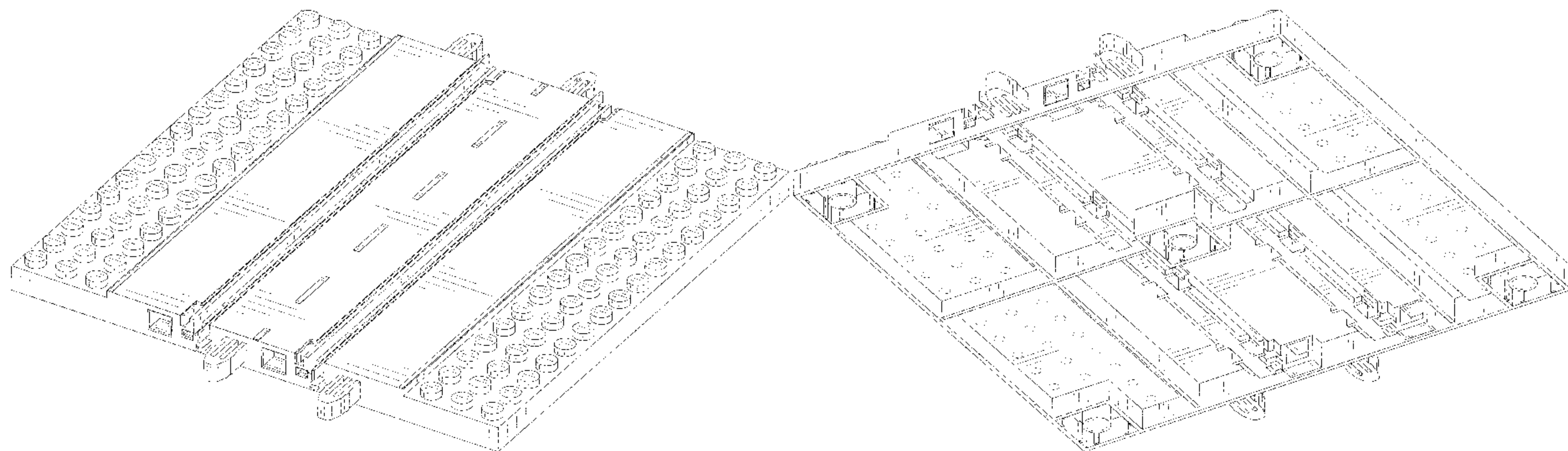
FIG. 7 is a top plan view thereof;

FIG. 8 is a bottom plan view thereof; and,

FIG. 9 is an exploded perspective view of the toy track.

The broken lines in the drawings depict portions of the toy track that form no part of the claimed design.

1 Claim, 9 Drawing Sheets



(56)

References Cited

OTHER PUBLICATIONS

Macys Website, Jupiter Creations Slot Car Race, Earliest Comment Date Jan. 12, 2023[Website Visited Feb. 3, 2023] Available on the Internet URL <https://www.macys.com/shop/product/worlds-smallest-slot-car-race-includes-2-cars-that-arex187-scale-sport-cars-with-headlights-35-pieces?ID=14576217> (Year: 2023).*

Walmart Website, Jupiter Creations 4-Piece Track Extension, No Available Date[Website Visited Feb. 3, 2023] Available on the Internet URL <https://www.amazon.com/dp/B08WHWL257> (Year: 2023).*

* cited by examiner

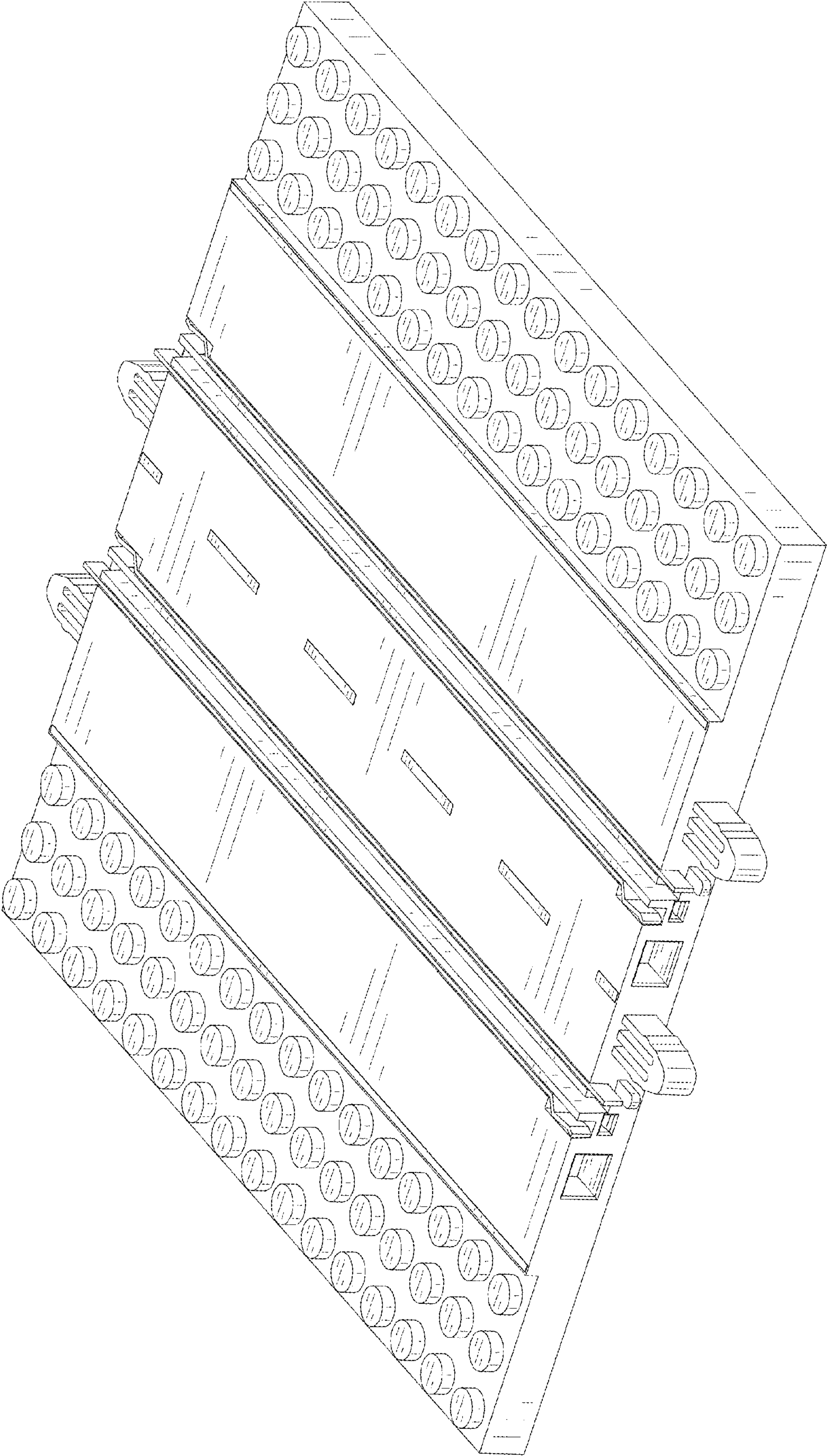


FIG. 1

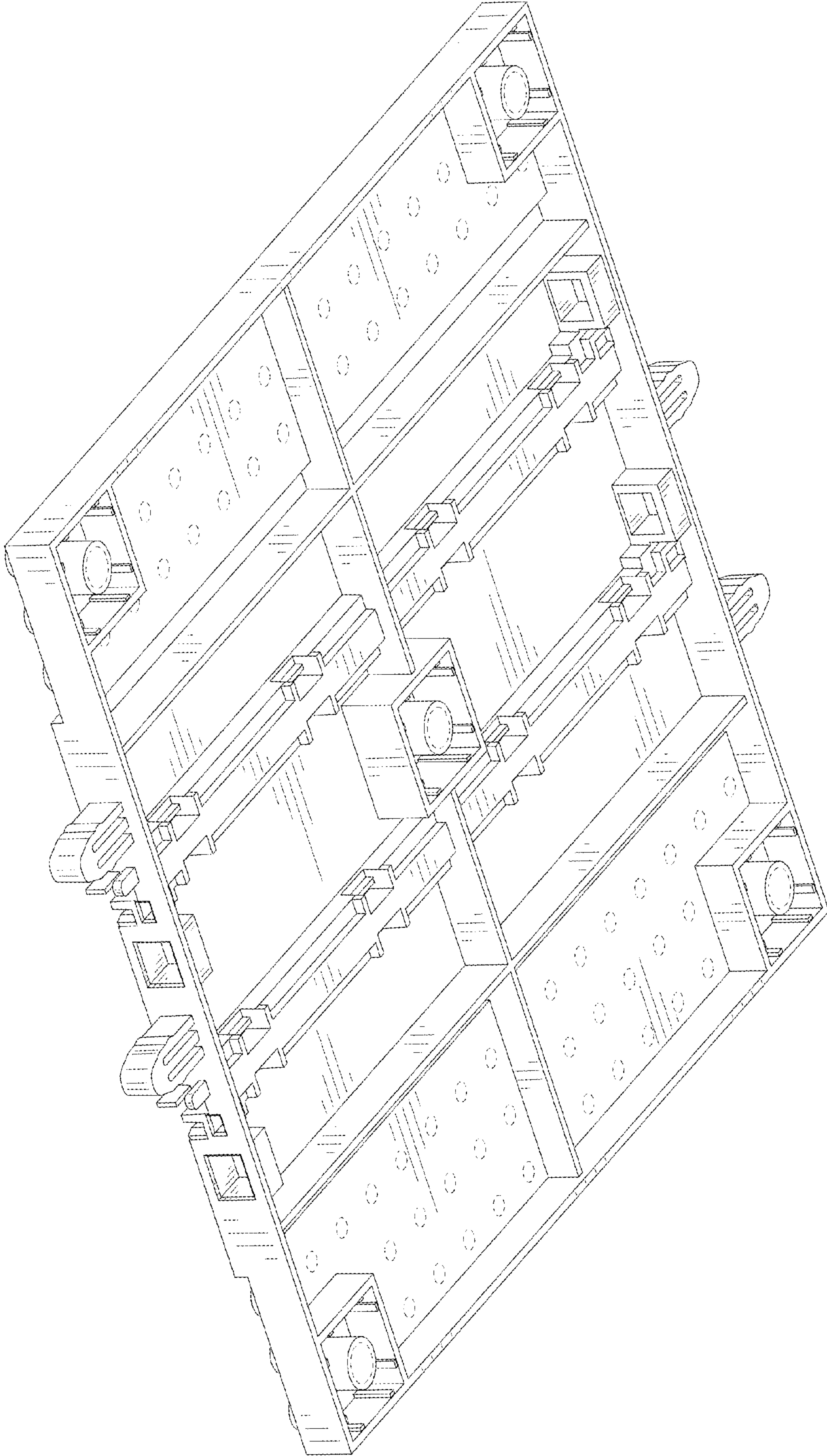


FIG. 2

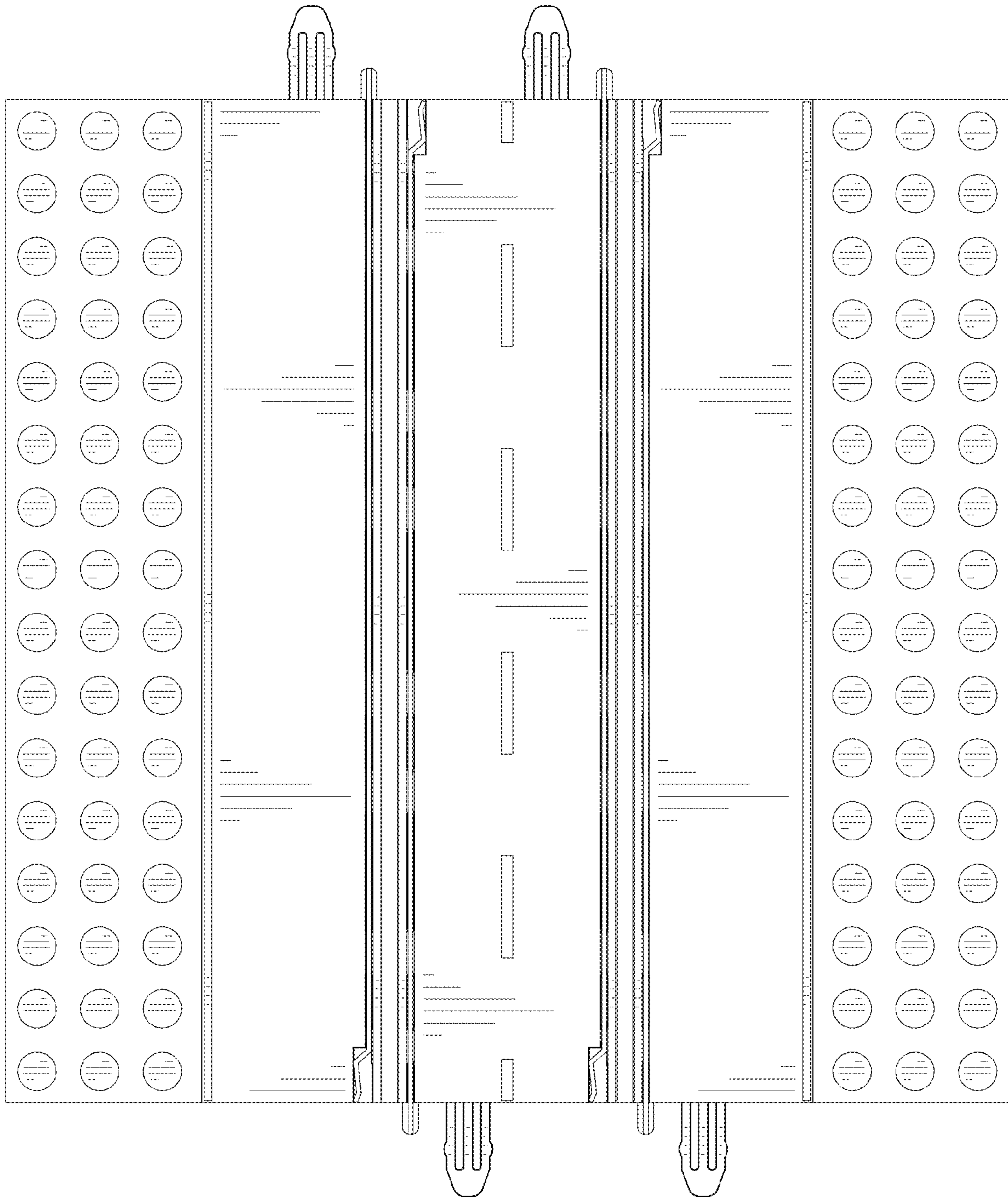


FIG. 3

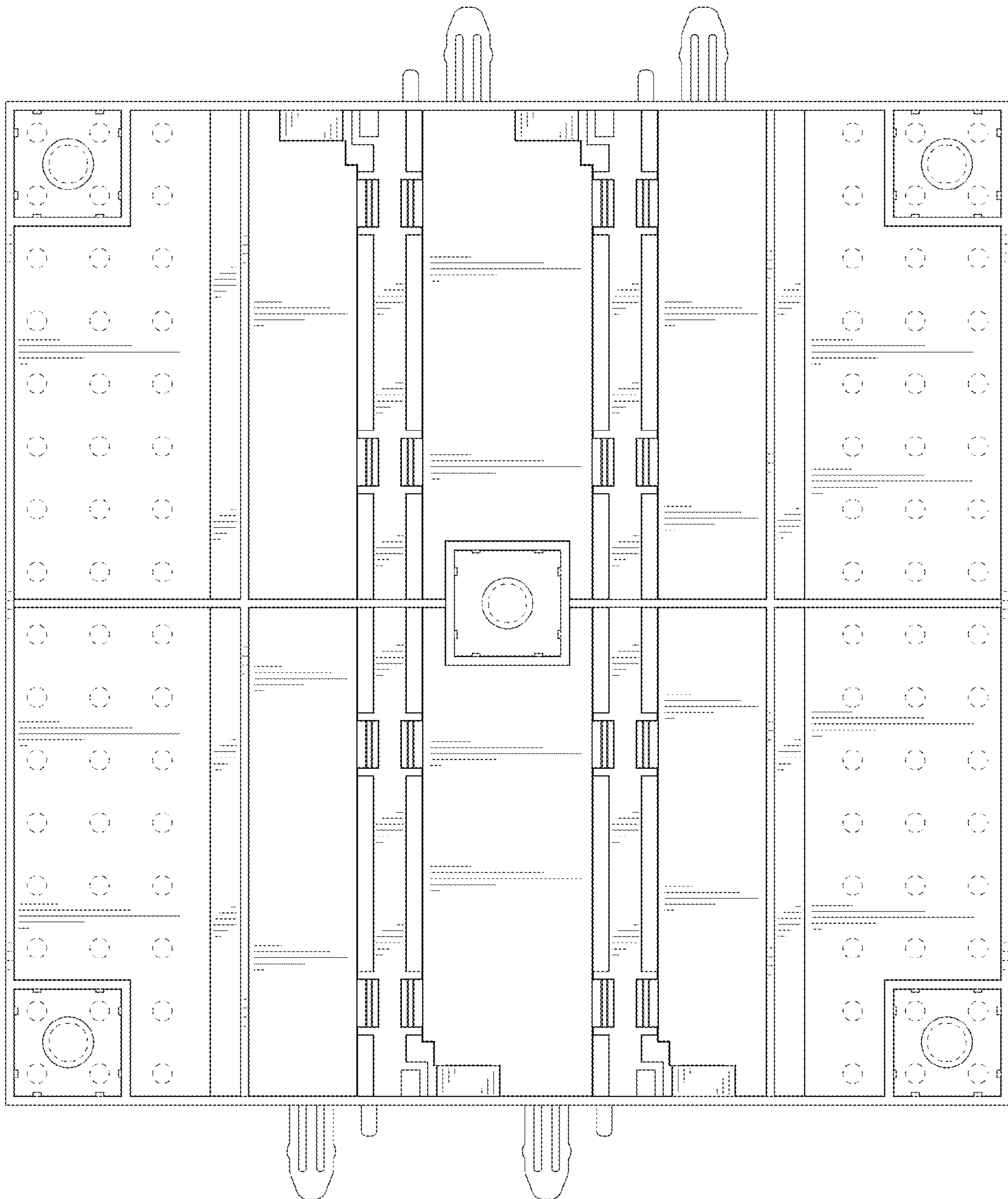


FIG. 4

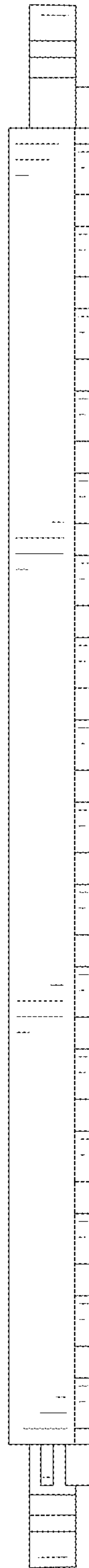


FIG. 5

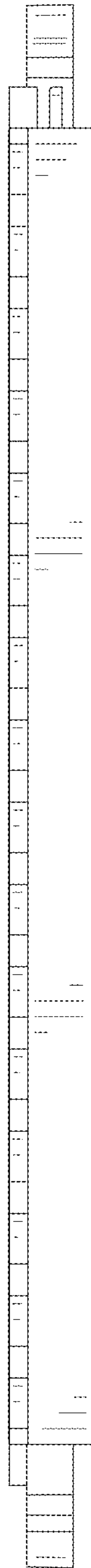


FIG. 6

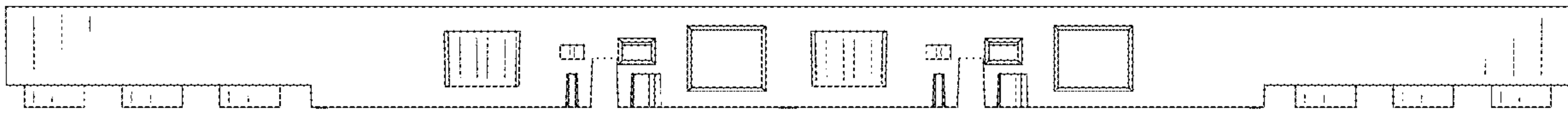


FIG. 7

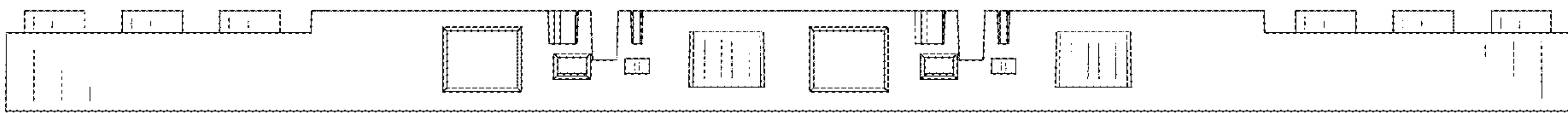


FIG. 8

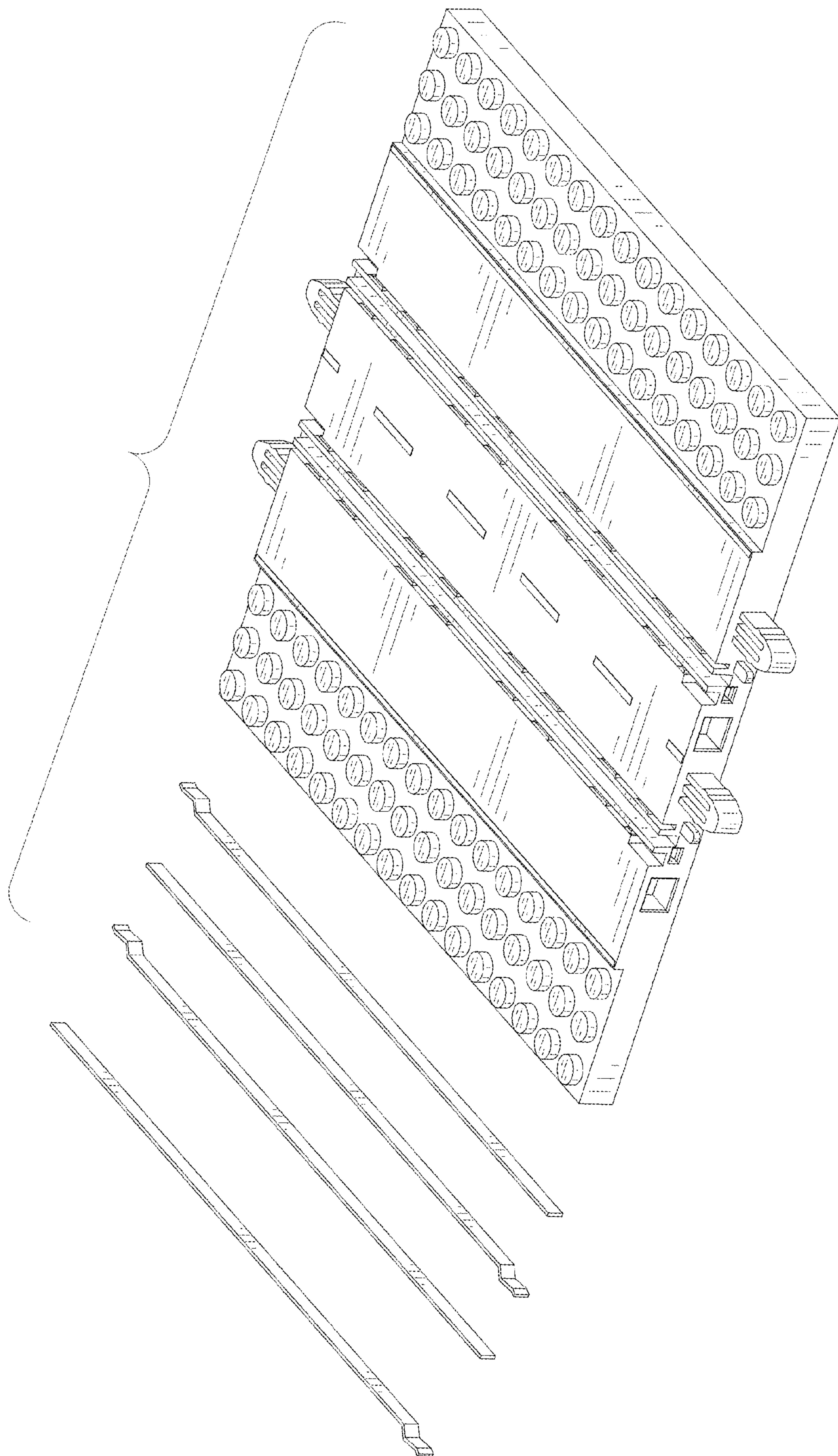


FIG. 9