



US00D985687S

(12) **United States Design Patent** (10) **Patent No.:** **US D985,687 S**  
**Liao** (45) **Date of Patent:** **\*\* May 9, 2023**

(54) **TOY VEHICLE**

FOREIGN PATENT DOCUMENTS

(71) Applicant: **Merchsource, LLC**, Irvine, CA (US)  
(72) Inventor: **Denny SzuPao Liao**, Tustin, CA (US)  
(73) Assignee: **MerchSource, LLC**, Irvine, CA (US)

CN 3517170 \* 4/2006  
CN 302505278 \* 3/2013  
(Continued)

(\*\*) Term: **15 Years**

OTHER PUBLICATIONS

(21) Appl. No.: **29/765,610**

“1969 Toyota 2000GT Pictures,” 1969, cargurus.com, site visited Jan. 28, 2022, URL: <https://www.cargurus.com/Cars/1969-Toyota-2000GT-Pictures-c4177#pictureId=9343689> (Year: 1969).\*

(22) Filed: **Jan. 10, 2021**

(Continued)

(51) **LOC (14) Cl.** ..... **21-01**

*Primary Examiner* — Eric L Goodman

(52) **U.S. Cl.**

*Assistant Examiner* — Sarah L Smith

USPC ..... **D21/549**; D21/533; D21/548

(74) *Attorney, Agent, or Firm* — Avyno Law P.C.

(58) **Field of Classification Search**

USPC ..... D21/419, 424, 427, 428, 431, 433, 434,  
D21/477, 483, 495, 533, 537, 539, 548,  
D21/549, 550–554, 556–562; D12/12,  
D12/19, 82, 83, 84, 85, 86, 87, 88, 90,  
D12/91, 93, 163, 167

(57) **CLAIM**

CPC ..... A63H 17/00; A63H 17/395; A63H 17/26;  
A63H 17/002; A63H 17/268; A63H  
30/04; A63H 17/38; A63H 30/00; A63H  
30/02; A63H 17/262

I claim the ornamental design for a toy vehicle, as shown and described.

See application file for complete search history.

**DESCRIPTION**

(56) **References Cited**

U.S. PATENT DOCUMENTS

3,241,263 A \* 3/1966 Branstner ..... A63H 18/028  
446/454  
3,280,500 A \* 10/1966 Fairbairn ..... A63H 17/00  
446/466  
D208,559 S \* 9/1967 Horowitz ..... D12/91  
3,535,821 A \* 10/1970 Ieda ..... A63H 18/08  
446/444  
3,541,725 A \* 11/1970 Miura ..... A63H 29/04  
446/464

FIG. 1 is a top, front perspective view of a toy vehicle of the present invention.

FIG. 2 is a bottom, rear perspective view of the toy vehicle of FIG. 1.

FIG. 3 is a side elevation view of the left side of the toy vehicle of FIG. 1.

FIG. 4 is a side elevation view of the right side of the toy vehicle of FIG. 1.

FIG. 5 is a front elevation view of the toy vehicle of FIG. 1.

FIG. 6 is a rear elevation view of the toy vehicle of FIG. 1.

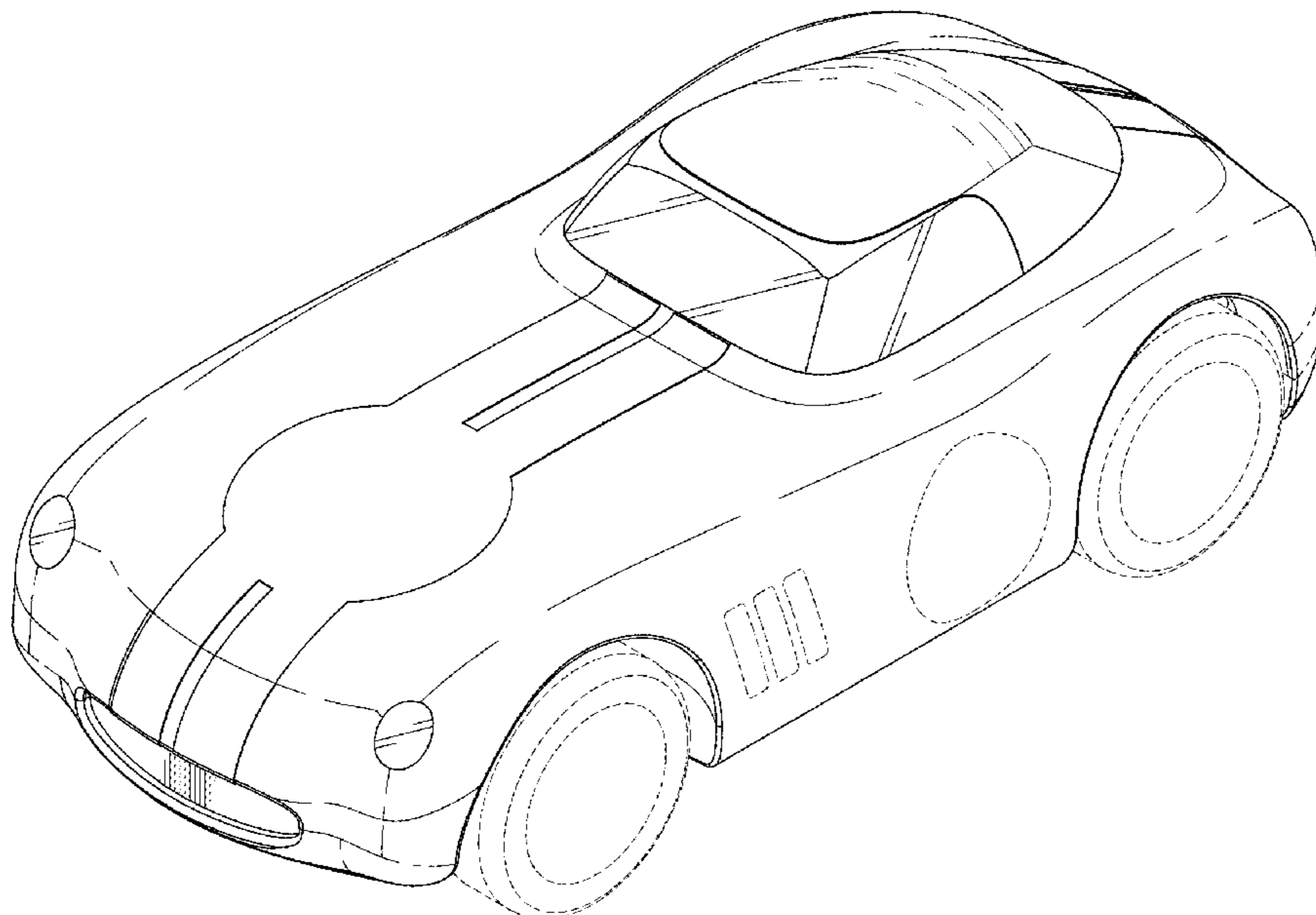
FIG. 7 is a top plan view of the toy vehicle of FIG. 1; and,

FIG. 8 is a bottom plan view of the toy vehicle of FIG. 1.

In the drawings, the broken lines depict portions of the toy vehicle that form no part of the claimed design.

(Continued)

**1 Claim, 7 Drawing Sheets**



(56)

References Cited

U.S. PATENT DOCUMENTS

4,406,084 A \* 9/1983 D'Andrade ..... A63H 17/00  
446/459  
D310,187 S \* 8/1990 Dimson ..... D12/91  
D346,195 S \* 4/1994 Delaney ..... D21/433  
D356,982 S \* 4/1995 Ramaciotti ..... D12/91  
D360,171 S \* 7/1995 Hubbach ..... A63H 17/00  
D12/91  
D401,890 S \* 12/1998 Larson ..... D12/91  
D402,332 S \* 12/1998 Fichter ..... D21/433  
D402,922 S \* 12/1998 Singer ..... D12/92  
D419,207 S \* 1/2000 Lieberman ..... D21/549  
D490,863 S \* 6/2004 Ramaciotti ..... D12/91  
D504,089 S \* 4/2005 Egger ..... D12/92  
D525,914 S \* 8/2006 Taylor ..... D12/92  
D553,051 S \* 10/2007 Chung ..... D12/91  
D603,839 S \* 11/2009 Willis ..... D21/549  
D667,896 S \* 9/2012 Mimlitch, III ..... D21/561  
D667,897 S \* 9/2012 Mimlitch, III ..... D21/561  
D687,349 S \* 8/2013 Krugger ..... D12/92  
D733,614 S \* 7/2015 Scheinhuetten ..... D12/91  
D753,023 S \* 4/2016 Villevoys ..... D12/92  
D776,573 S \* 1/2017 Jelec ..... D12/88  
D827,494 S \* 9/2018 Manzoni ..... D12/92  
D835,730 S \* 12/2018 Chung ..... D21/548  
D852,899 S \* 7/2019 Langberg ..... D21/549  
D908,814 S \* 1/2021 Wozniak ..... D21/548

D951,139 S \* 5/2022 Manzoni ..... D12/88  
2004/0162002 A1 \* 8/2004 Yoneda ..... A63H 29/22  
446/427  
2020/0122048 A1 \* 4/2020 Esposito ..... A63H 17/262  
2021/0299583 A1 \* 9/2021 Liao ..... A63H 17/002

FOREIGN PATENT DOCUMENTS

CN 305897405 \* 7/2020  
EM 0253045 A1 \* 7/1986 ..... A63H 17/32  
RU 00122992 \* 12/2020

OTHER PUBLICATIONS

“Datsun 240Z, 1970,” 1970, classiccargarage.com, site visited Jan. 28, 2022, URL: <https://www.classiccargarage.com/archives/datsun-240z-1970> (Year: 1970).  
“IAOMI Youpin Rc Car 2,4G radio Remote control sports car,” Aug. 16, 2020, youtube.com, site visited Jan. 28, 2022, URL: [https://www.youtube.com/watch?v=rmAa\\_T\\_c2jl](https://www.youtube.com/watch?v=rmAa_T_c2jl) (Year: 2020).  
Andrew Gutman, “Jenson Button’s Porsche 964 Turbo 3.6 ‘X88’ Sold For A Staggering \$439,099,” Sep. 3, 2021 (article RE 1994 Porche 911 Turbo 3.6), carscoops.com, site visited Jan. 28, 2022, URL: <https://www.carscoops.com/2021/09/jenson-buttons-porsche-964-turbo-3-6-x88-sold-for-a-staggering-439> (Year: 2021).  
\* cited by examiner

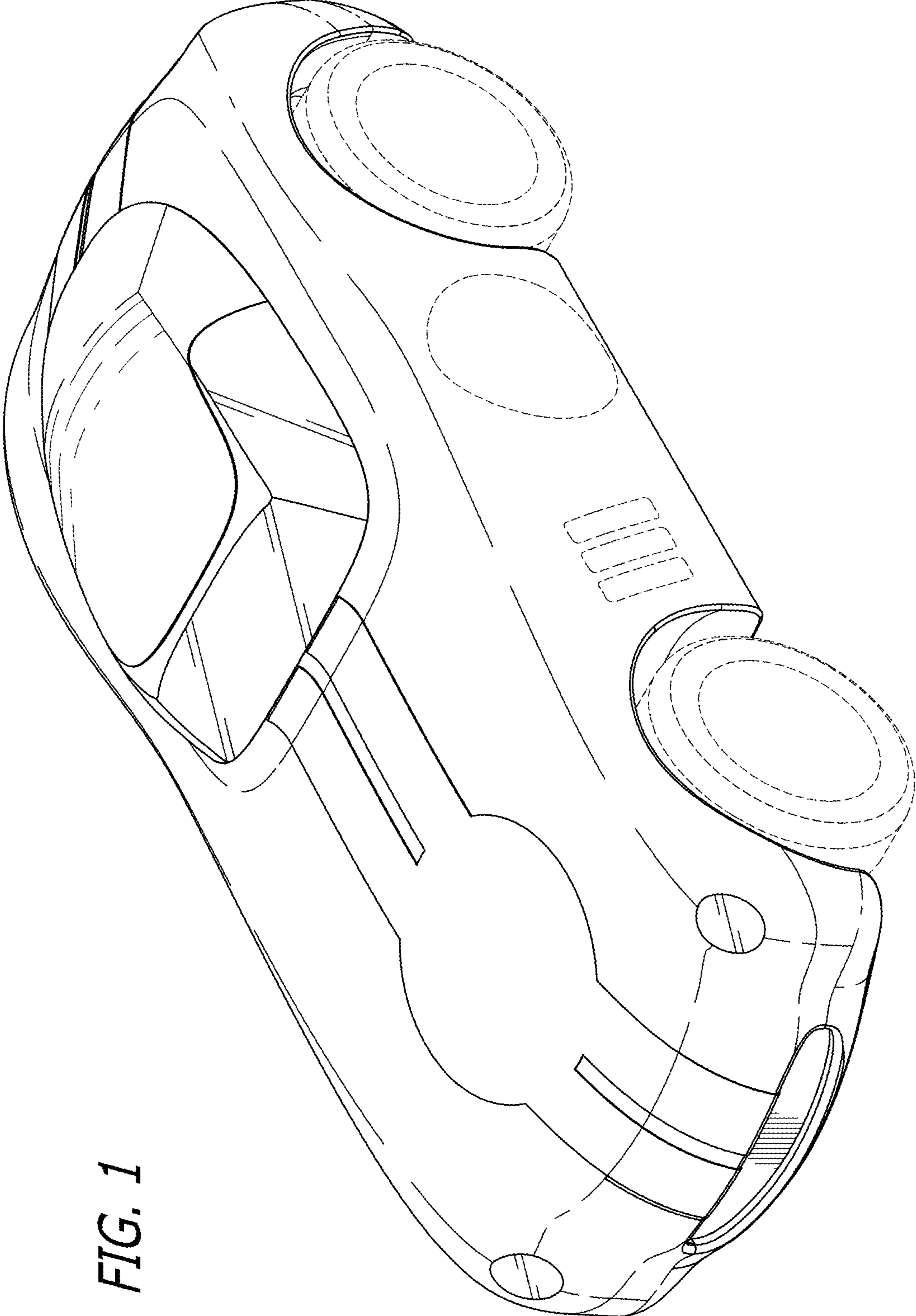


FIG. 1

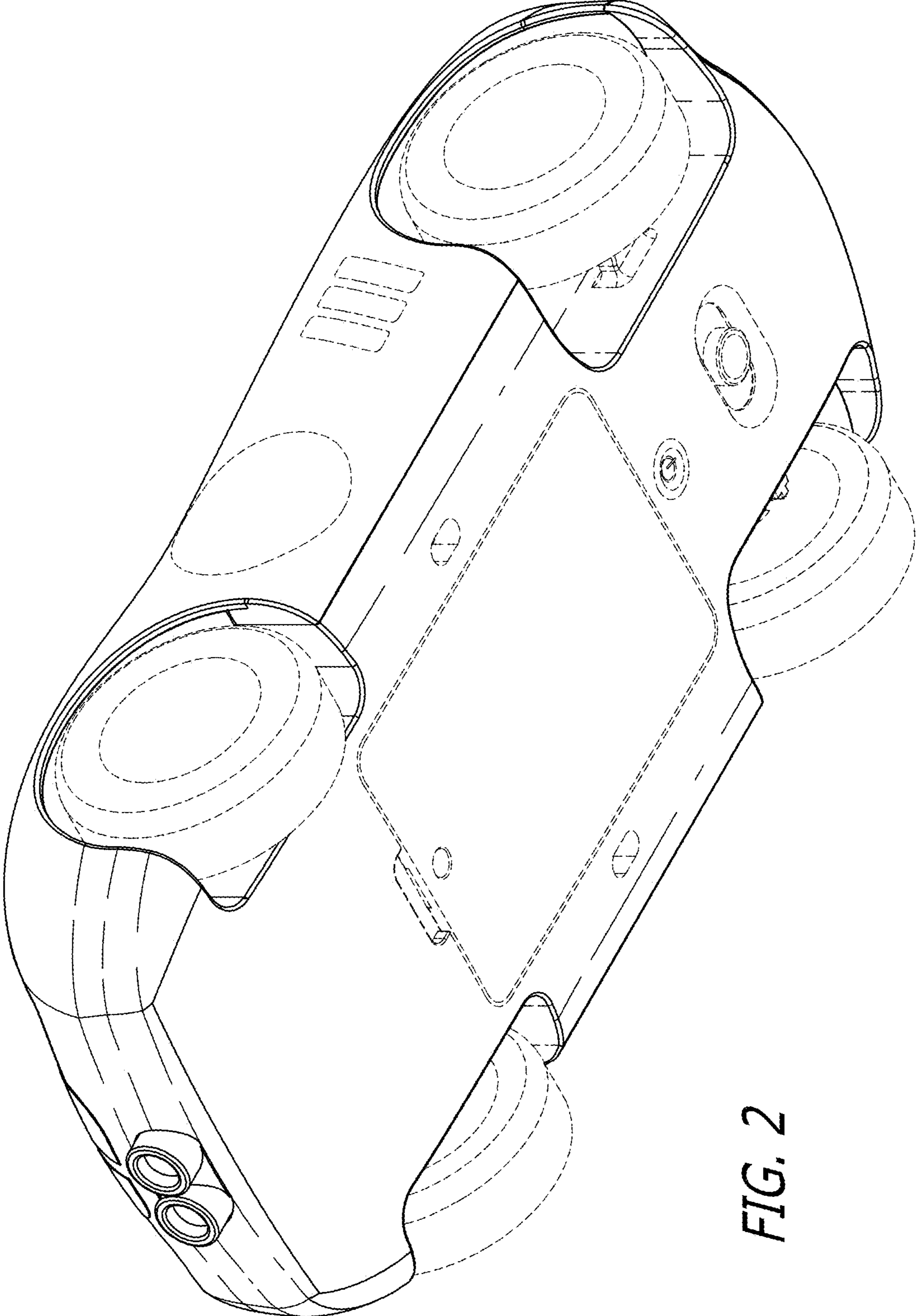


FIG. 2

FIG. 3

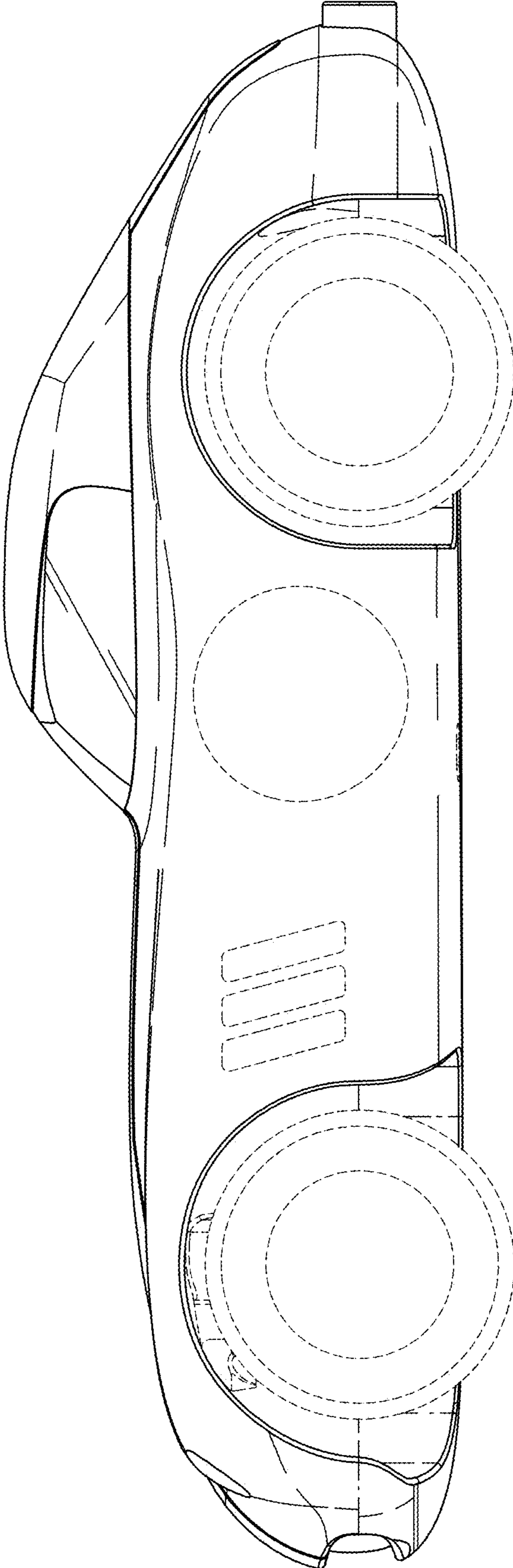
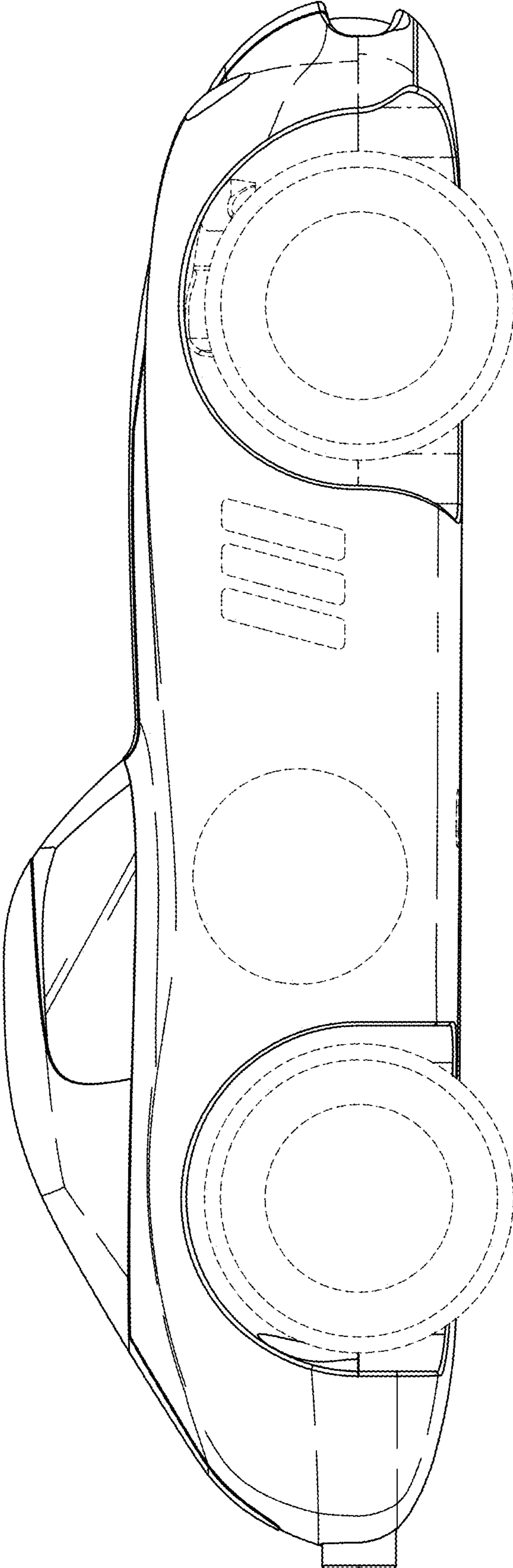


FIG. 4



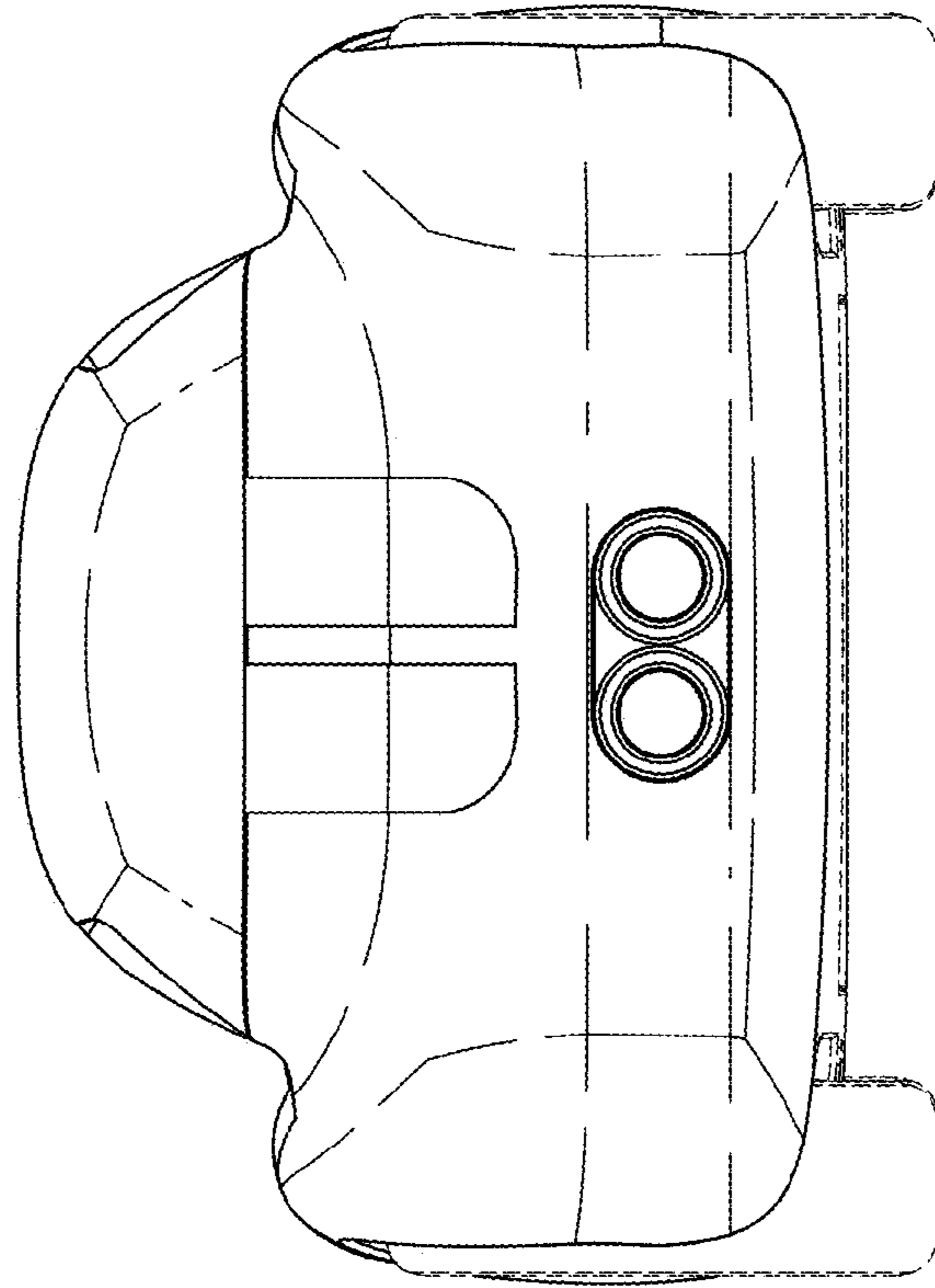


FIG. 5

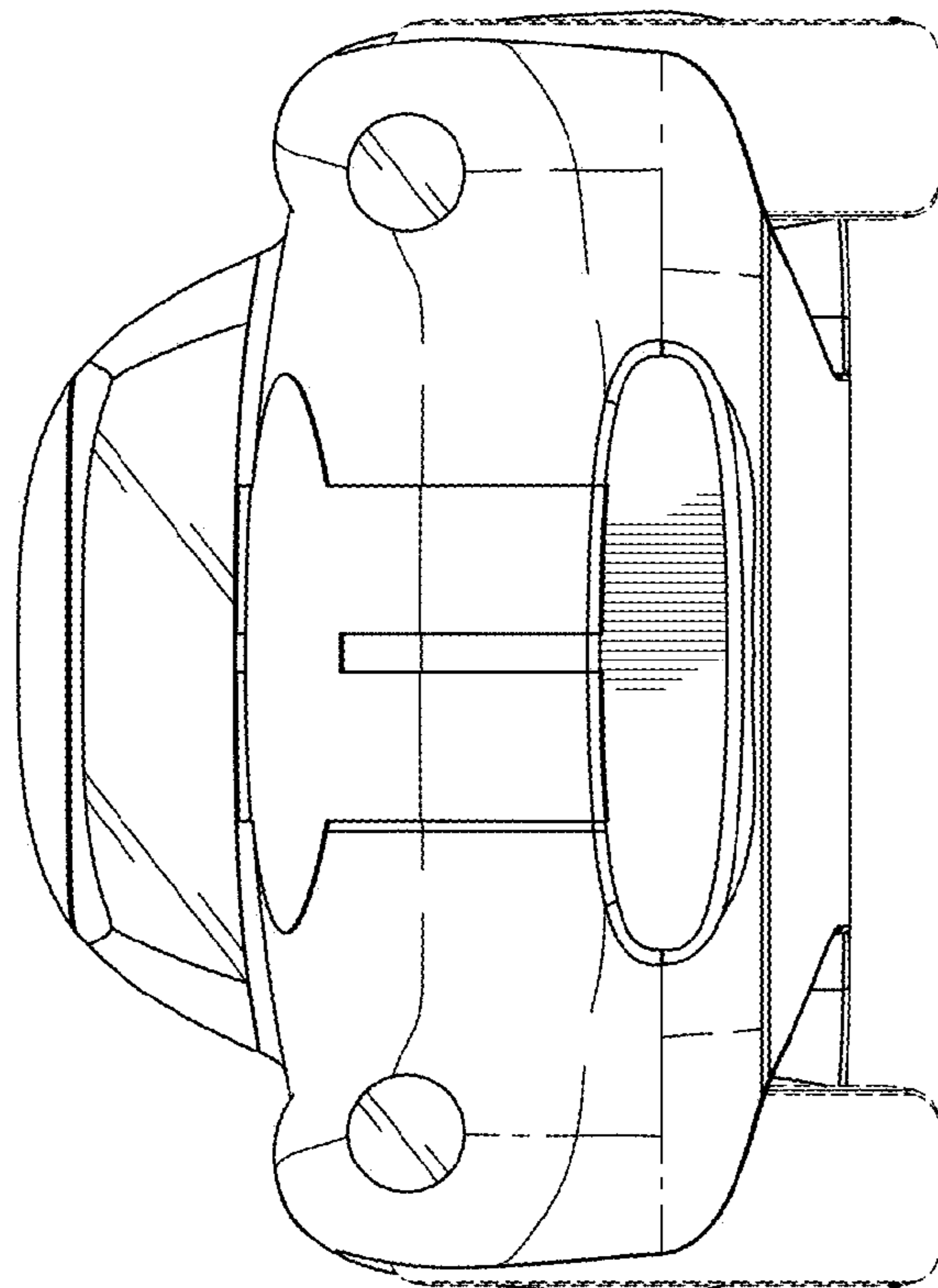


FIG. 6

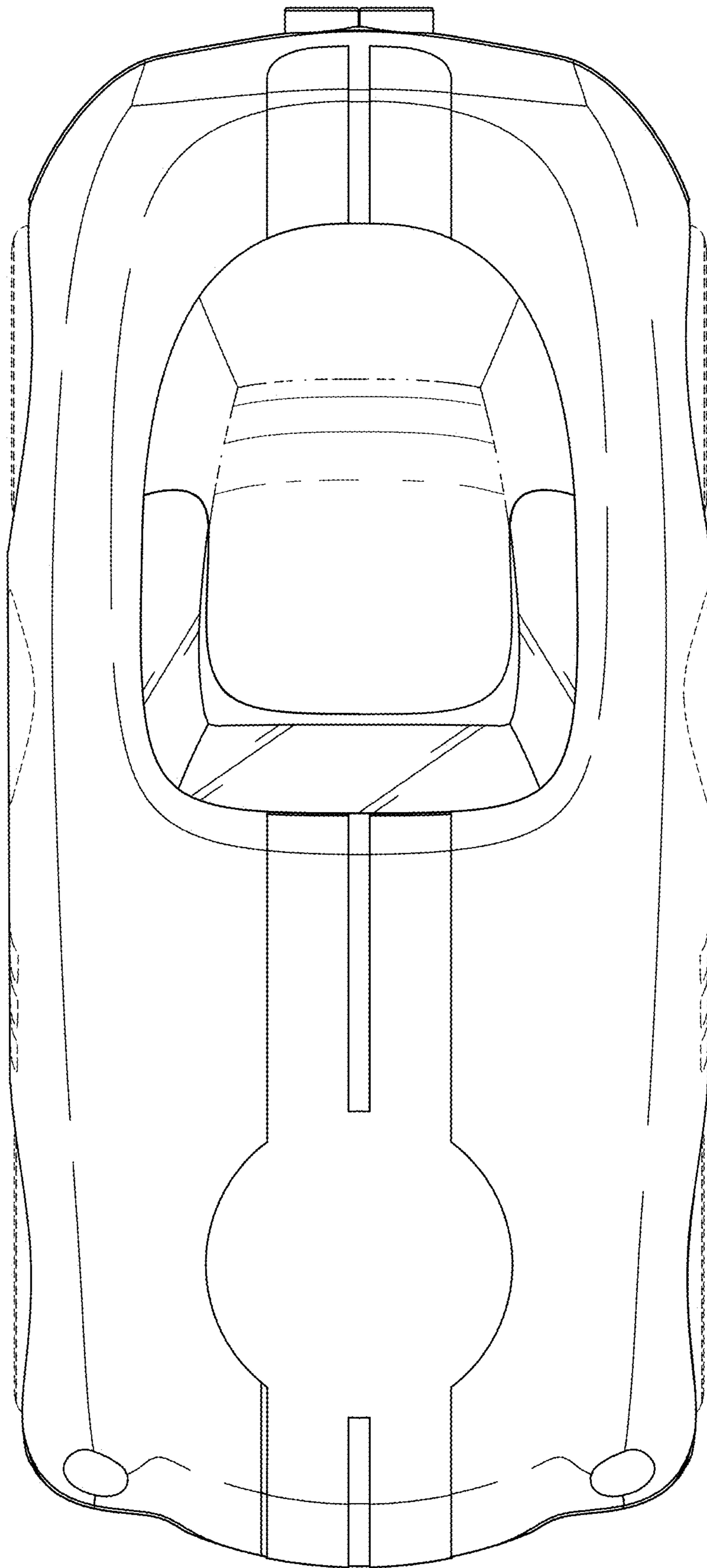


FIG. 7



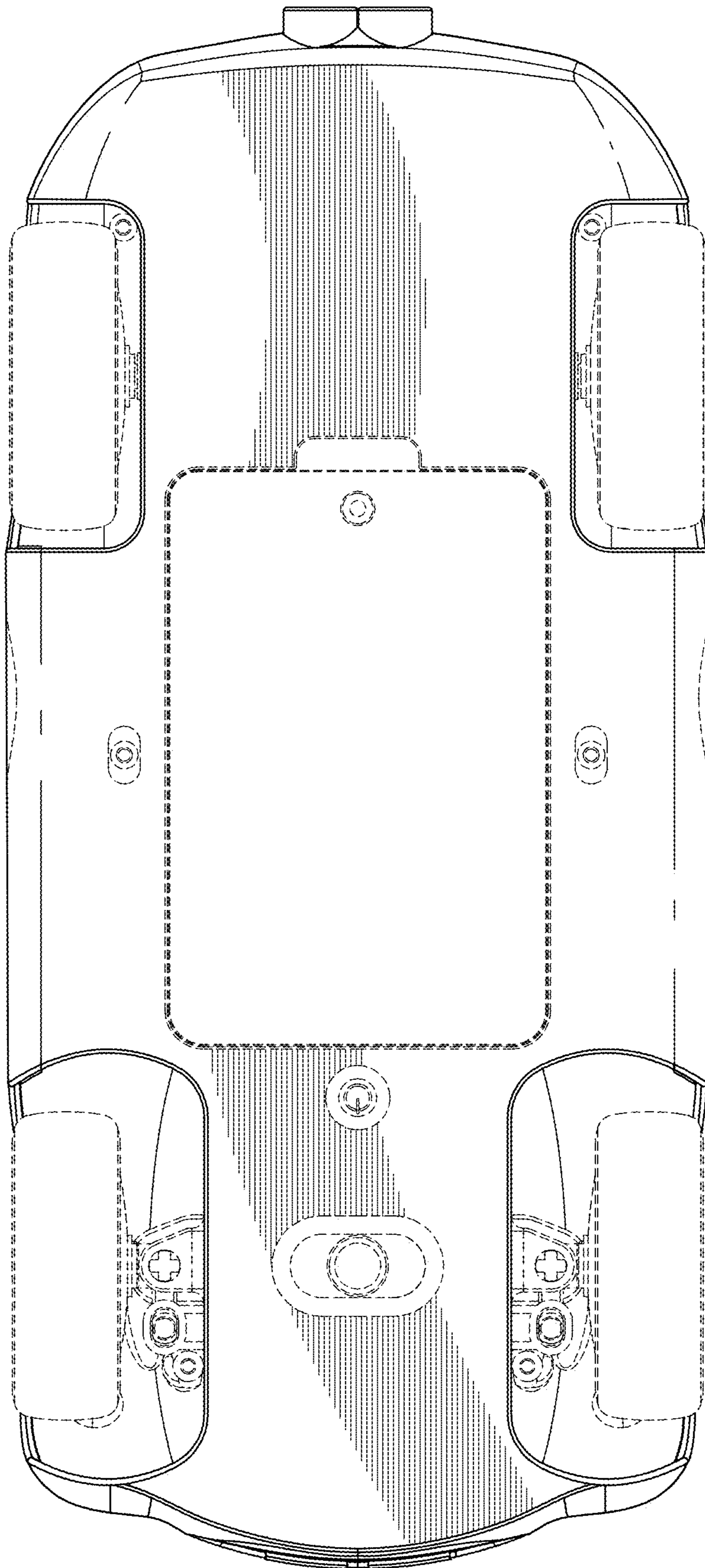


FIG. 8