



US00D985686S

(12) **United States Design Patent** (10) **Patent No.:** **US D985,686 S**
Jin (45) **Date of Patent:** **** May 9, 2023**

(54) **TOY CLIP**
(71) Applicant: **Guoliang Jin**, Shantou (CN)
(72) Inventor: **Guoliang Jin**, Shantou (CN)

(**) Term: **15 Years**

(21) Appl. No.: **29/850,731**

(22) Filed: **Aug. 23, 2022**

(30) **Foreign Application Priority Data**

Mar. 7, 2022 (CN) 202230111612.3

(51) **LOC (14) Cl.** **21-01**

(52) **U.S. Cl.**
USPC **D21/532**

(58) **Field of Classification Search**
USPC D21/532, 588, 658, 398, 614; D7/368;
D11/158
See application file for complete search history.

(56) **References Cited**

U.S. PATENT DOCUMENTS

6,120,073	A *	9/2000	Jones	A01D 51/00 294/58
D690,779	S	10/2013	Georgakopoulos		
D720,818	S	1/2015	Wang		
D734,404	S *	7/2015	Fayolle	D21/604
D778,994	S *	2/2017	Johnson	D21/604
D780,270	S *	2/2017	Darcy	D21/604
D822,744	S *	7/2018	Hathway	D16/202
D847,274	S *	4/2019	Molenaar	D21/302
D854,098	S *	7/2019	Jiang	D21/604
D898,839	S *	10/2020	Mowbray	D21/652
D953,448	S *	5/2022	Rogers	D21/611
D957,530	S *	7/2022	Chen	D21/401
2019/0039230	A1 *	2/2019	Schleiminger	B25G 1/10
2021/0378429	A1 *	12/2021	Rose	A47G 21/10
2022/0054950	A1 *	2/2022	Vansot	A63H 3/02

2022/0132743	A1 *	5/2022	Newbury	A01G 3/02 7/114
2022/0226743	A1 *	7/2022	Brown	A63H 3/006
2022/0339550	A1 *	10/2022	Sud	A63H 3/02
2022/0355214	A1 *	11/2022	Mapp	A63H 3/003

OTHER PUBLICATIONS

Sdjma, announced 2020 [online], [site visited Dec. 5, 2022]. Available on internet, URL:https://www.walmart.com/ip/Clearance-SDJMa-Reindeer-Shaped-Snowball-Maker-Snow-Ball-Toys-Games-with-Handle-for-Kids-Outdoor-Indoor-Winter-Snowball-Fight-Maker-Tool-Clip/2286567620? (Year: 2020).*

Qisiwole, announced 2020 [online], [site visited Dec. 5, 2022]. Available on internet, URL:https://www.walmart.com/ip/QISIWOLE-Reindeer-Shaped-Snowball-Maker-Snow-Ball-Toys-Games-with-Handle-for-Kids-Outdoor-Indoor-Winter-Snowball-Fight-Maker-Tool-Clip/1022407984? (Year: 2020).*

* cited by examiner

Primary Examiner — Khawaja Anwar
Assistant Examiner — Julice Seung Eun Oum
(74) *Attorney, Agent, or Firm* — Jeenam Park

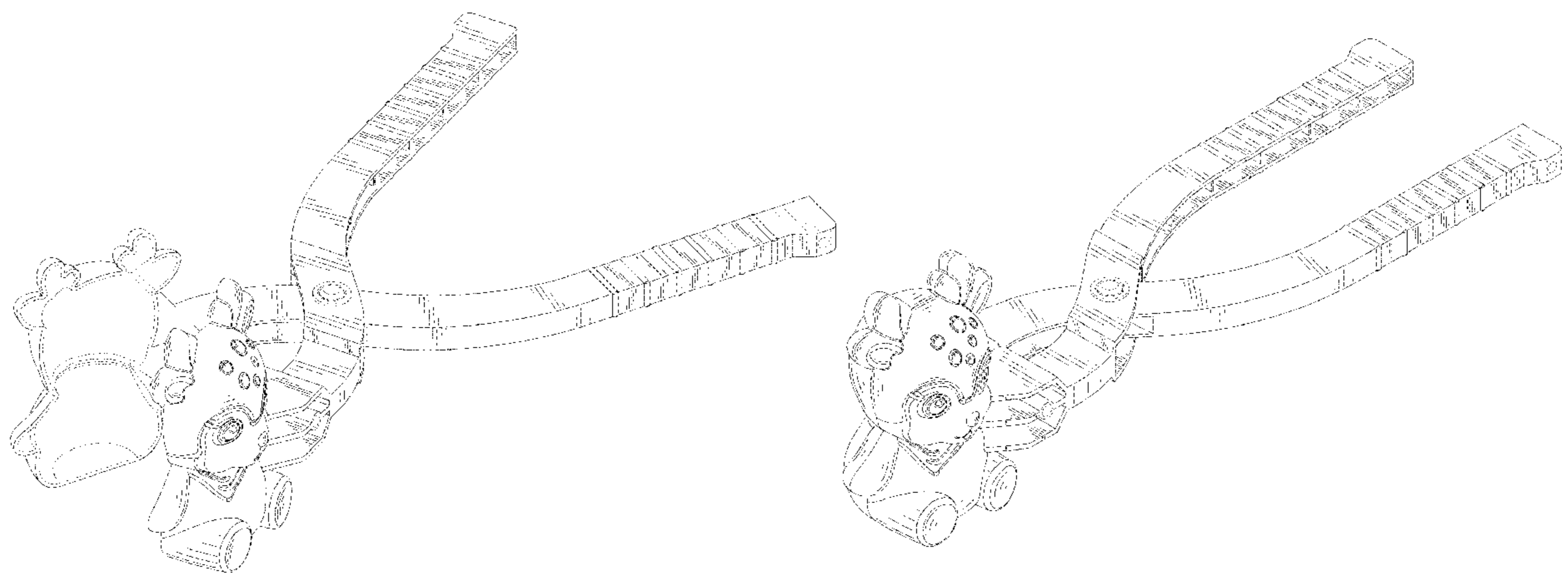
(57) **CLAIM**

The ornamental design for a toy clip, as shown and described.

DESCRIPTION

FIG. 1 is a front, right and top perspective view of a toy clip in the open configuration, showing my new design;
FIG. 2 is a front, right and top perspective view of the toy clip;
FIG. 3 is a front view thereof;
FIG. 4 is a rear view thereof;
FIG. 5 is a left side view thereof;
FIG. 6 is a right side view thereof;
FIG. 7 is a top plan view thereof; and,
FIG. 8 is a bottom plan view thereof.
The broken lines shown in the drawings illustrate portions of the toy clip that form no part of the claimed design.

1 Claim, 8 Drawing Sheets



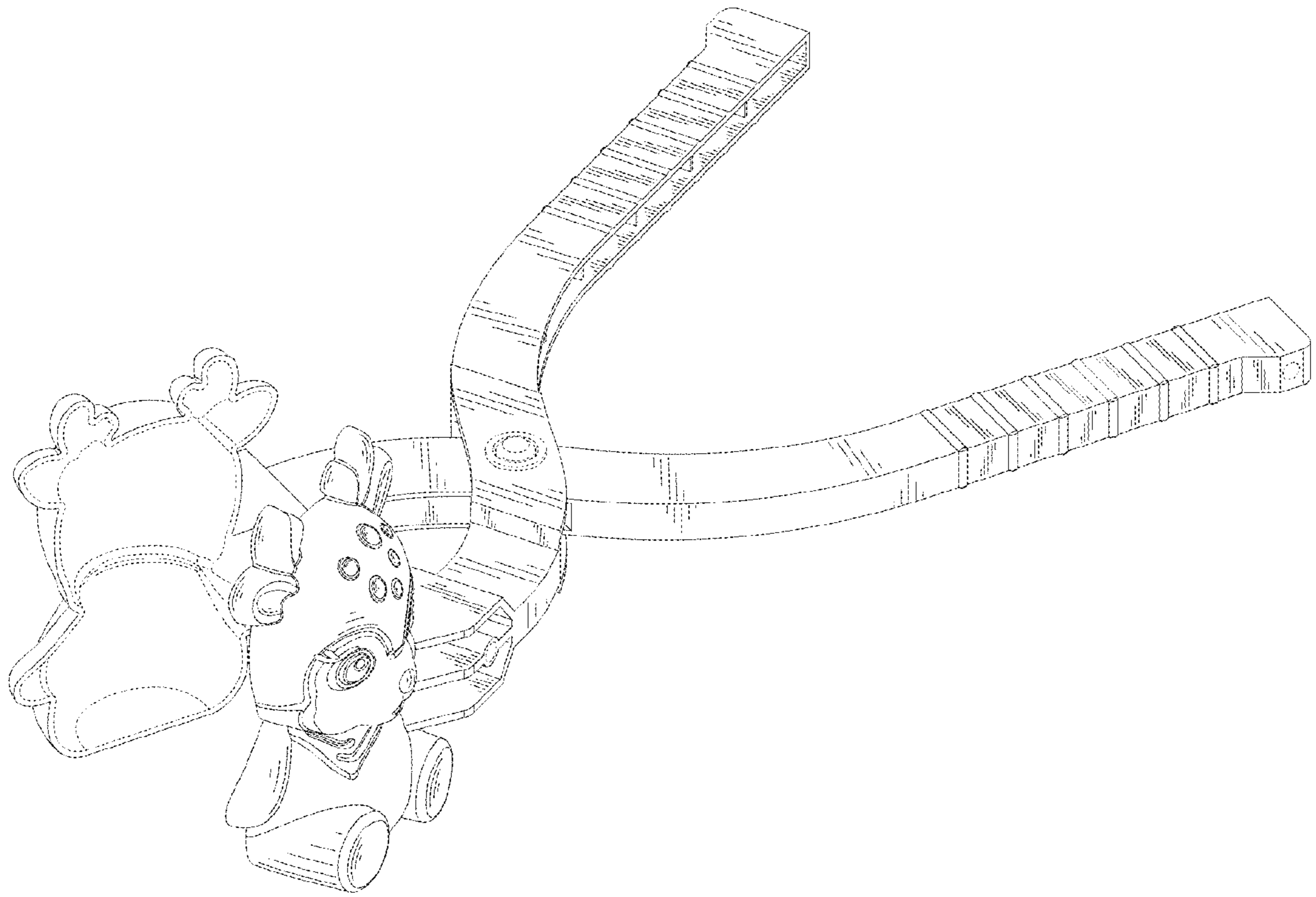


FIG. 1

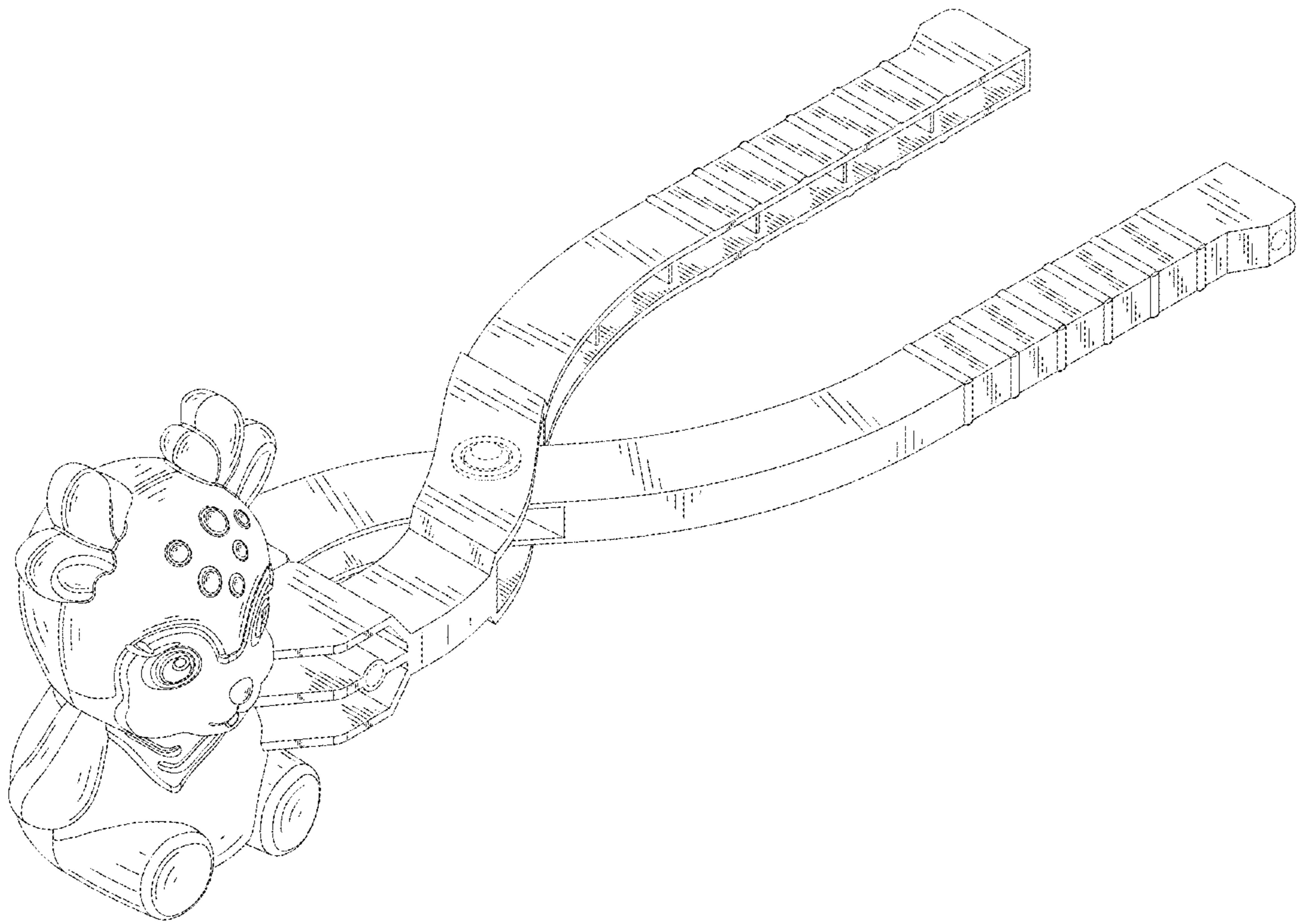


FIG. 2

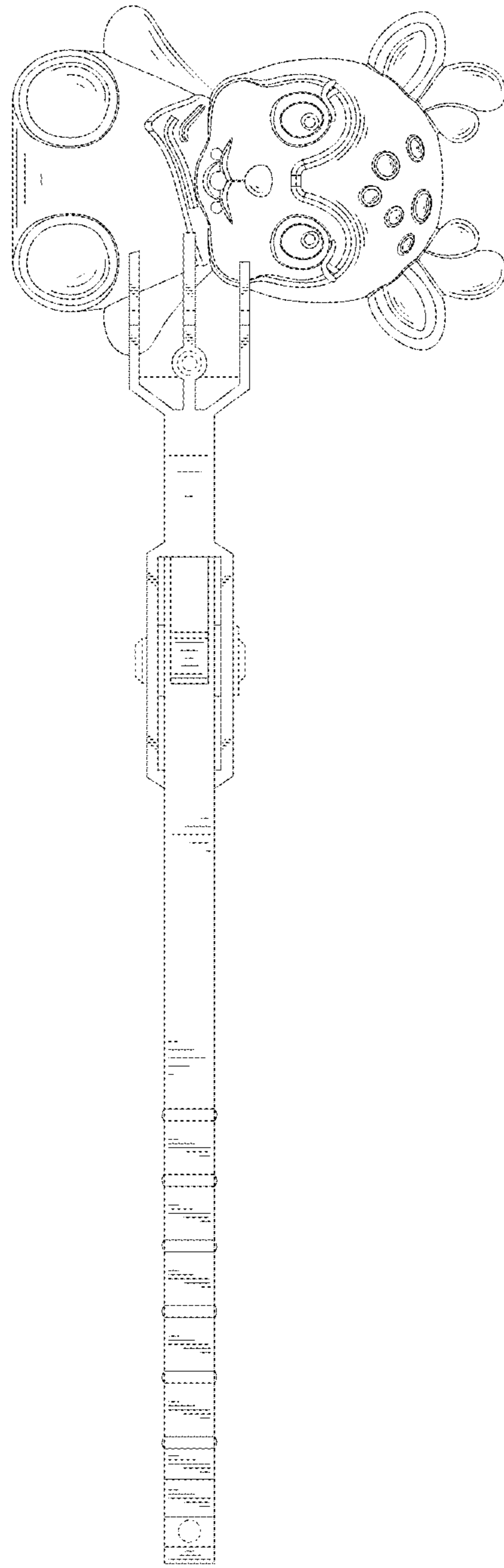


FIG. 3

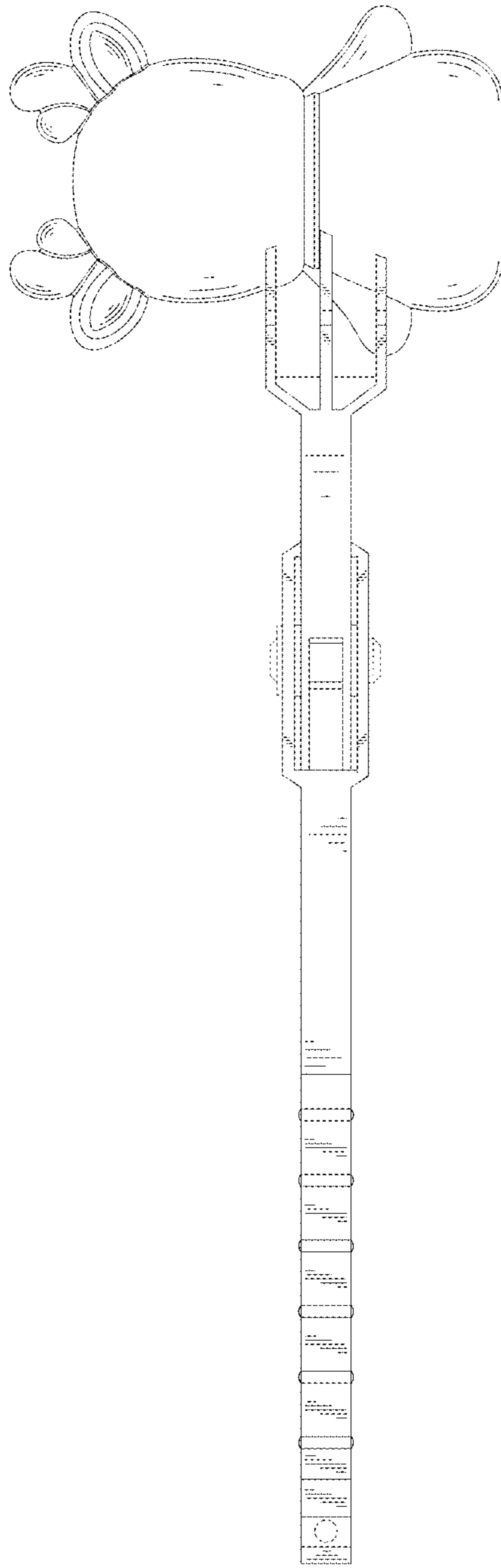


FIG. 4

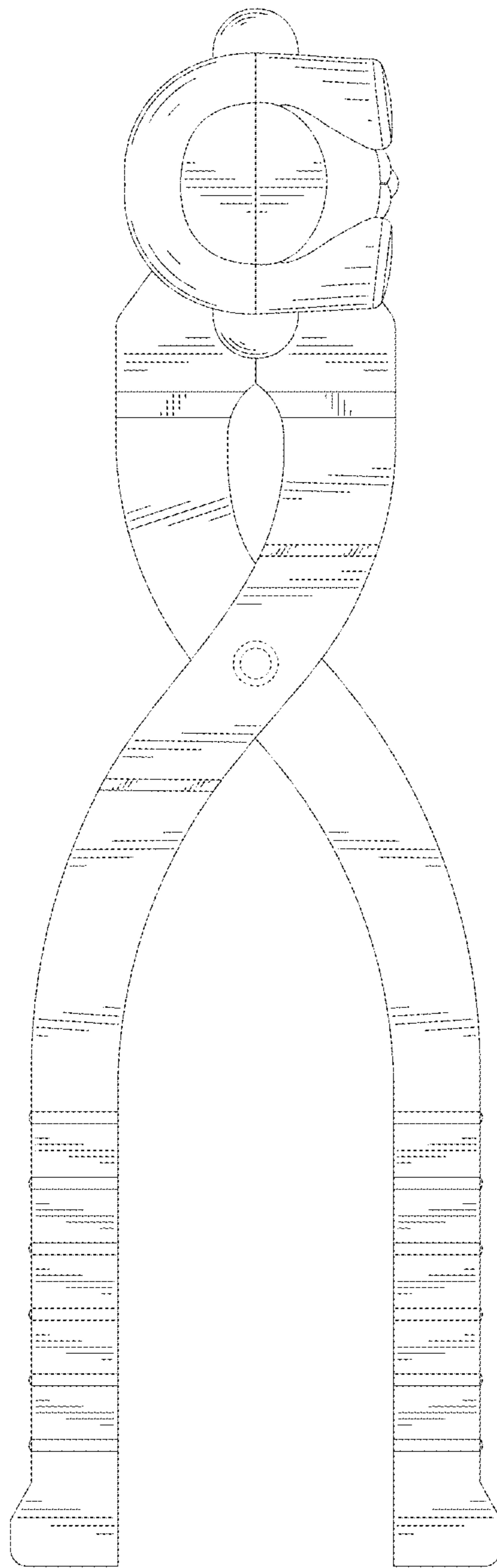


FIG. 5

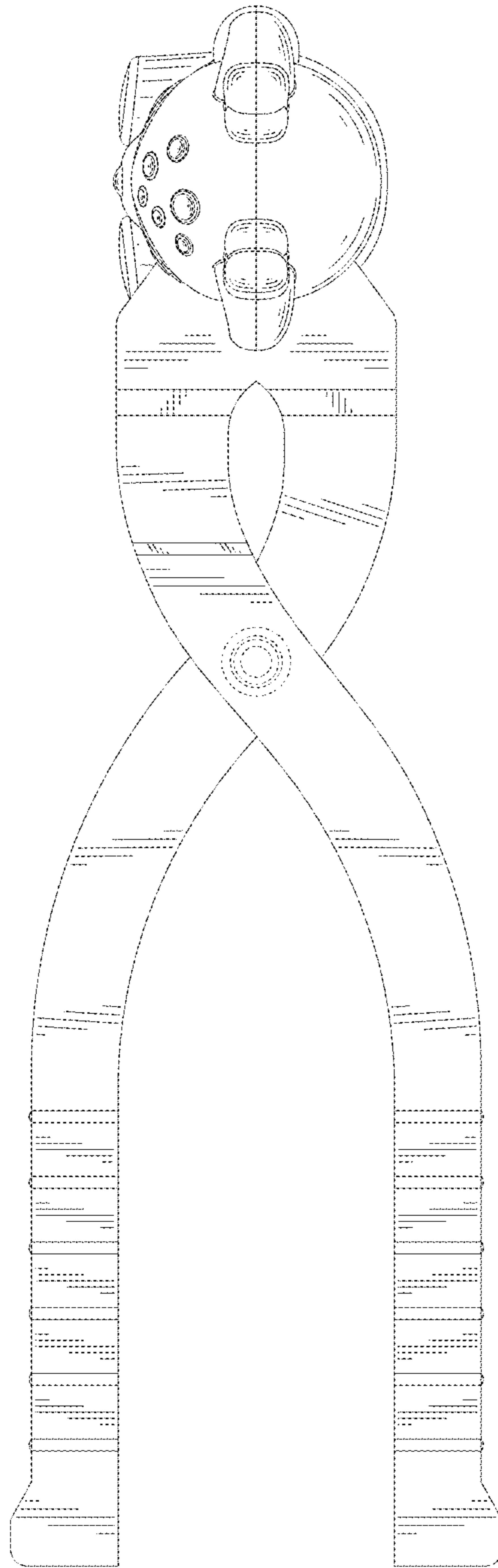


FIG. 6

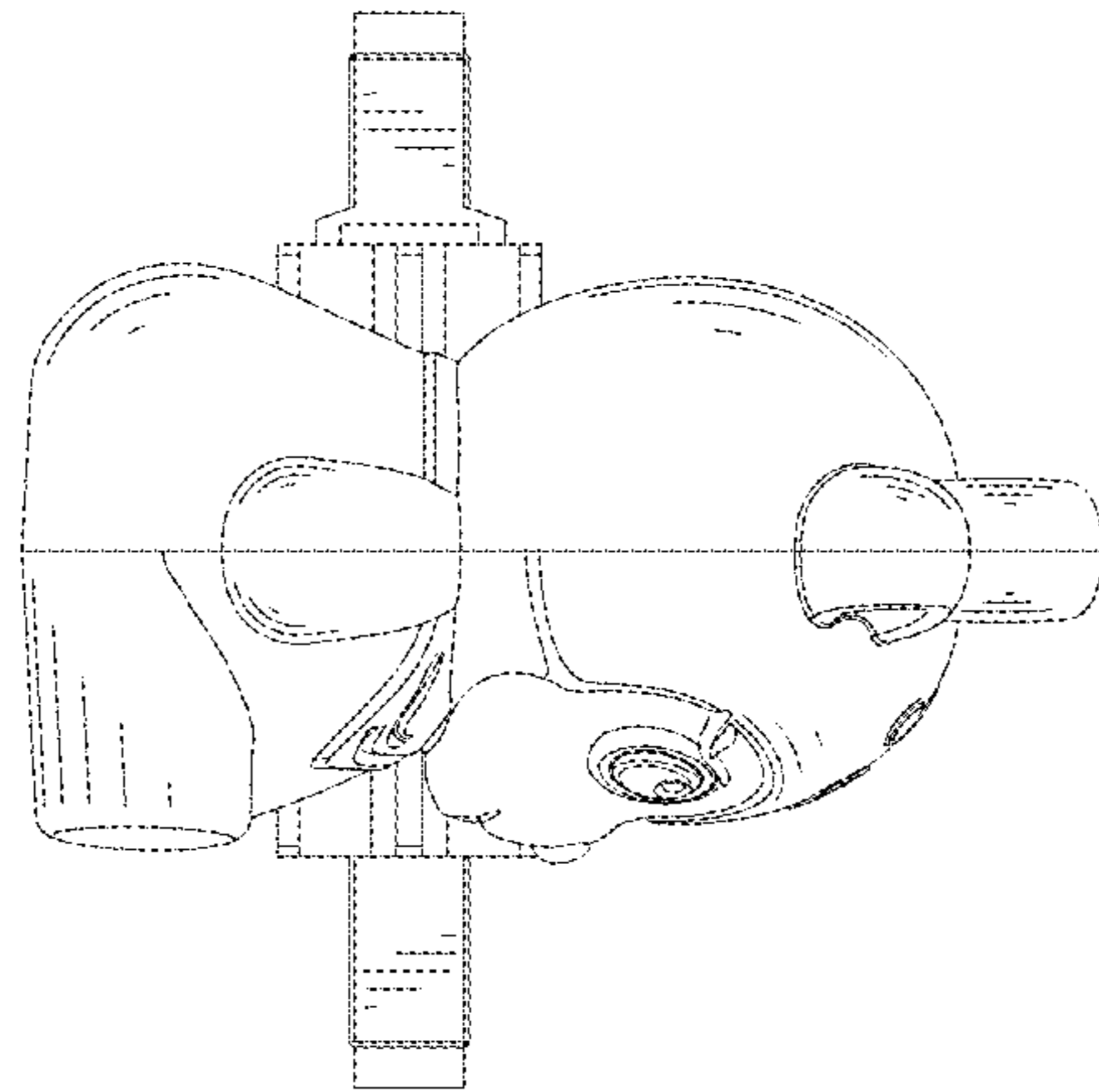


FIG. 7

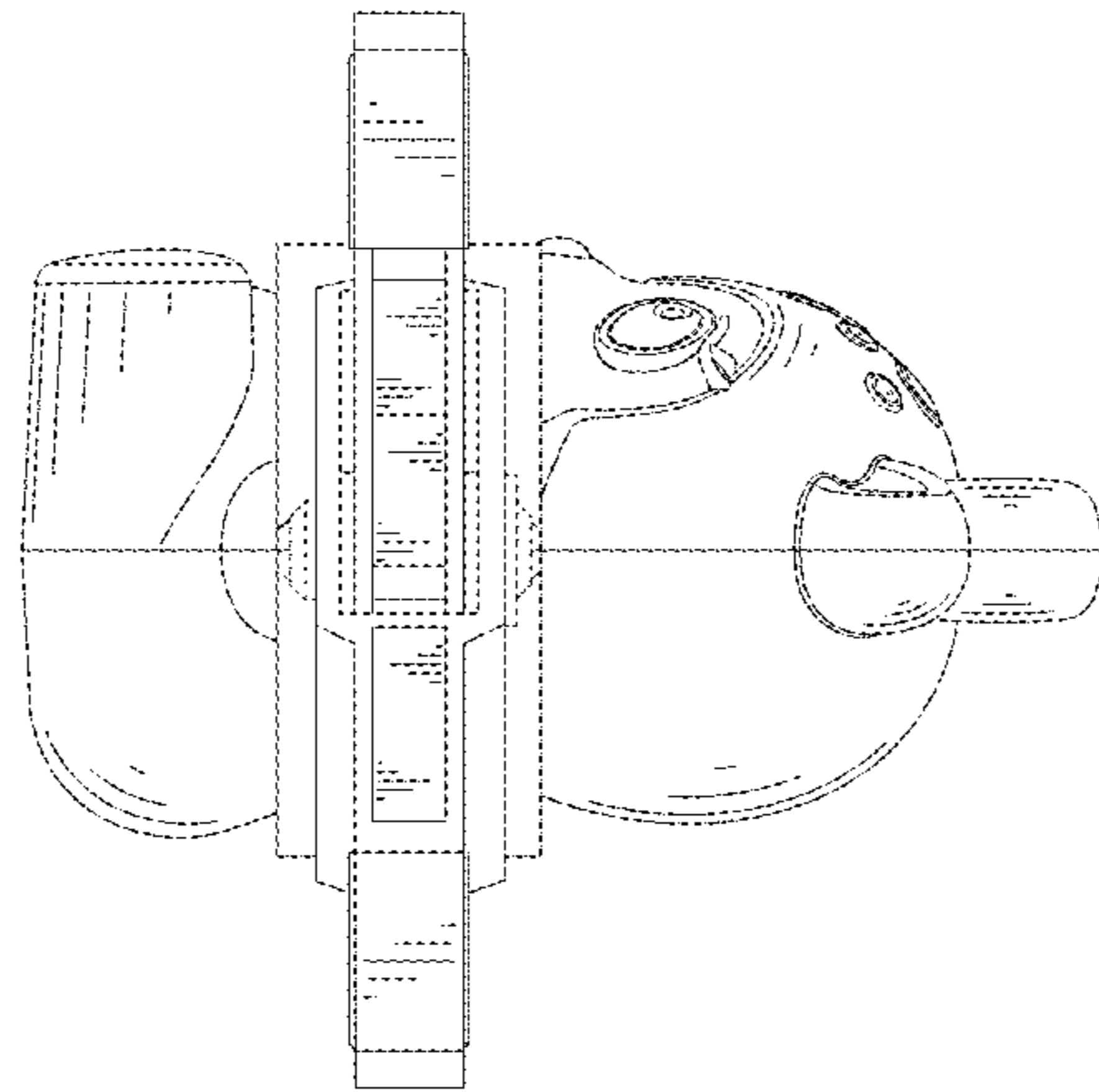


FIG. 8