



US00D985685S

(12) **United States Design Patent**
Zhang

(10) **Patent No.:** **US D985,685 S**

(45) **Date of Patent:** **** May 9, 2023**

(54) **TROLLEY TOY**

(71) Applicant: **Rong Zhang**, Shantou (CN)

(72) Inventor: **Rong Zhang**, Shantou (CN)

(**) Term: **15 Years**

(21) Appl. No.: **29/852,164**

(22) Filed: **Sep. 2, 2022**

(51) **LOC (14) Cl.** **21-01**

(52) **U.S. Cl.**
USPC **D21/526**

(58) **Field of Classification Search**
USPC D21/506, 526, 425, 818, 826, 834, 837,
D21/827, 814, 819, 398, 421, 422, 507,
D21/501, 502, 508, 530, 534, 535, 536
See application file for complete search history.

(56) **References Cited**

U.S. PATENT DOCUMENTS

D261,404 S *	10/1981	Appel	D21/524
D276,173 S	10/1984	Allen		
D279,304 S *	6/1985	Imatt	D21/524
D293,067 S *	12/1987	Stephen	D7/334
D299,839 S *	2/1989	Argandona	D21/524
D366,292 S *	1/1996	Monneret	D21/524
D370,947 S *	6/1996	Pipik	D21/524
7,094,126 B1 *	8/2006	Lenihan	A63H 33/3055 446/481
D531,680 S *	11/2006	Lo	D21/524

OTHER PUBLICATIONS

Celetoy, announced 2021 [online], [site visited Dec. 6, 2022]. Available on the internet, URL:https://www.amazon.com/Kitchen-Suitcase-Realistic-Accessories-Toddlers/dp/B0B93LSPPP/ref (Year: 2021).*

* cited by examiner

Primary Examiner — Khawaja Anwar

Assistant Examiner — Julice Seung Eun Oum

(74) *Attorney, Agent, or Firm* — Justin Lampel

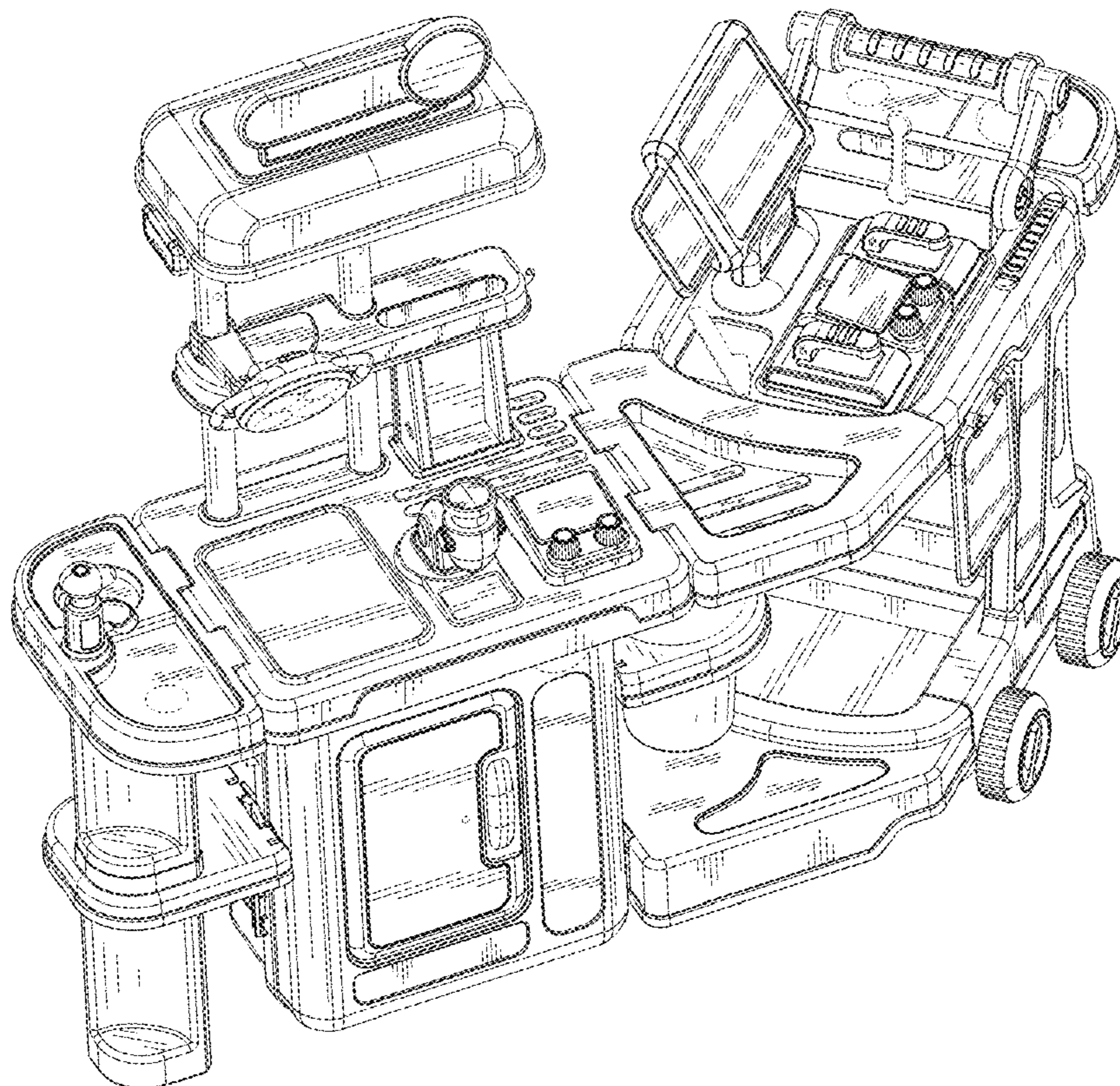
(57) **CLAIM**

The ornamental design for a trolley toy, as shown and described.

DESCRIPTION

FIG. 1 is a perspective view of a trolley toy showing the claimed design;
FIG. 2 is another perspective view thereof;
FIG. 3 is a front view thereof;
FIG. 4 is a rear elevational view thereof;
FIG. 5 is a left side view thereof;
FIG. 6 is a right side view thereof;
FIG. 7 is a top plan view thereof; and,
FIG. 8 is a bottom plan view thereof.
The broken lines form no part of the claimed design.

1 Claim, 8 Drawing Sheets



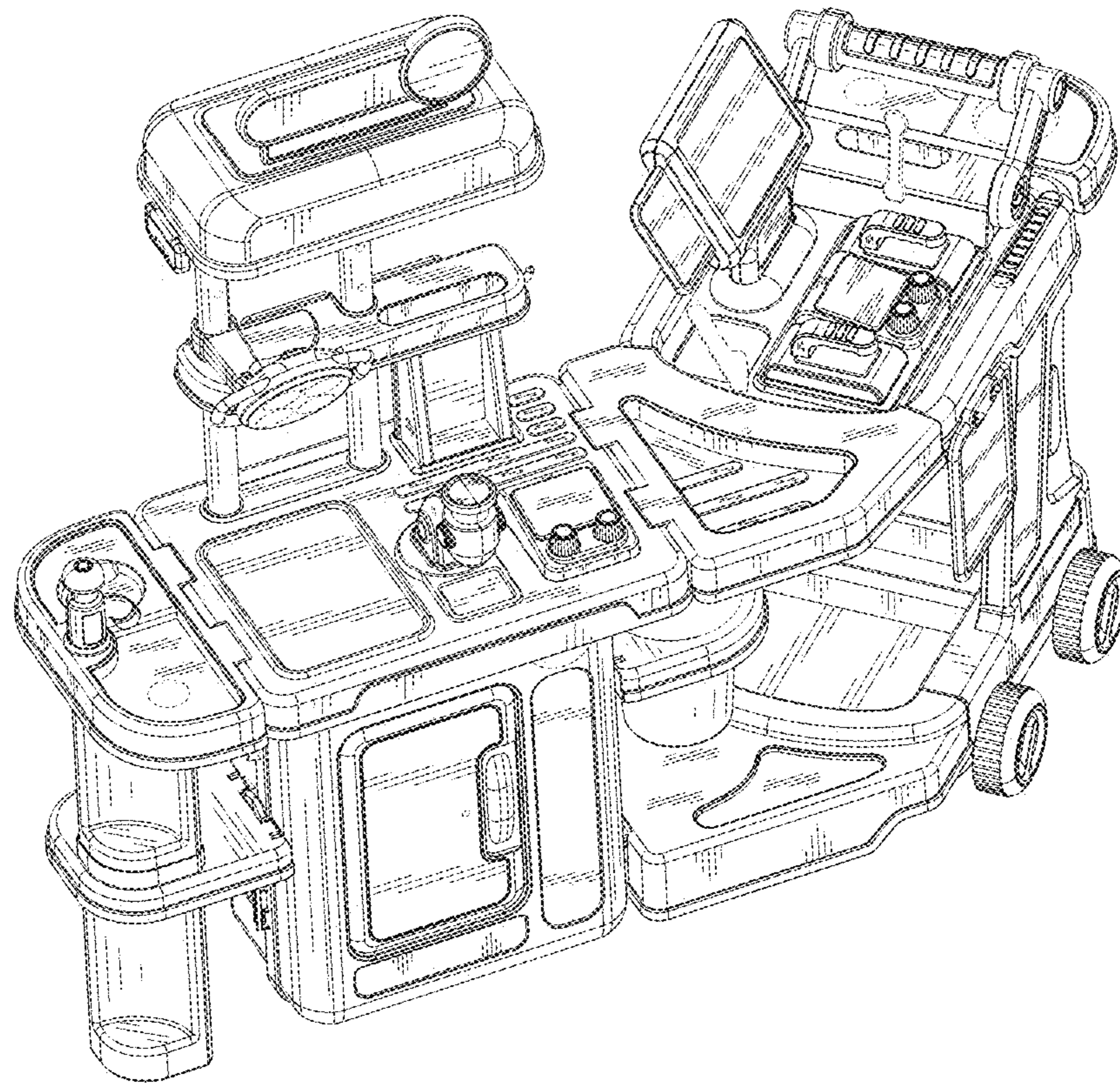


FIG. 1

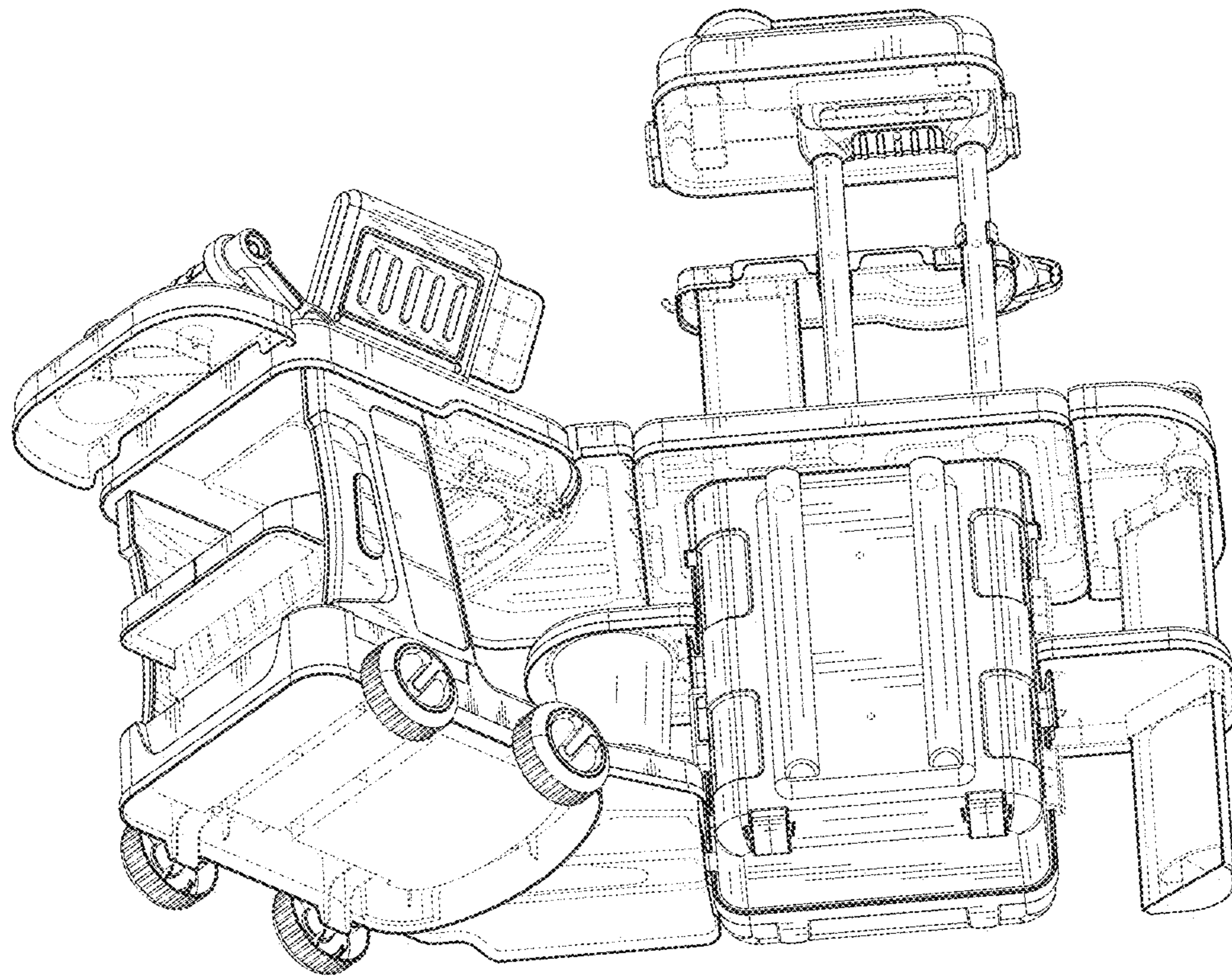


FIG. 2

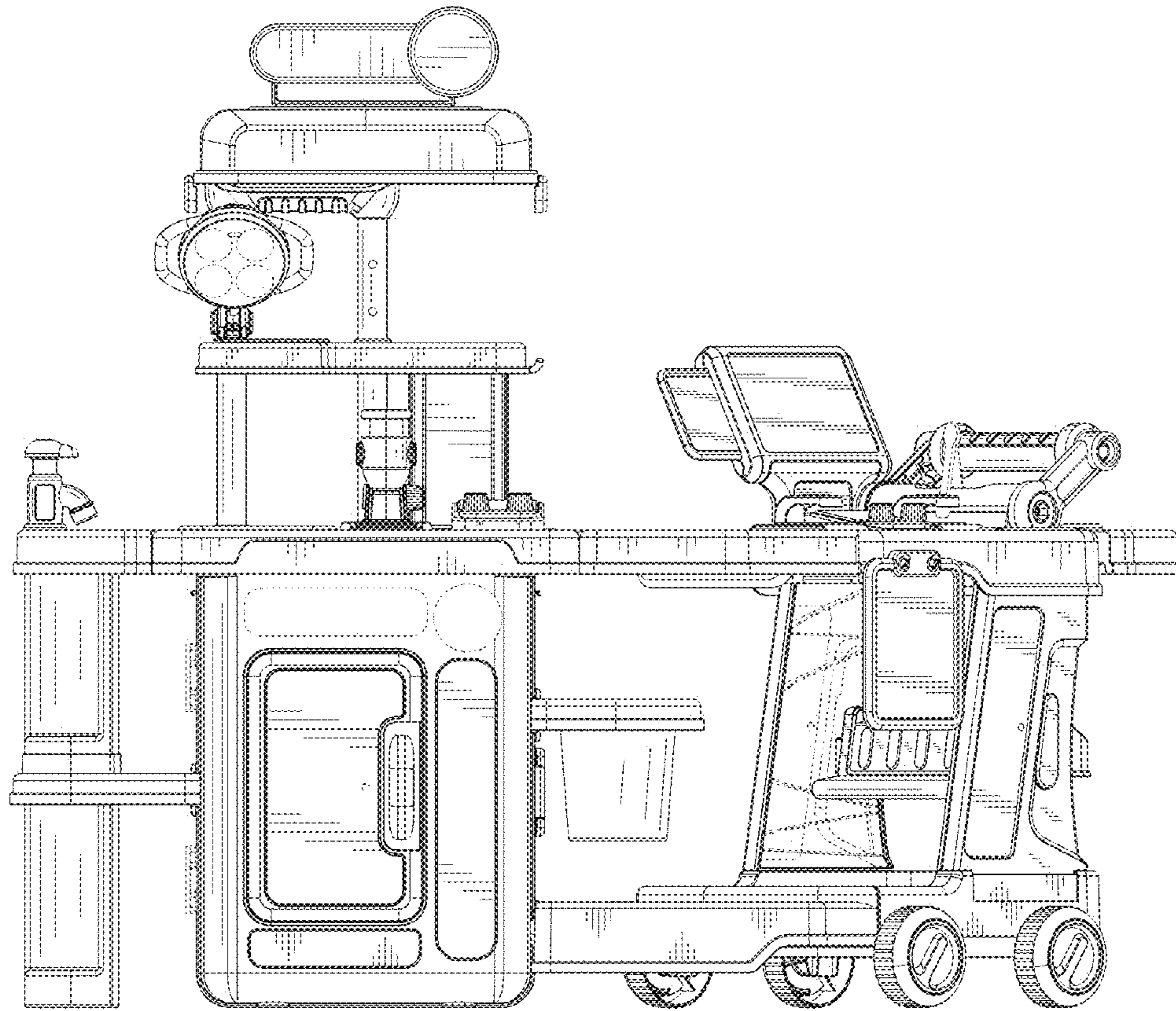


FIG. 3

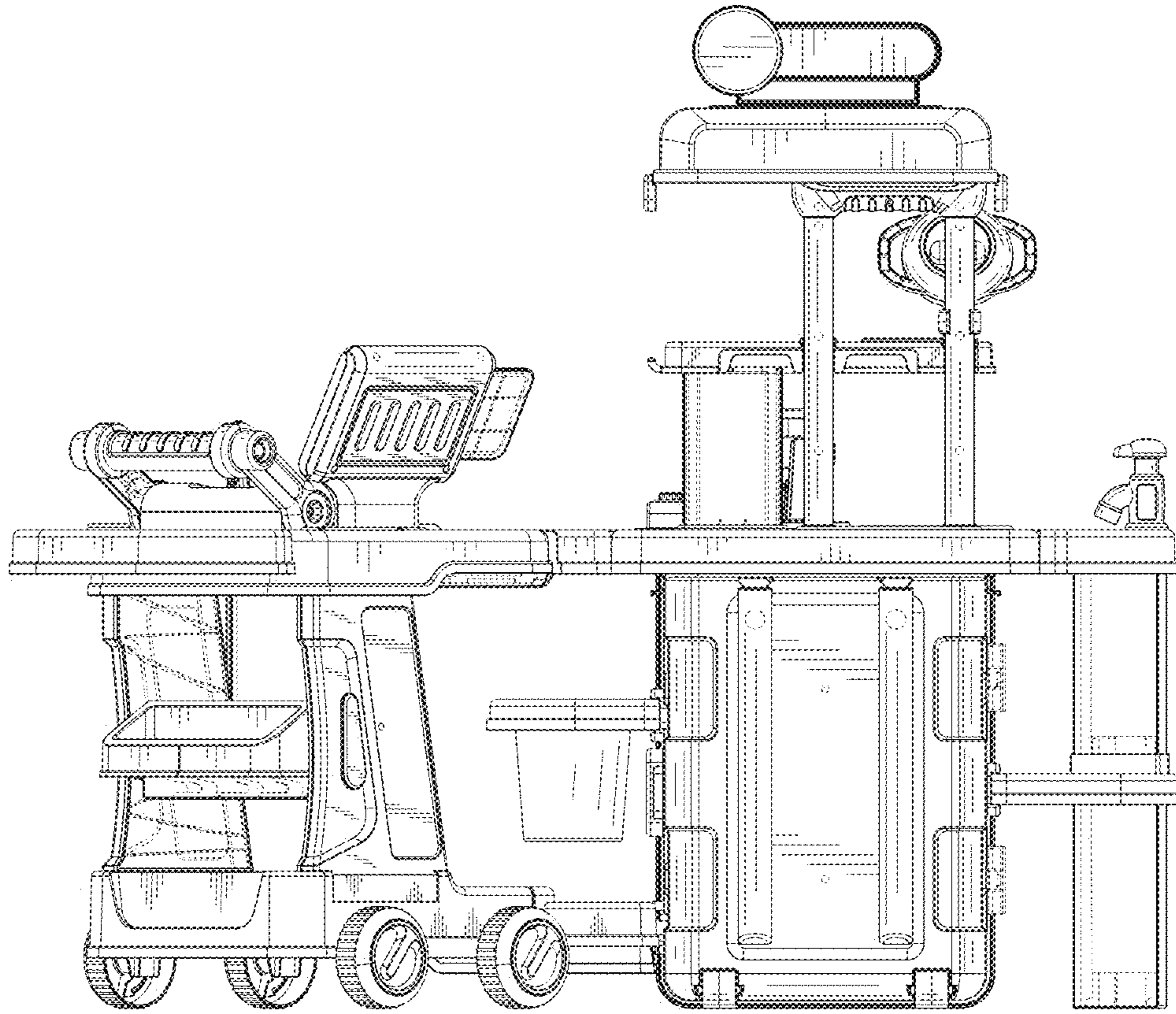


FIG. 4

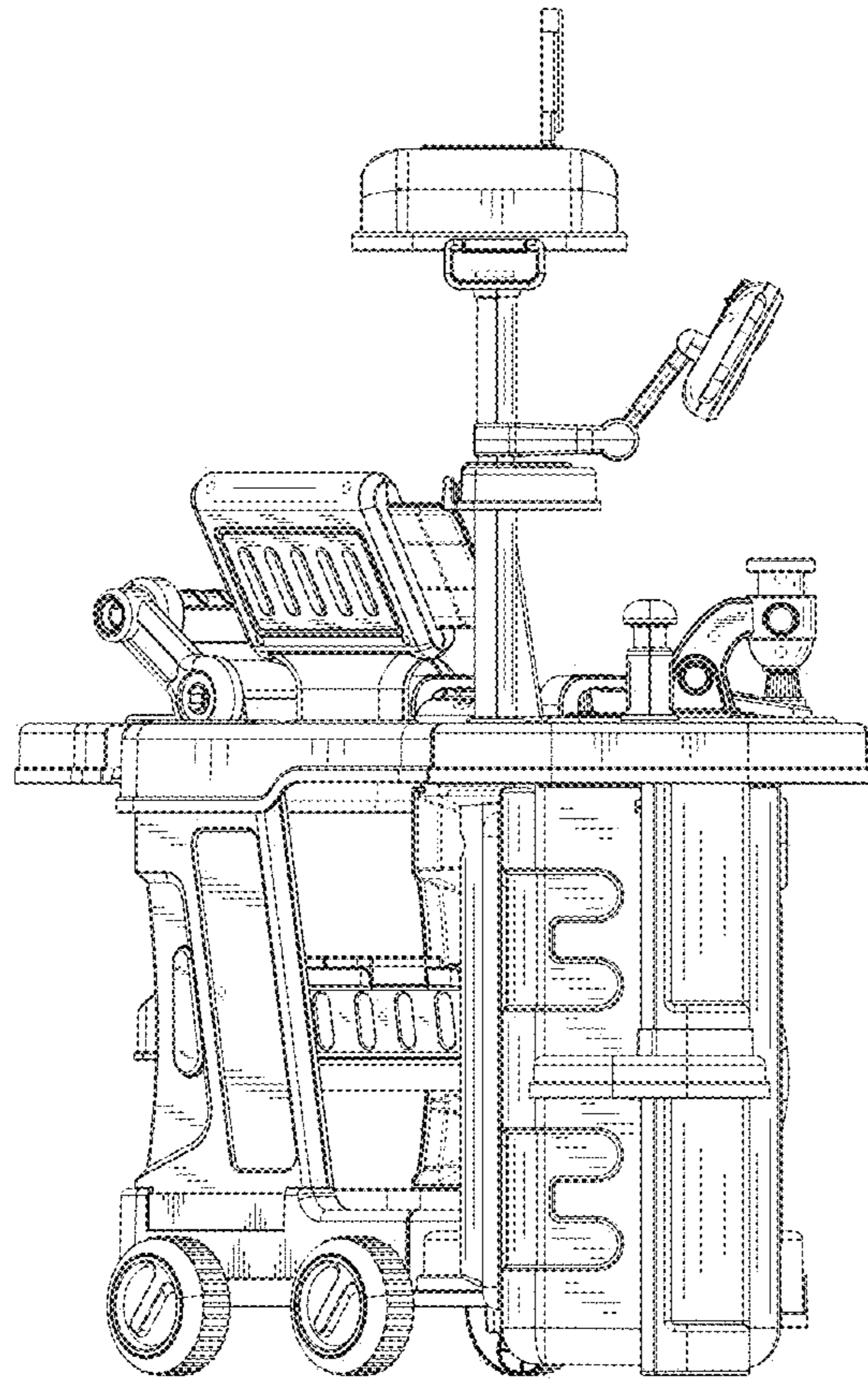


FIG. 5

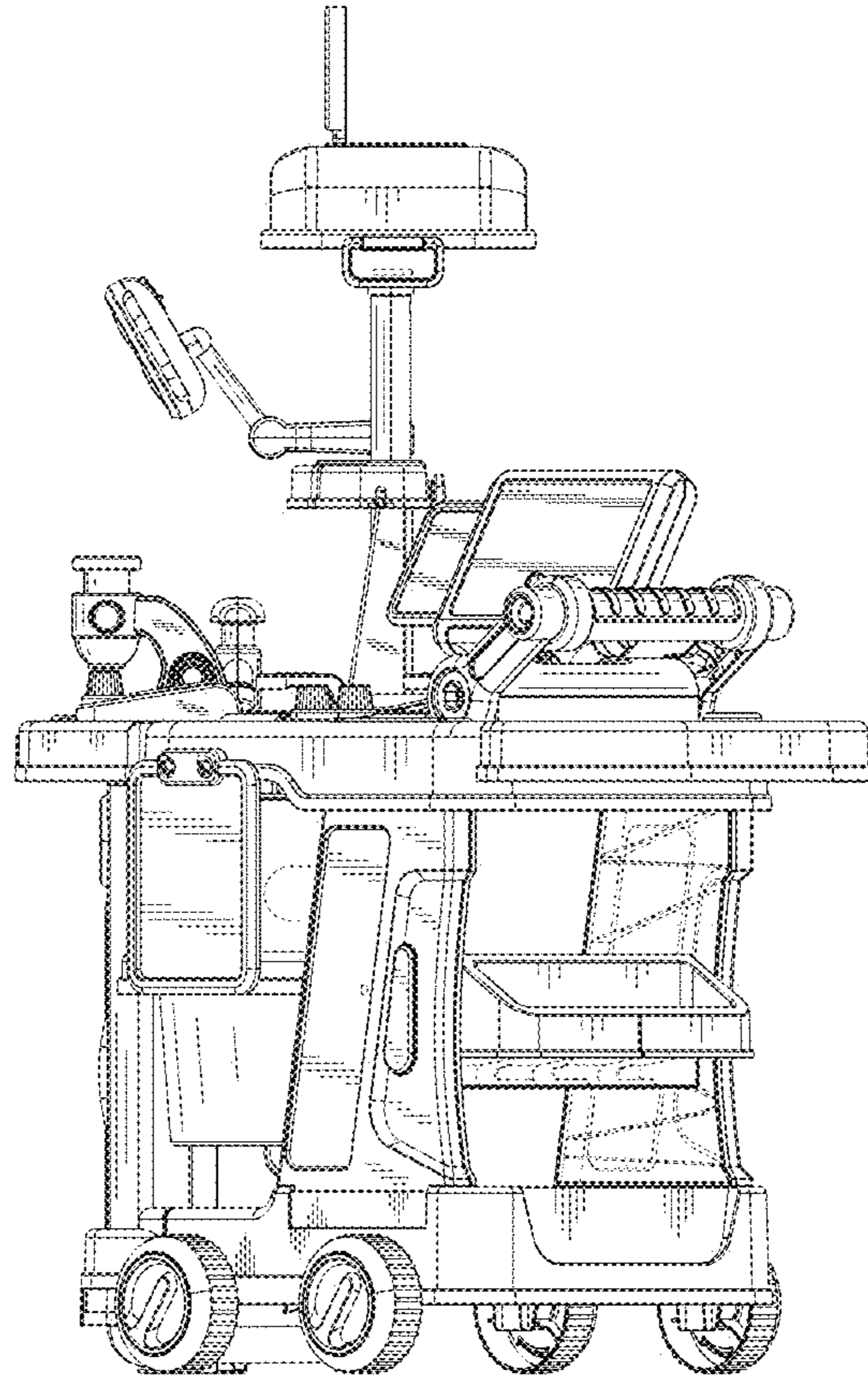


FIG. 6

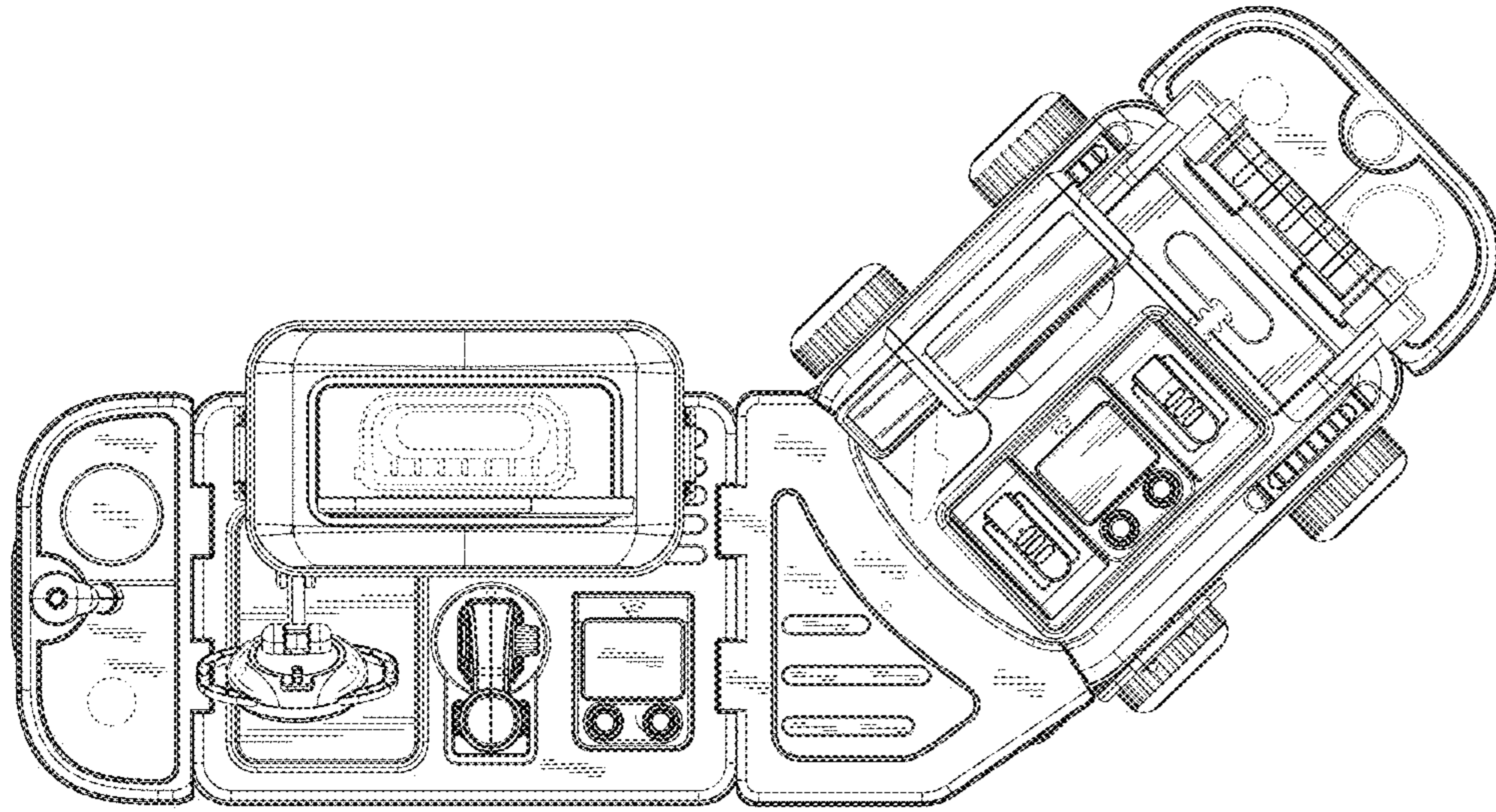


FIG. 7

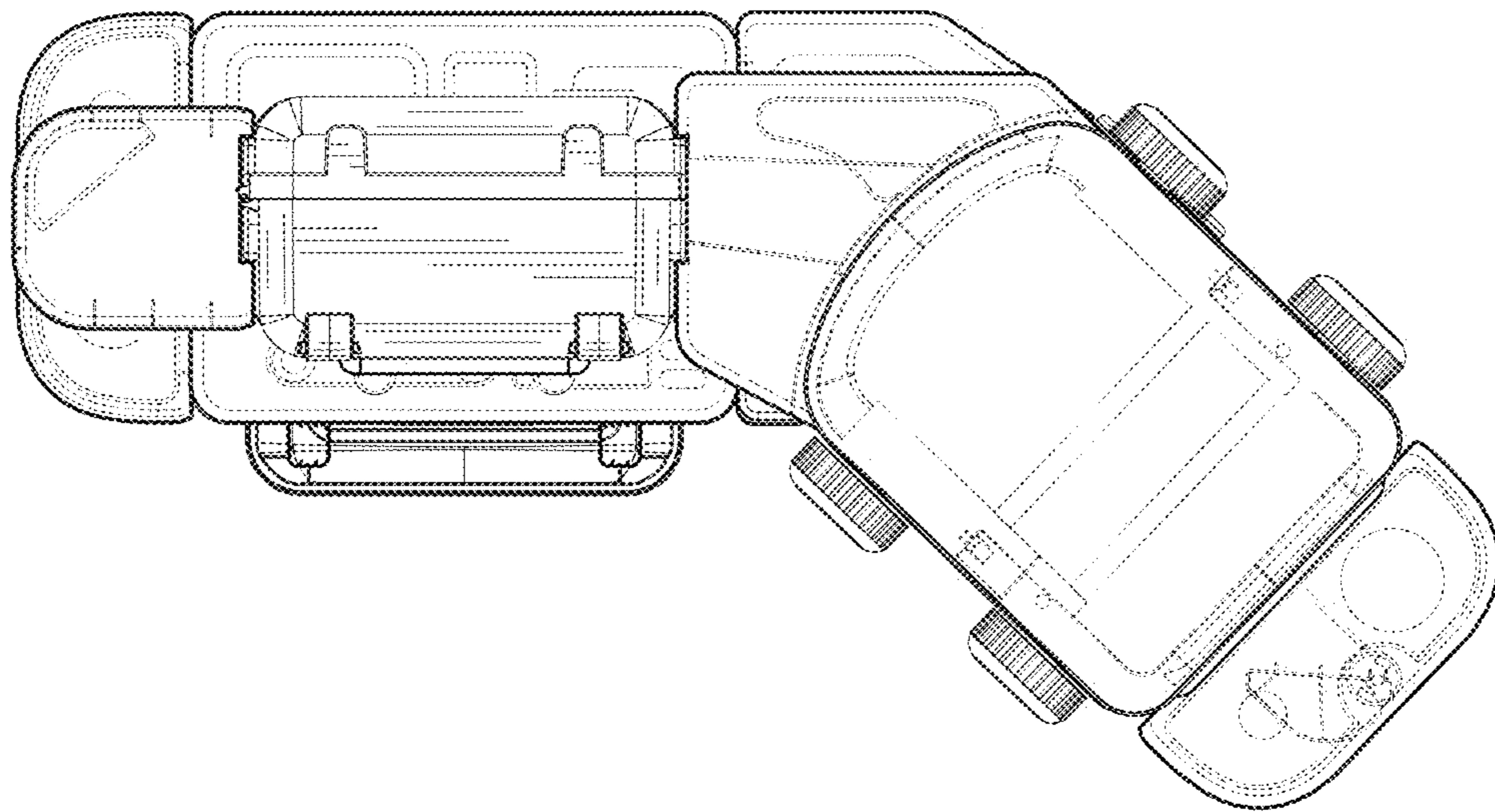


FIG. 8