



US00D985684S

(12) **United States Design Patent**
Xu

(10) **Patent No.:** **US D985,684 S**

(45) **Date of Patent:** **** May 9, 2023**

(54) **TOY MICROSCOPE**

(71) Applicant: **Weijun Xu**, Shantou (CN)

(72) Inventor: **Weijun Xu**, Shantou (CN)

(**) Term: **15 Years**

(21) Appl. No.: **29/790,122**

(22) Filed: **Nov. 8, 2021**

(30) **Foreign Application Priority Data**

Jun. 9, 2021 (CN) 202130355856.1

(51) **LOC (14) Cl.** **21-01**

(52) **U.S. Cl.**
USPC **D21/528**; D21/529; D16/131

(58) **Field of Classification Search**
USPC D21/300, 324, 334, 338-341, 350, 360,
D21/365-367, 397-398, 468, 470, 483,
D21/485, 493-494, 500-503, 506-507,
D21/519, 522-525, 528-529, 532, 615;
D16/131
CPC A63H 2200/00; A63H 33/22; A63H 33/30;
A63H 33/3094; A63H 33/3072; A63H
33/425; A63H 33/42; G02B 21/002;
G02B 21/00; G02B 21/0004; G02B
21/0008; G02B 21/0012; G02B 21/0016;
G02B 21/0024; G02B 21/0088; G02B
21/0092; G02B 21/0096; G02B 21/0028;
G02B 21/0032

See application file for complete search history.

(56) **References Cited**

U.S. PATENT DOCUMENTS

1,837,993 A * 12/1931 Patterson G02B 21/00
359/368
2,214,367 A * 9/1940 Gallasch G02B 21/00
D16/131

4,190,313 A * 2/1980 Schultz G02B 21/0088
359/379
4,192,580 A * 3/1980 Meyer G02B 21/0008
359/801
D287,520 S * 12/1986 Yoke D21/579
(Continued)

OTHER PUBLICATIONS

Cai, Chunpeng, CN Design No. 306588798, published at Orbit, publication date Jun. 4, 2021. Site visited Aug. 27, 2022. Available from Internet. (Year: 2021).*

(Continued)

Primary Examiner — Kathleen L Jones

(74) *Attorney, Agent, or Firm* — Runit Ranjit Kanakia

(57) **CLAIM**

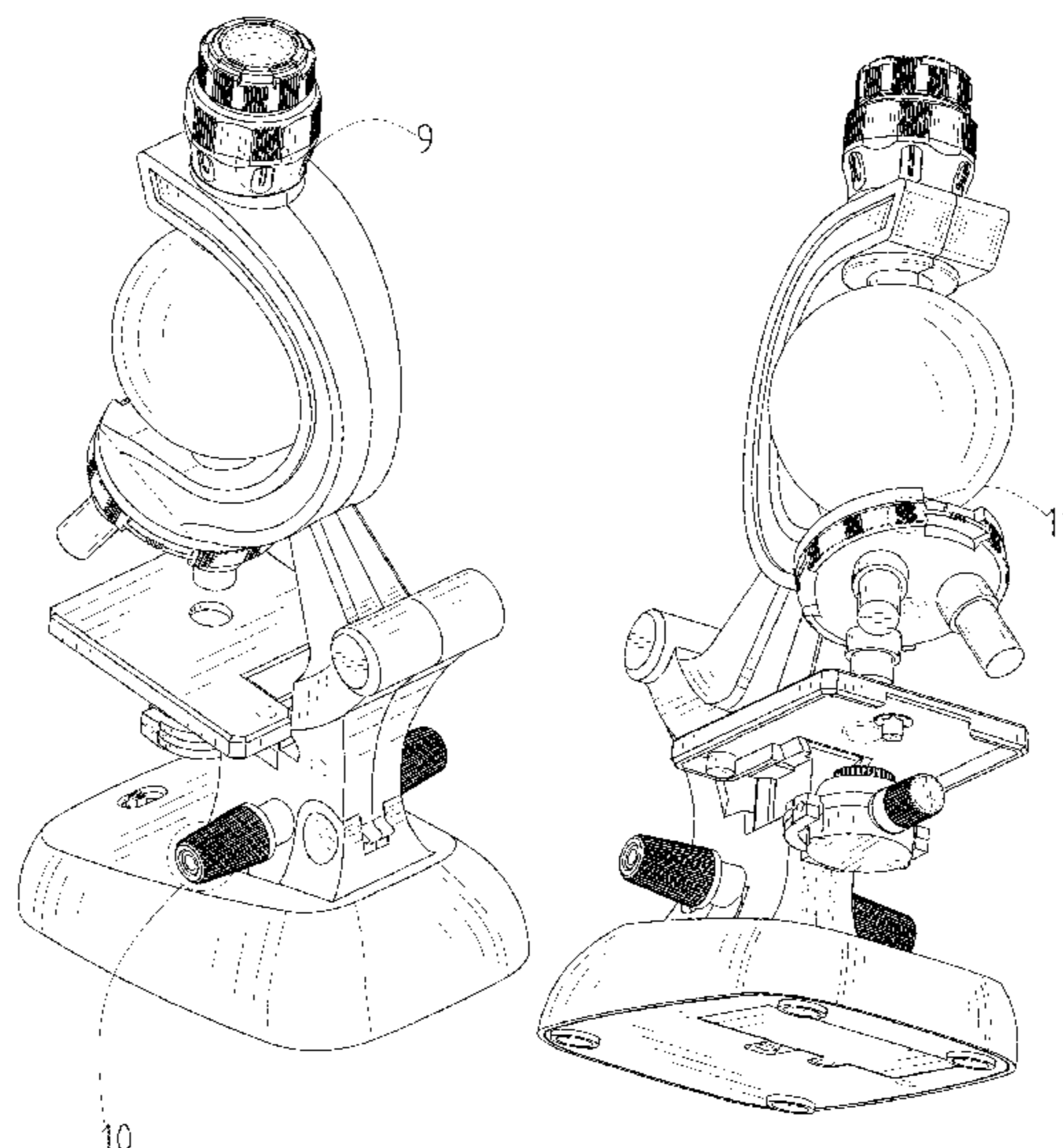
The ornamental design for a toy microscope, as shown and described.

DESCRIPTION

FIG. 1 is a first perspective view of a toy microscope showing my new design;
FIG. 2 is a second perspective view thereof;
FIG. 3 is a front view thereof;
FIG. 4 is a back view thereof;
FIG. 5 is a left side view thereof;
FIG. 6 is a right side view thereof;
FIG. 7 is a top view thereof;
FIG. 8 is a bottom view thereof;
FIG. 9 is an enlarged view of the selected portion of FIG. 1;
FIG. 10 is an enlarged view of the selected portion of FIG. 1; and,
FIG. 11 is an enlarged view of the selected portion of FIG. 2.

The evenly spaced broken lines shown in the drawings depict portions of the toy microscope that form no part of the claimed design; the unevenly spaced broken lines shown in FIGS. 1, 2, and 9-11 indicate outer limits of enlarged views and form no part of the claimed design.

1 Claim, 11 Drawing Sheets



(56)

References Cited

U.S. PATENT DOCUMENTS

D301,498 S * 6/1989 Nuttal D21/523
 D401,976 S * 12/1998 Wong D21/483
 D401,977 S * 12/1998 Wong D21/483
 D436,972 S * 1/2001 Tai D16/131
 D451,524 S * 12/2001 Morris D15/135
 D460,128 S * 7/2002 Rosen D21/483
 6,714,348 B2 * 3/2004 Dunn G02B 21/0008
 359/368
 D509,232 S * 9/2005 Yeung D16/131
 D518,840 S * 4/2006 Copeland D16/131
 7,262,906 B2 * 8/2007 Gilbert G02B 21/24
 359/368
 D566,147 S 4/2008 Chan
 D607,031 S * 12/2009 Hoelbl D16/131
 D633,539 S 3/2011 Kung
 D681,087 S * 4/2013 Kung D16/131
 D748,176 S 1/2016 Hofmann et al.

D754,229 S * 4/2016 Aschenbach D16/131
 D956,119 S * 6/2022 Zhang D16/131
 2018/0143416 A1 * 5/2018 Cho G02B 21/242

OTHER PUBLICATIONS

Xu, Weijun, CN Design No. 304607564, published at Orbit, publication date May 1, 2018. Site visited Aug. 27, 2022. Available from Internet. (Year: 2018).*

Microscope for Kids, Dual Light Microscope Science Kit, posted at Amazon, posting date Apr. 6, 2021. Site visited Aug. 27, 2022. URL: <<https://www.amazon.com/Microscope-Beginners-Educational-80X-1200X-Magnification/dp/B091T84GJZ/>> (Year: 2021).*

Artenjoyfine Science Microscope Kit, posted at Amazon, posting date Nov. 27, 2021. Site visited Aug. 27, 2022. URL: <<https://www.amazon.com/Artenjoyfine-Microscope-Magnification-Light%E2%8C%8CGlobe%E2%8C%8CSpeciman-Educational/dp/B09MNCN5Z8/>> (Year: 2021).*

* cited by examiner

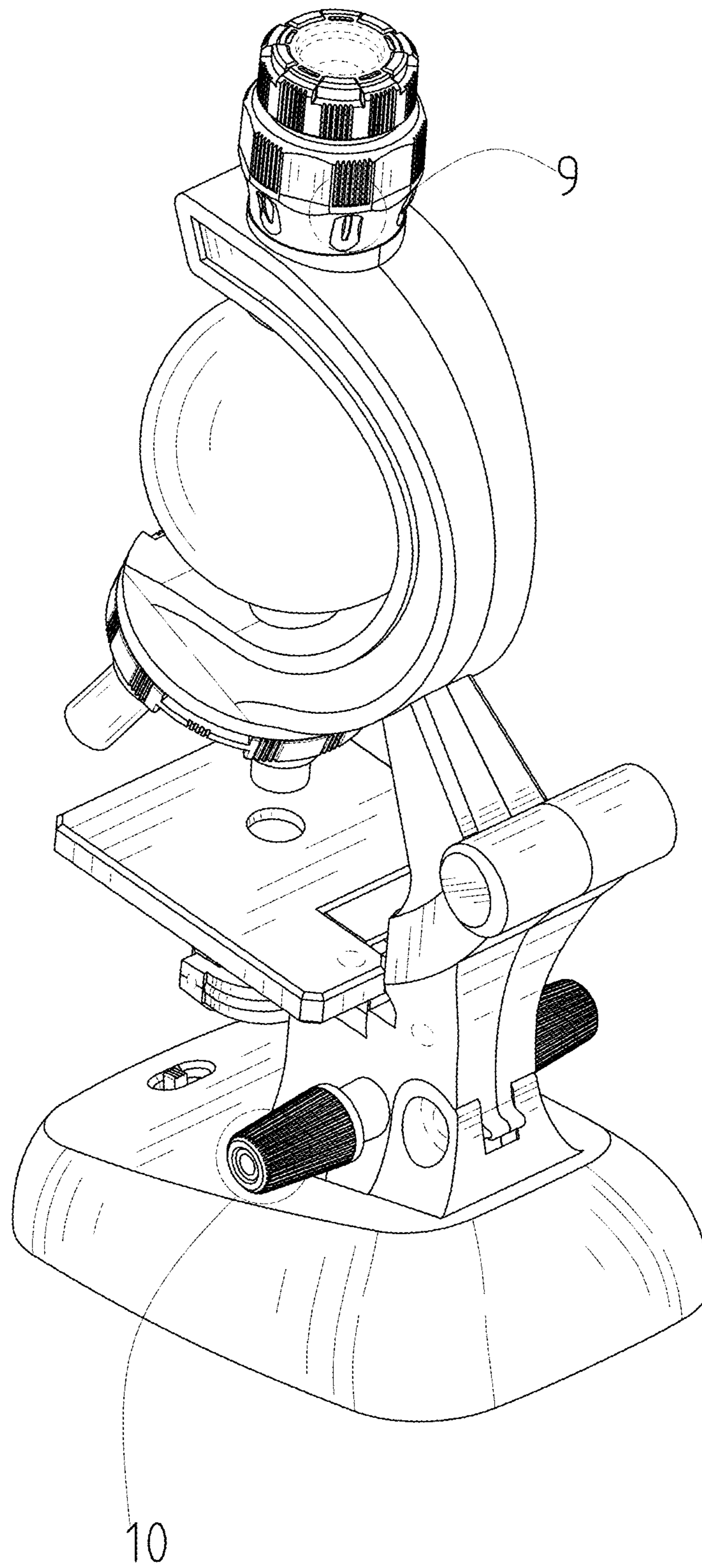


FIG. 1

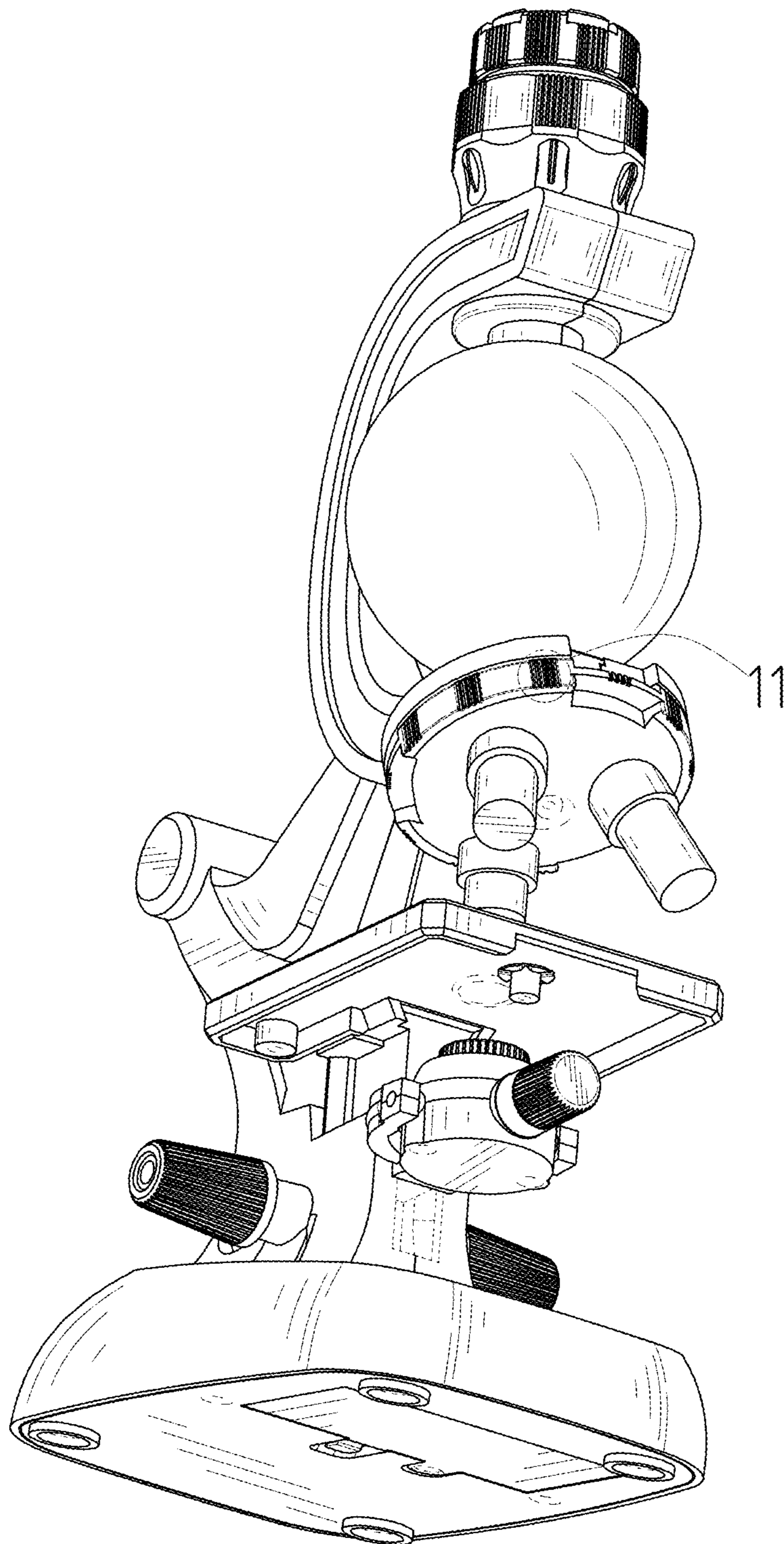


FIG. 2

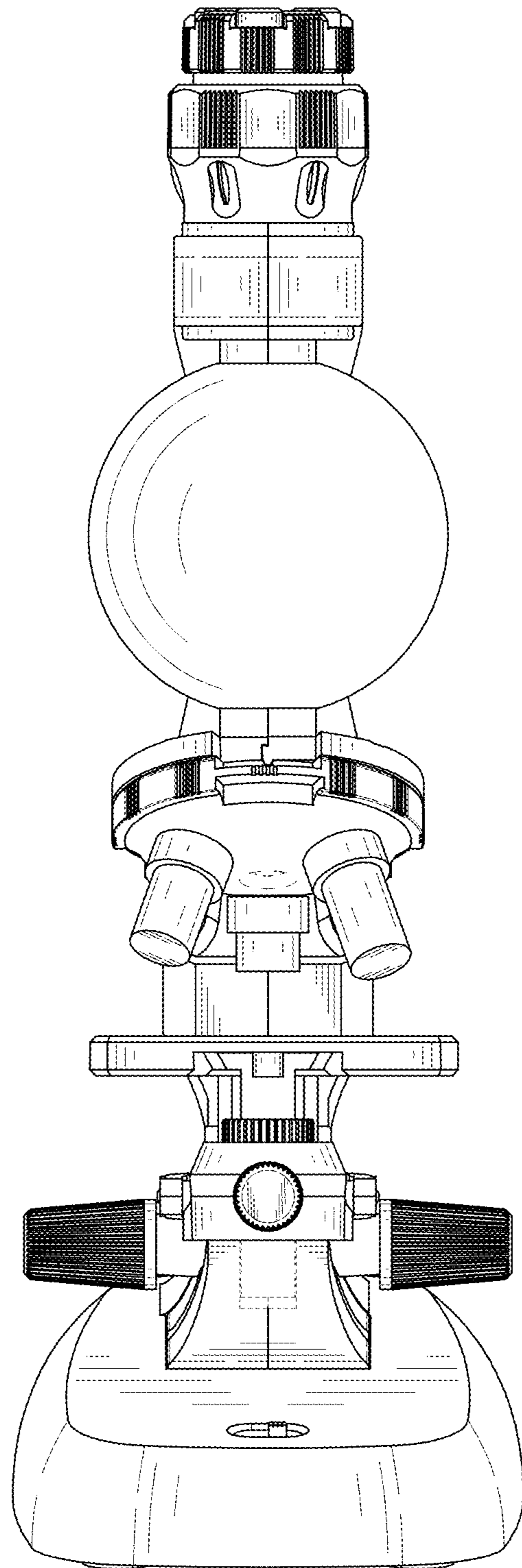


FIG. 3

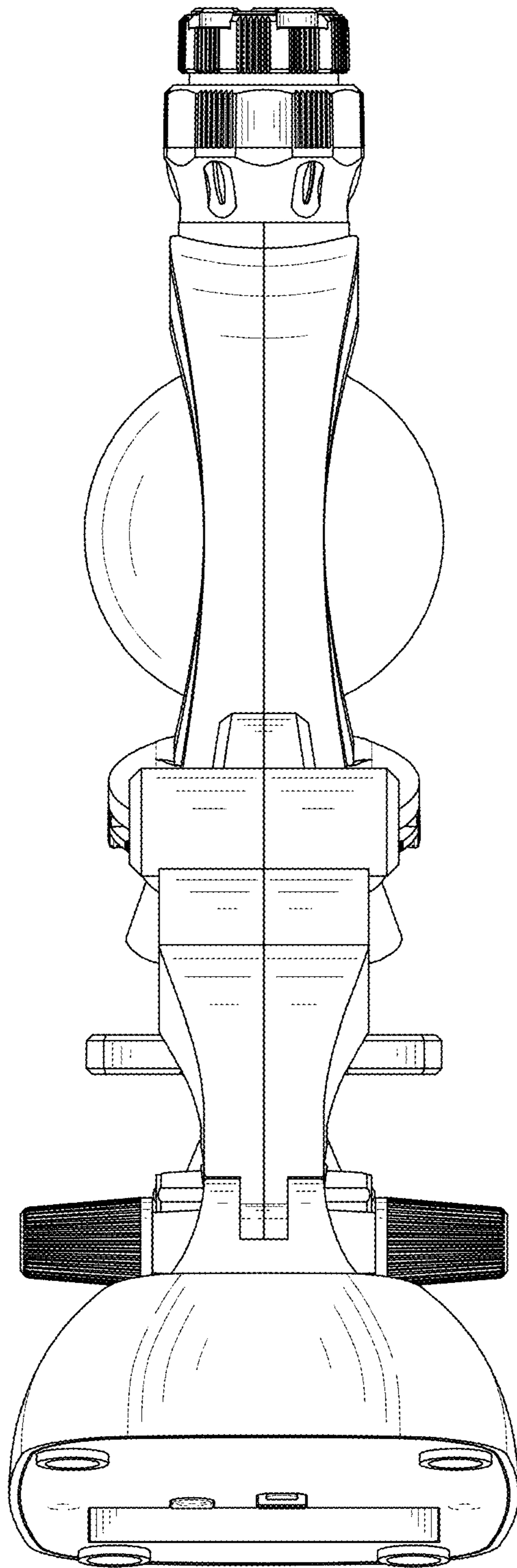


FIG. 4

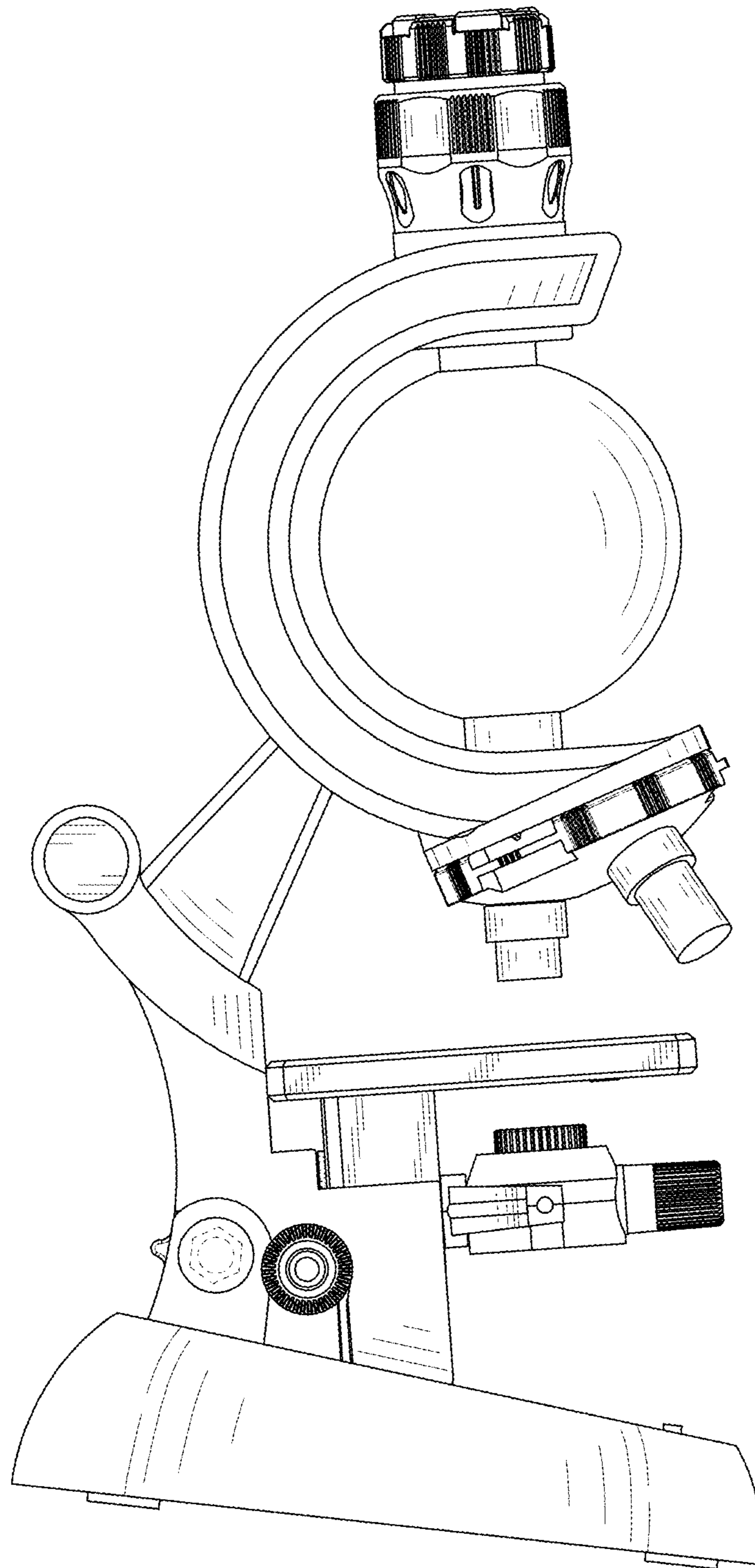


FIG. 5

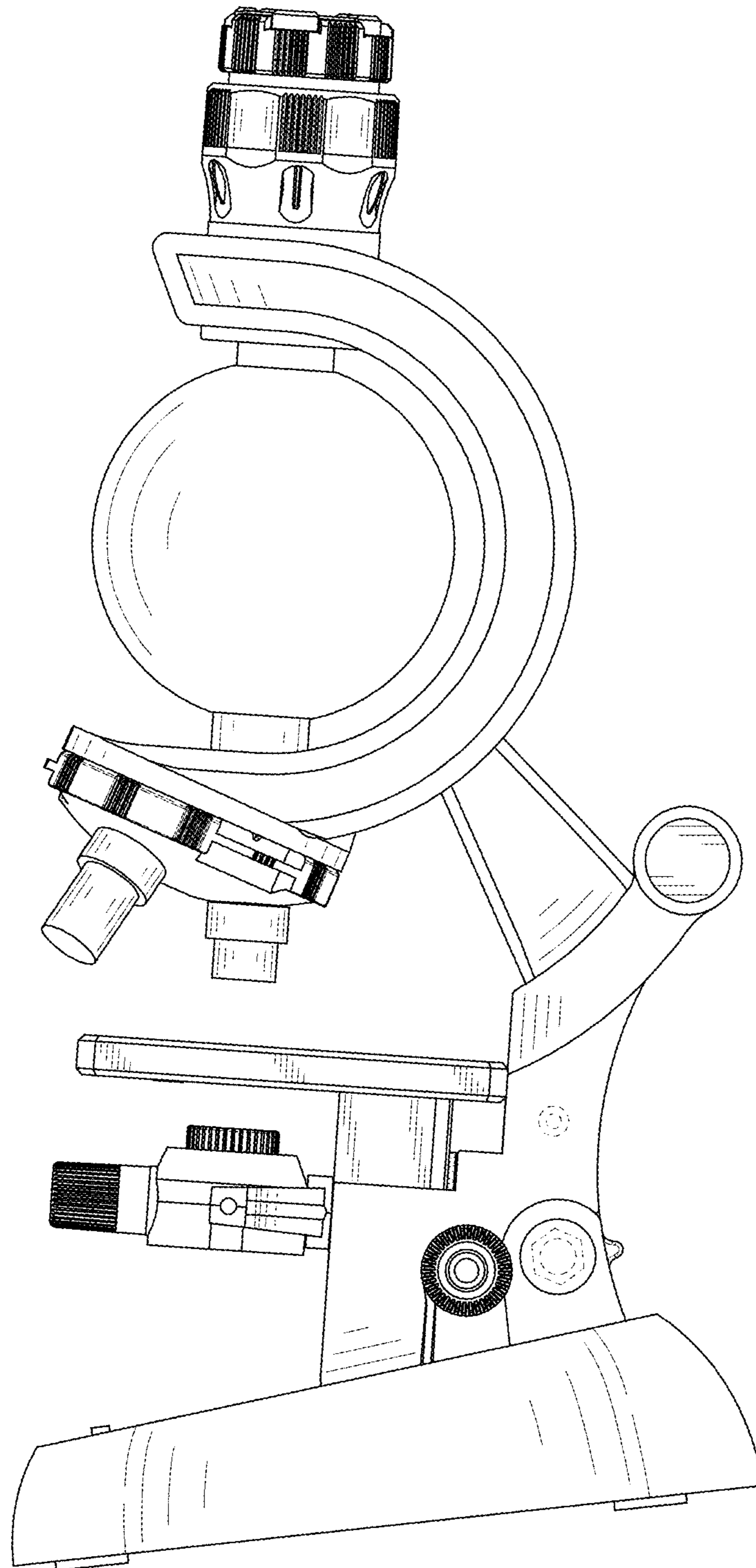


FIG. 6

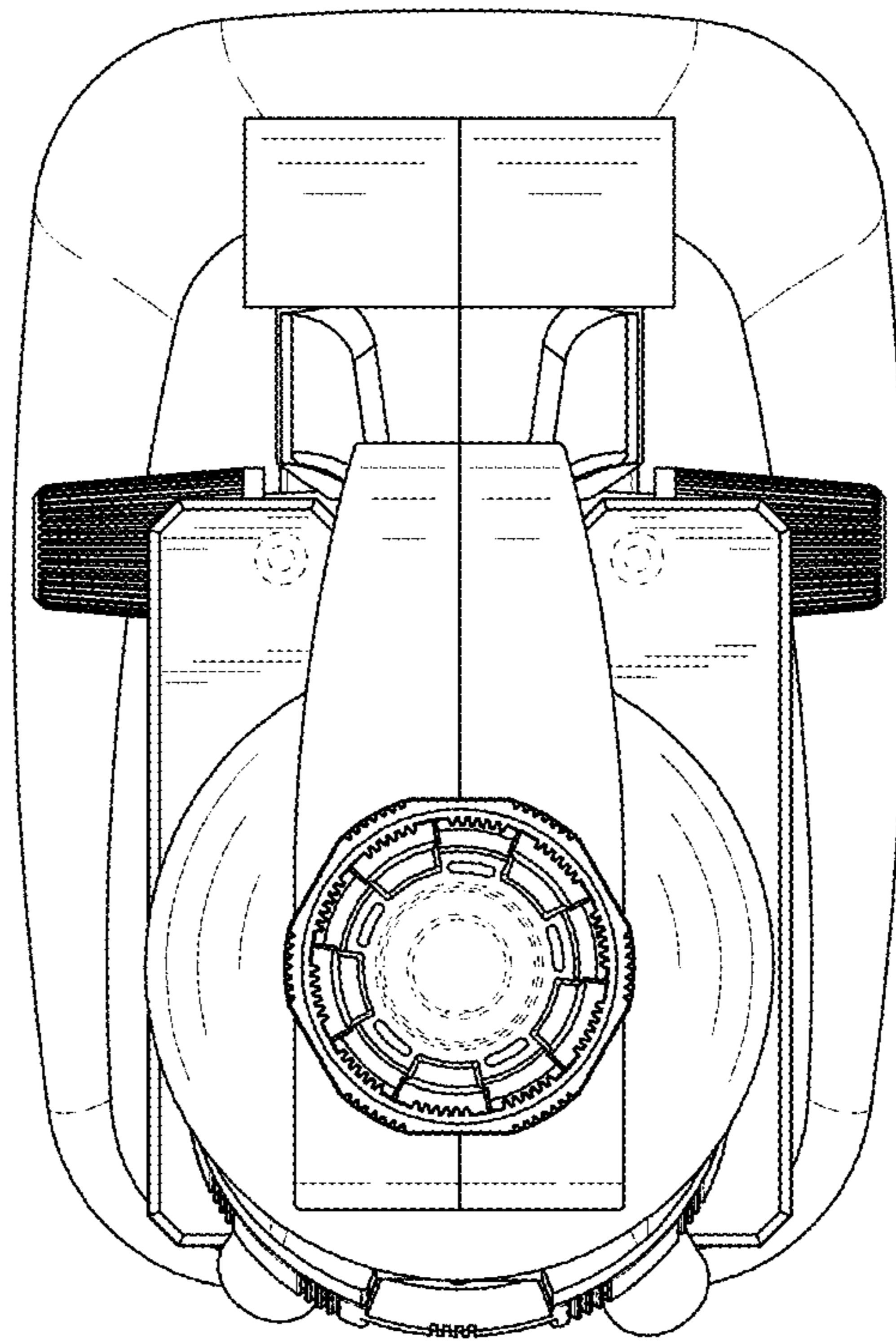


FIG. 7

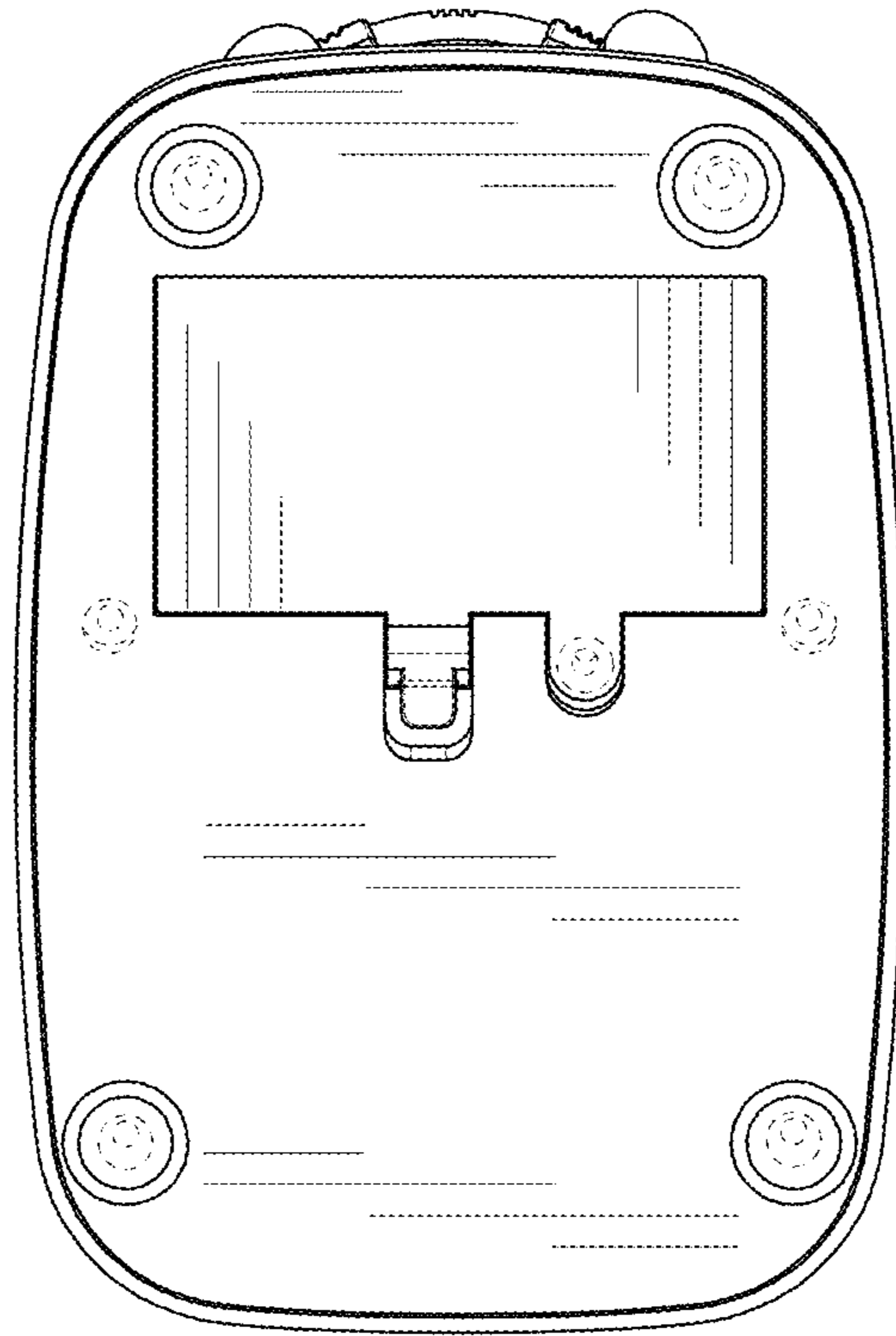


FIG. 8

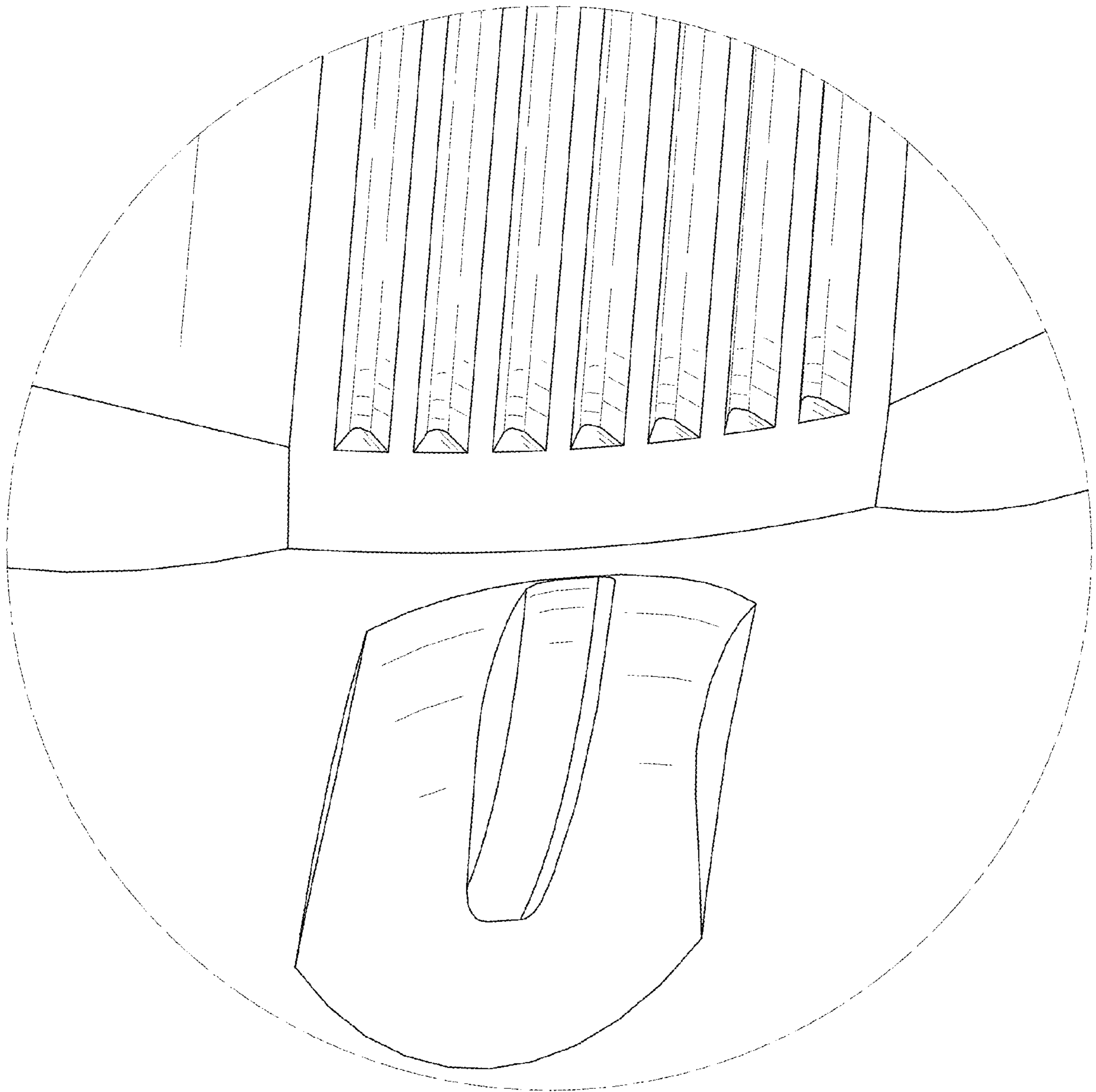


FIG. 9

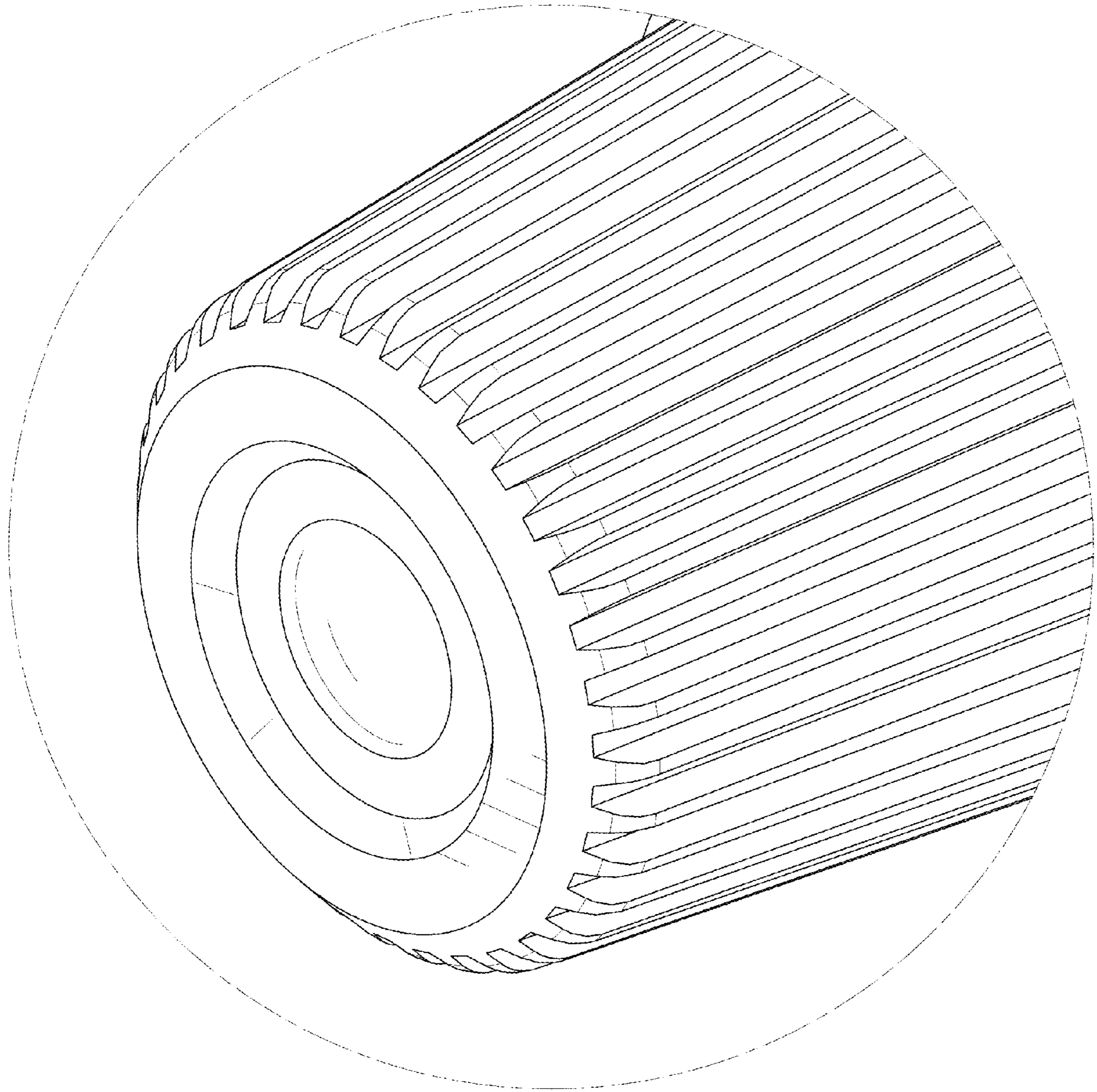


FIG. 10

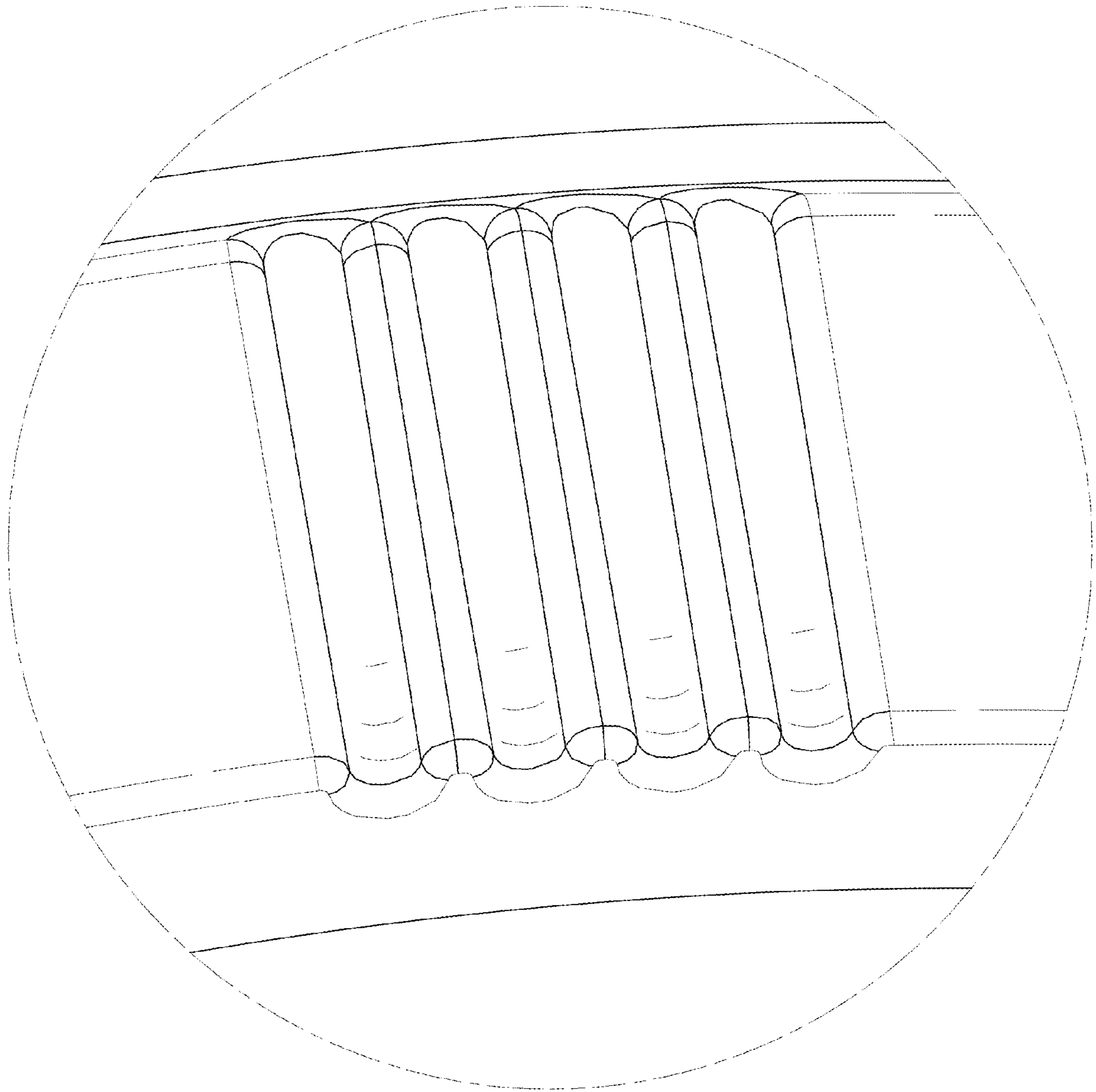


FIG. 11