



US00D985682S

(12) **United States Design Patent**  
**Erwin et al.**

(10) **Patent No.:** **US D985,682 S**  
(45) **Date of Patent:** **\*\* May 9, 2023**

(54) **TOY CONSTRUCTION PANEL**  
(71) Applicant: **Everplay Labs Limited**, London (GB)  
(72) Inventors: **Anthony Mariner Erwin**, Auckland (NZ); **Craig Ronald Spencer**, London (GB)  
(73) Assignee: **Everplay Labs Limited**  
(\*\*) Term: **15 Years**  
(21) Appl. No.: **35/512,853**

D308,274 S \* 5/1990 Gosselin ..... D3/314  
6,464,553 B2 \* 10/2002 Huang ..... A63H 33/062  
446/104  
D487,272 S \* 3/2004 Korpai ..... D6/300  
D487,465 S \* 3/2004 Korpai ..... D6/300  
D488,160 S \* 4/2004 Korpai ..... D6/300  
D488,161 S \* 4/2004 Korpai ..... D6/300  
D550,270 S \* 9/2007 Astill ..... D16/241  
D614,250 S \* 4/2010 Frederiksen ..... D21/501  
D631,104 S \* 1/2011 With ..... D21/485  
D632,346 S \* 2/2011 Hardstaff ..... G09F 1/12  
D21/501  
8,458,863 B2 \* 6/2013 Hunts ..... H01F 7/0242  
446/92

(Continued)

(22) Filed: **Aug. 4, 2021**

FOREIGN PATENT DOCUMENTS

(80) **Hague Agreement Data**

Int. Filing Date: **Aug. 4, 2021**  
Int. Reg. No.: **DM/216987**  
Int. Reg. Date: **Aug. 4, 2021**  
Int. Reg. Pub. Date: **Nov. 5, 2021**

CN 111803973 10/2020  
CN 111803973 A 10/2020

*Primary Examiner* — Cynthia M. Chin  
(74) *Attorney, Agent, or Firm* — Taylor English Duma LLP

(30) **Foreign Application Priority Data**

Feb. 4, 2021 (GB) ..... 6117064  
Feb. 4, 2021 (GB) ..... 6117065  
Feb. 4, 2021 (GB) ..... 6117066  
Feb. 4, 2021 (GB) ..... 6117067

(57) **CLAIM**

We claim the ornamental design for a toy construction panel, as shown and described.

(51) **LOC (14) Cl.** ..... **21-01**

(52) **U.S. Cl.**  
USPC ..... **D21/491**

**DESCRIPTION**

(58) **Field of Classification Search**  
USPC ..... D21/484–505  
CPC ..... A63H 33/04; A63H 33/044; A63H 33/06;  
A63H 33/062; A63H 33/086; A63H  
33/088; A63H 33/10; A63H 33/101;  
A63H 33/108; A63H 33/12  
See application file for complete search history.

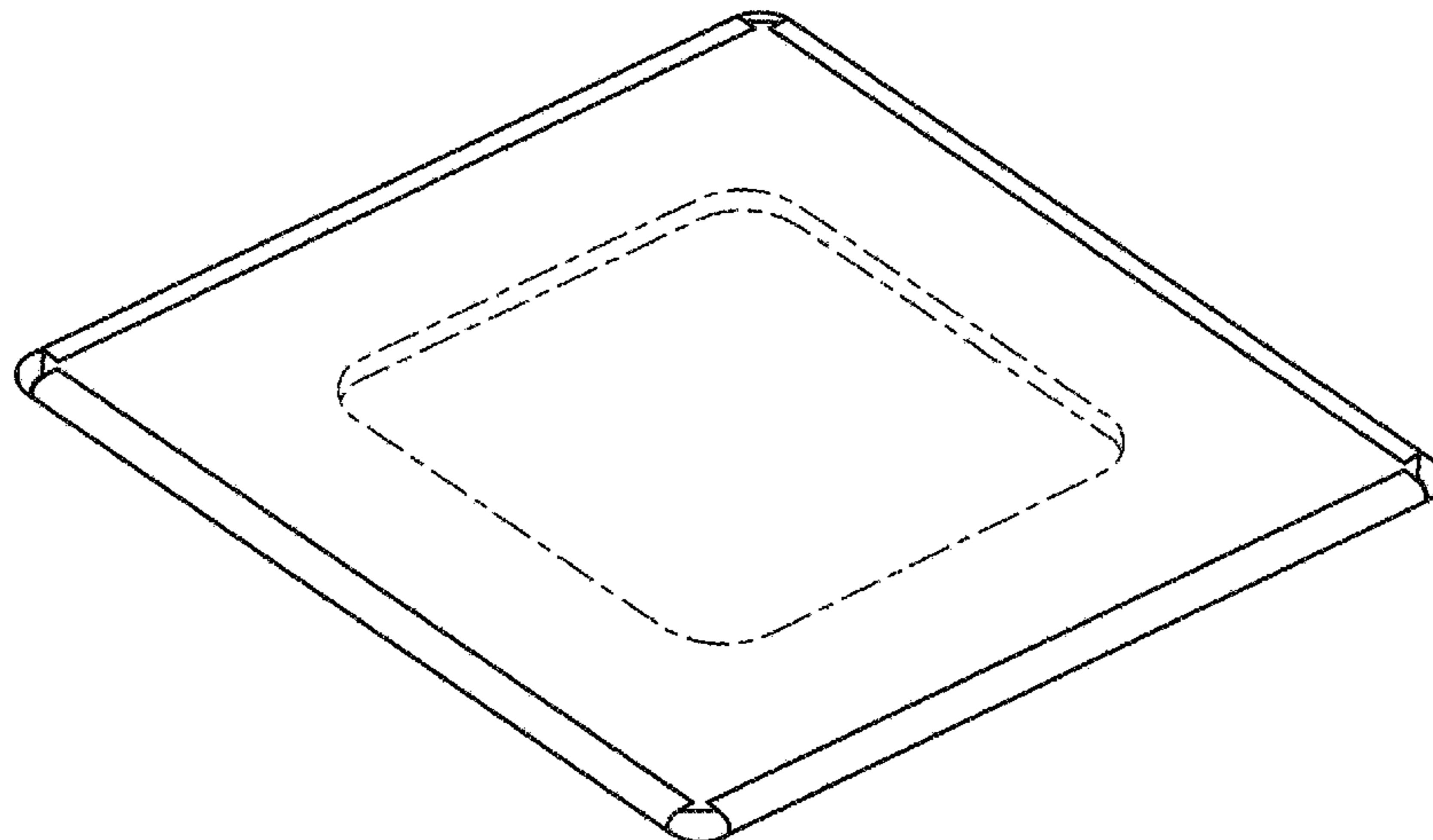
FIG. 2.1 is a top perspective view of the claimed design.  
FIG. 2.2 is a top plan view thereof.  
FIG. 2.3 is a bottom plan view thereof.  
FIG. 2.4 is a right side elevation view thereof.  
FIG. 2.5 is a left side elevation view thereof.  
FIG. 2.6 is a front elevation view thereof.  
FIG. 2.7 is a rear elevation view thereof.  
Those features of the toy construction panel shown in broken lines well as those features of the toy construction panel between the broken lines or inside a window formed by the broken lines form no part of the claimed design.

(56) **References Cited**

U.S. PATENT DOCUMENTS

D226,120 S \* 1/1973 Ogsbury ..... D21/491  
D284,611 S \* 7/1986 Cotney ..... D21/485

**1 Claim, 4 Drawing Sheets**



(56)

**References Cited**

U.S. PATENT DOCUMENTS

9,022,829 B2 \* 5/2015 Rosen ..... A63H 33/046  
446/131  
D884,802 S \* 5/2020 Kelley ..... D21/491  
D900,246 S \* 10/2020 Kelley ..... D21/491  
2002/0098774 A1 \* 7/2002 Huang ..... A63H 33/04  
434/167  
2010/0192437 A1 \* 8/2010 Fallander ..... G09F 1/12  
40/790  
2016/0074766 A1 \* 3/2016 Choi ..... A63H 33/046  
446/92  
2020/0246715 A1 8/2020 Bensussan et al.

\* cited by examiner

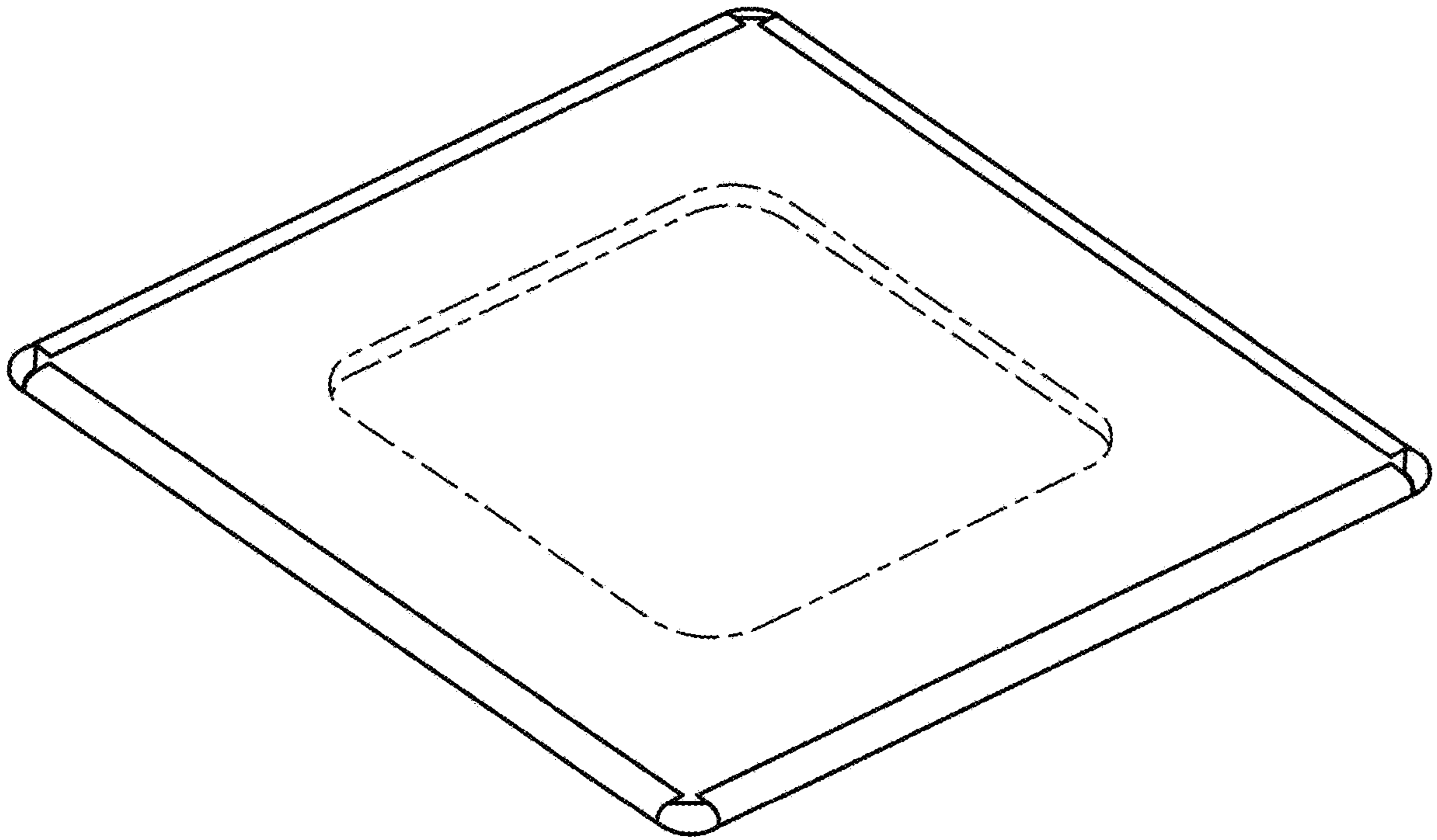


FIG. 2.1

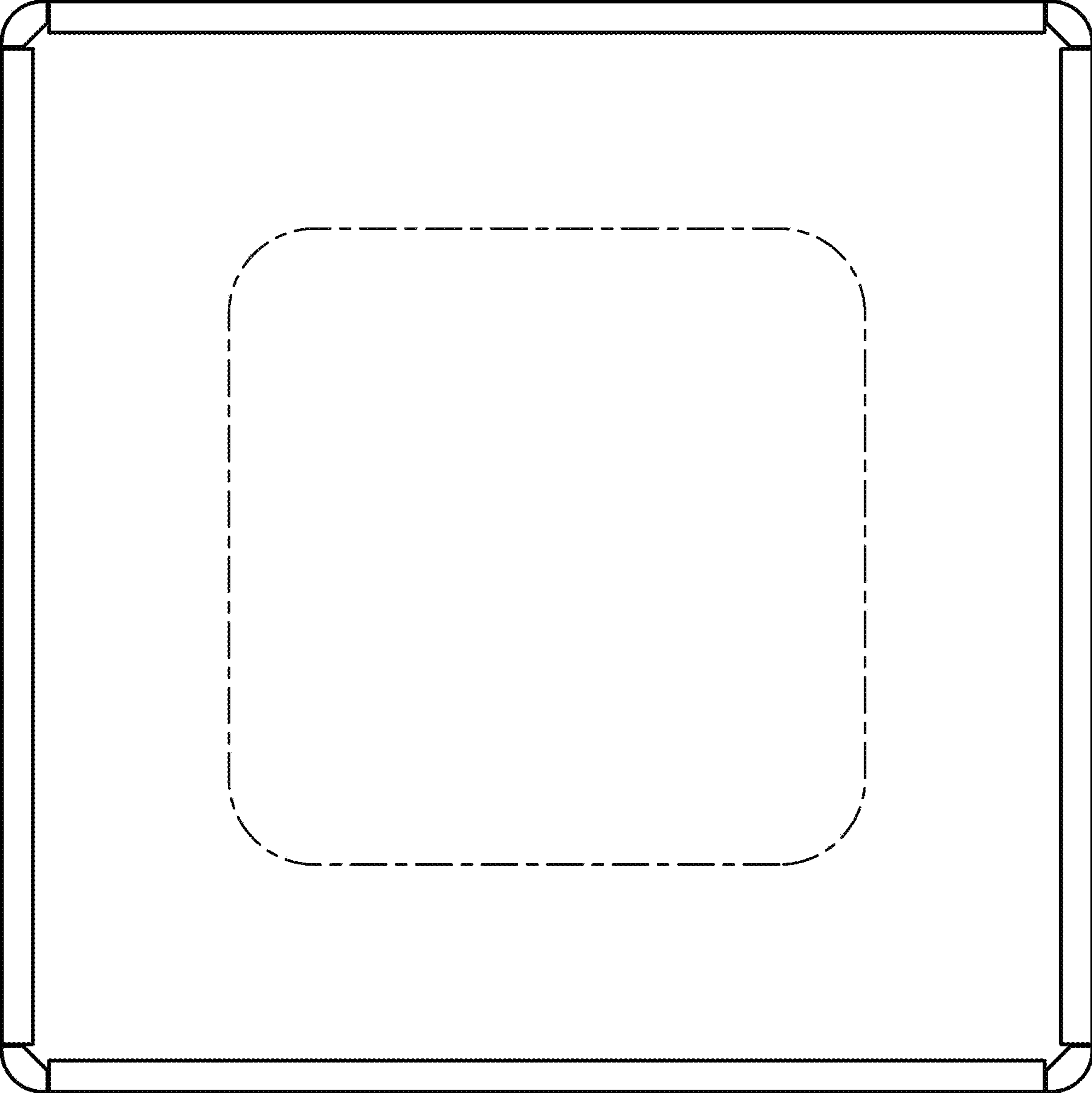


FIG. 2.2

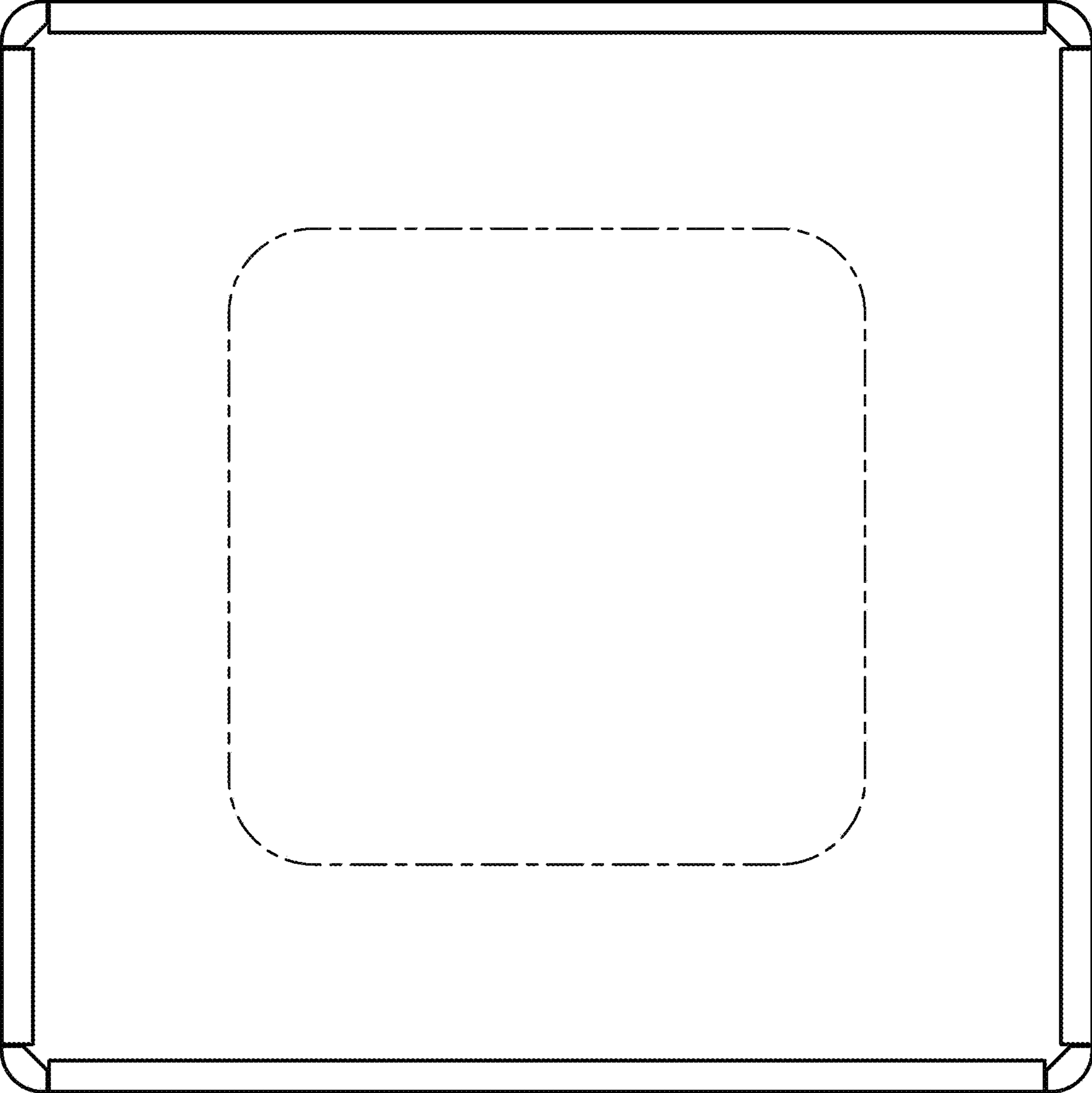


FIG. 2.3



FIG. 2.4



FIG. 2.5



FIG. 2.6



FIG. 2.7