



US00D985681S

(12) **United States Design Patent**
Gorman

(10) **Patent No.:** **US D985,681 S**
(45) **Date of Patent:** **** May 9, 2023**

- (54) **BLOCK**
- (71) Applicant: **Tucker Gorman**, Boulder Creek, CA (US)
- (72) Inventor: **Tucker Gorman**, Boulder Creek, CA (US)
- (**) Term: **15 Years**
- (21) Appl. No.: **29/858,958**
- (22) Filed: **Nov. 5, 2022**

- 2,688,467 A * 9/1954 Leatzow F25D 3/00
165/47
- 2,990,640 A * 7/1961 Burnbaum A44C 11/002
446/120
- 3,139,698 A * 7/1964 Arnold A63H 33/084
446/124

(Continued)

FOREIGN PATENT DOCUMENTS

- CN 303950981 11/2016
- CN 304706260 6/2018

(Continued)

OTHER PUBLICATIONS

Cullman 18.5" Tall Drum End Table, Reviewed and available online as early as Aug. 17, 2022 [online], [site visited Mar. 8, 2023]. Available from Internet: <URL:https://www.wayfair.com/furniture/pdp/allmodern-cullman-accent-table-w008358406.html> (Year: 2022).*

(Continued)

Primary Examiner — Cynthia M. Chin
(74) *Attorney, Agent, or Firm* — Richard A. Baker, Jr.

(57) **CLAIM**

The ornamental design for a block, as shown and described.

DESCRIPTION

FIG. 1 shows a perspective view of a first embodiment of a block showing our new design.
FIG. 2 shows a front view of the first embodiment of the block.
FIG. 3 shows a top view of the first embodiment of the block.
FIG. 4 shows a perspective view of a second embodiment of the block.
FIG. 5 shows a front view of the second embodiment of the block; and,
FIG. 6 shows a top view of the second embodiment of the block.

1 Claim, 2 Drawing Sheets

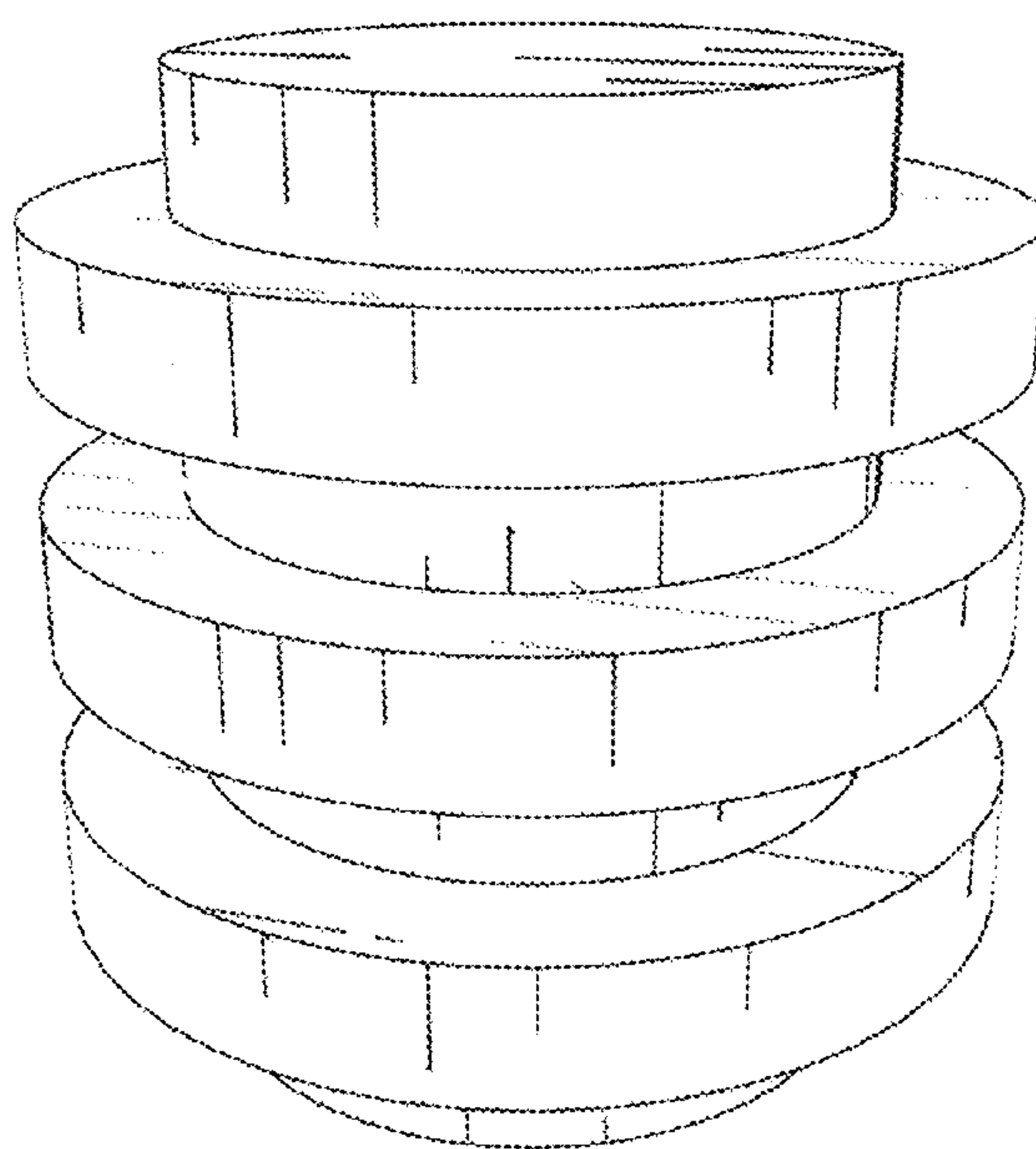
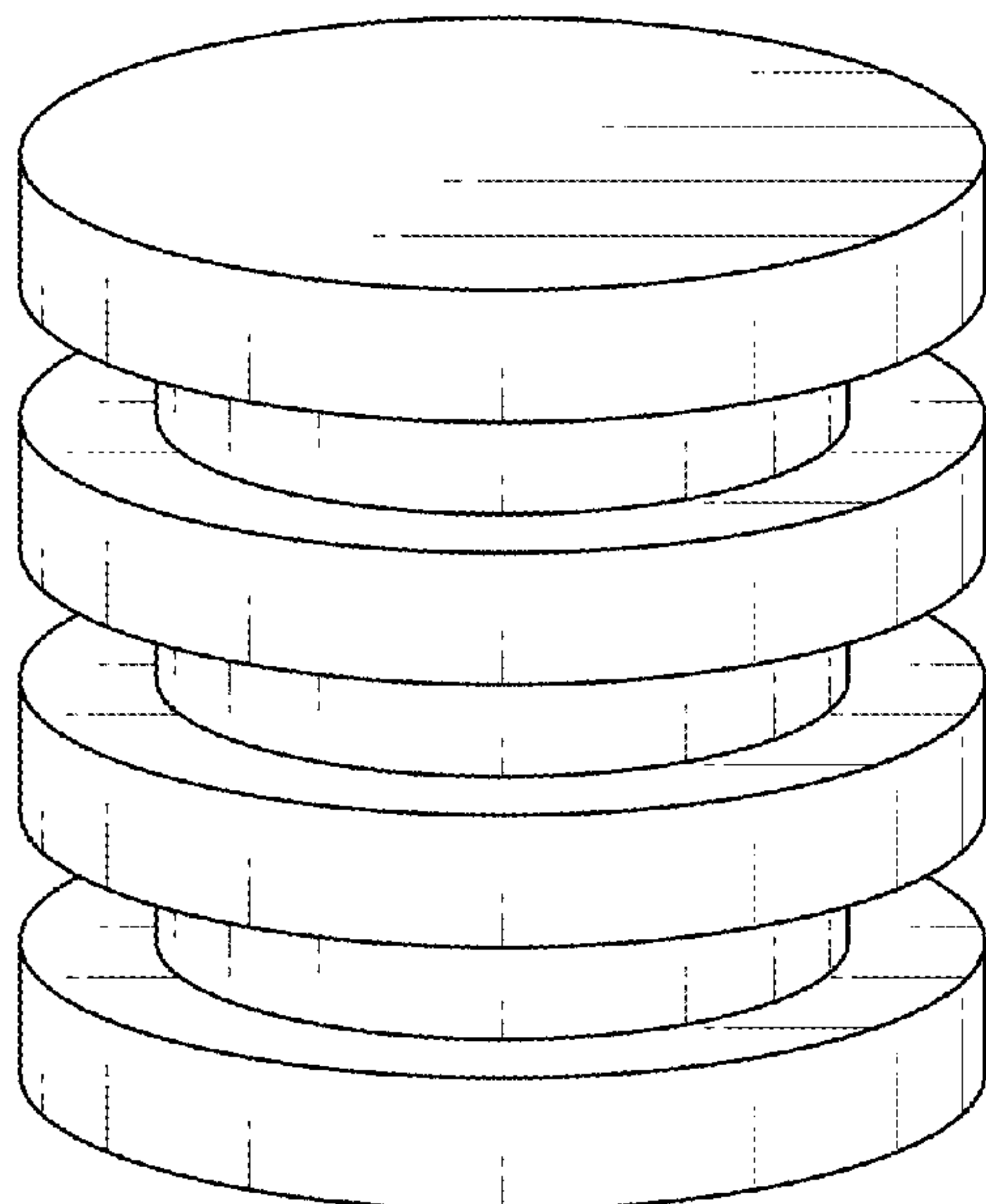
Related U.S. Application Data

- (62) Division of application No. 29/777,178, filed on Apr. 3, 2021, now Pat. No. Des. 974,491.
- (51) **LOC (14) Cl.** **21-01**
- (52) **U.S. Cl.**
USPC **D21/488**
- (58) **Field of Classification Search**
USPC D21/468, 478, 479, 484–505
CPC A63H 33/04; A63H 33/06; A63H 33/062;
A63H 33/08; A63H 33/082; A63H
33/084; A63H 33/086; A63H 33/088
See application file for complete search history.

(56) **References Cited**

U.S. PATENT DOCUMENTS

- D4,058 S 5/1870 Ellis
- 535,535 A * 3/1895 Gardner A63F 9/20
D21/386
- 2,132,757 A 10/1938 Paulson
- 2,278,327 A 3/1942 Ludwig et al.
- D132,606 S * 6/1942 Schlage D8/312
- 2,674,827 A * 4/1954 Schaper A63H 33/06
446/126



(56)

References Cited

U.S. PATENT DOCUMENTS

4,607,685 A * 8/1986 Mitchell, Jr. H01L 23/4006
165/185
4,826,171 A * 5/1989 Morse A63F 9/12
273/160
5,322,467 A * 6/1994 Barzani A63H 33/06
446/125
D354,995 S * 1/1995 Barzani A63H 33/08
D21/498
D357,715 S * 4/1995 Barzani A63F 9/12
D21/498
D359,996 S * 7/1995 Barzani A63F 9/12
D21/498
D367,504 S * 2/1996 Barzani A44C 11/002
D21/498
5,782,667 A * 7/1998 Luby A63F 9/1288
446/85
D400,620 S * 11/1998 Barton, Jr. A63F 9/12
D21/713
6,109,999 A * 8/2000 Kuo A63B 19/00
446/236
6,655,685 B2 * 12/2003 Tsai A63F 9/12
273/156
6,676,481 B2 * 1/2004 Klaus A63H 33/006
446/268
D505,981 S * 6/2005 Lin A63H 33/06
D21/493
D603,502 S * 11/2009 Petersen D24/147
D650,866 S * 12/2011 Clahsen A63H 33/006
D21/484
D699,792 S 2/2014 Hwang
D769,377 S * 10/2016 Wolff D21/468
9,492,734 B2 * 11/2016 Boulding A63F 9/12
9,522,342 B2 12/2016 Jazouli
9,605,911 B1 * 3/2017 Kramer, Jr. F25D 3/00
D813,319 S 3/2018 Morris
D815,278 S * 4/2018 Pak D24/130
D836,166 S 12/2018 Peng
10,213,680 B2 * 2/2019 Boulding A63F 9/12
2008/0299868 A1 * 12/2008 Chungpaiboon A63H 33/08
446/69

FOREIGN PATENT DOCUMENTS

CN 304763576 8/2018
CN 304763578 8/2018

CN 304763579 8/2018
CN 304839846 10/2018
KR 30-2017-0020750 12/2017

OTHER PUBLICATIONS

“Halsam Products Co 1917-1970”, Halsam Products, web page downloaded from <http://halsam.com/> on Feb. 20, 2021.
“The Froebel Blocks”, Froebel Blocks, web page downloaded from <http://froebelblocks.com/> on Feb. 20, 2021.
“50 Un-Blocks”, Imagine Toys, web page downloaded from <https://www.imaginetoy.com/50-Un-Blocks> on Feb. 20, 2021.
“Speks Unblocks Black Set of 4 Unbelievably Magnetic Stress Relief Blocks for Kids and Adults”, Amazon.com, web page downloaded from <https://www.amazon.com/Speks-Unblocks-Unbelievably-Magnetic-Stress/dp/B07TDTGTPJ> on Feb. 20, 2021.
“Lock Blox 96/pkg”, Roylco, web page downloaded from https://roylco.com/shop/lock-blox-96-pkg/?gclid=Cj0KCQjw0pfzBRCOARIsANi0g0t1J_rZ9KAfVfrq1vMGa2fl emzB7KbobW09izuXm3MTJI-OKMboOMaAgayEALw_wCB on Feb. 20, 2021.
“Michley Kids Builders Blocks Play Set for Child”, Amazon.com, web page downloaded from <https://www.amazon.com/MICHLEY-Interlocking-Builders-Blocks-Child/dp/B01B2C93MU> on Feb. 20, 2021.
“Little Tikes Big Waffle Block Set—18 pieces”, Amazon.com, web page downloaded from https://www.amazon.com/Little-Tikes-Big-Waffle-Block/dp/B01CV08O36/ref=sr_1_2?dchild=1&keywords=waffle+blocks&qid=1613842278&sr=8-2 on Feb. 20, 2021.
“Tactile Blocks 49 Pcs”, Oriental Trading, website downloaded from https://www.orientaltrading.com/tactile-blocks-49-pcs-a2-13831735.fltr?BP=PS544&ms=search&source=bing&cm_mmc=BingPLA_-361528488_-1185274422456892_-13831735&msslid=24aef7f5d98514c3a77a97c490b5accf on Feb. 20, 2021.
“LuxBlox”, LuxBlox, web page downloaded from <https://www.luxblox.com/> on Feb. 20, 2021.
“Atwood Toys Box Lox 80 pcs Creative Cardboard Building kit—Construction Toys for Girls and Boys Educational Stem Building Alternative to Building Blocks Toy (Blue)”, amazon.com, web page downloaded from <https://www.amazon.com/Atwood-Toys-Creative-Cardboard-Building/dp/B07WHTTR2F> on Feb. 20, 2021.
“Guidecraft Interlox Squares—96 Piece Set Interlocking Construction Toy, Creative Building—Educational Stem Construction Toy for Kids”, Amazon.com, web page downloaded from <https://www.amazon.com/Guidecraft-Interlox-Squares-Interlocking-Construction/dp/B004C8I0B2> on Feb. 20, 2021.
“Bristle Blocks Catalog 2021”, Maison Battat Inc., 2021.

* cited by examiner

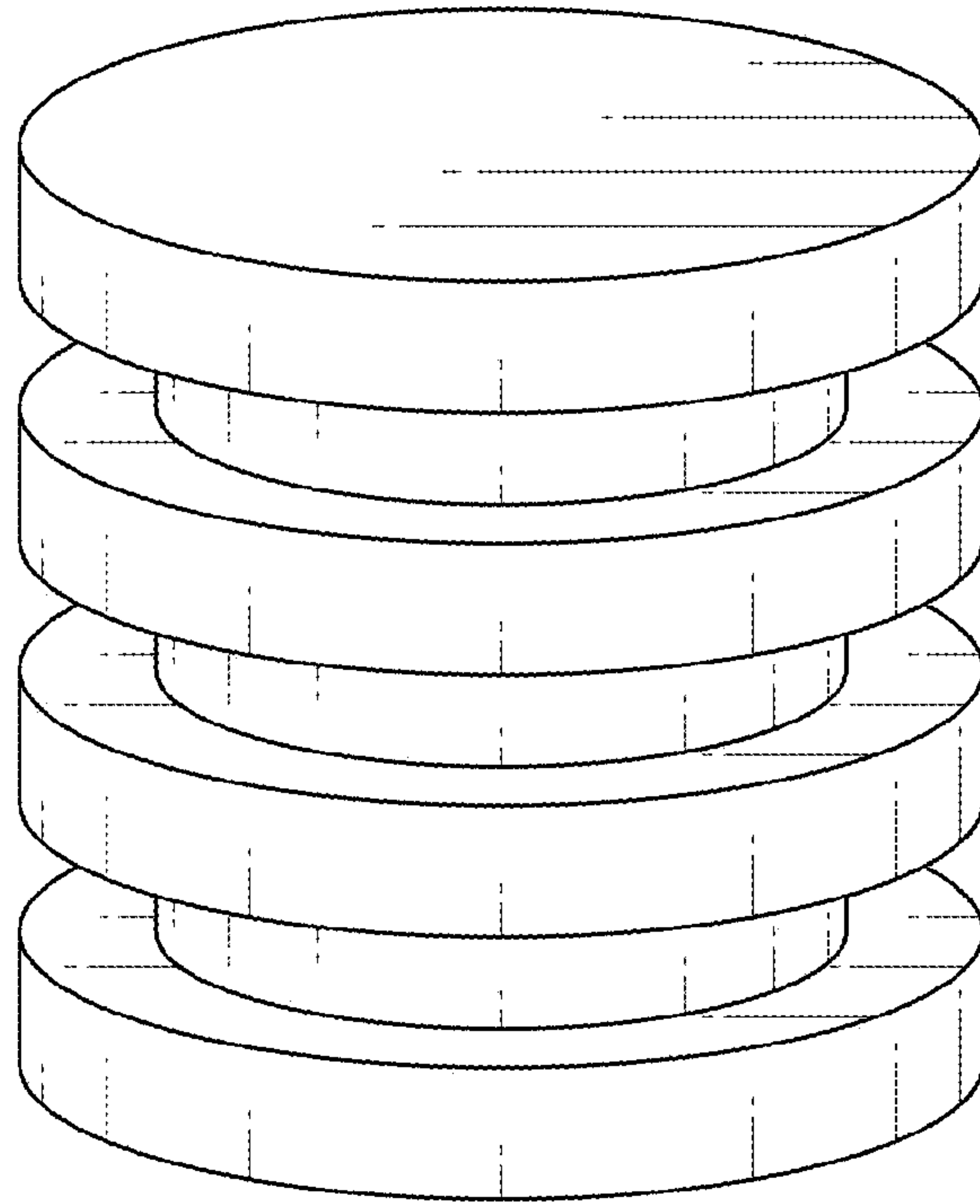


FIG. 1

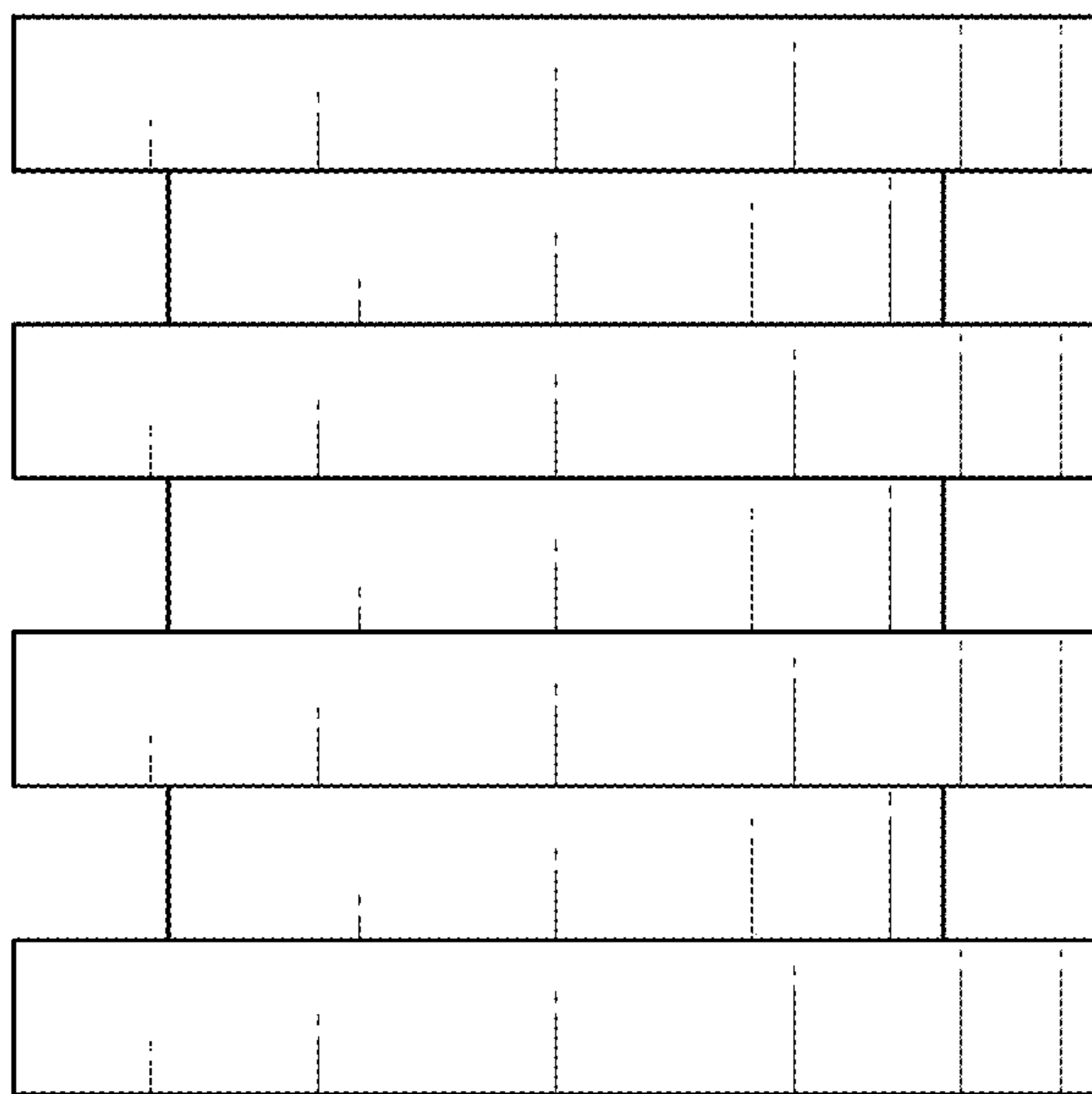


FIG. 2

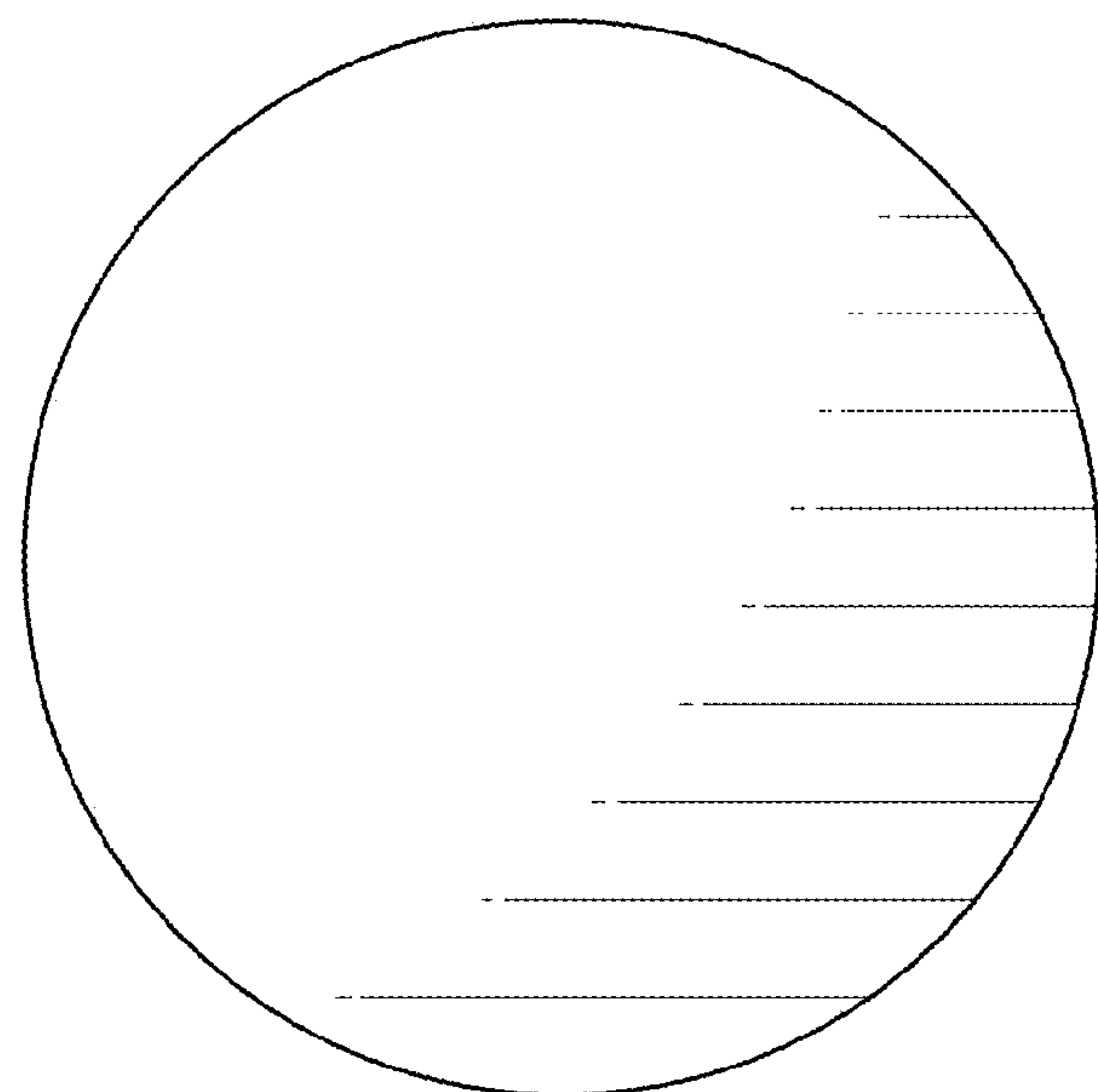


FIG. 3

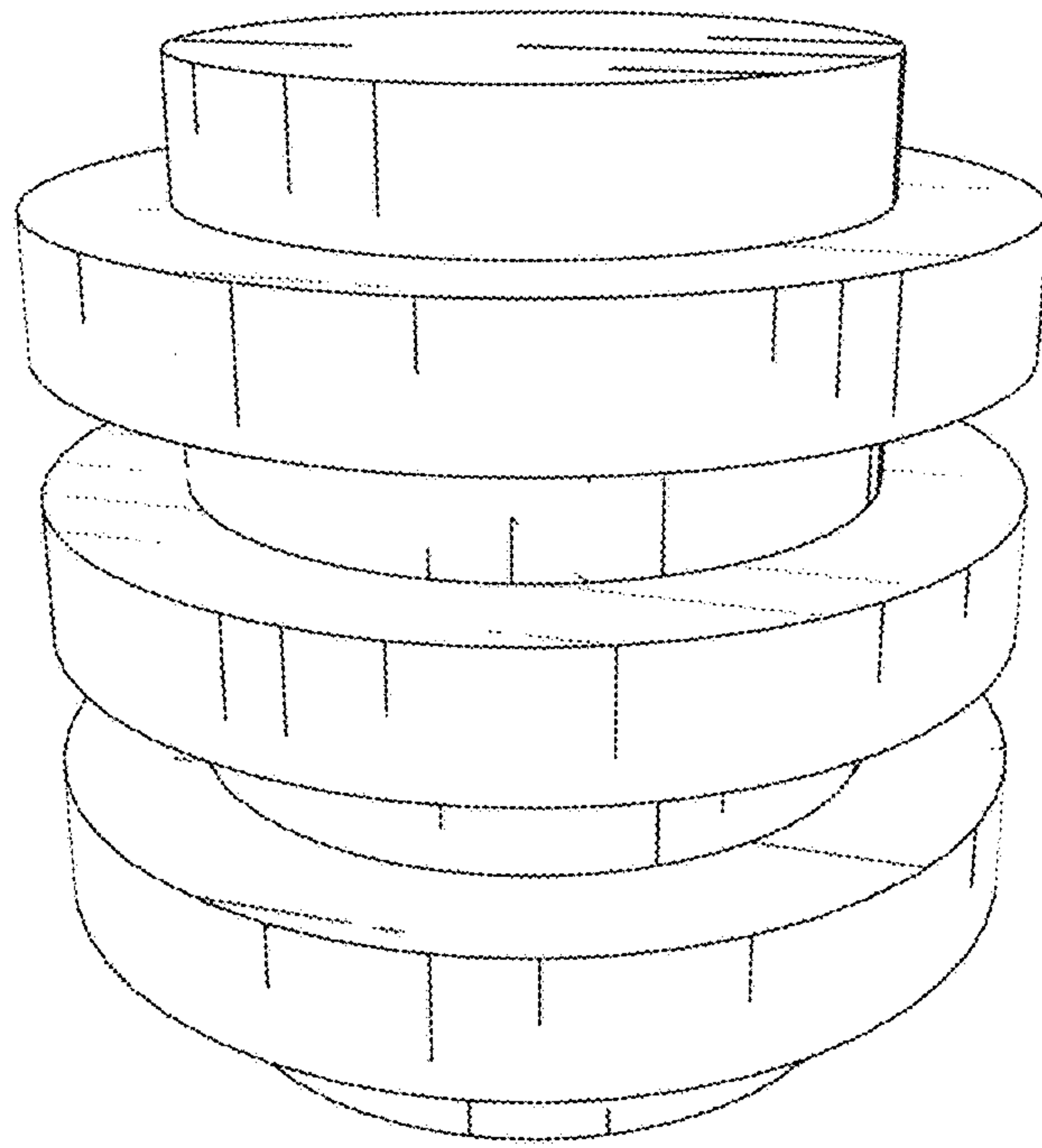


FIG. 4

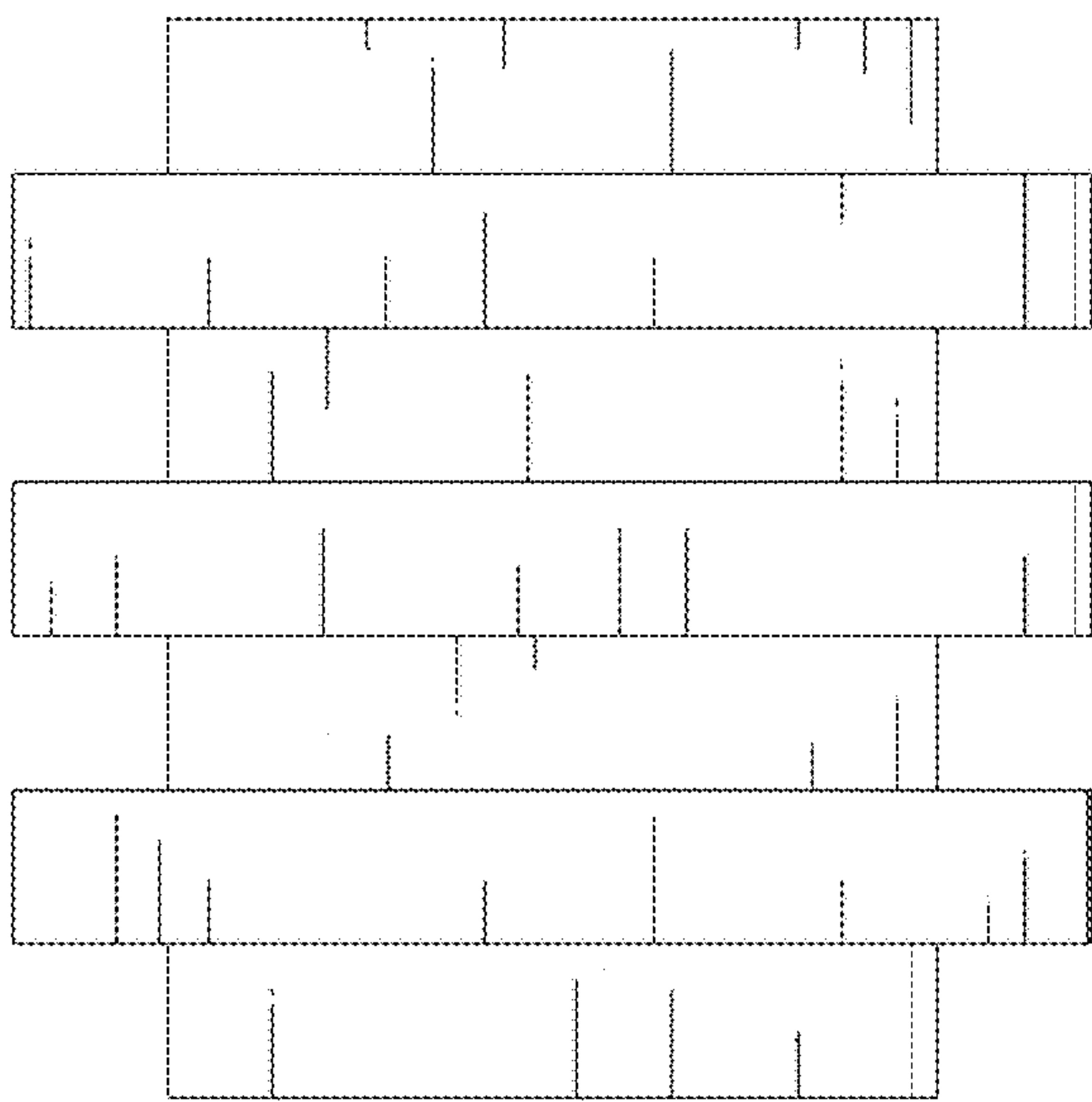


FIG. 5

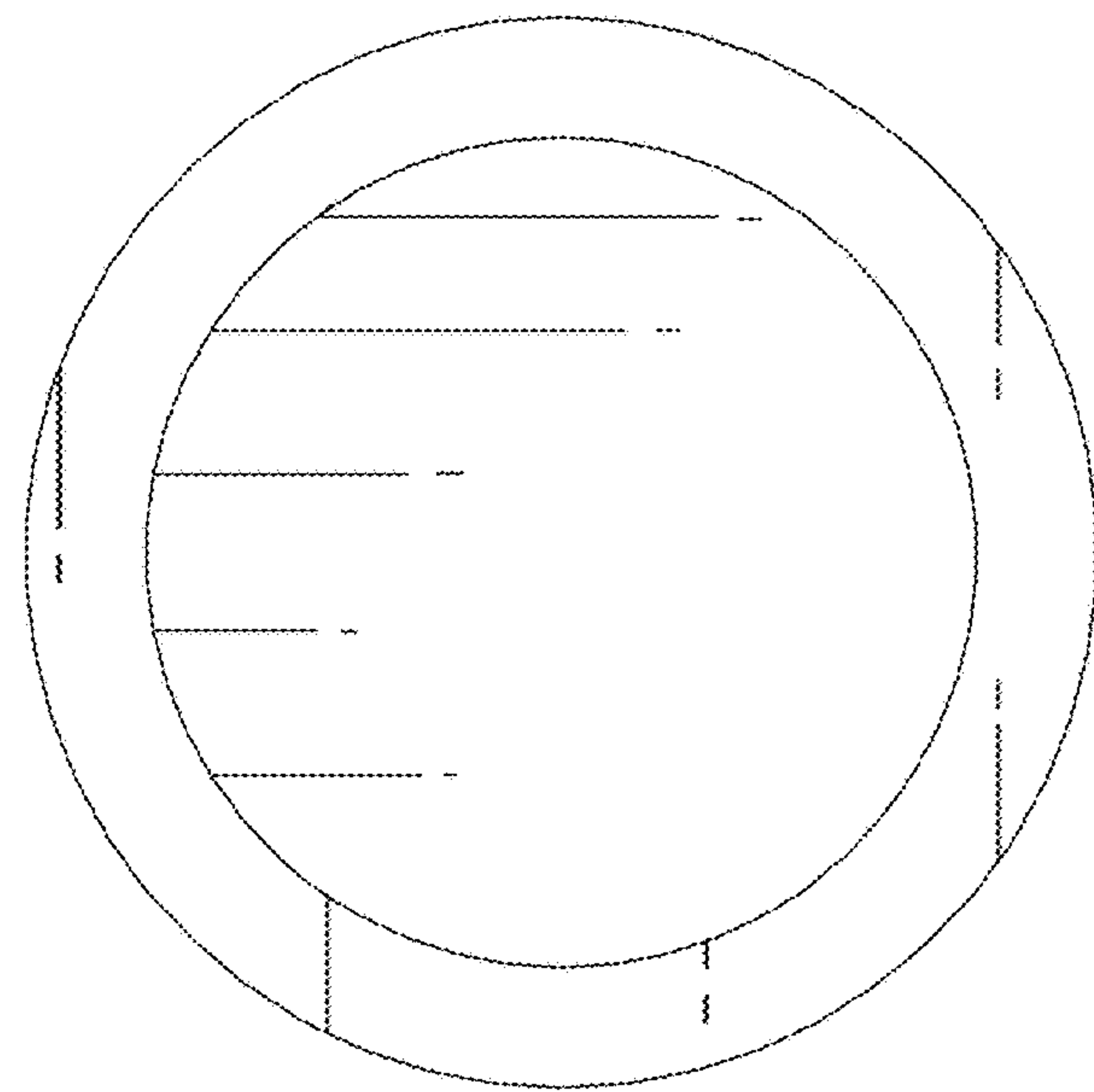


FIG. 6