



US00D985680S

(12) **United States Design Patent** (10) **Patent No.:** **US D985,680 S**  
**Feng** (45) **Date of Patent:** **\*\* May 9, 2023**

(54) **TOY BLOCK**  
(71) Applicant: **Xin Feng**, Baulkham Hills (AU)  
(72) Inventor: **Xin Feng**, Baulkham Hills (AU)  
(\*\*) Term: **15 Years**  
(21) Appl. No.: **29/788,231**

5,947,787 A \* 9/1999 Cyrus ..... A63H 33/42  
446/105  
D630,263 S \* 1/2011 Smith ..... D21/486  
8,070,551 B1 \* 12/2011 Clever ..... A63H 33/084  
446/124  
D686,675 S \* 7/2013 Jensen ..... D21/487  
9,017,134 B1 \* 4/2015 Christian ..... A63H 33/084  
446/124  
D747,421 S \* 1/2016 Connor, Jr. .... D21/501  
D902,321 S \* 11/2020 Park ..... F16B 5/0607  
D21/487

(22) Filed: **Jun. 21, 2021**  
(51) **LOC (14) Cl.** ..... **21-01**  
(52) **U.S. Cl.**  
USPC ..... **D21/487**  
(58) **Field of Classification Search**  
USPC ..... D21/484–505  
CPC ..... A63H 33/04; A63H 33/06; A63H 33/062;  
A63H 33/08; A63H 33/082; A63H  
33/084; A63H 33/086; A63H 33/088  
See application file for complete search history.

\* cited by examiner

*Primary Examiner* — Cynthia M. Chin

(57) **CLAIM**

The ornamental design for a toy block, as shown and described.

**DESCRIPTION**

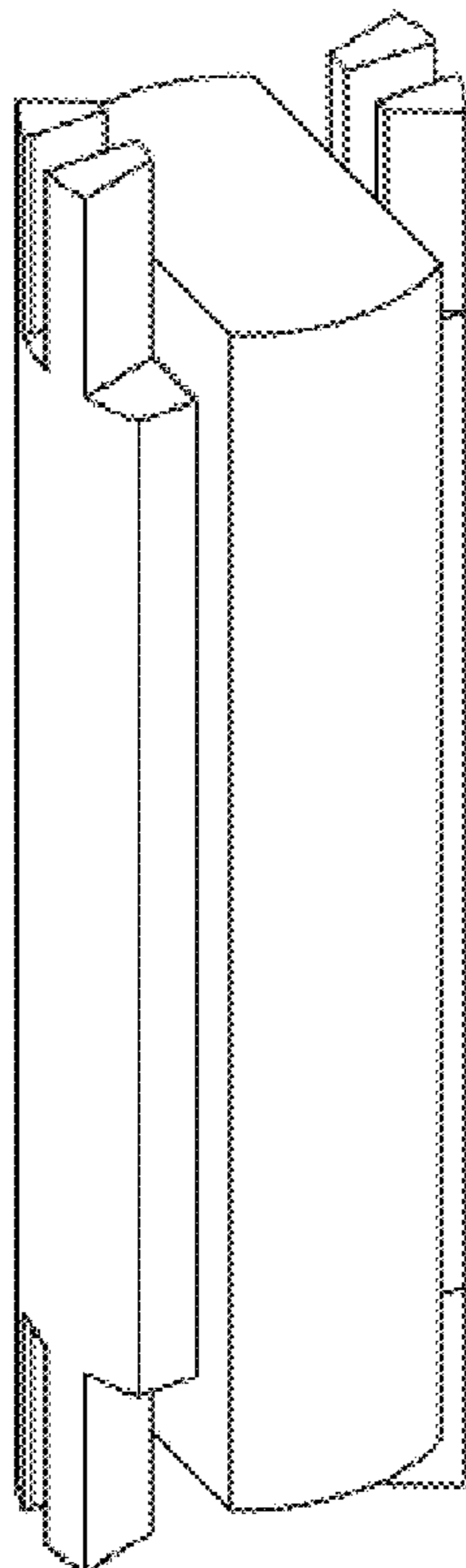
FIG. 1 is a front view of a toy block showing my new design;  
FIG. 2 is a right view thereof;  
FIG. 3 is a left view thereof;  
FIG. 4 is a top view thereof;  
FIG. 5 is a bottom view thereof;  
FIG. 6 is a back view thereof;  
FIG. 7 is a perspective view from top front right thereof;  
FIG. 8 is a perspective view from top front left thereof;  
FIG. 9 is a perspective view from bottom back right thereof;  
and,  
FIG. 10 is a perspective view from bottom back left thereof.

(56) **References Cited**

U.S. PATENT DOCUMENTS

4,334,868 A \* 6/1982 Levinrad ..... F16B 5/0607  
446/105  
D325,604 S \* 4/1992 Pagel ..... D21/486  
D347,665 S \* 6/1994 Hatting ..... A63H 33/084  
D21/487  
D367,897 S \* 3/1996 Schmidt ..... A63H 33/084  
D21/486  
D384,994 S \* 10/1997 Nielsen ..... D21/486  
D409,677 S \* 5/1999 Jensen ..... D21/486

**1 Claim, 10 Drawing Sheets**



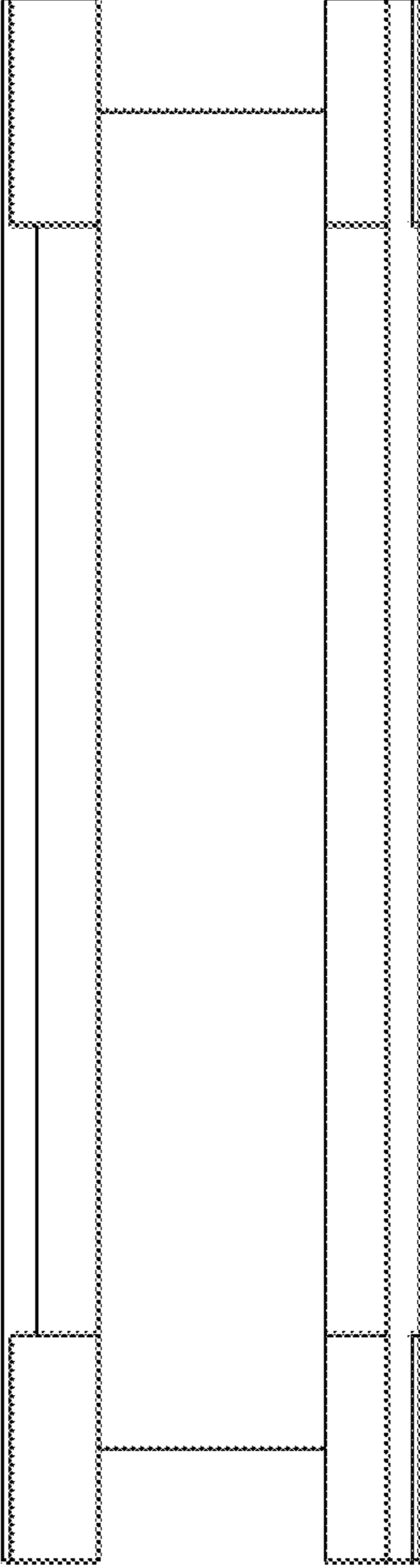


Figure 1

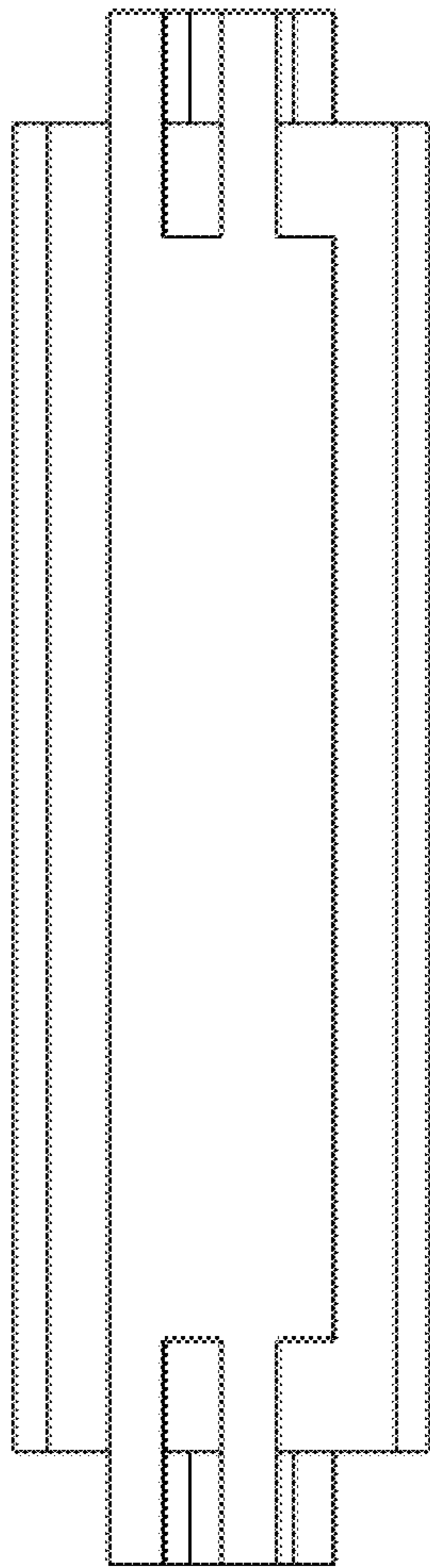


Figure 2

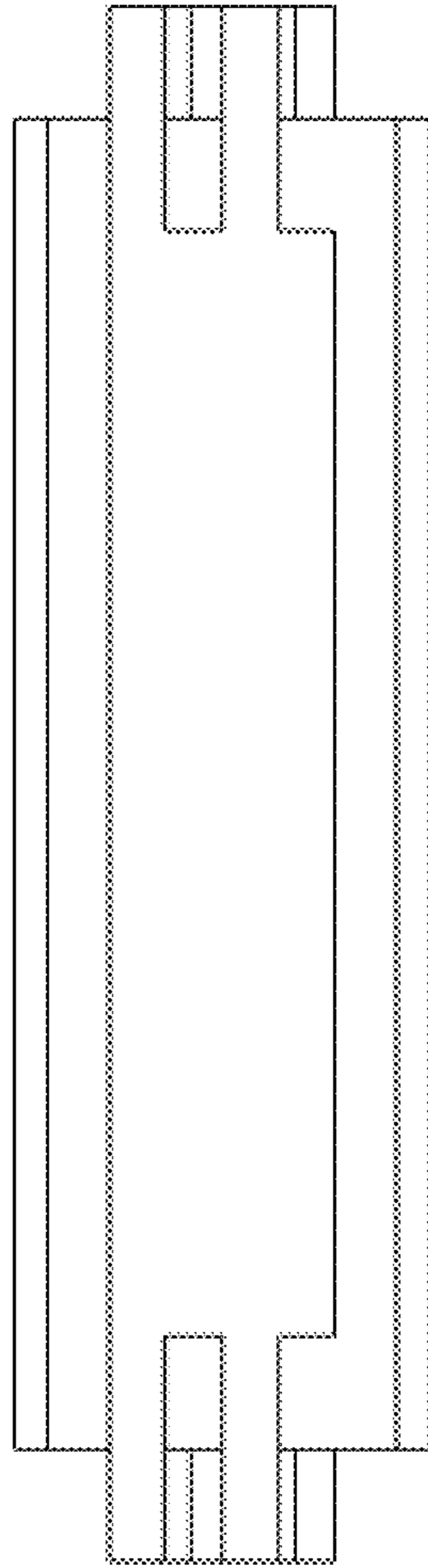


Figure 3

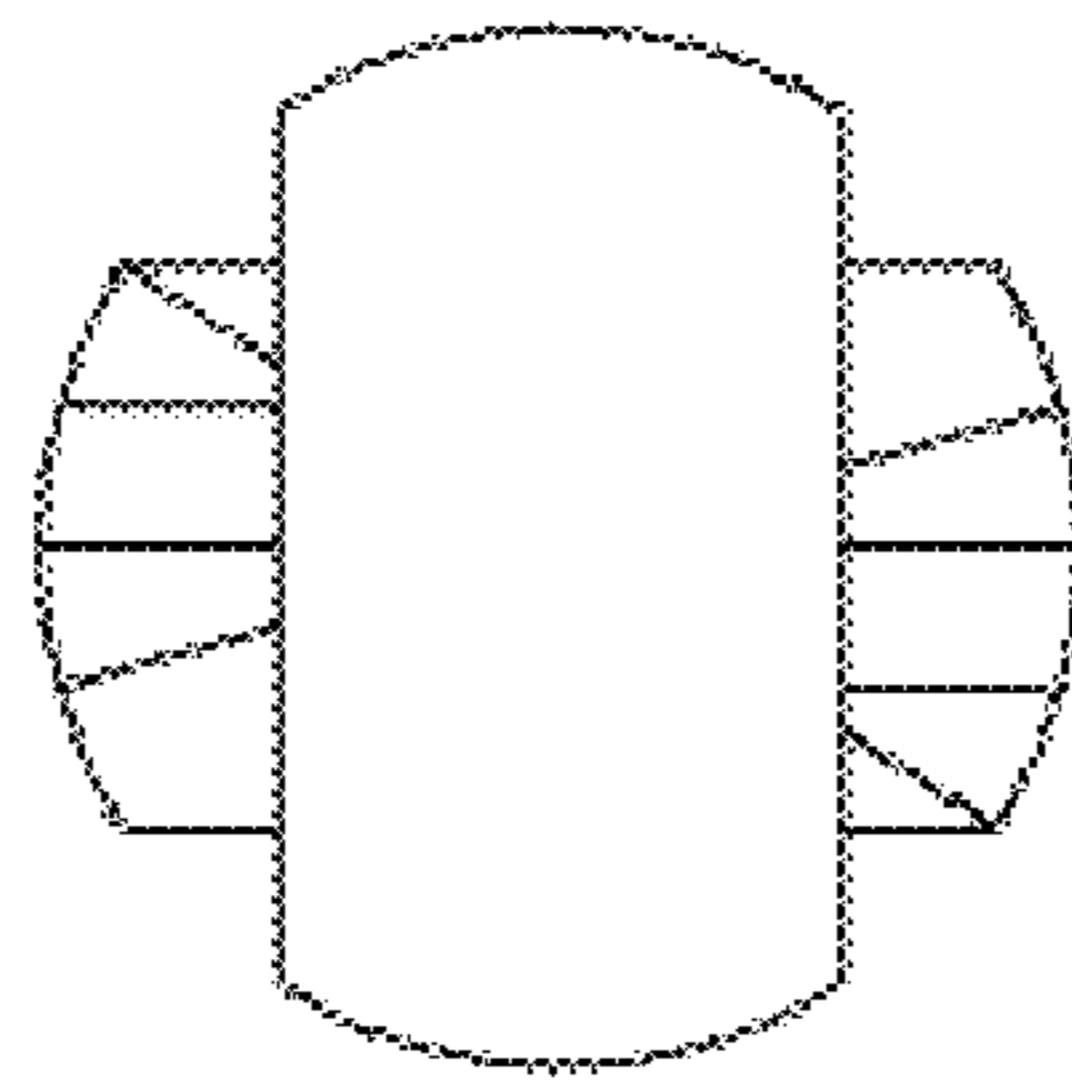


Figure 4

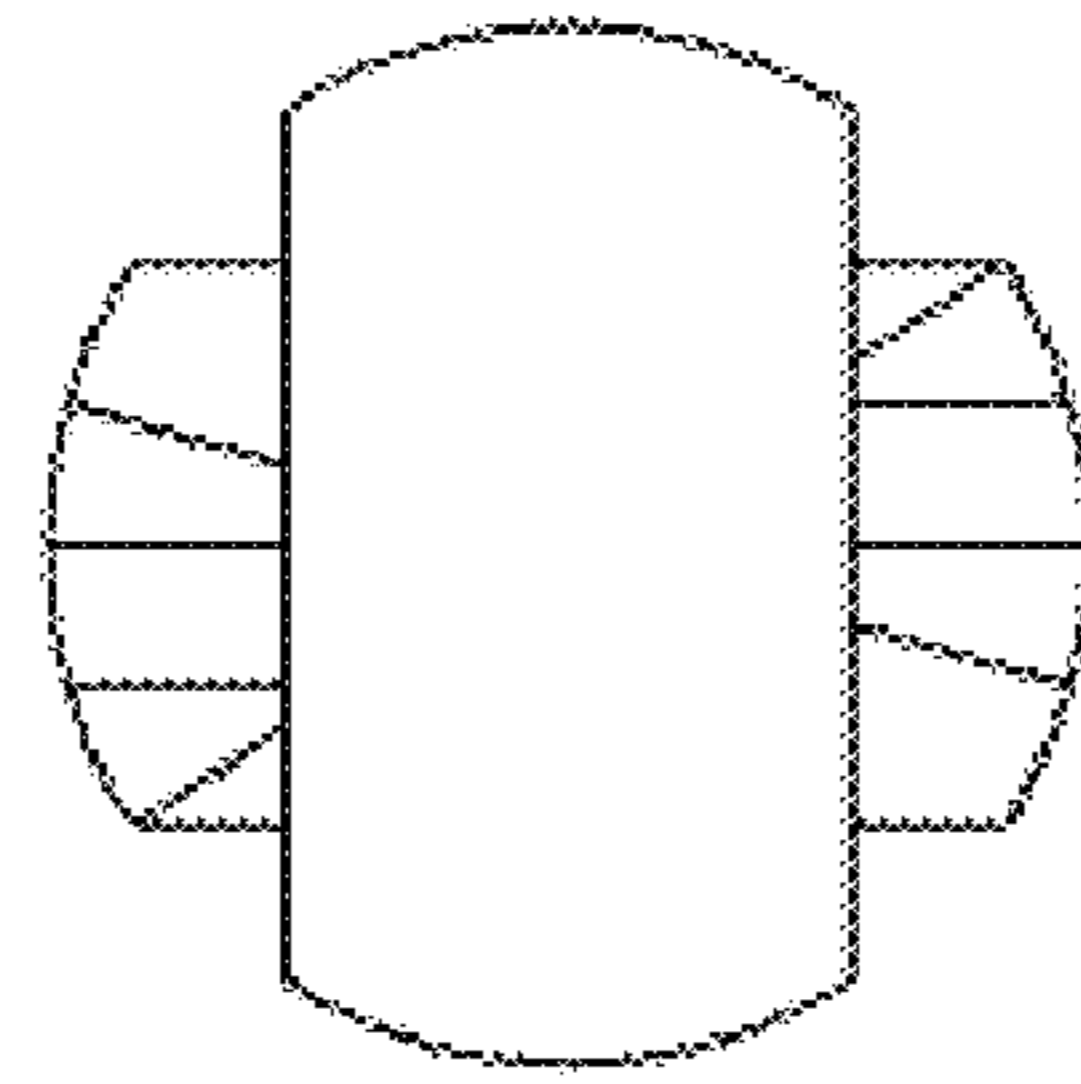


Figure 5

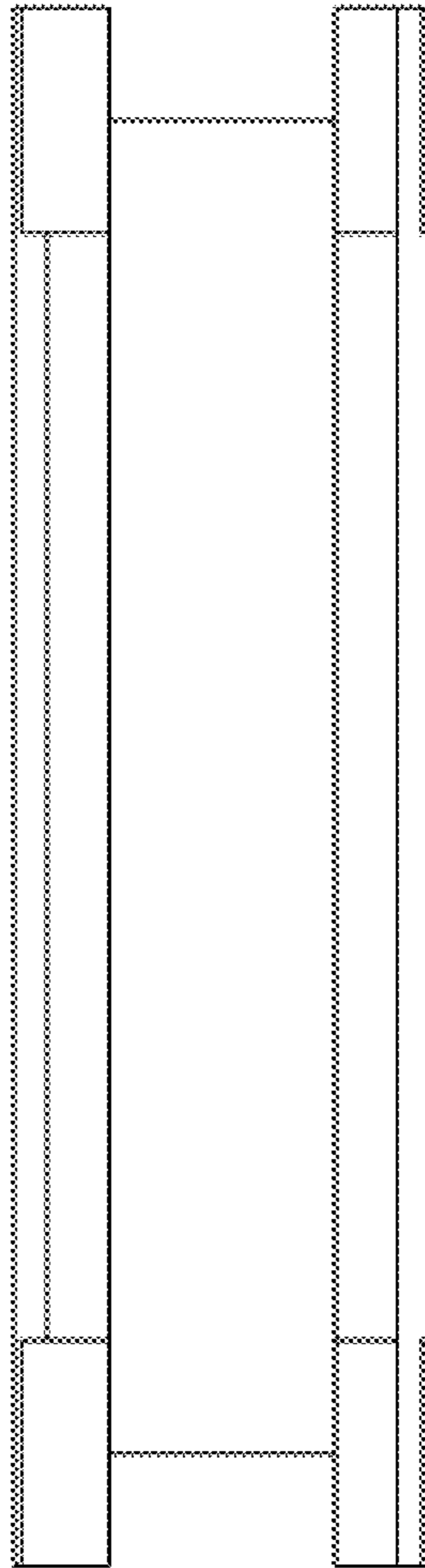


Figure 6

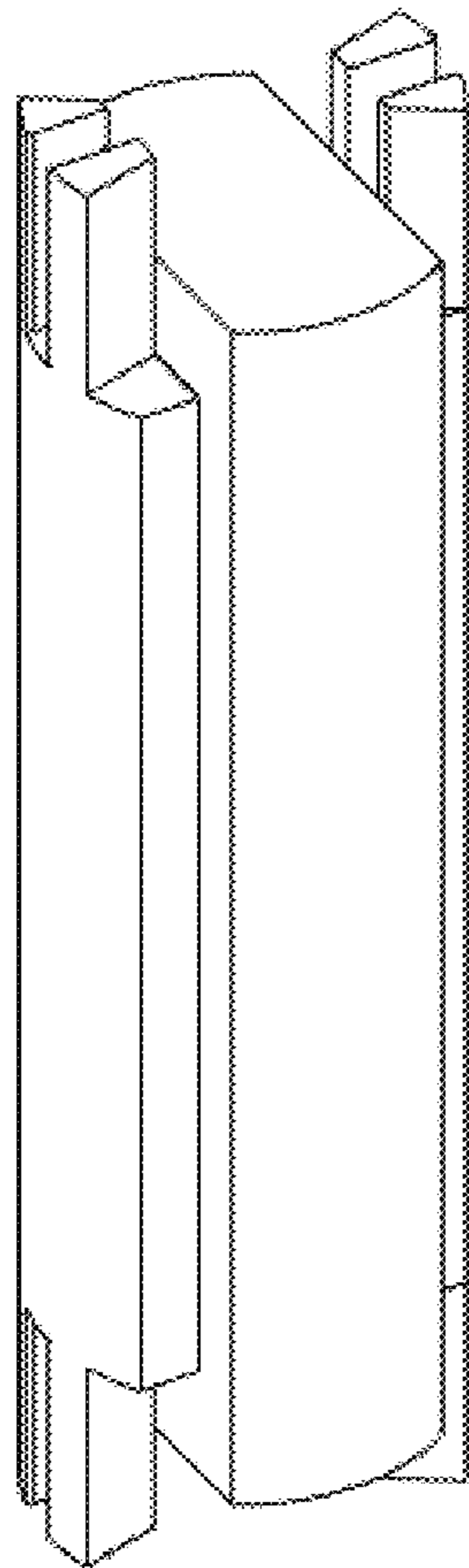


Figure 7



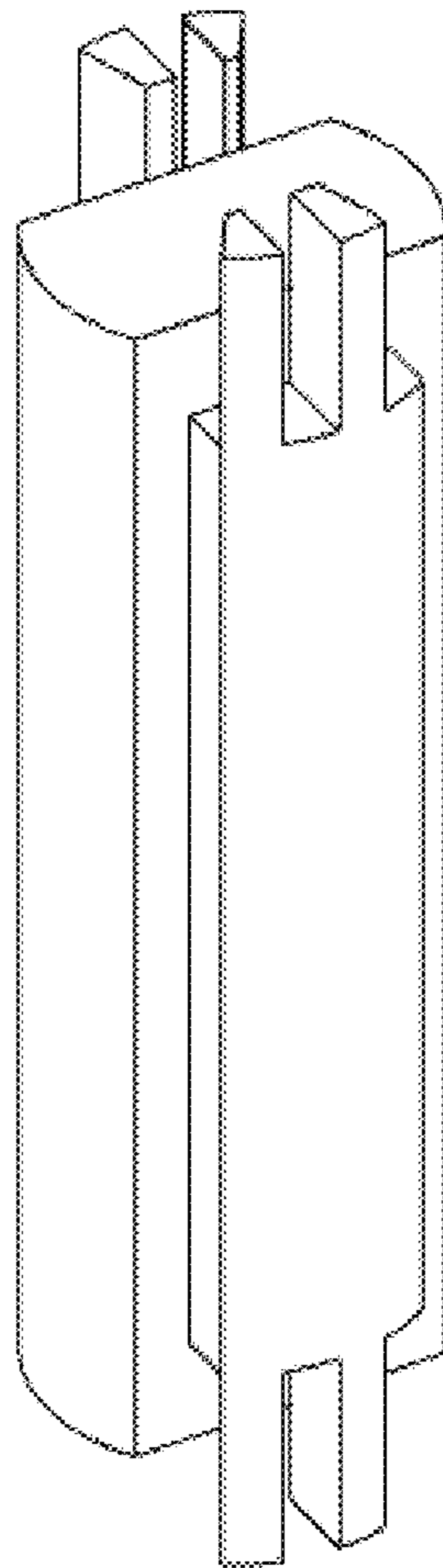


Figure 8

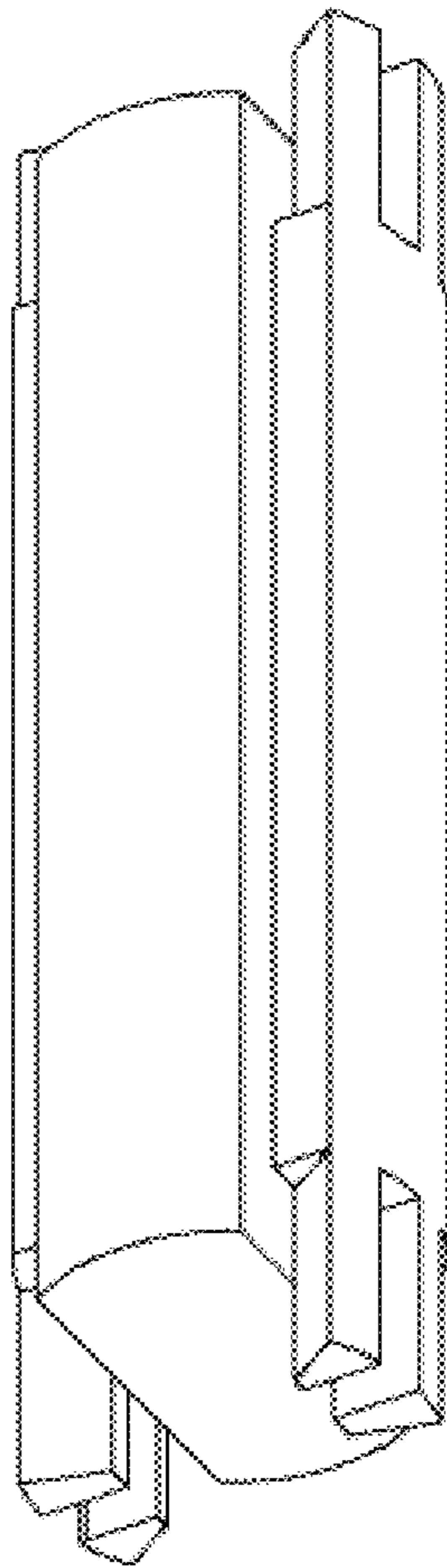


Figure 9

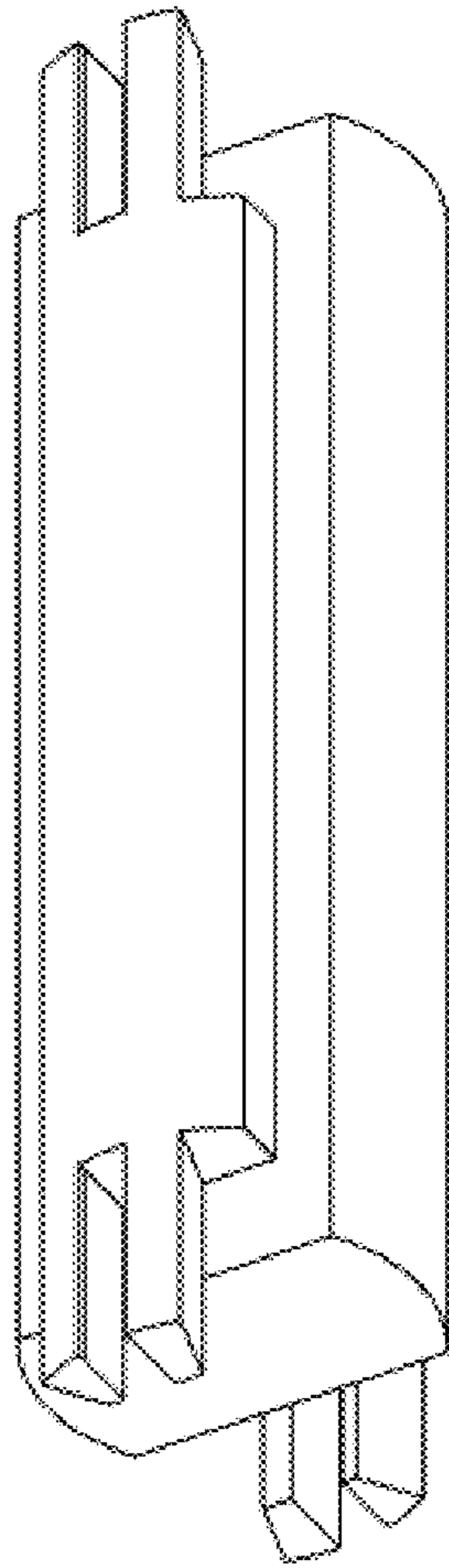


Figure 10