



US00D985679S

(12) **United States Design Patent** (10) **Patent No.:** **US D985,679 S**
Chen (45) **Date of Patent:** **** May 9, 2023**

(54) **FIDGET TOY**
(71) Applicant: **Huirong Chen**, Shantou (CN)
(72) Inventor: **Huirong Chen**, Shantou (CN)
(**) Term: **15 Years**
(21) Appl. No.: **29/779,930**
(22) Filed: **Apr. 21, 2021**
(51) **LOC (14) Cl.** **21-01**
(52) **U.S. Cl.**
USPC **D21/475**; D21/468
(58) **Field of Classification Search**
USPC D21/398, 468, 475, 479, 489, 491, 499,
D21/373, 386, 405, 498
CPC A63H 1/00; A63H 33/00; A63H 33/42;
A63H 33/30; A63H 33/18; A63F 9/00;
A63F 2009/0007; A63F 2009/0027; A63F
2009/0049; A63F 2009/2402; A63F
2009/2408; A63F 2009/2438; A63F
9/001; A63F 9/0826; A63F 9/1208; A63F
2250/025
See application file for complete search history.

D827,727 S * 9/2018 McLachlan D21/475
D829,828 S * 10/2018 McLachlan D21/475
D853,842 S * 7/2019 Yao D21/475
D856,976 S * 8/2019 Kang D14/215
D857,804 S * 8/2019 McLachlan D21/475
D858,650 S * 9/2019 McLachlan D21/475
D859,537 S * 9/2019 McLachlan D21/475
D905,662 S * 12/2020 Gonzalez D14/214
2022/0176235 A1 * 6/2022 McLachlan A63H 33/42

OTHER PUBLICATIONS

Qoolbuy Fidget Toys Cube Mini. Date First Available: Nov. 23, 2021. Retrieved from internet: <<https://www.amazon.ca/QOOLBUY-Upgraded-Sensory-Anxiety-Depression/dp/B09KQV2BSR>> [site visited Jan. 22, 2023] (Year: 2021).*
Vcostore Fidget Cube 12 Sides. Date First Available: Aug. 30, 2018. Retrieved from internet: <<https://www.amazon.ca/VCOSTORE-Fidget-Dodecagon-Children-Anxiety/dp/B07GXQH6DD>> [site visited Jan. 22, 2023] (Year: 2018).*

* cited by examiner

Primary Examiner — Katherine Glennon
Assistant Examiner — Yuan Yuan

(57) **CLAIM**

The ornamental design for a fidget toy, as shown and described.

DESCRIPTION

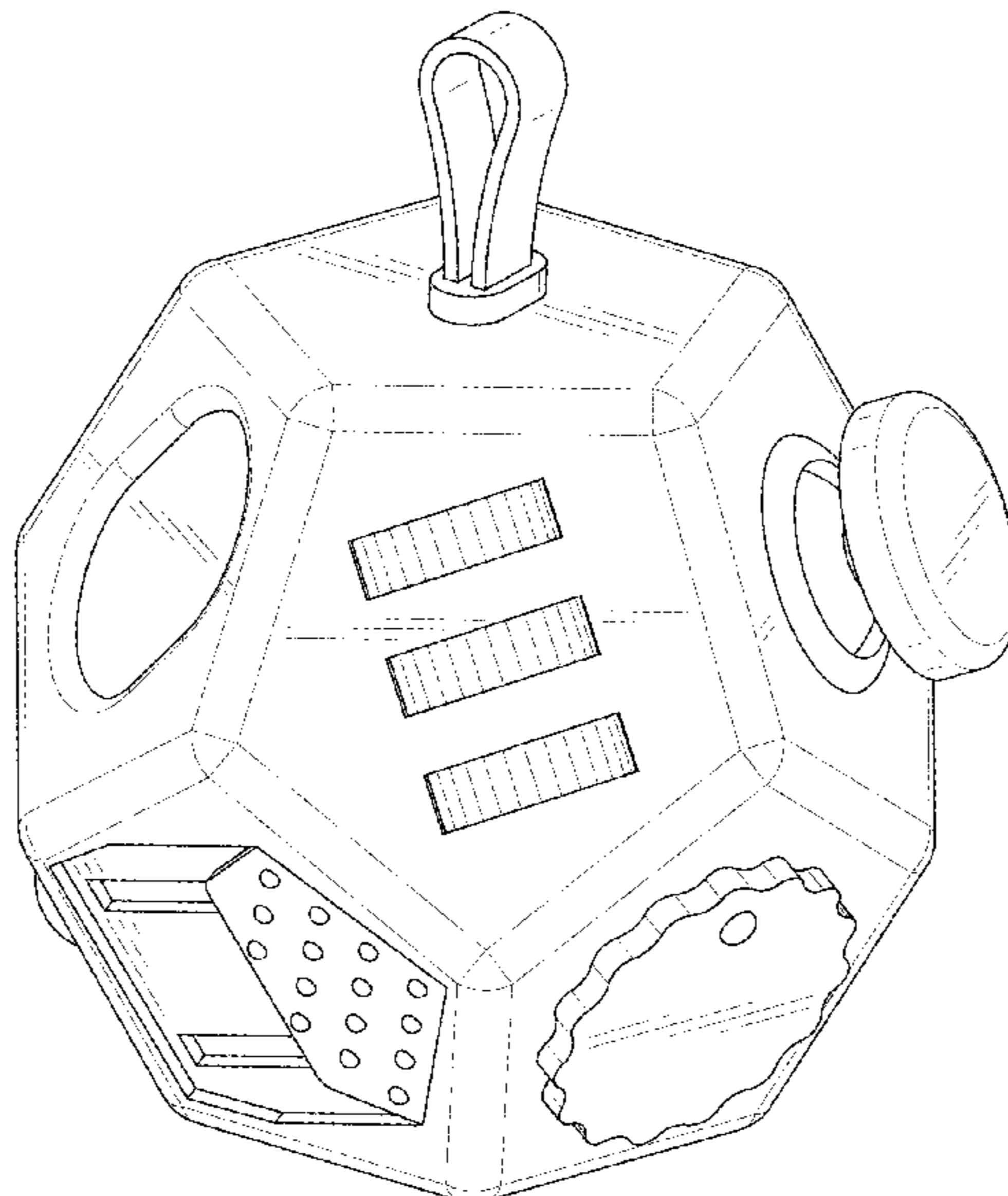
FIG. 1 is a front, right side, top perspective view of a fidget toy showing my new design;
FIG. 2 is a rear, left side, bottom perspective view thereof;
FIG. 3 is a front elevational view thereof;
FIG. 4 is a rear elevational view thereof;
FIG. 5 is a left side elevational view thereof;
FIG. 6 is a right side elevational view thereof;
FIG. 7 is a top plan view thereof; and,
FIG. 8 is a bottom plan view thereof.

1 Claim, 8 Drawing Sheets

(56) **References Cited**

U.S. PATENT DOCUMENTS

D188,324 S * 7/1960 Brown D10/50
D261,780 S * 11/1981 Radtke D21/324
D323,613 S * 2/1992 Cummins D13/169
D416,871 S * 11/1999 Todd D13/169
D442,250 S * 5/2001 Leung D21/811
D484,886 S * 1/2004 Matsuoka D14/454
7,238,026 B2 * 7/2007 Brown G09B 5/06
434/258
D606,029 S * 12/2009 Chou D13/169
D718,715 S * 12/2014 Si D13/110
D761,230 S * 7/2016 Si D14/214
D818,054 S * 5/2018 McLachlan D21/475
D827,725 S * 9/2018 McLachlan D21/475
D827,726 S * 9/2018 McLachlan D21/475



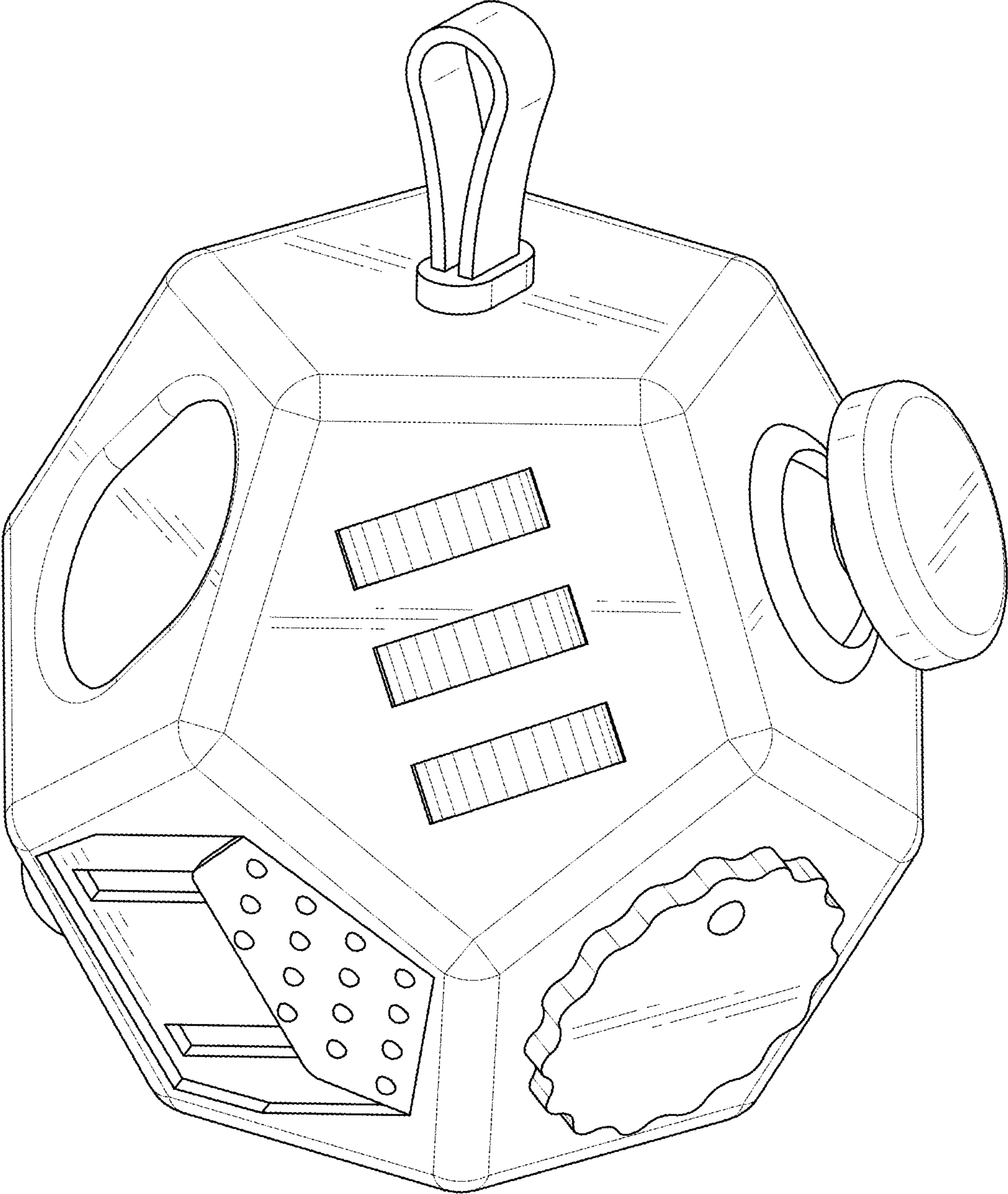


FIG. 1

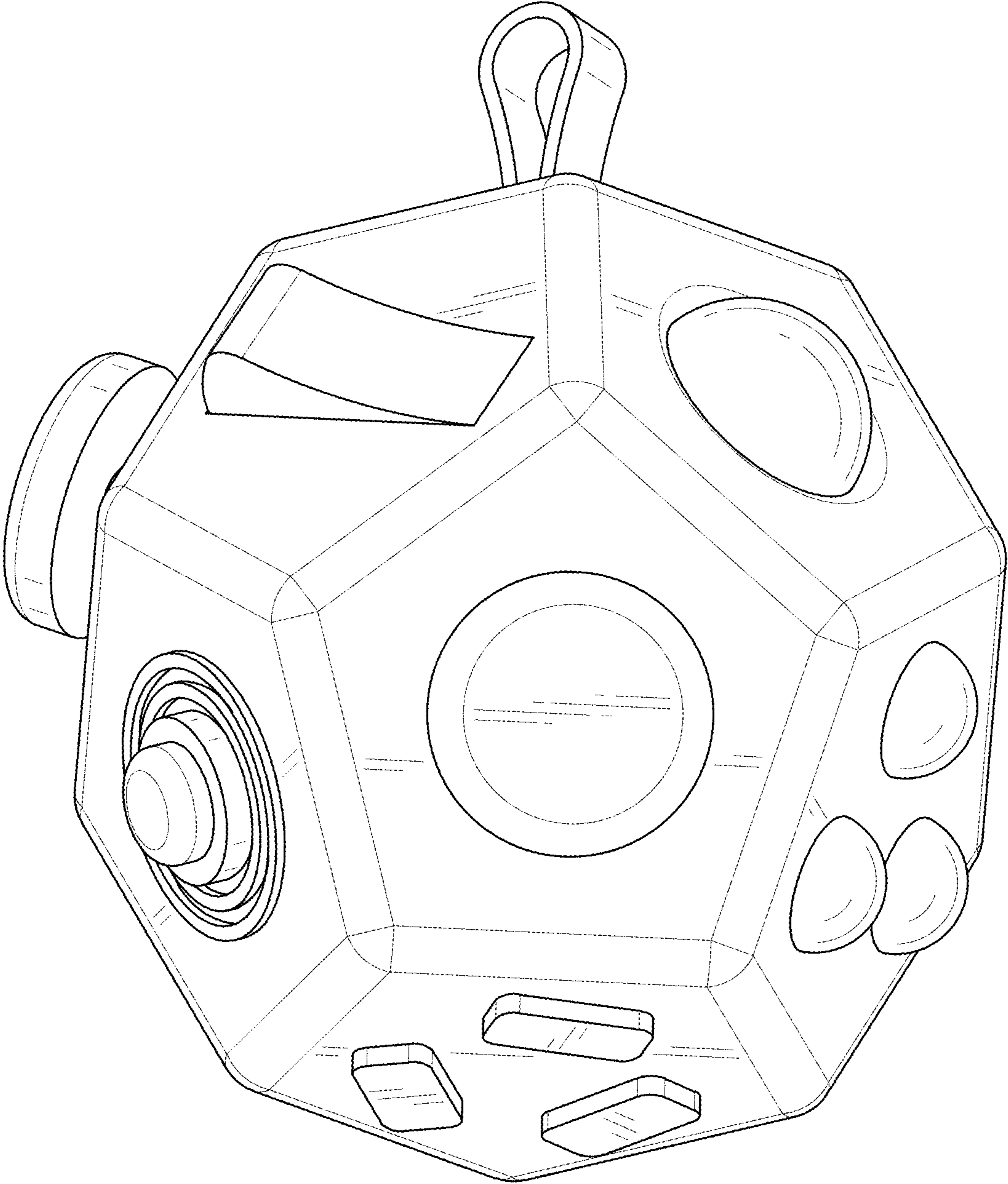


FIG.2

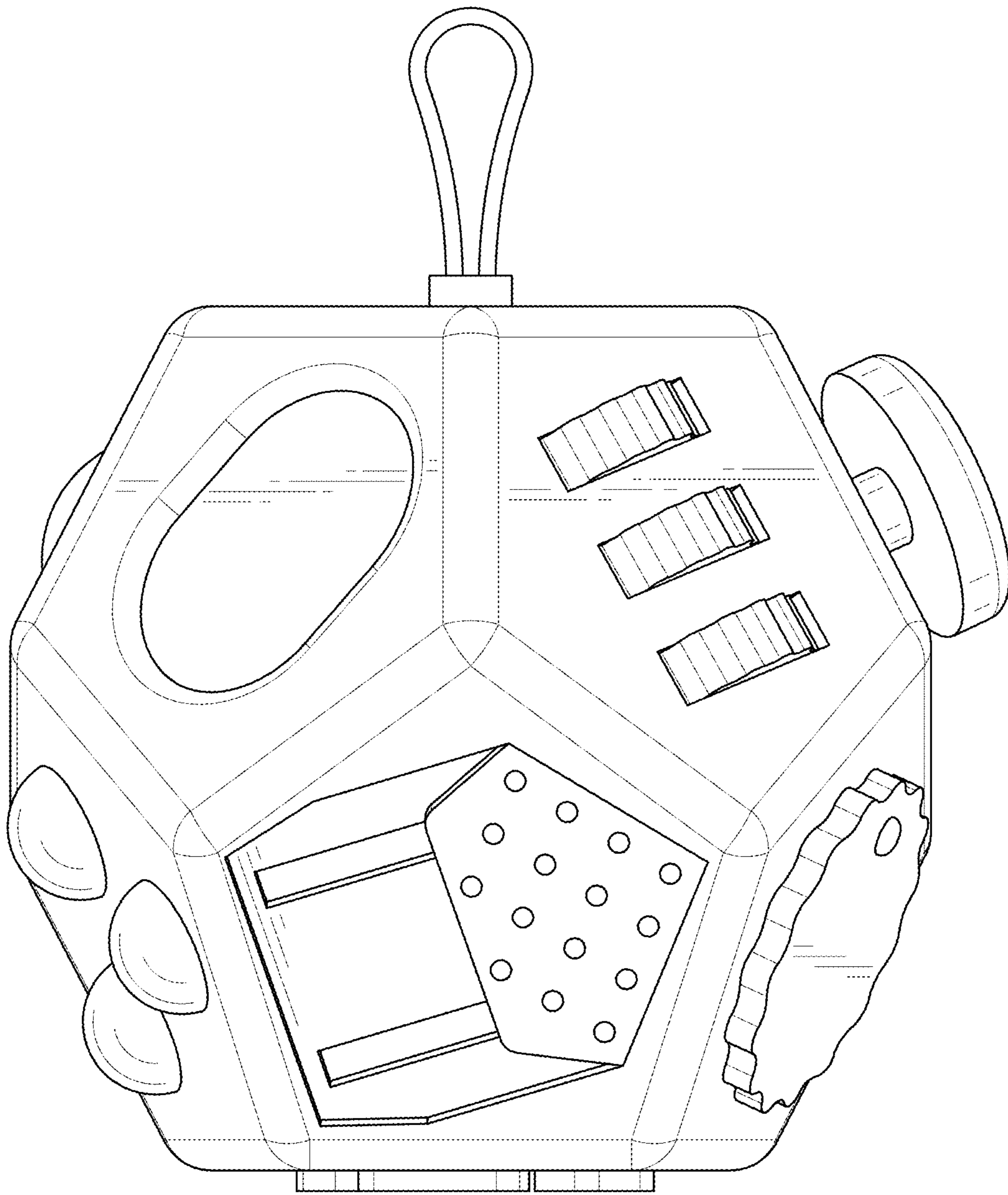


FIG.3

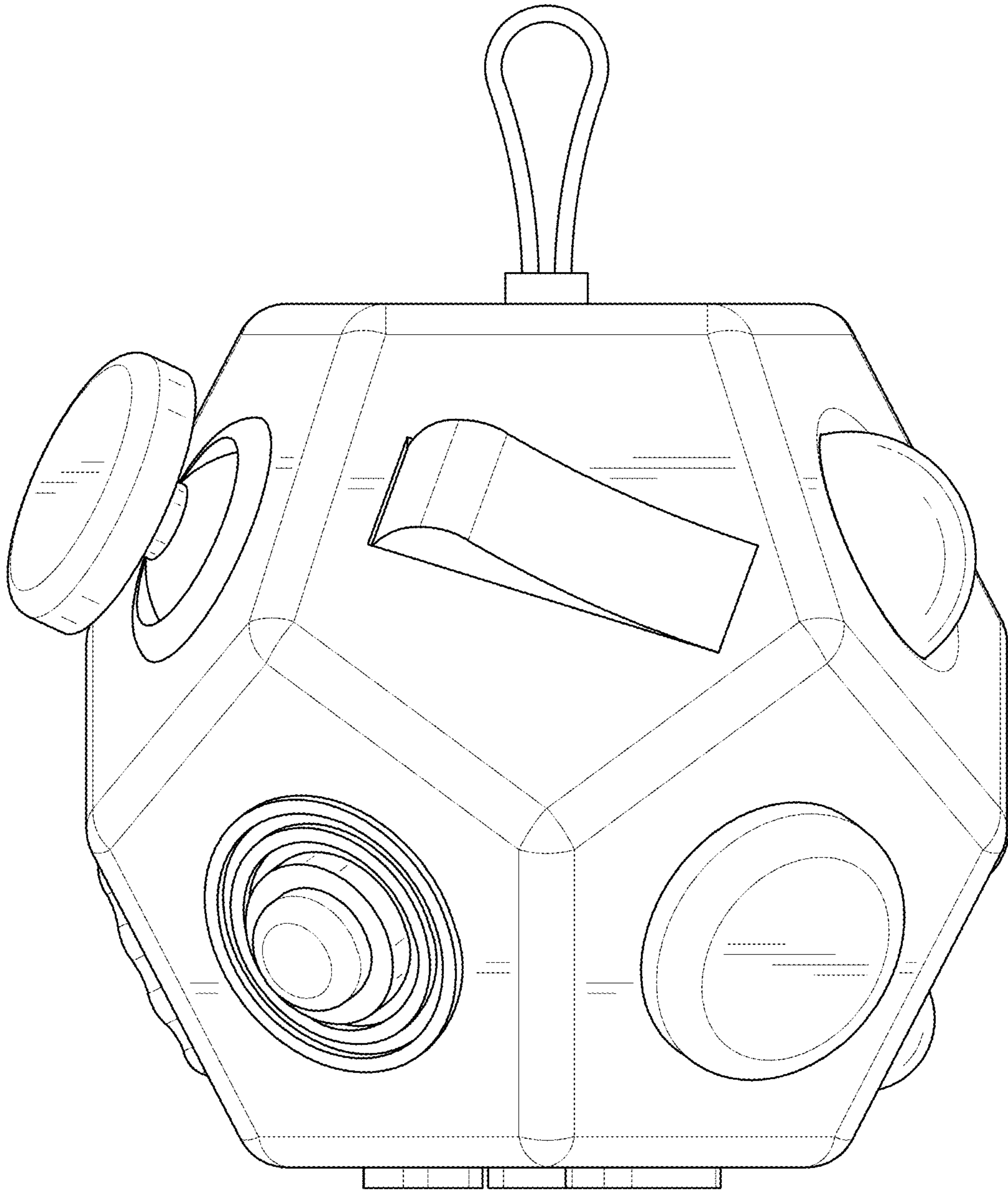


FIG.4

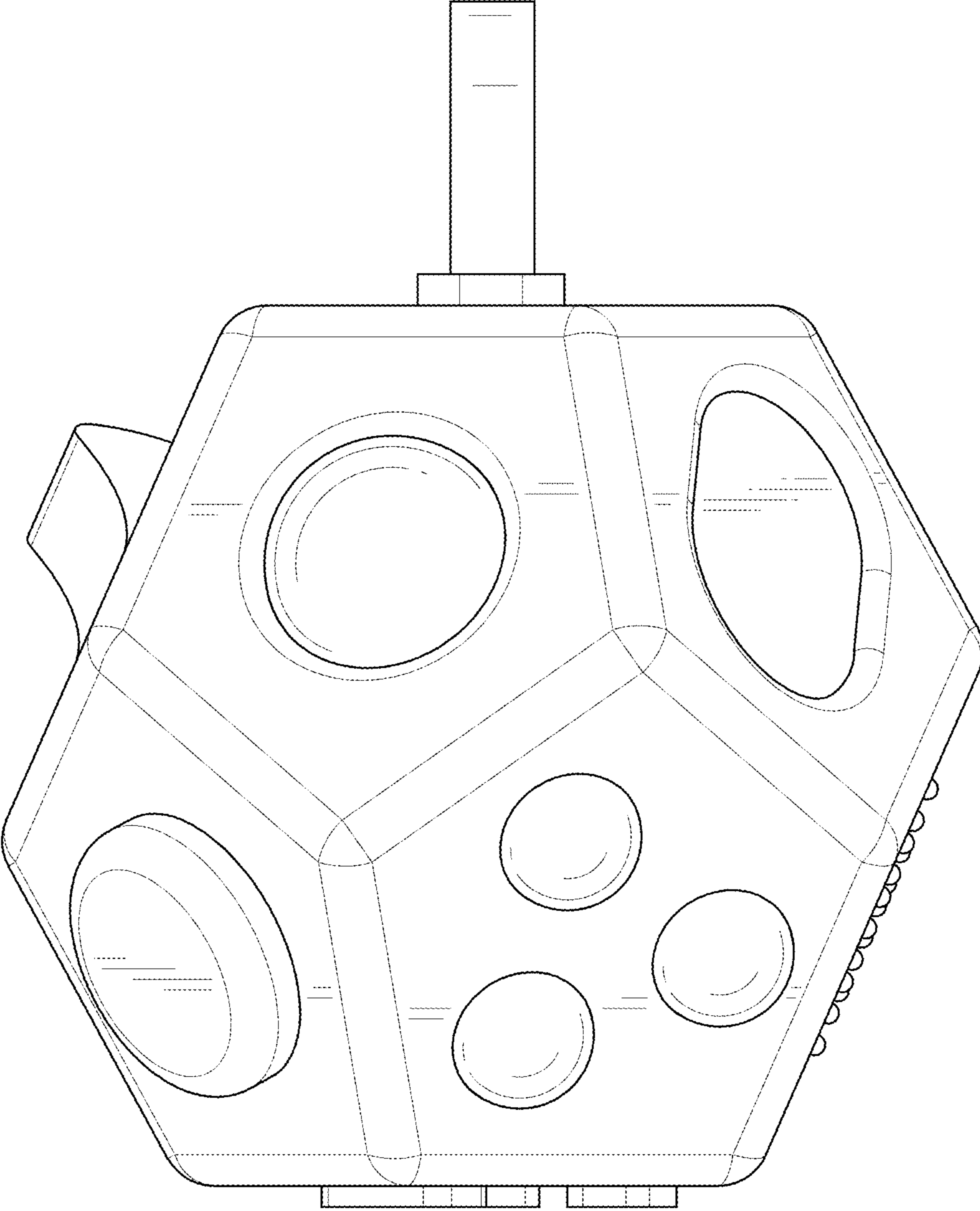


FIG.5

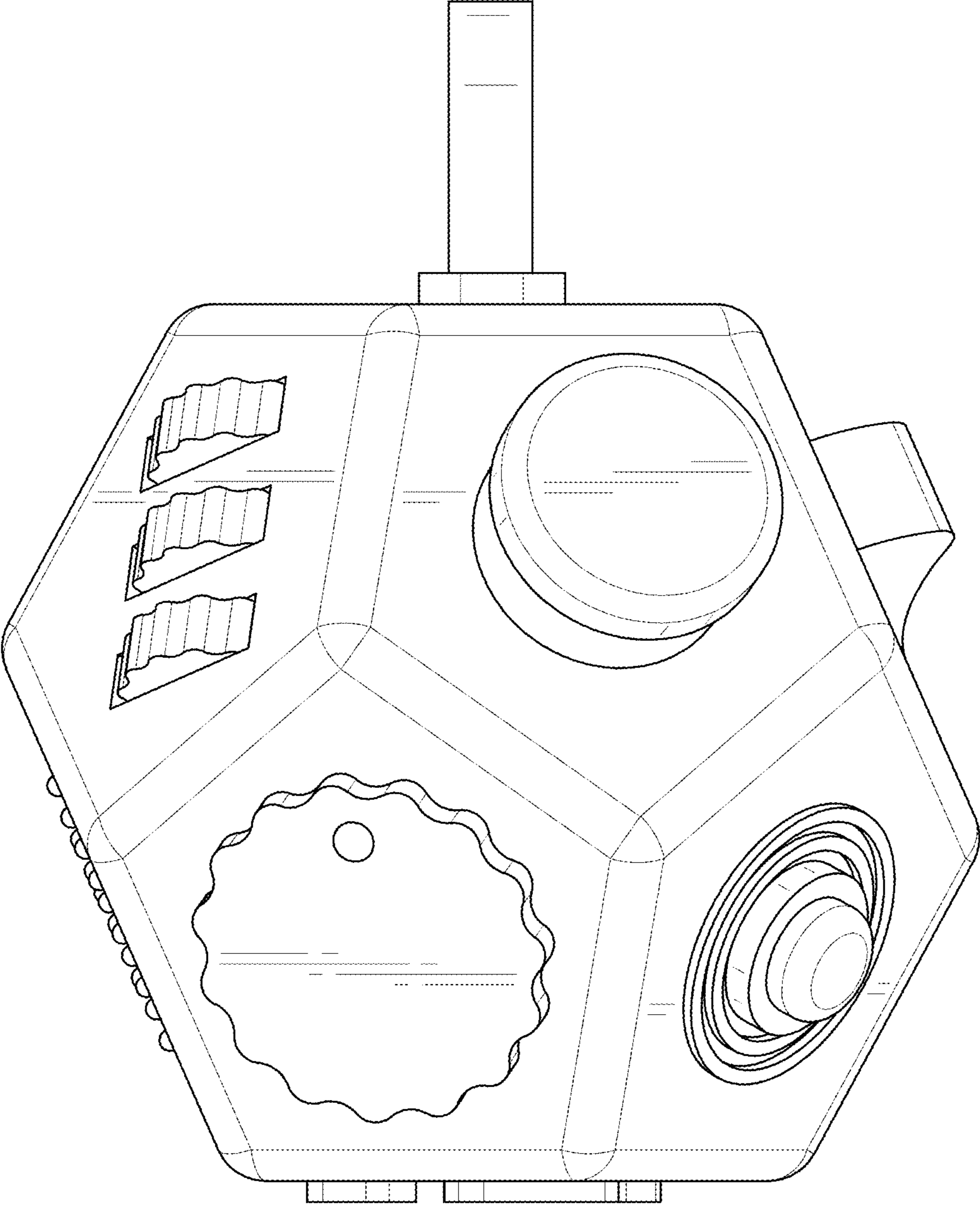


FIG.6

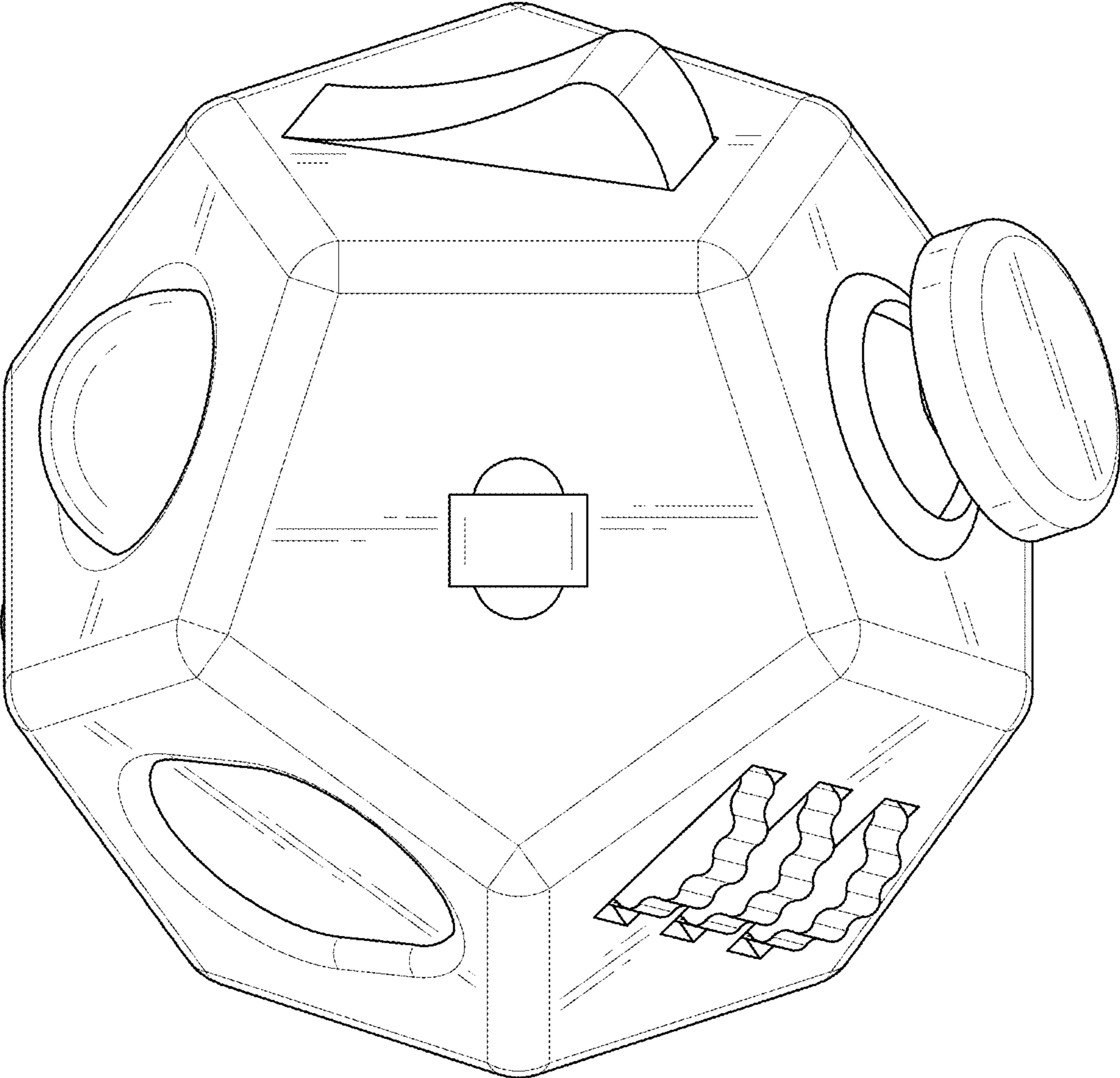


FIG. 7

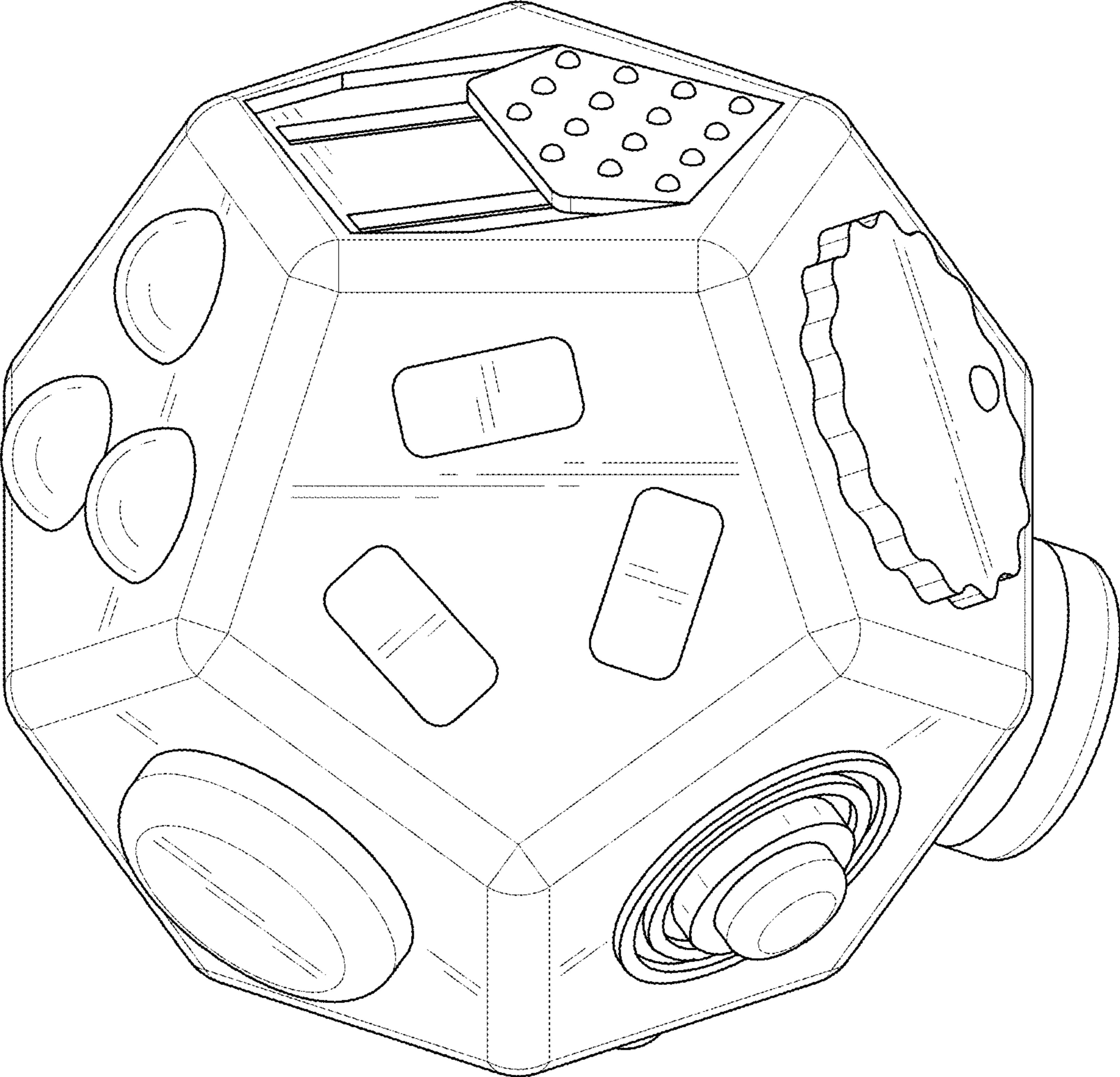


FIG.8