



US00D985678S

(12) **United States Design Patent**  
**Choi**

(10) **Patent No.:** **US D985,678 S**

(45) **Date of Patent:** **\*\* May 9, 2023**

(54) **PROPULSION UNIT FOR A TOY PLANE**

(71) Applicant: **SILVERLIT LIMITED**, Causeway Bay (HK)

(72) Inventor: **Kei Fung Choi**, Causeway Bay (HK)

(73) Assignee: **Silverlit Limited**, Causeway Bay (HK)

(\*\*) Term: **15 Years**

(21) Appl. No.: **29/750,754**

(22) Filed: **Sep. 16, 2020**

(30) **Foreign Application Priority Data**

Sep. 8, 2020 (EM) ..... 008162192-0001

(51) **LOC (14) Cl.** ..... **21-07**

(52) **U.S. Cl.**  
USPC ..... **D21/450; D12/345**

(58) **Field of Classification Search**  
USPC ..... D12/1, 2, 3, 4, 16.1, 174, 319-345;  
D21/436-455

(Continued)

(56) **References Cited**

**U.S. PATENT DOCUMENTS**

7,073,750 B1 7/2006 Choi  
7,789,340 B2 9/2010 Choi

(Continued)

*Primary Examiner* — John A Voytek

(74) *Attorney, Agent, or Firm* — Greenberg Traurig, LLP

(57) **CLAIM**

The ornamental design for a propulsion unit for a toy plane, as shown and described.

**DESCRIPTION**

FIG. 1 is a front view of a first embodiment of a propulsion unit for the toy plane.

FIG. 2 is a rear view of the propulsion unit for the toy plane of the first embodiment.

FIG. 3 is a left view of the propulsion unit for the toy plane of the first embodiment.

FIG. 4 is a right view of the propulsion unit for the toy plane of the first embodiment.

FIG. 5 is a top view of a first embodiment of a propulsion unit for the toy plane.

FIG. 6 is a bottom view of the propulsion unit for the toy plane of the first embodiment.

FIG. 7 is a front left 45-degree view of the propulsion unit for the toy plane of the first embodiment.

FIG. 8 is a front right 45-degree view of the propulsion unit for the toy plane of the first embodiment.

FIG. 9 is a rear left 45-degree view of a first embodiment of a propulsion unit for the toy plane.

FIG. 10 is a rear right 45-degree view of the propulsion unit for the toy plane of the first embodiment.

FIG. 11 is a front view of a third second embodiment of a propulsion unit for the toy plane.

FIG. 12 is a rear view of the propulsion unit for the toy plane of the second embodiment.

FIG. 13 is a left view of the propulsion unit for the toy plane of the second embodiment.

FIG. 14 is a right view of the propulsion unit for the toy plane of the second embodiment.

FIG. 15 is a top view of the second embodiment of a propulsion unit for the toy plane.

FIG. 16 is a bottom view of the propulsion unit for the toy plane of the second embodiment.

FIG. 17 is a front left 45-degree view of the propulsion unit for the toy plane of the third embodiment.

FIG. 18 is a front right 45-degree view of the propulsion unit for the toy plane of the second embodiment.

FIG. 19 is a rear left 45-degree view of the second embodiment of a propulsion unit for the toy plane.

FIG. 20 is a rear right 45-degree view of the propulsion unit for the toy plane of the second embodiment.

FIG. 21 is a front 3-D view of a third embodiment of a propulsion unit for the toy plane.

FIG. 22 is a rear 3-D view of the propulsion unit for the toy plane of the third embodiment.

(Continued)

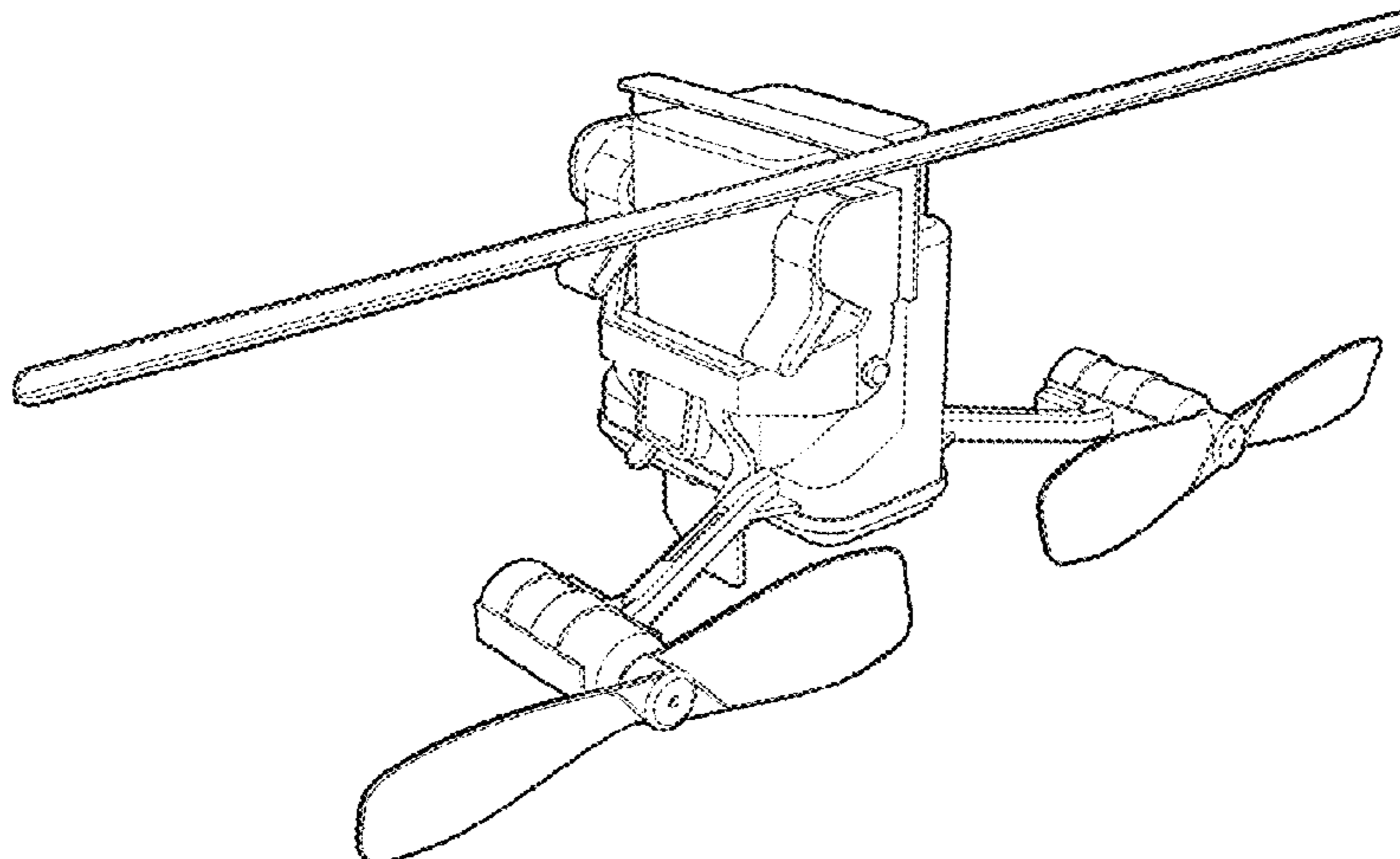


FIG. 23 is a left 3-D view of the propulsion unit for the toy plane of the third embodiment.  
 FIG. 24 is a right 3-D view of the propulsion unit for the toy plane of the third embodiment.  
 FIG. 25 is a top 3-D view of a third embodiment of a propulsion unit for the toy plane.  
 FIG. 26 is a bottom 3-D view of the propulsion unit for the toy plane of the third embodiment.  
 FIG. 27 is a front left 45 degree 3-D view of the propulsion unit for the toy plane of the third embodiment.  
 FIG. 28 is a front right 45 degree 3-D view of the propulsion unit for the toy plane of the third embodiment.  
 FIG. 29 is a rear left 45 degree 3-D view of a third embodiment of a propulsion unit for the toy plane.  
 FIG. 30 is a rear right 45 degree 3-D view of the propulsion unit for the toy plane of the third embodiment.  
 FIG. 31 is a front 3-D view of a fourth embodiment of a propulsion unit for the toy plane.  
 FIG. 32 is a rear 3-D view of the propulsion unit for the toy plane of the fourth embodiment.  
 FIG. 33 is a front left 45 degree 3-D view of the propulsion unit for the toy plane of the fourth embodiment.  
 FIG. 34 is a rear left 45 degree 3-D view of the propulsion unit for the toy plane of the fourth embodiment.  
 FIG. 35 is a front right 45 degree 3-D view of the fourth embodiment of a propulsion unit for the toy plane; and,

FIG. 36 is a top 3-D view of the propulsion unit for the toy plane of the fourth embodiment.

**1 Claim, 19 Drawing Sheets**

(58) **Field of Classification Search**

CPC ..... B64C 29/0033; B64C 2201/021; B64C 29/02; B64C 2201/088; B64C 2201/104; B64C 2201/141

See application file for complete search history.

(56) **References Cited**

U.S. PATENT DOCUMENTS

9,375,650	B1	6/2016	Goitein	
9,682,329	B1	6/2017	Goitein	
2007/0181742	A1*	8/2007	Van de Rostyne	.... A63H 27/12 244/17.23
2008/0265088	A1*	10/2008	Choi	..... A63H 27/02 244/45 R
2008/0299867	A1*	12/2008	Van de Rostyne	.... A63H 27/06 446/37
2022/0062781	A1*	3/2022	Wong	..... A63H 27/001

\* cited by examiner

Figure 1

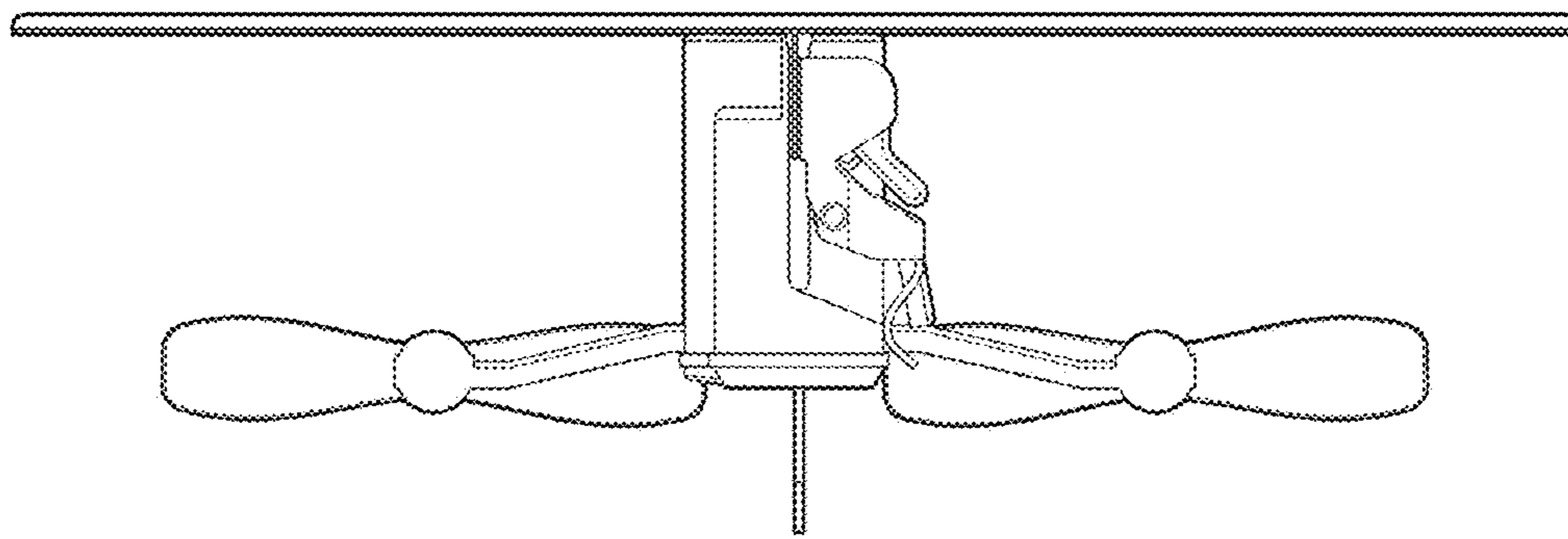


Figure 2

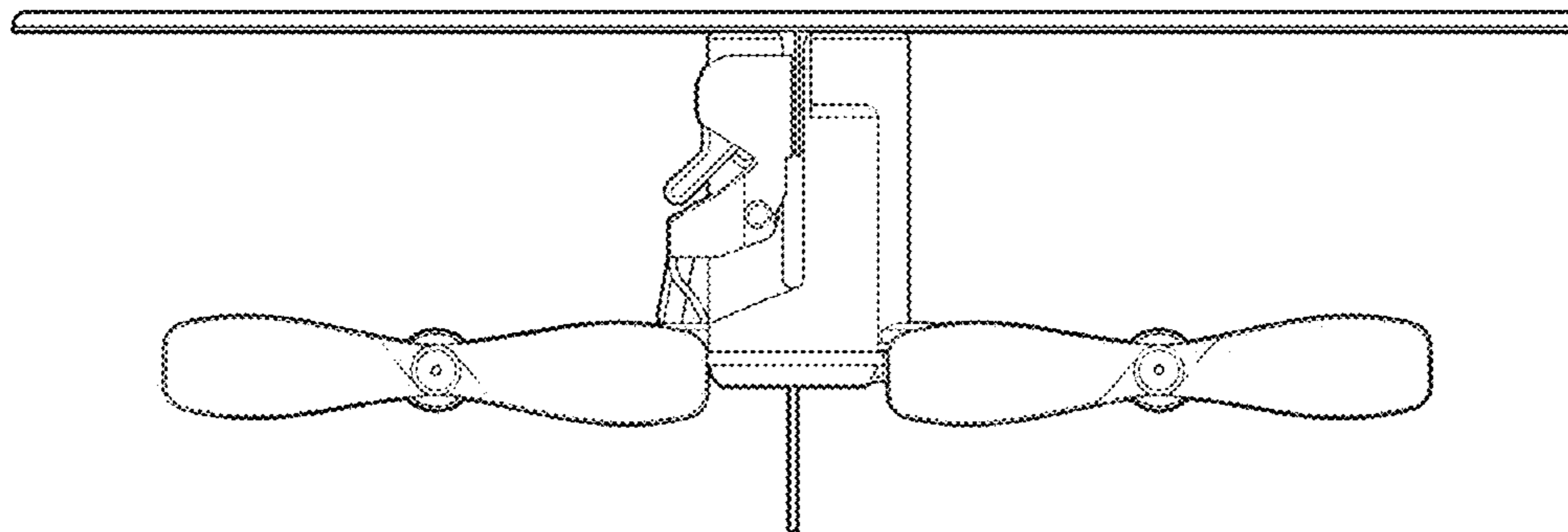


Figure 3

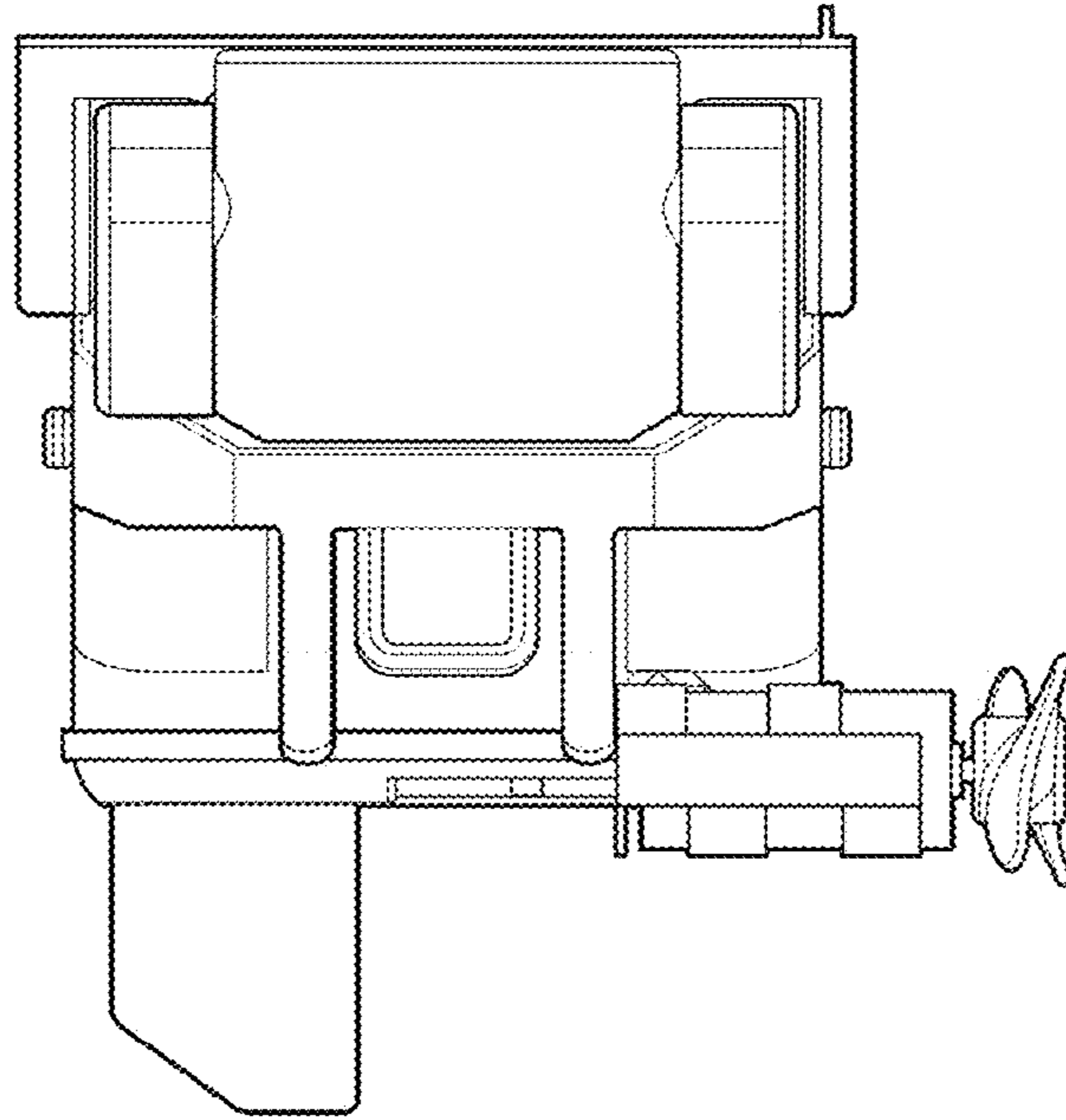


Figure 4

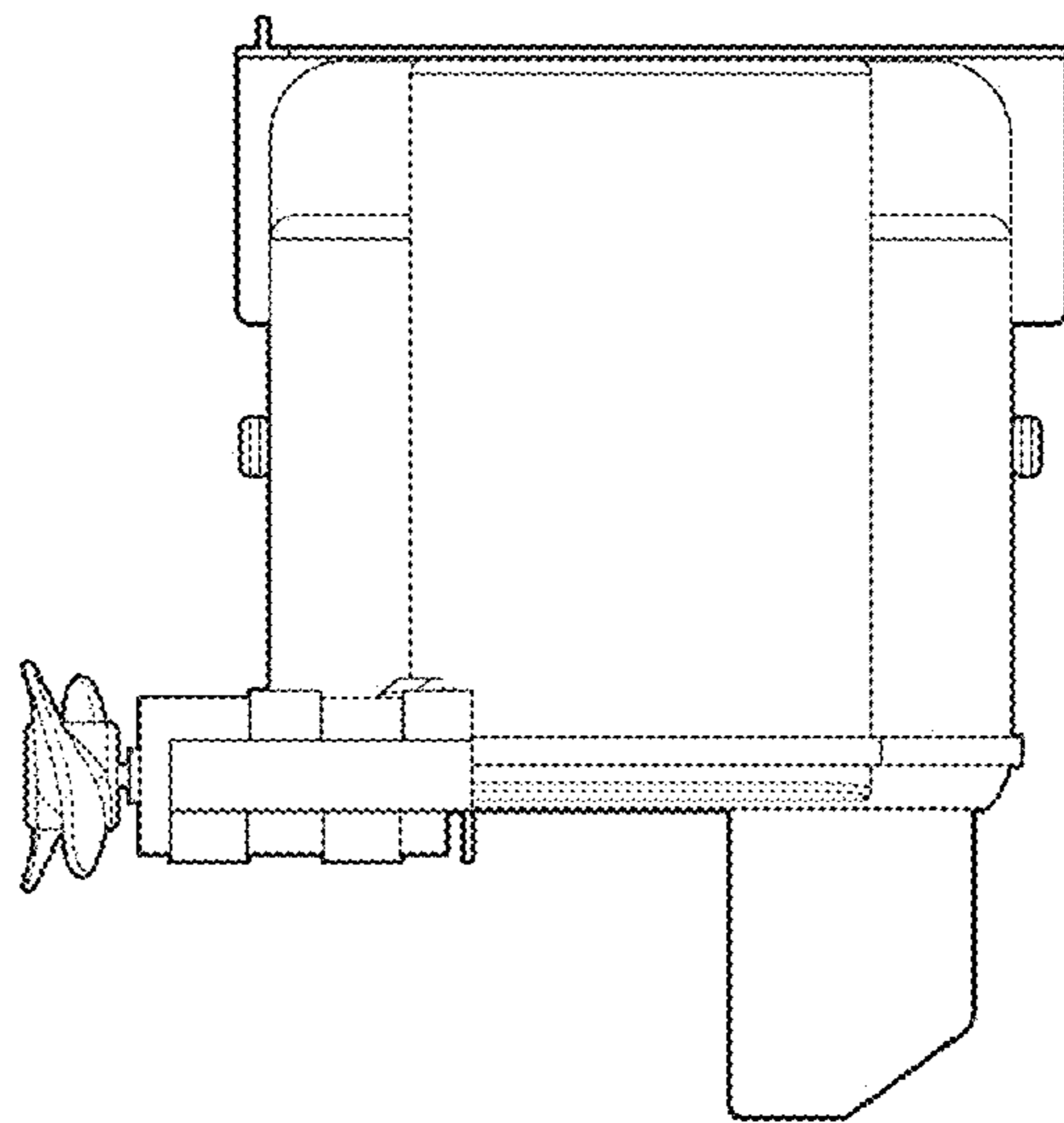


Figure 5

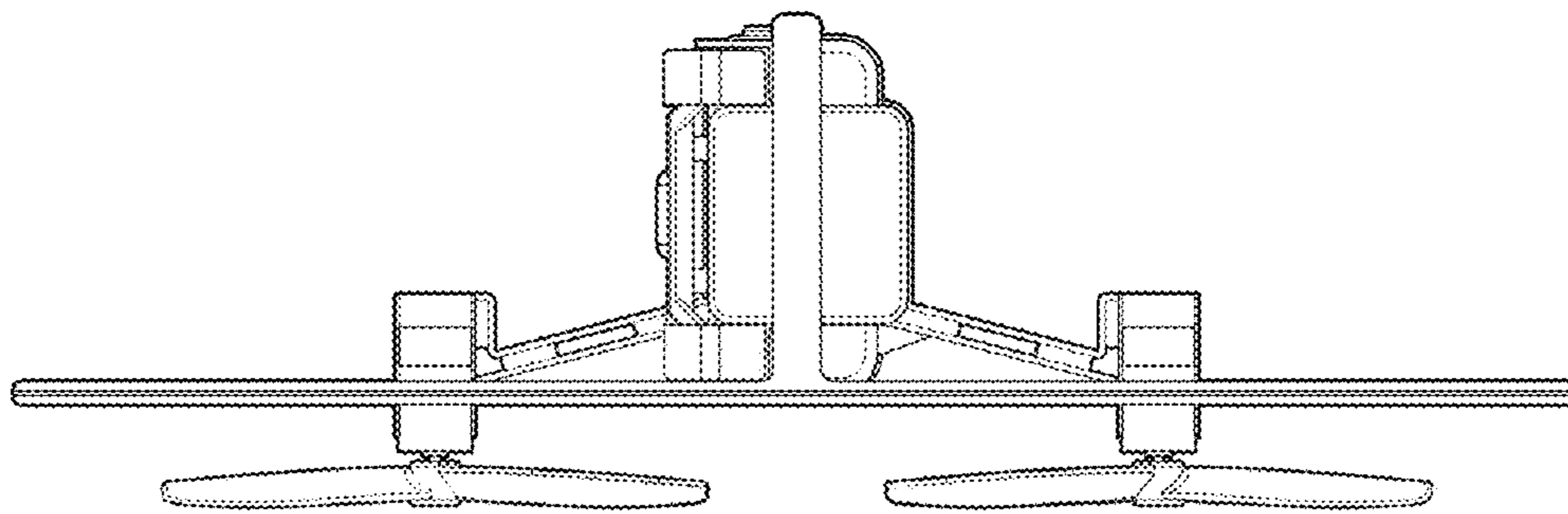


Figure 6

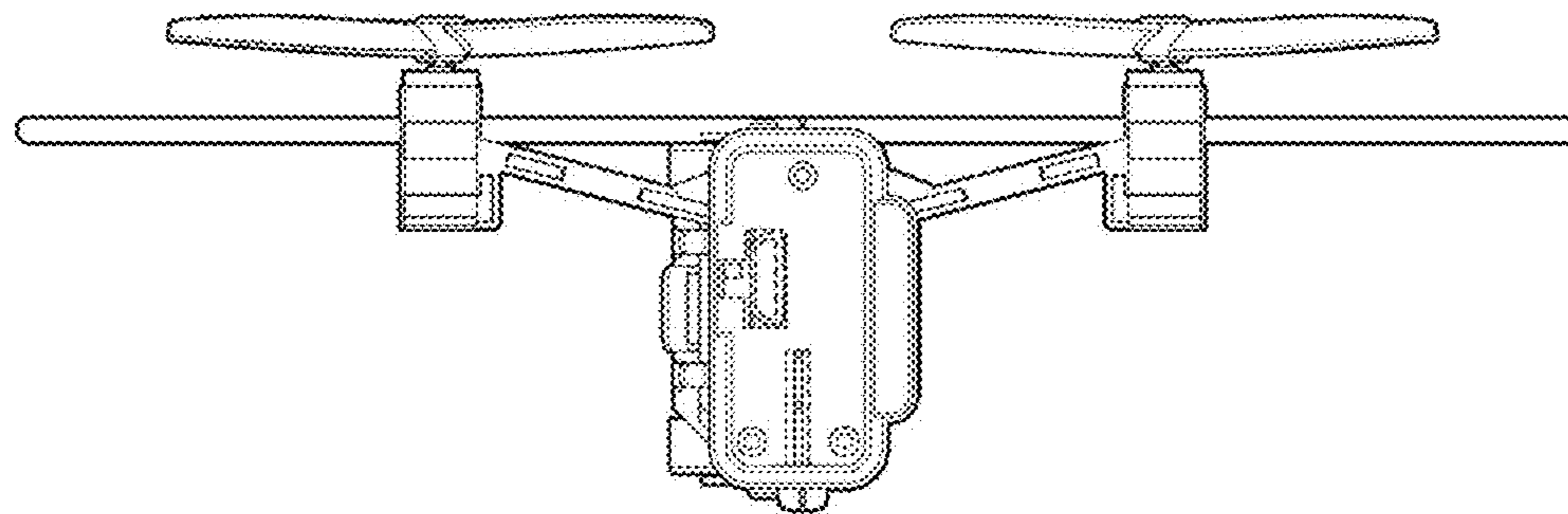


Figure 7

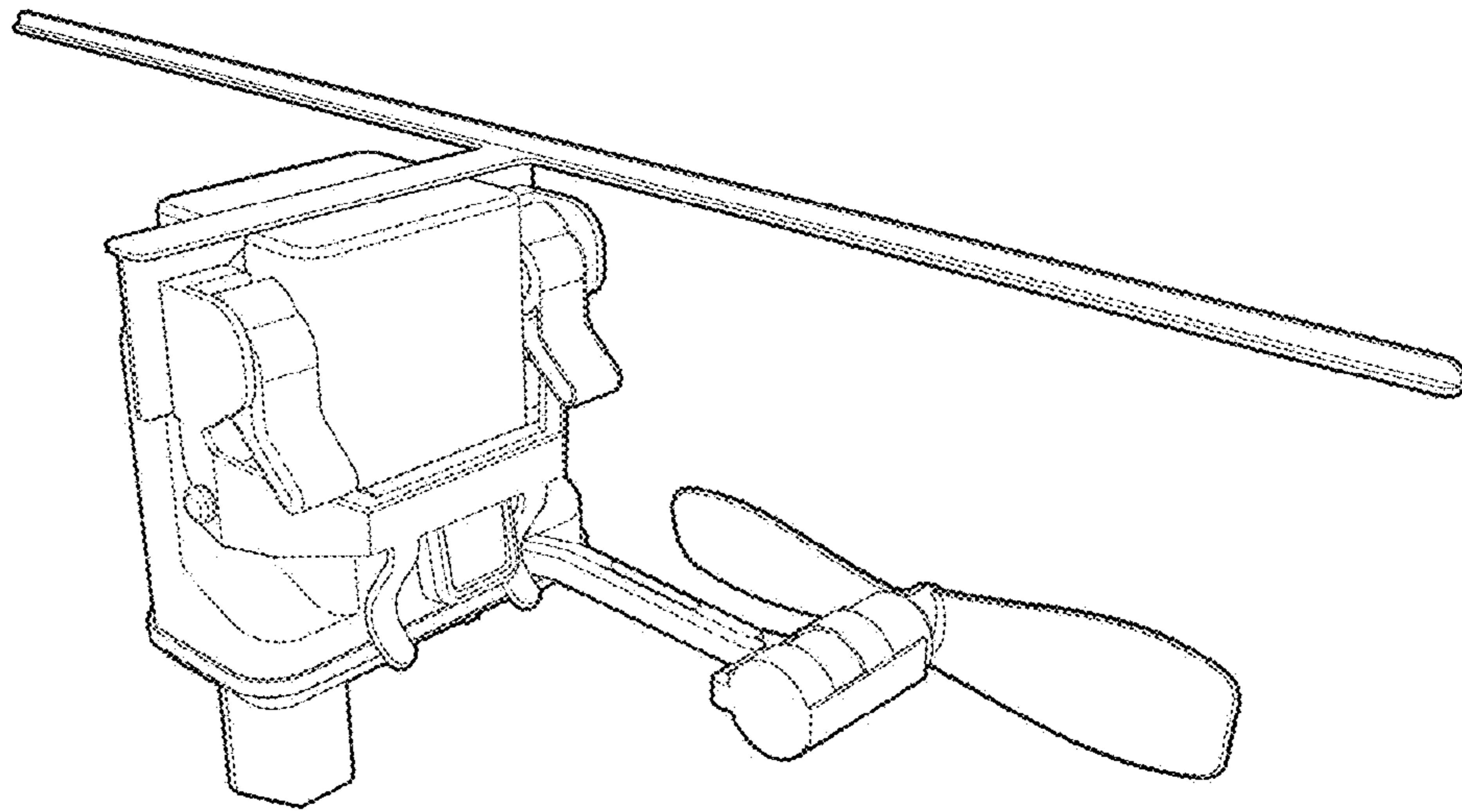


Figure 8

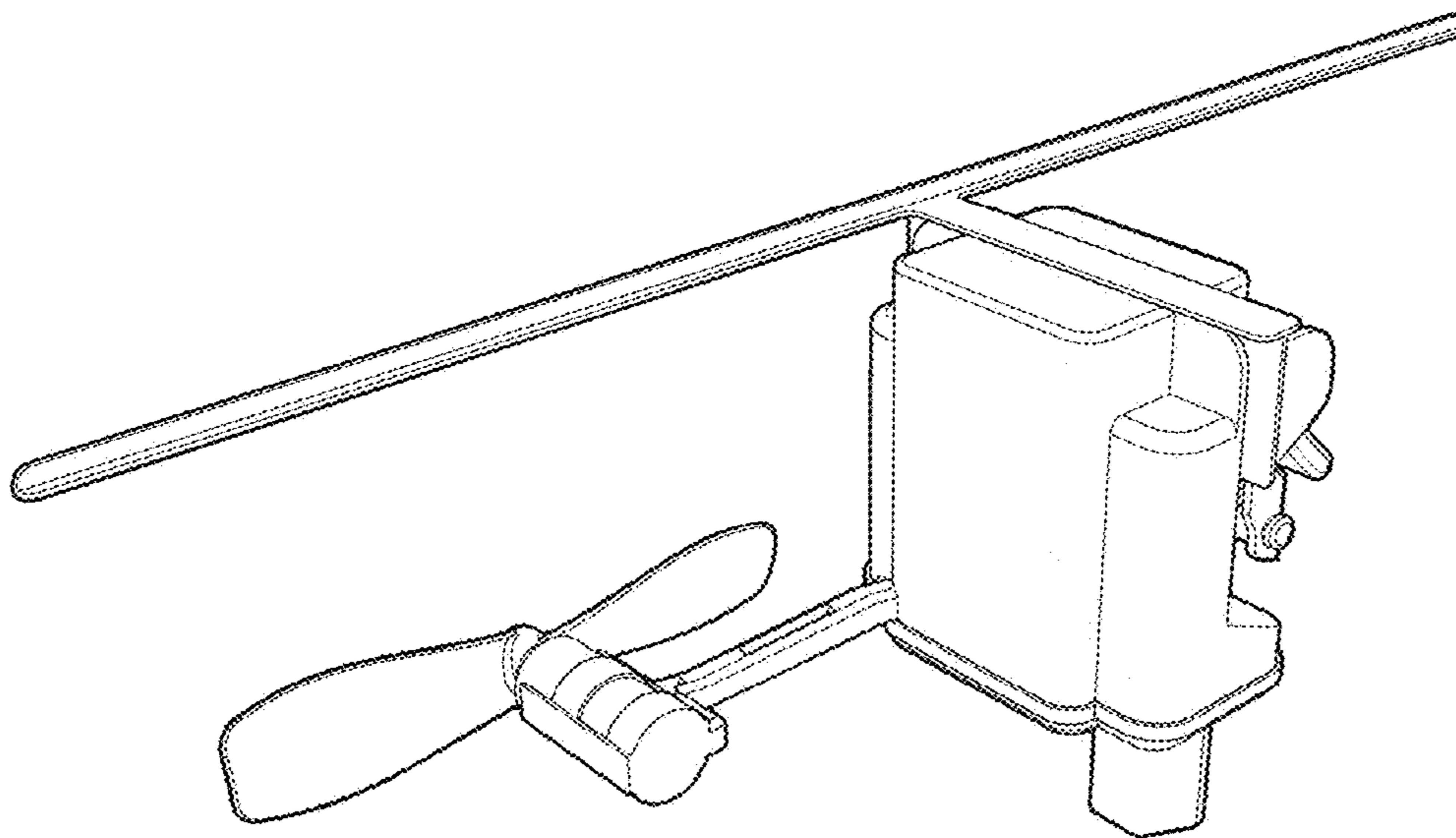


Figure 9

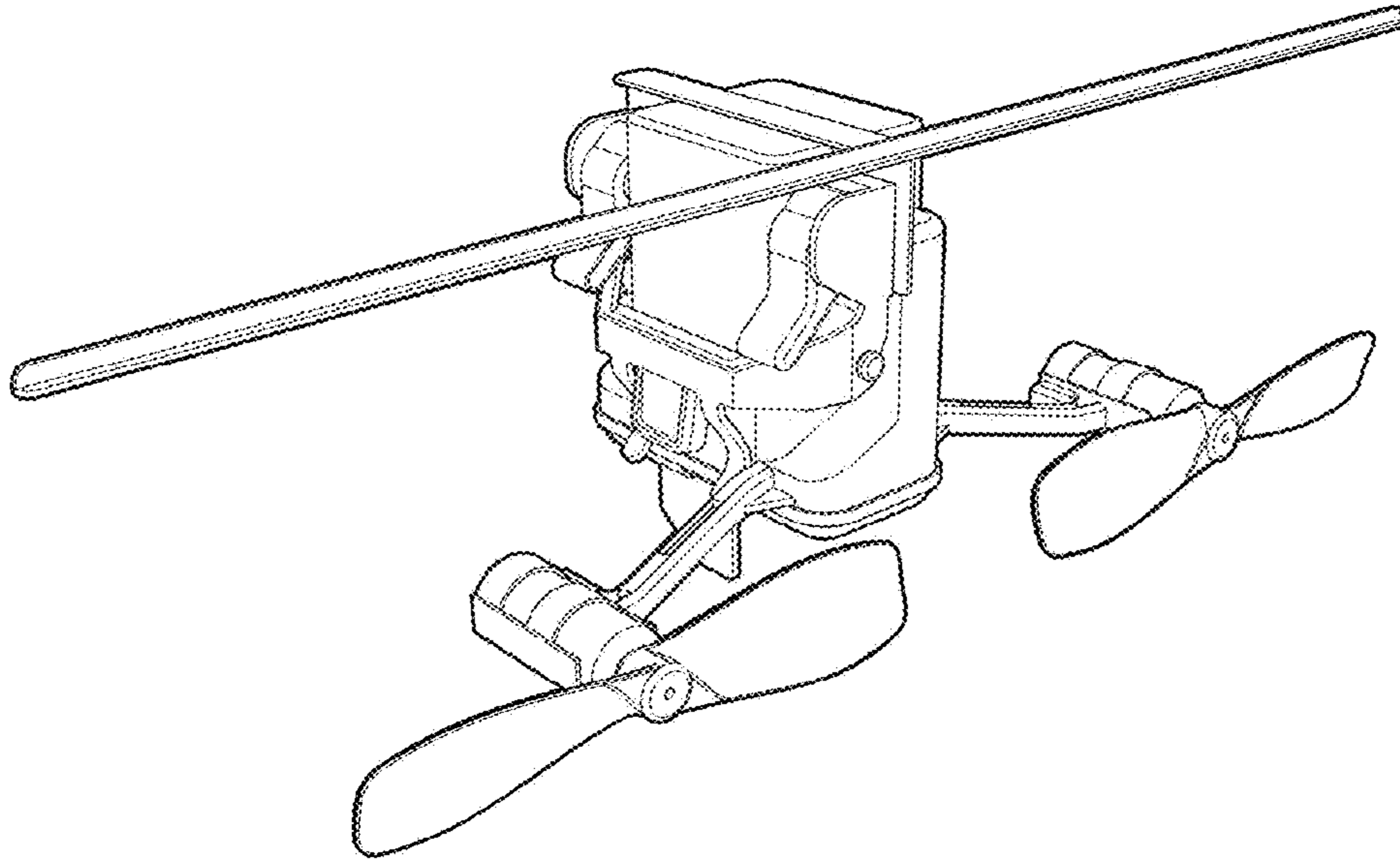


Figure 10

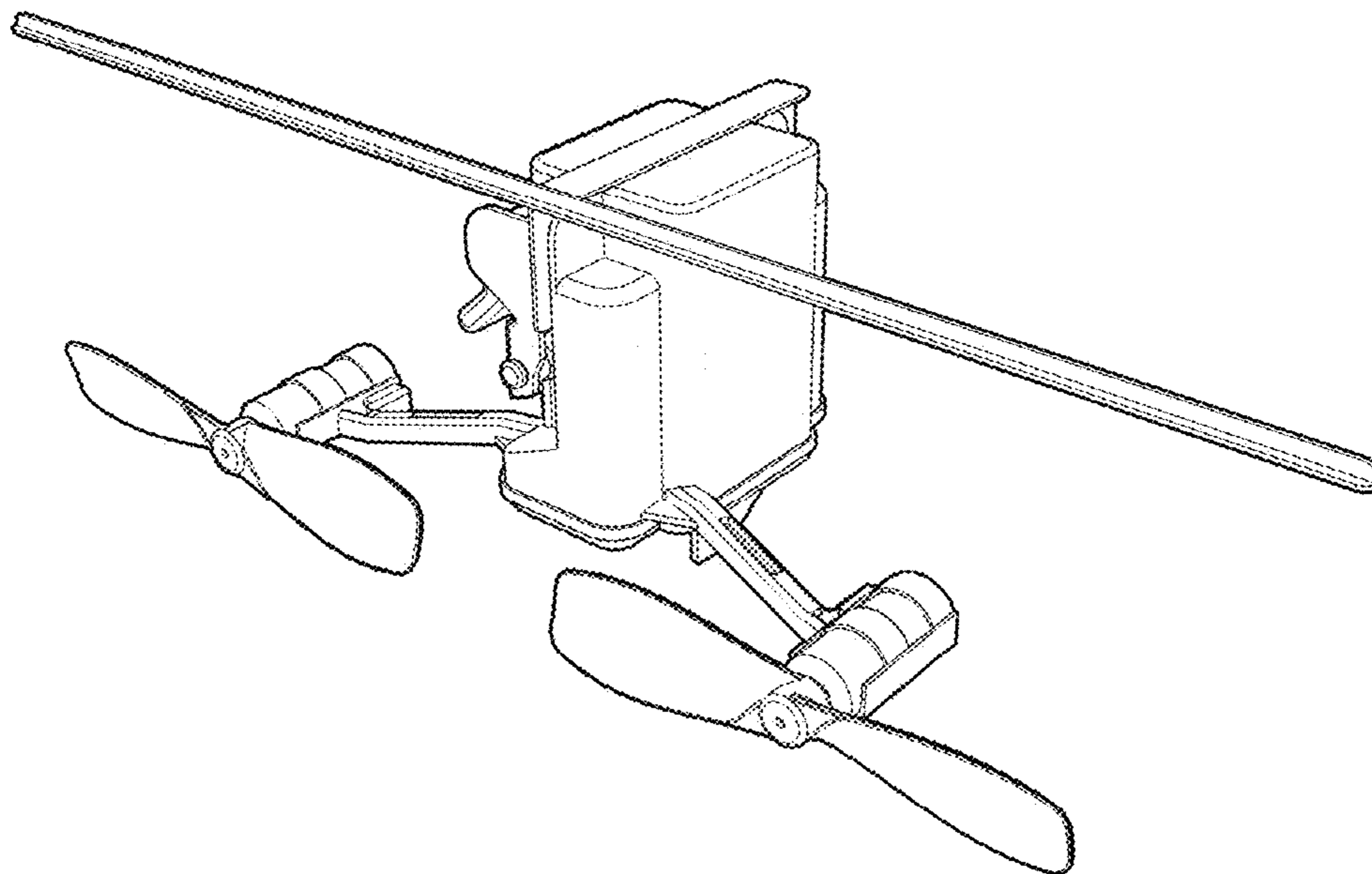


Figure 11

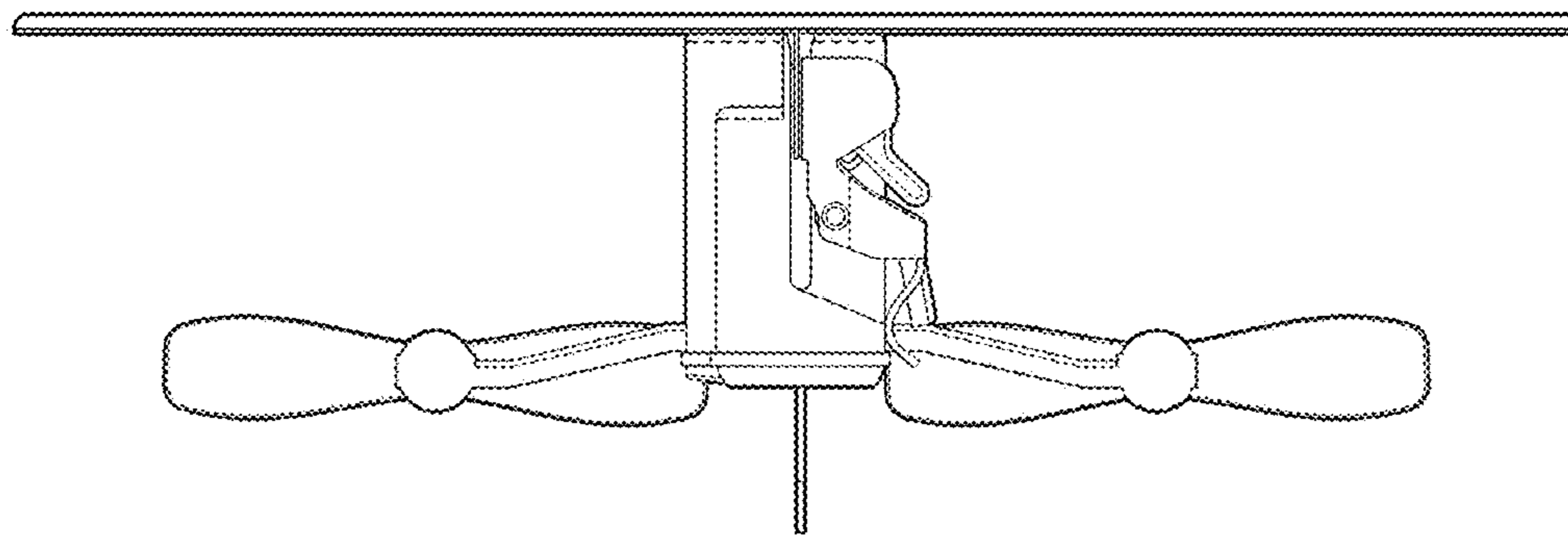




Figure 12

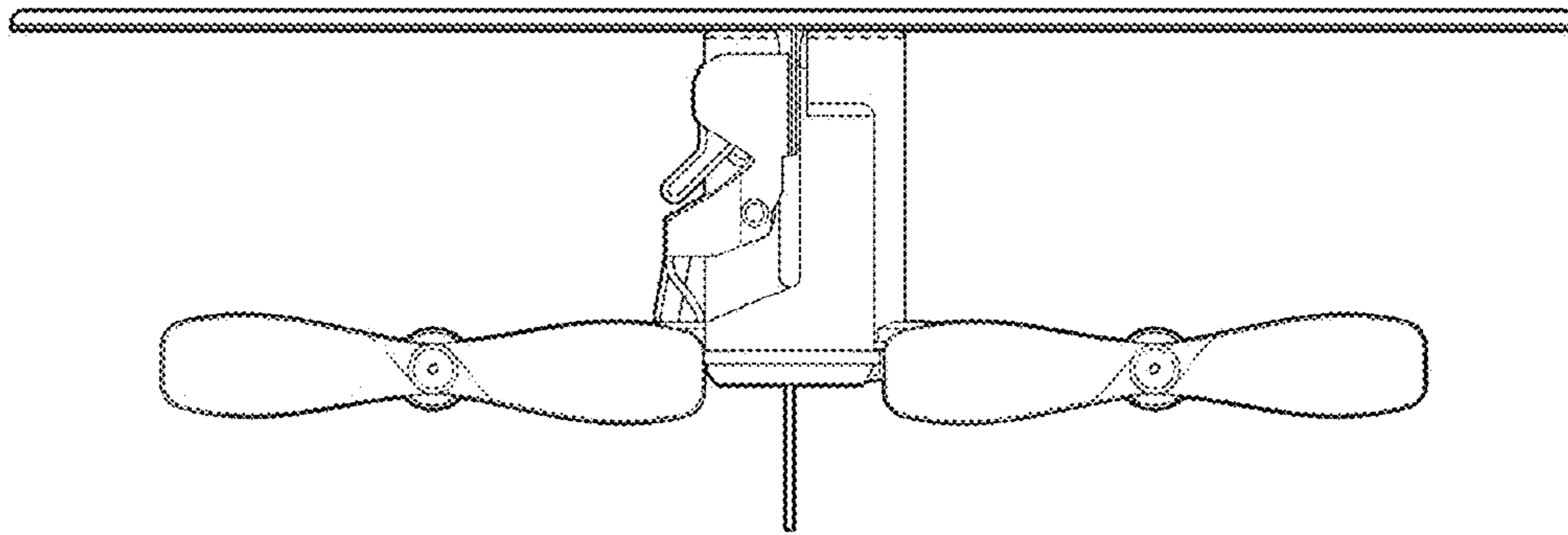


Figure 13

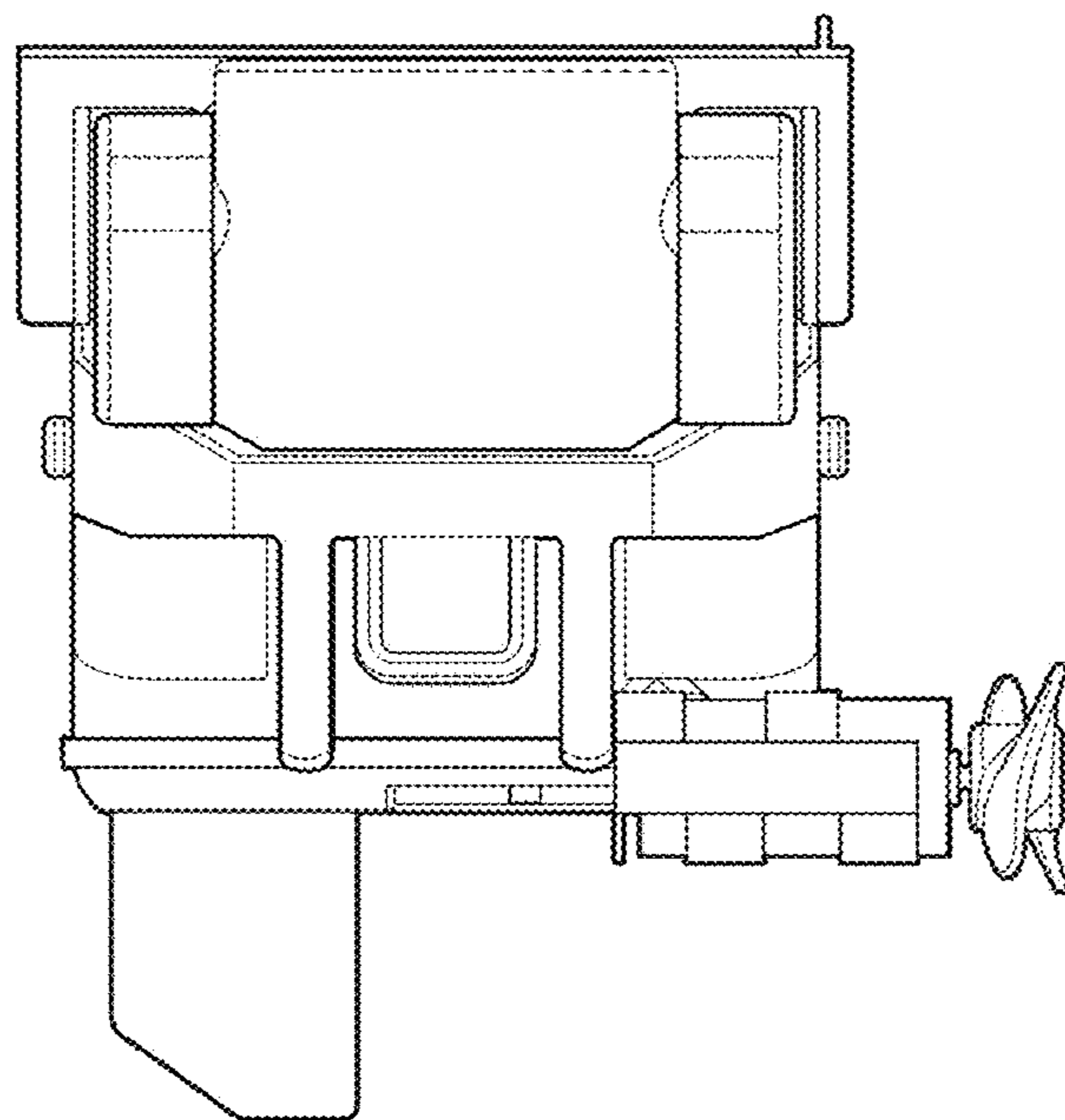


Figure 14

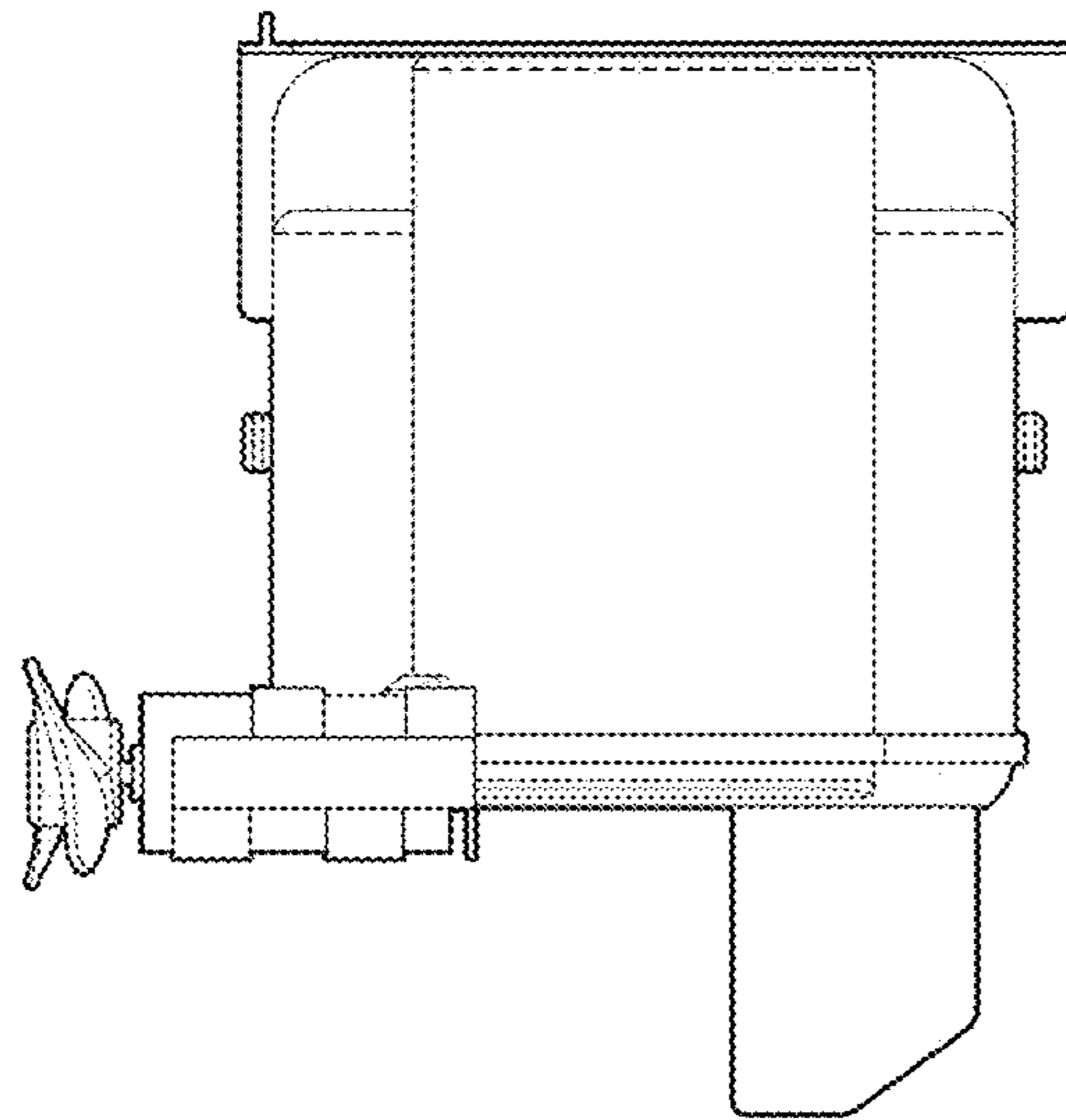


Figure 15

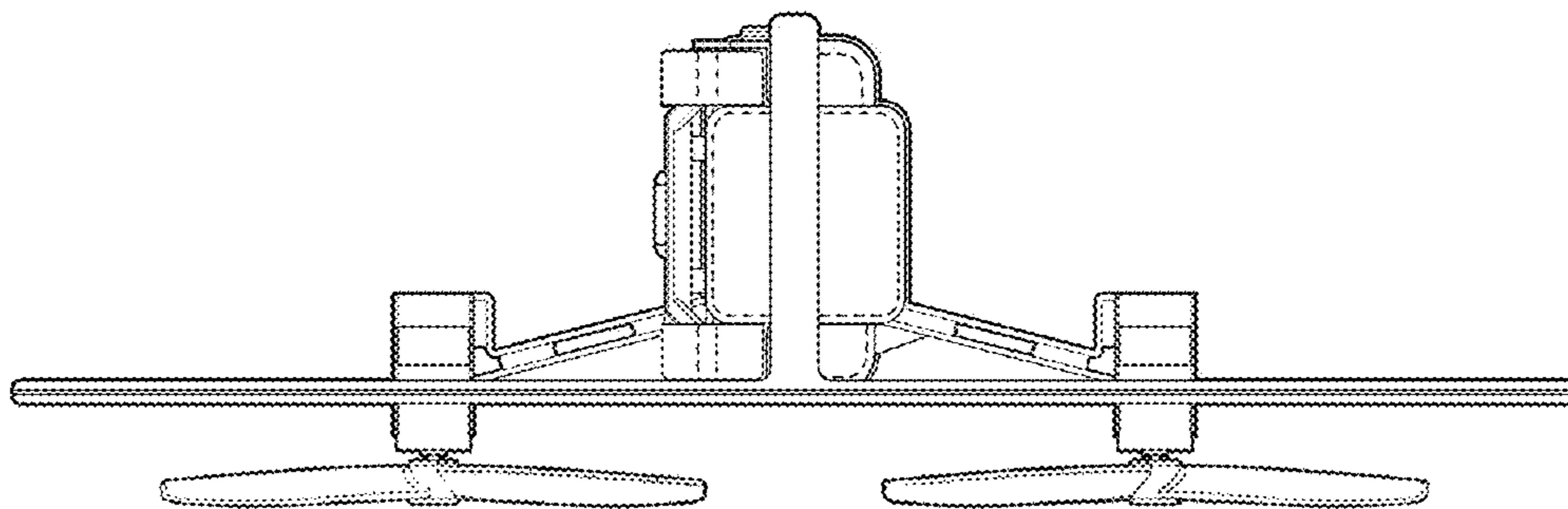


Figure 16

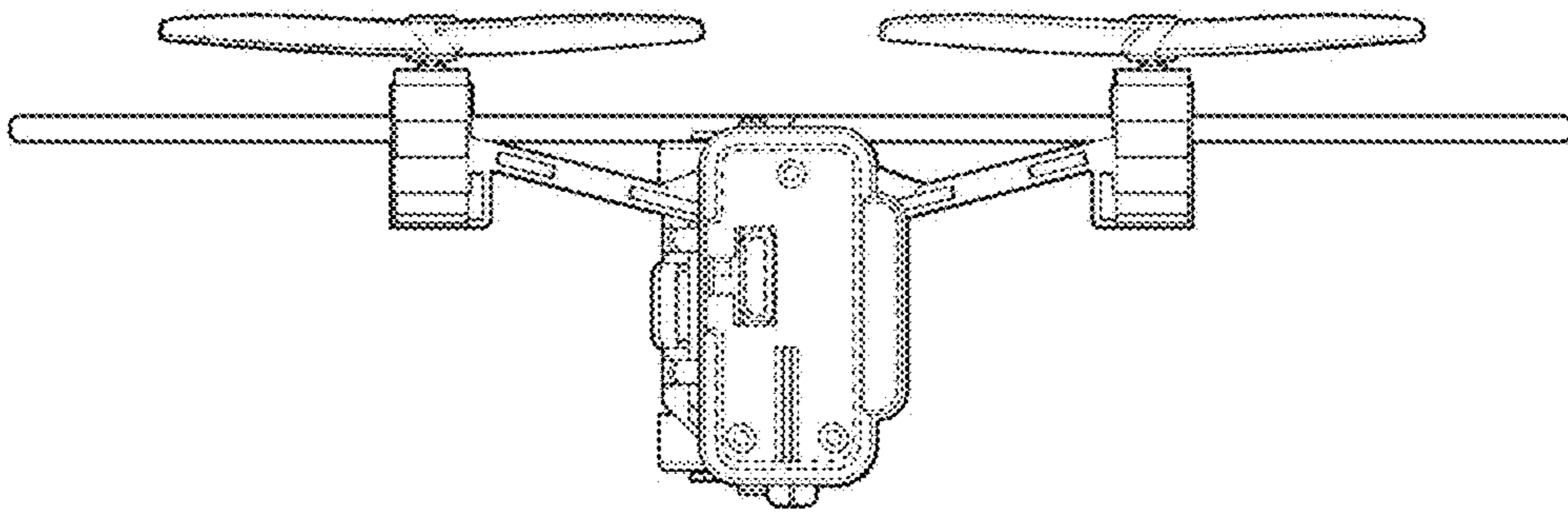


Figure 17

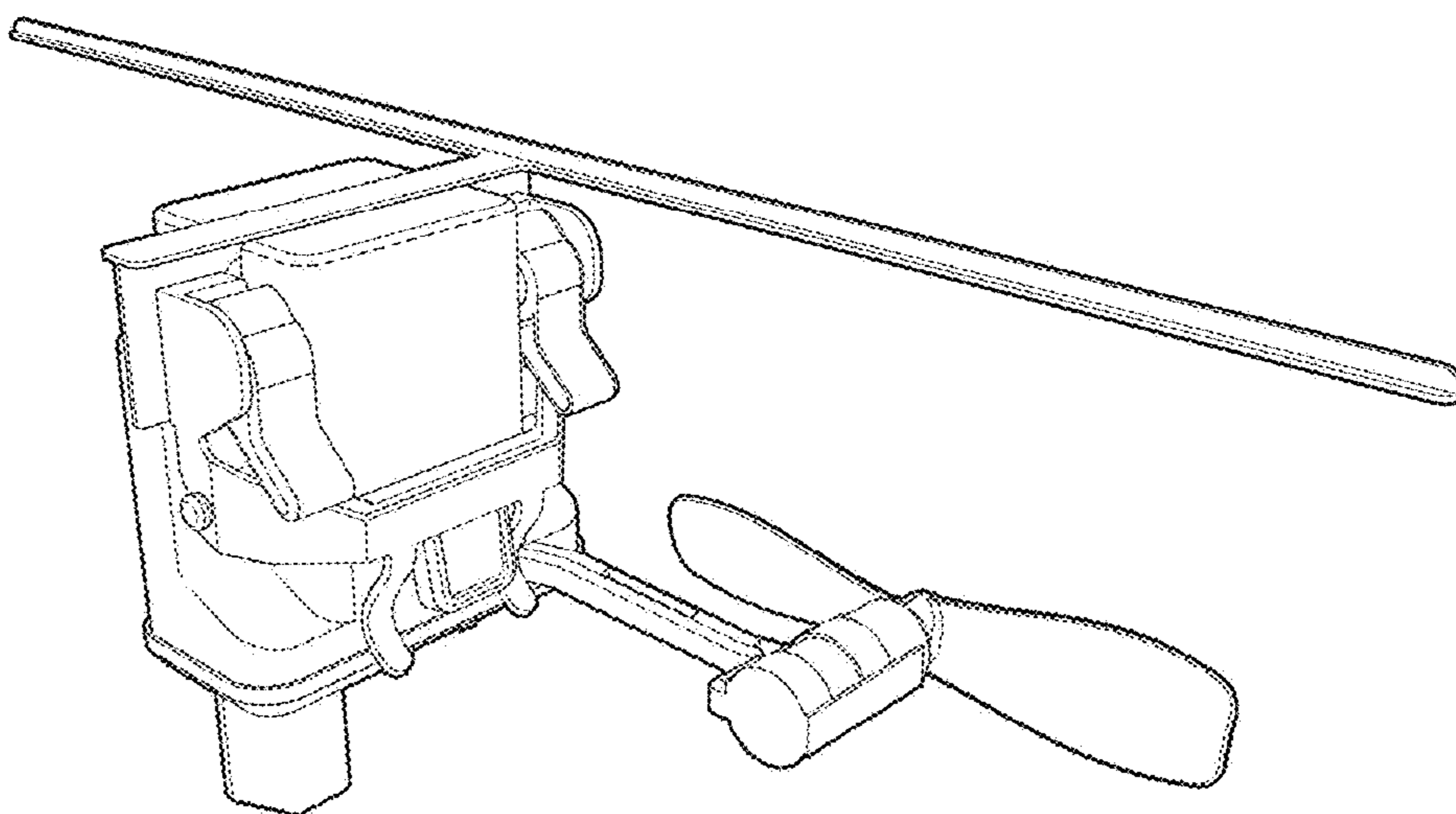


Figure 18

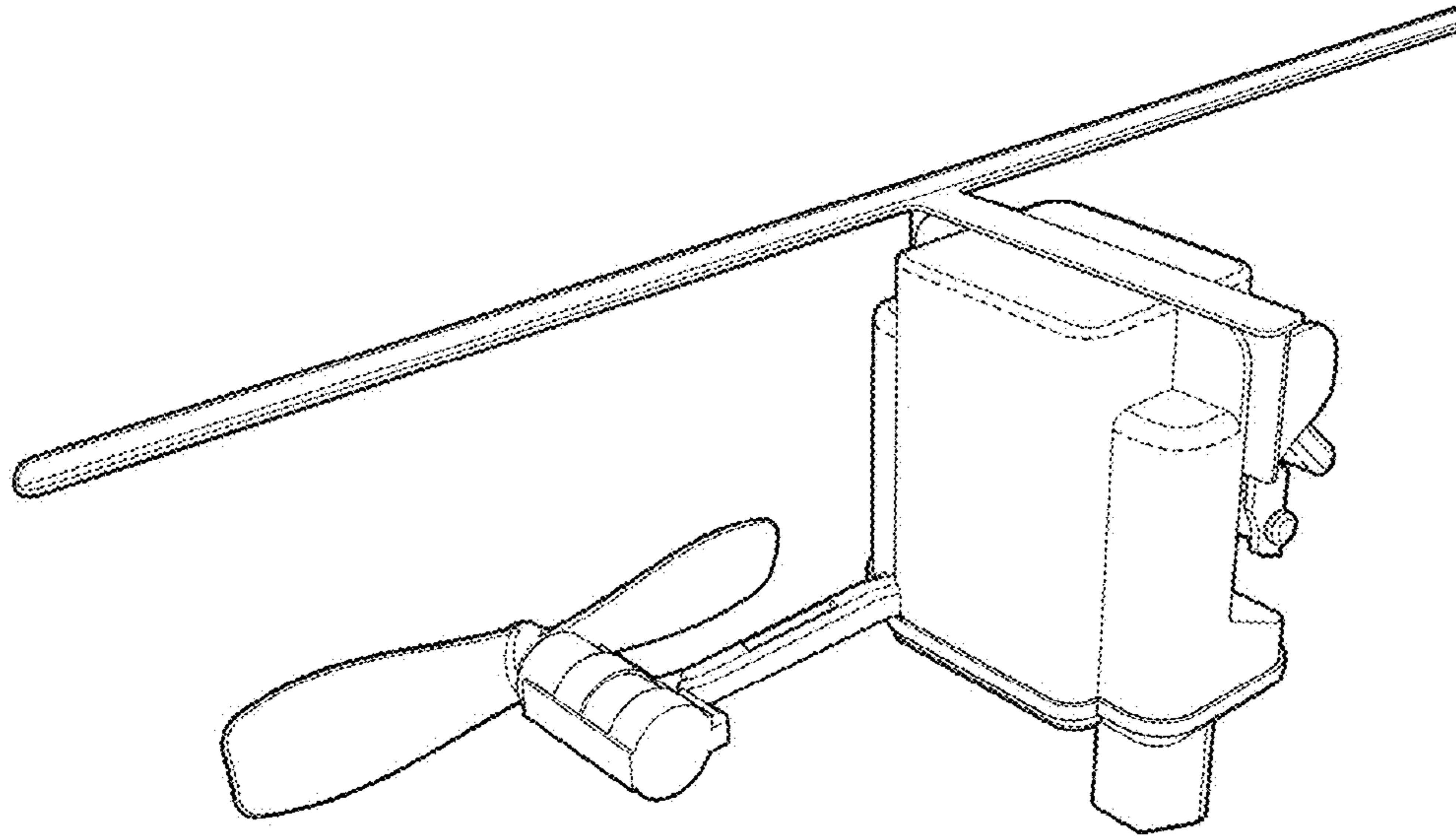


Figure 19

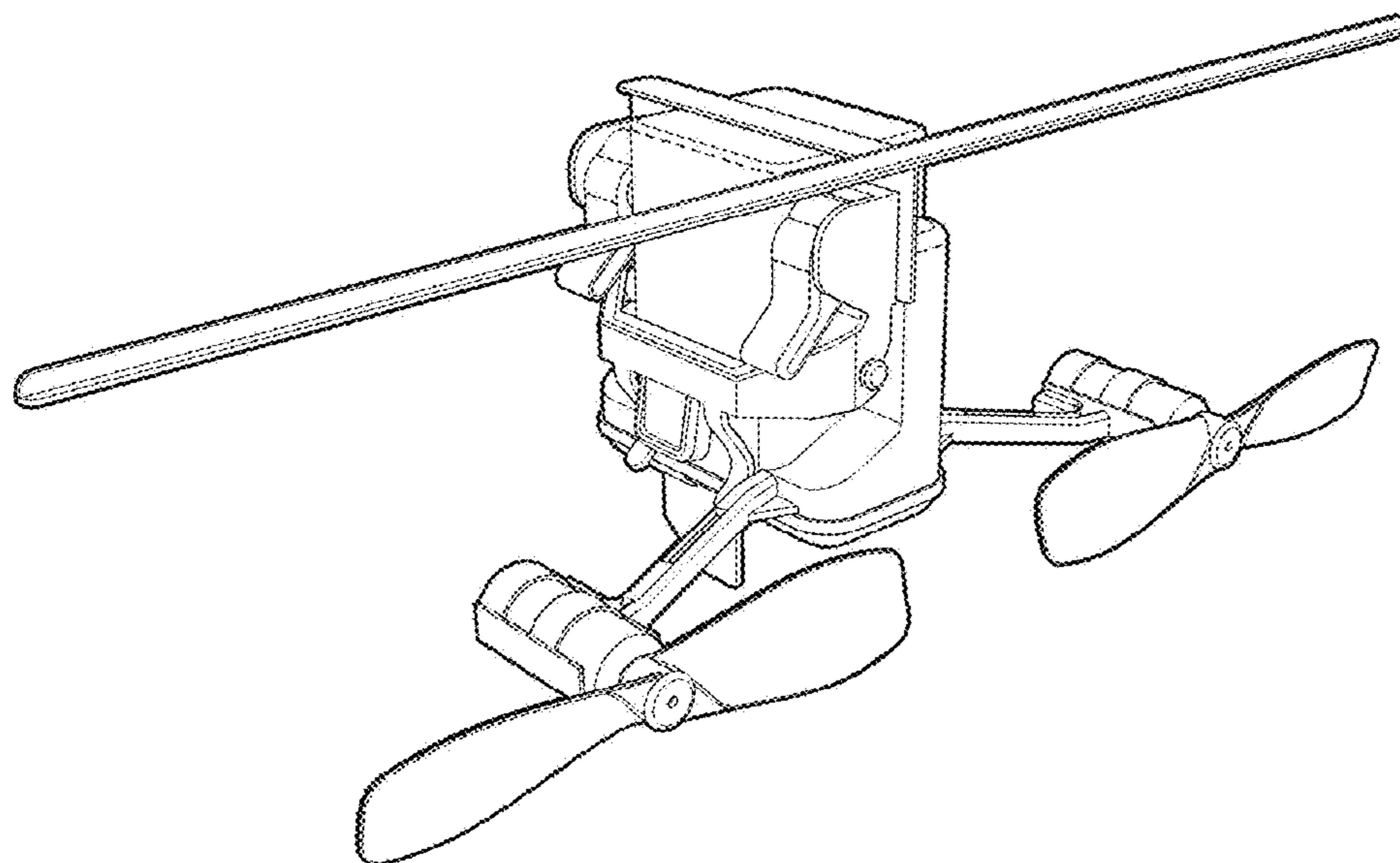


Figure 20

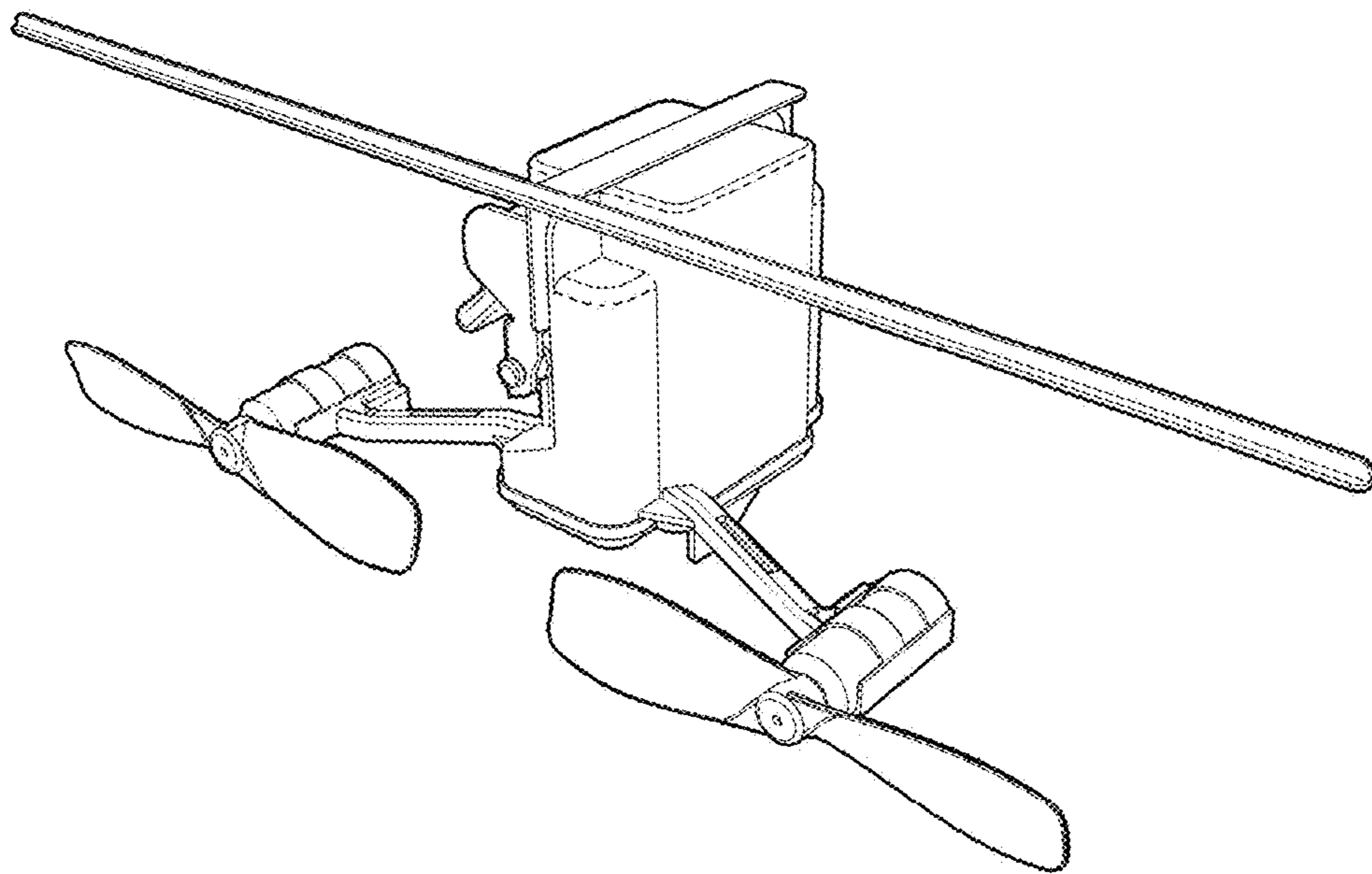


Figure 21

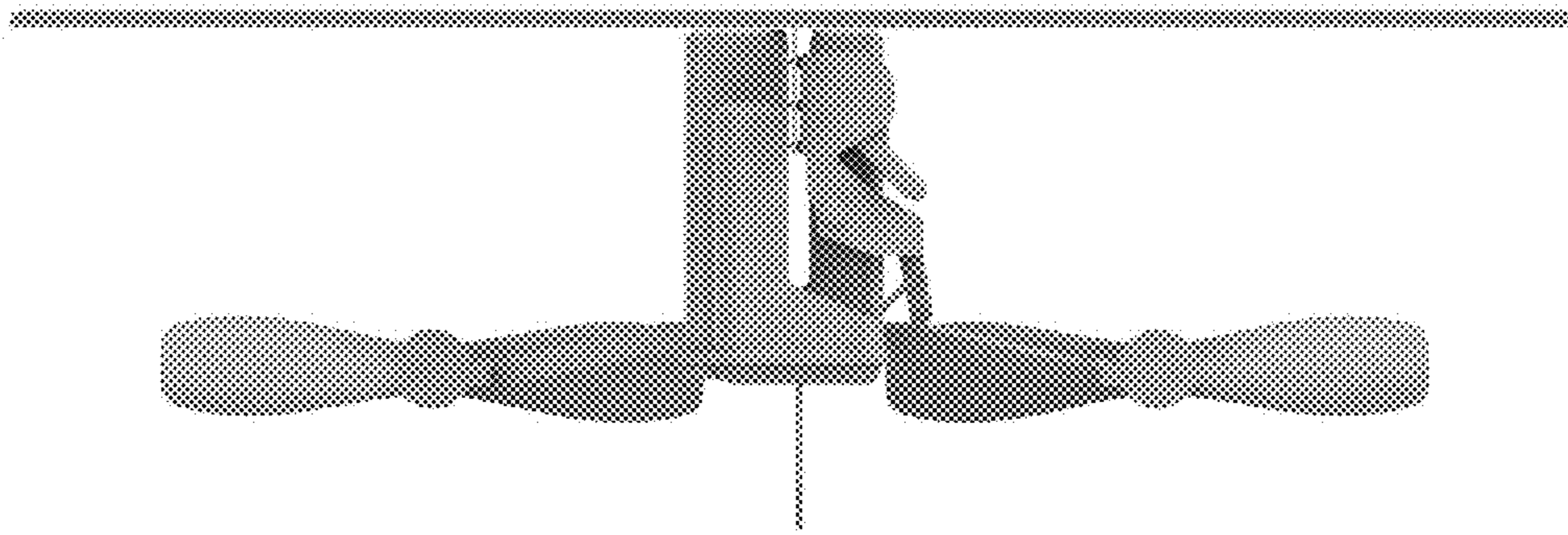
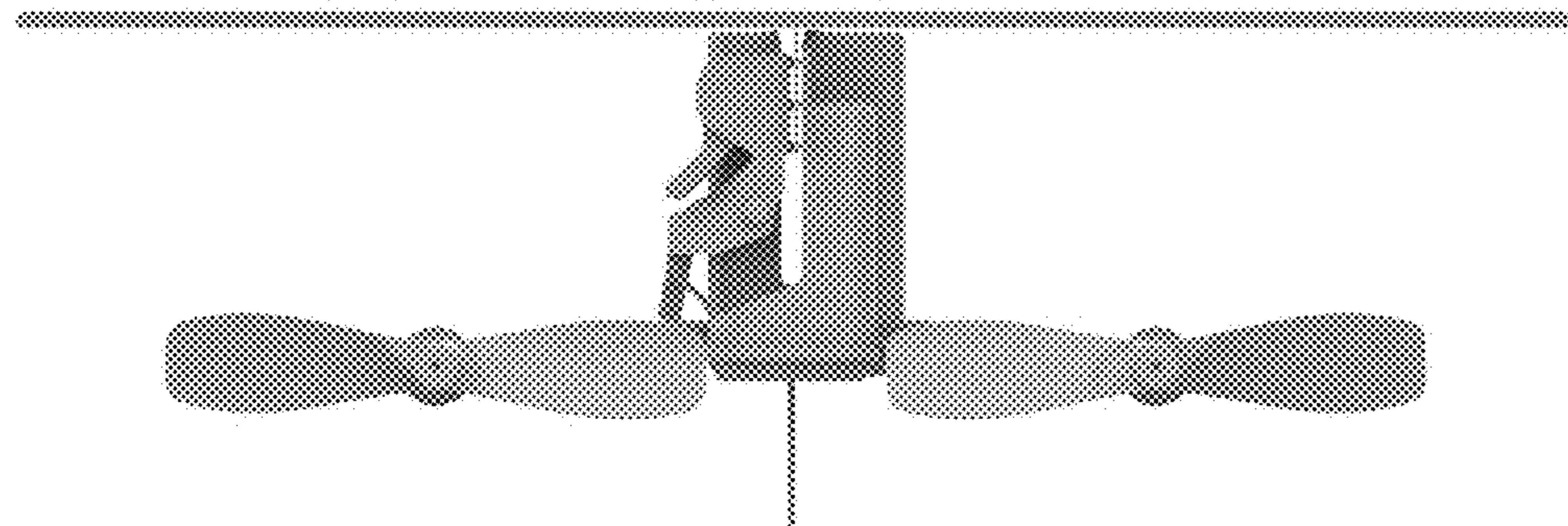
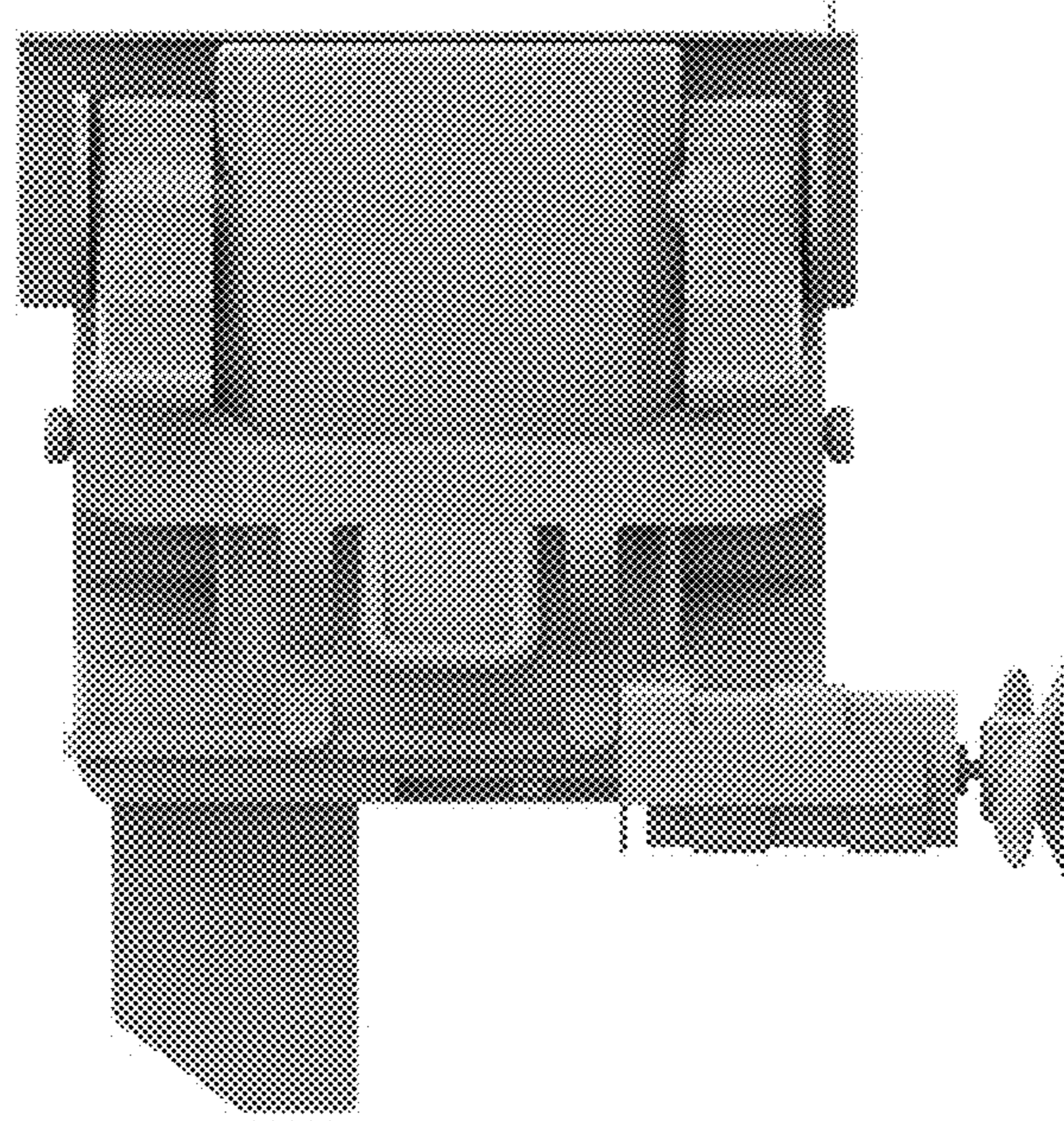


Figure 22



**Figure 23**



**Figure 24**

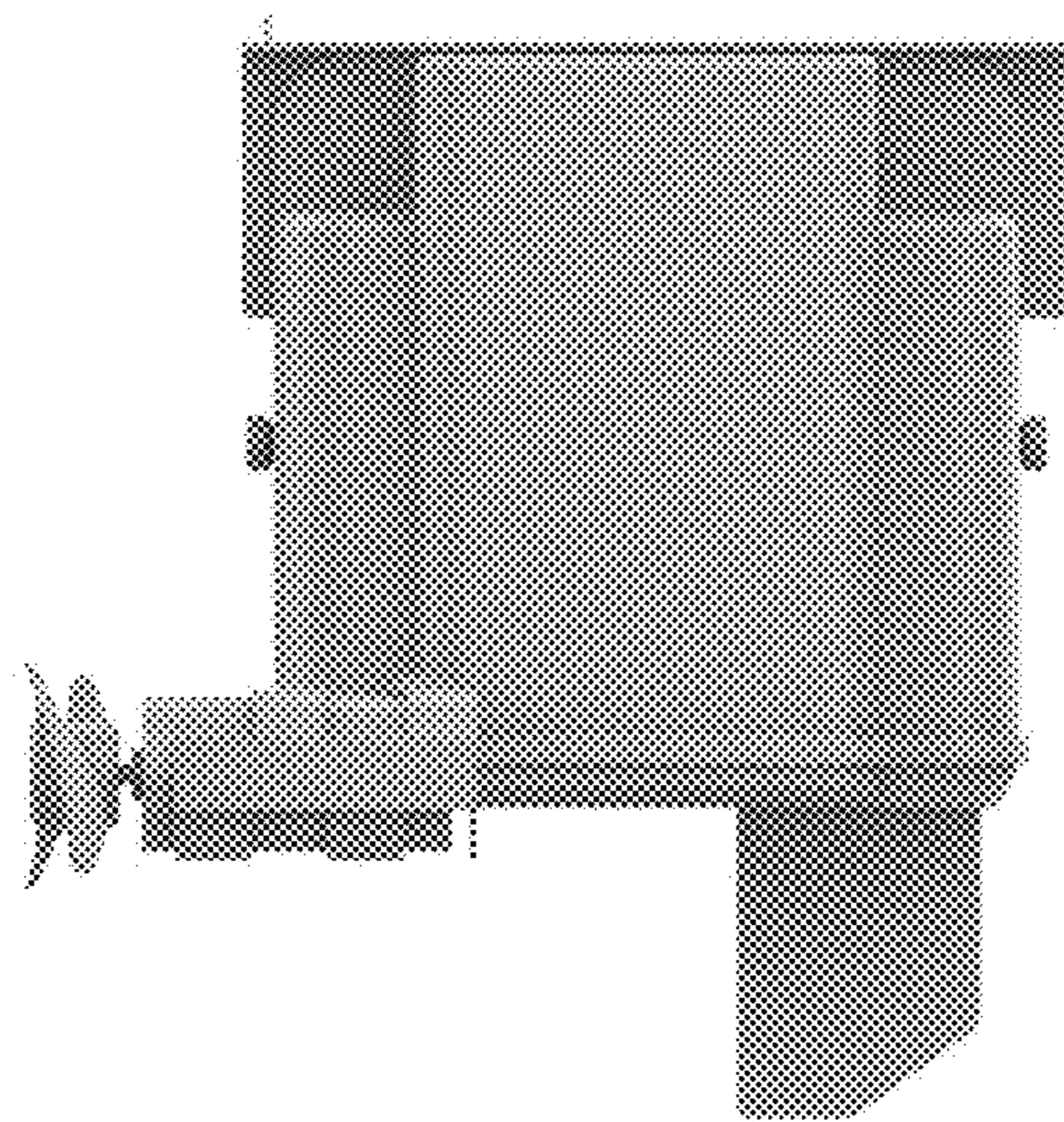


Figure 25

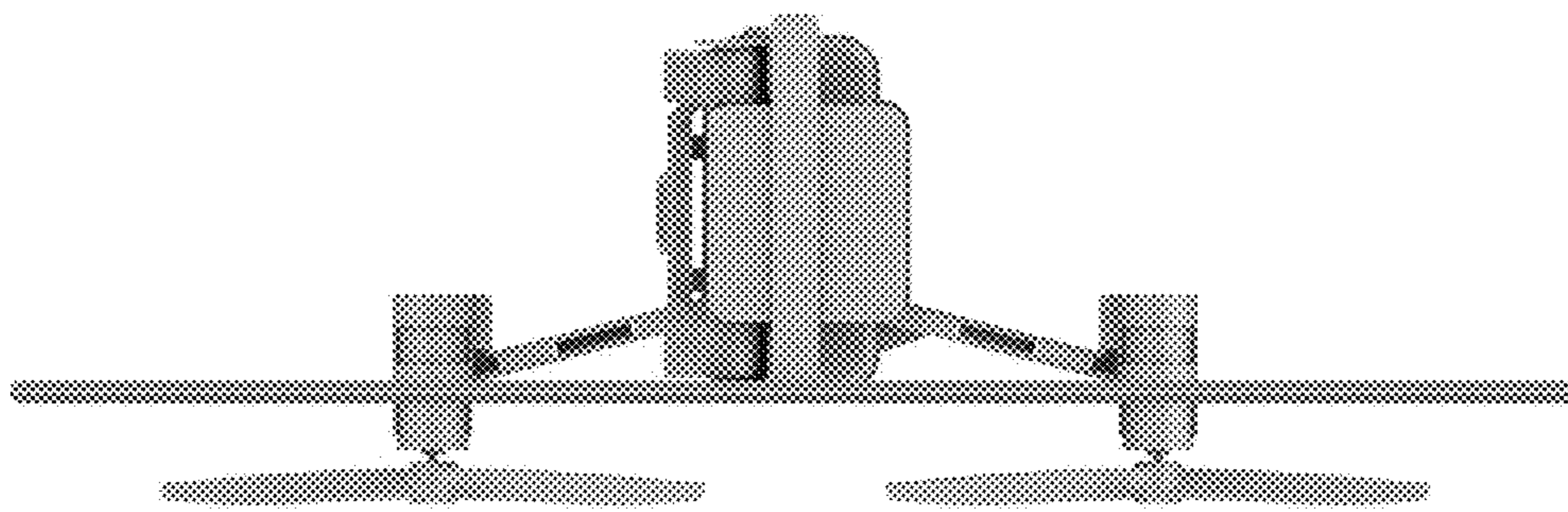


Figure 26

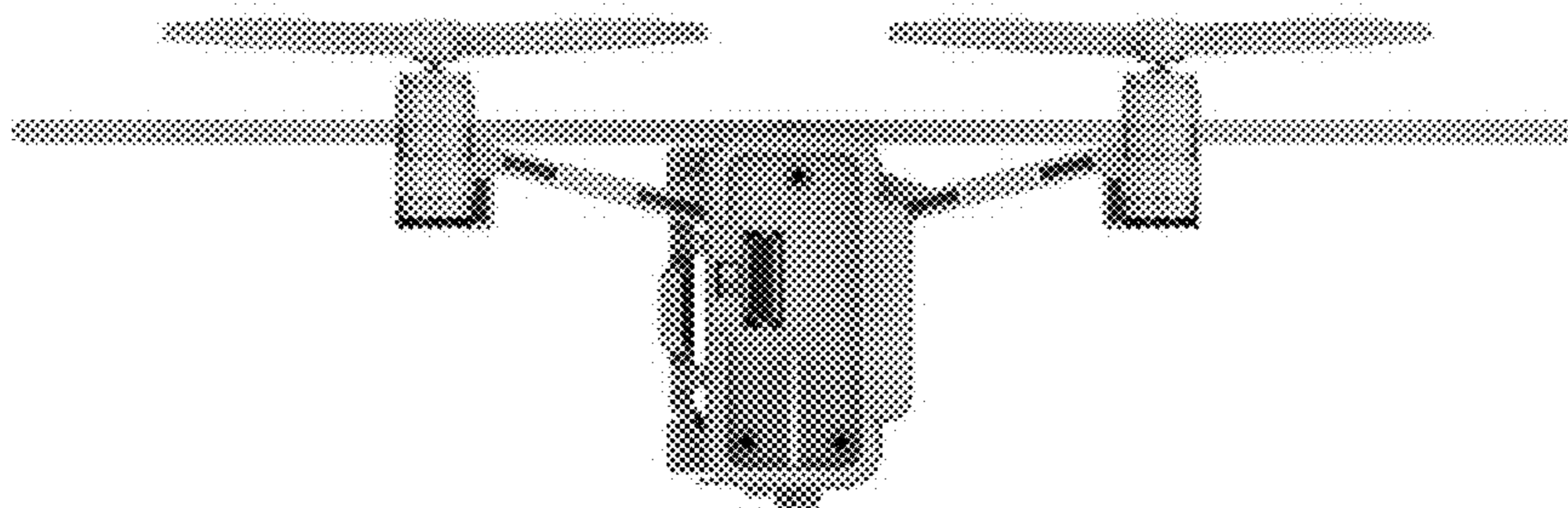




Figure 27

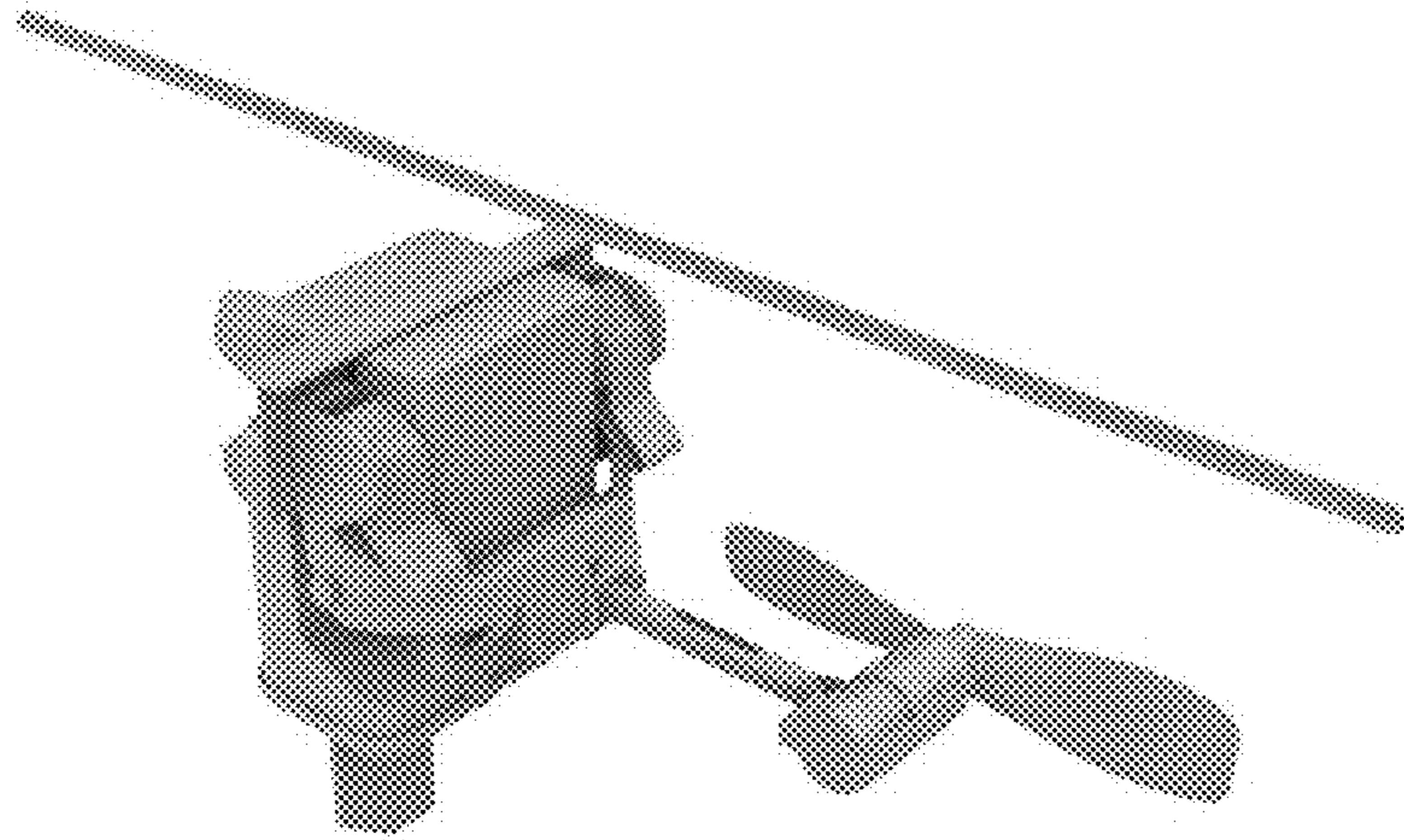


Figure 28

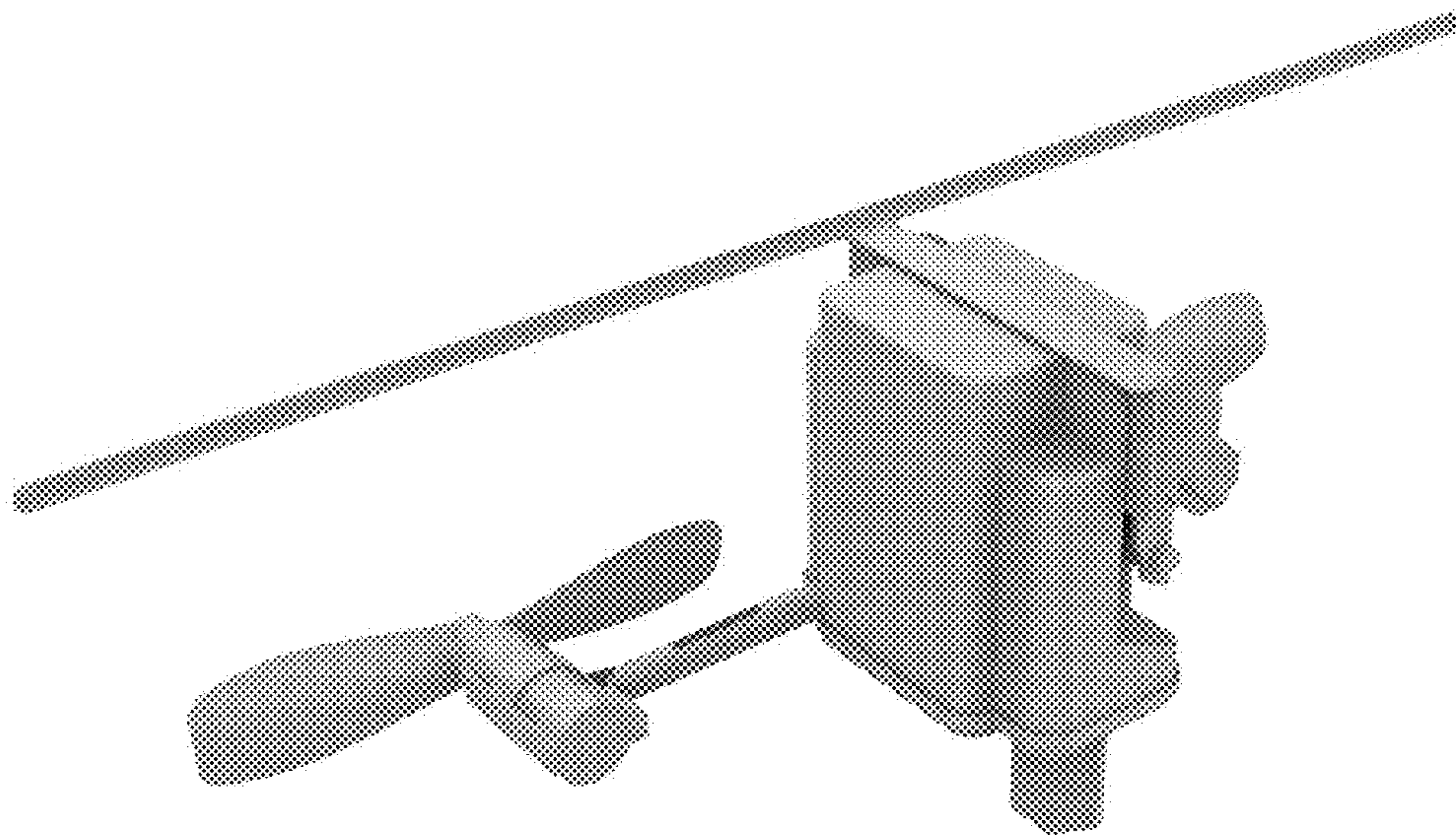


Figure 29

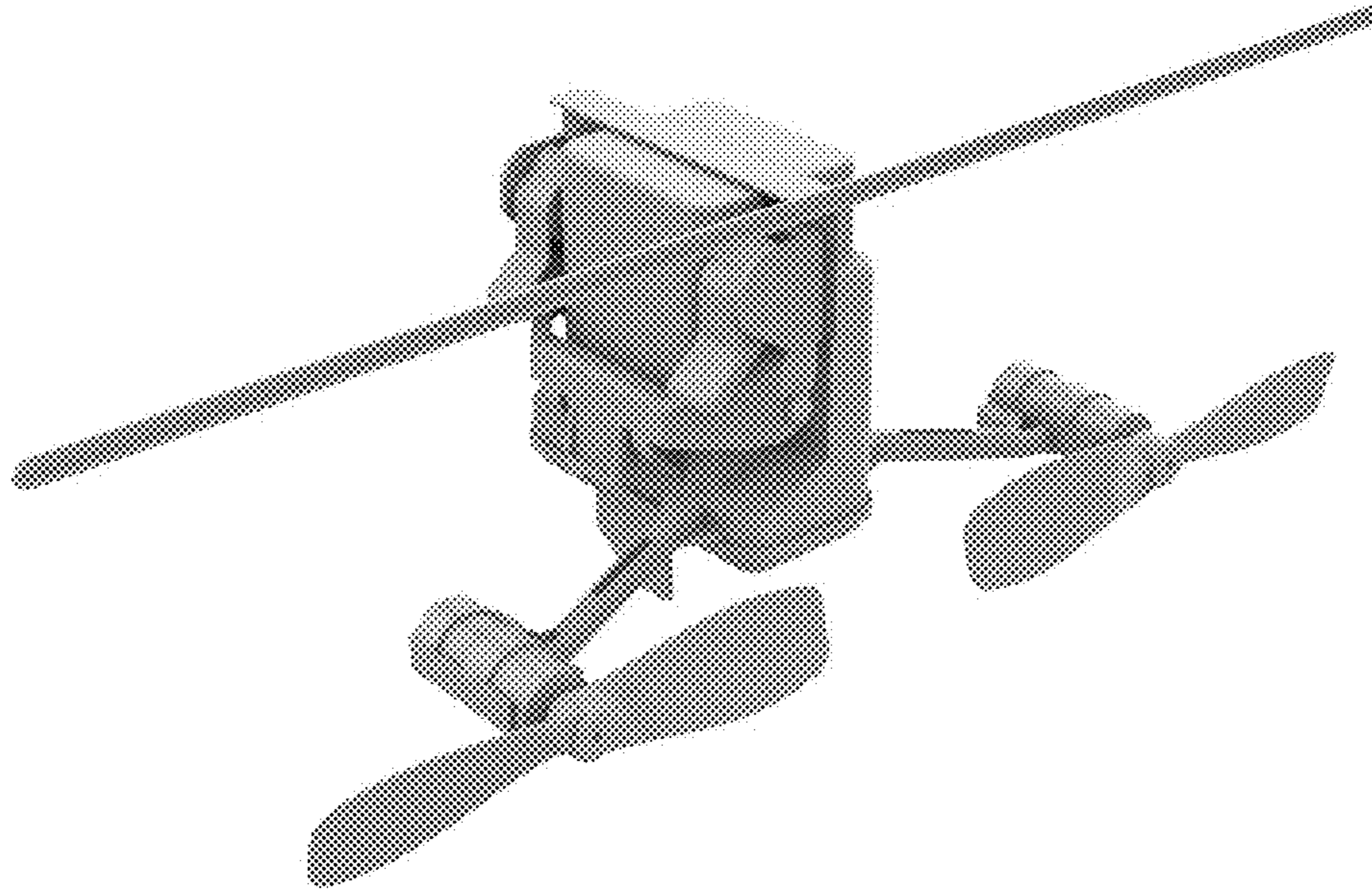
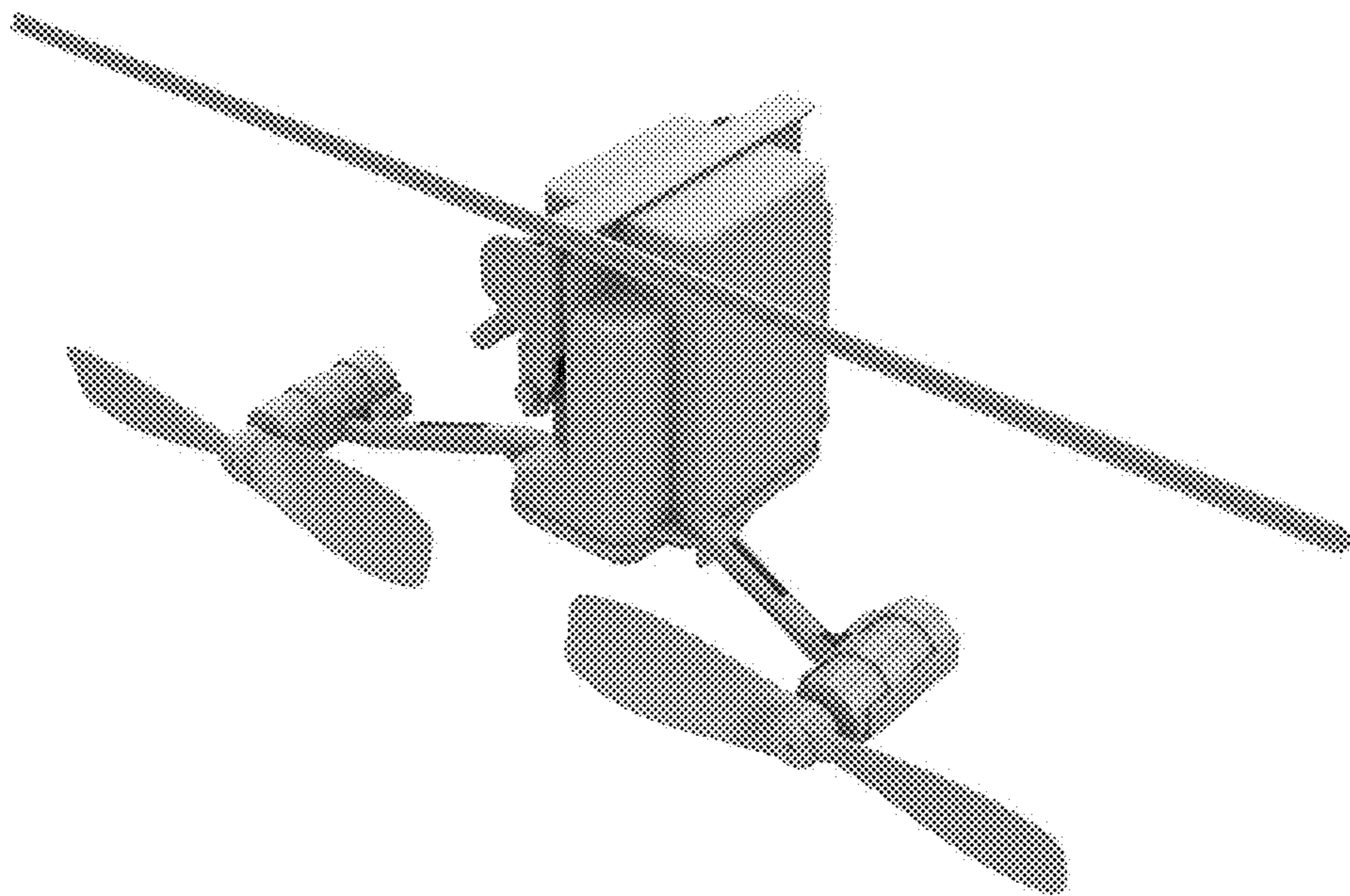
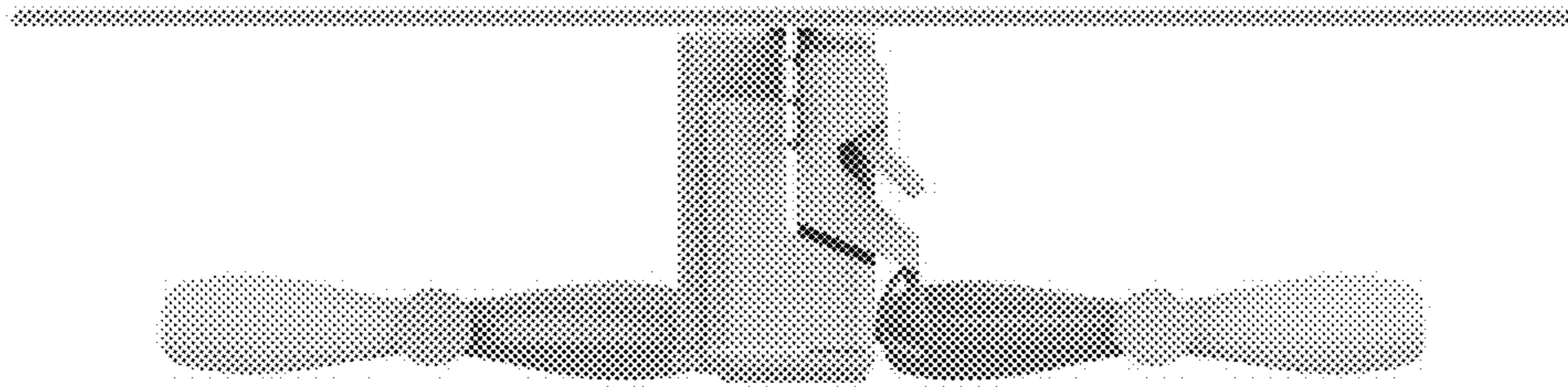


Figure 30



**Figure 31**



**Figure 32**

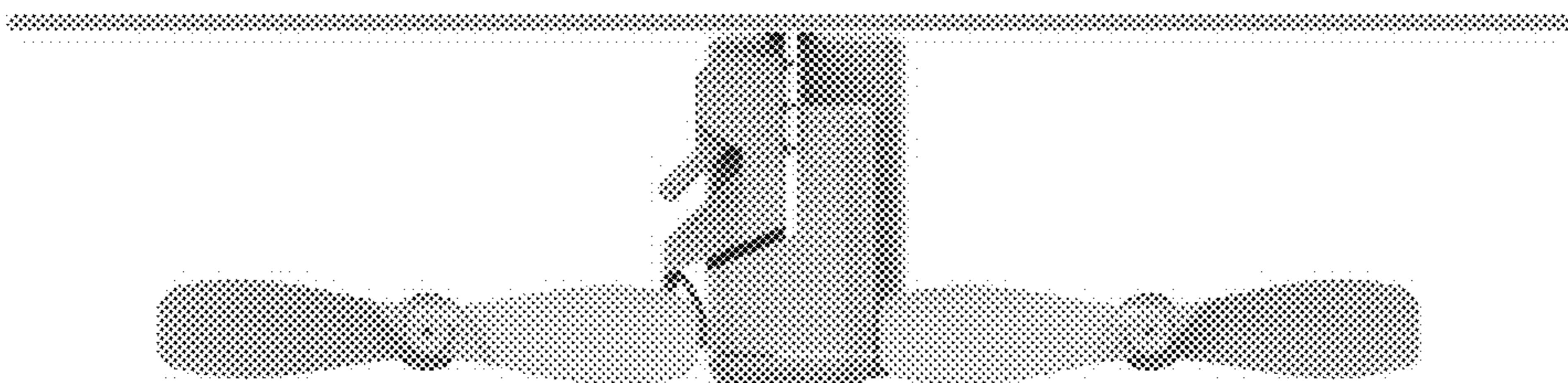


Figure 33

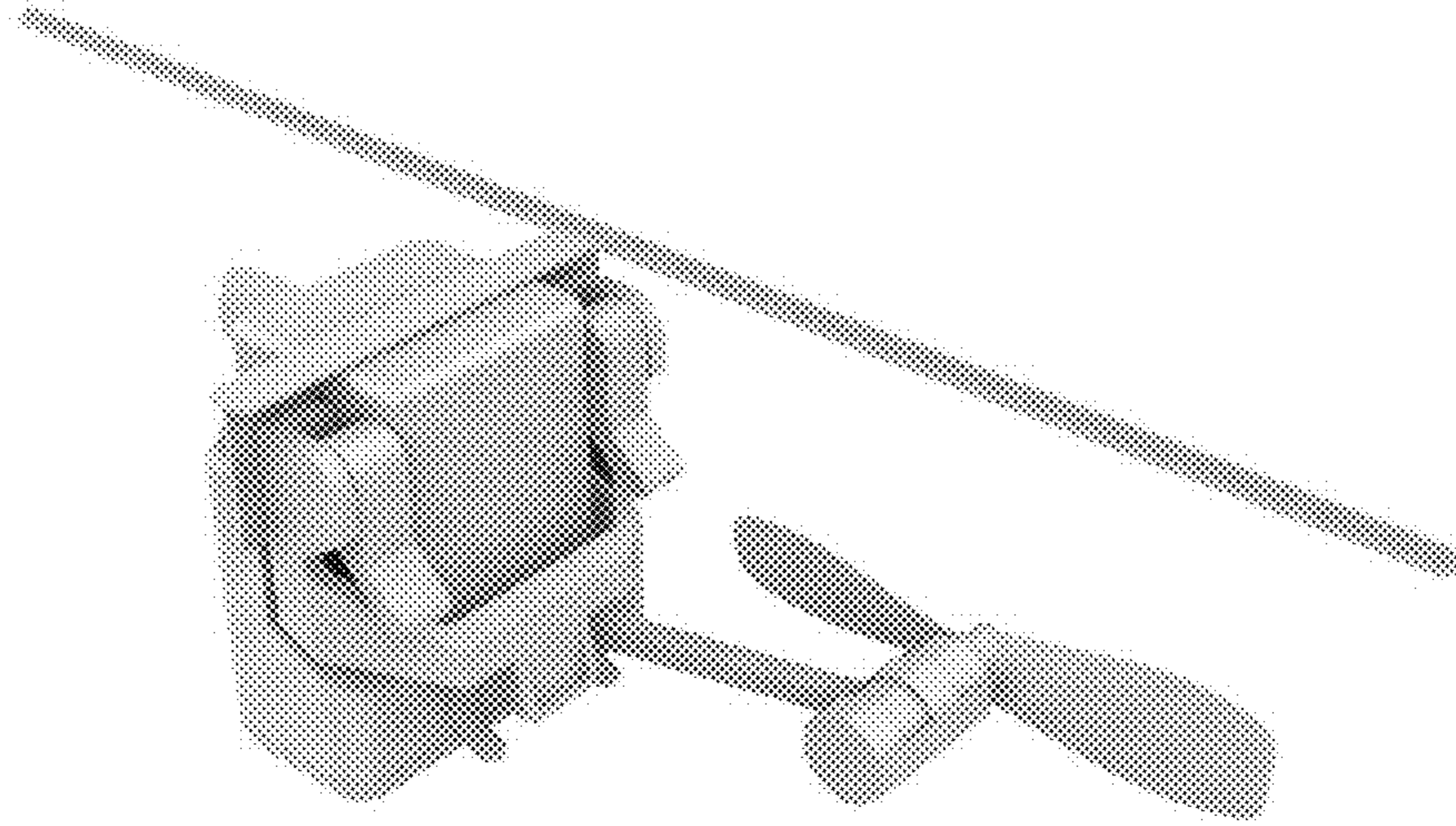


Figure 34

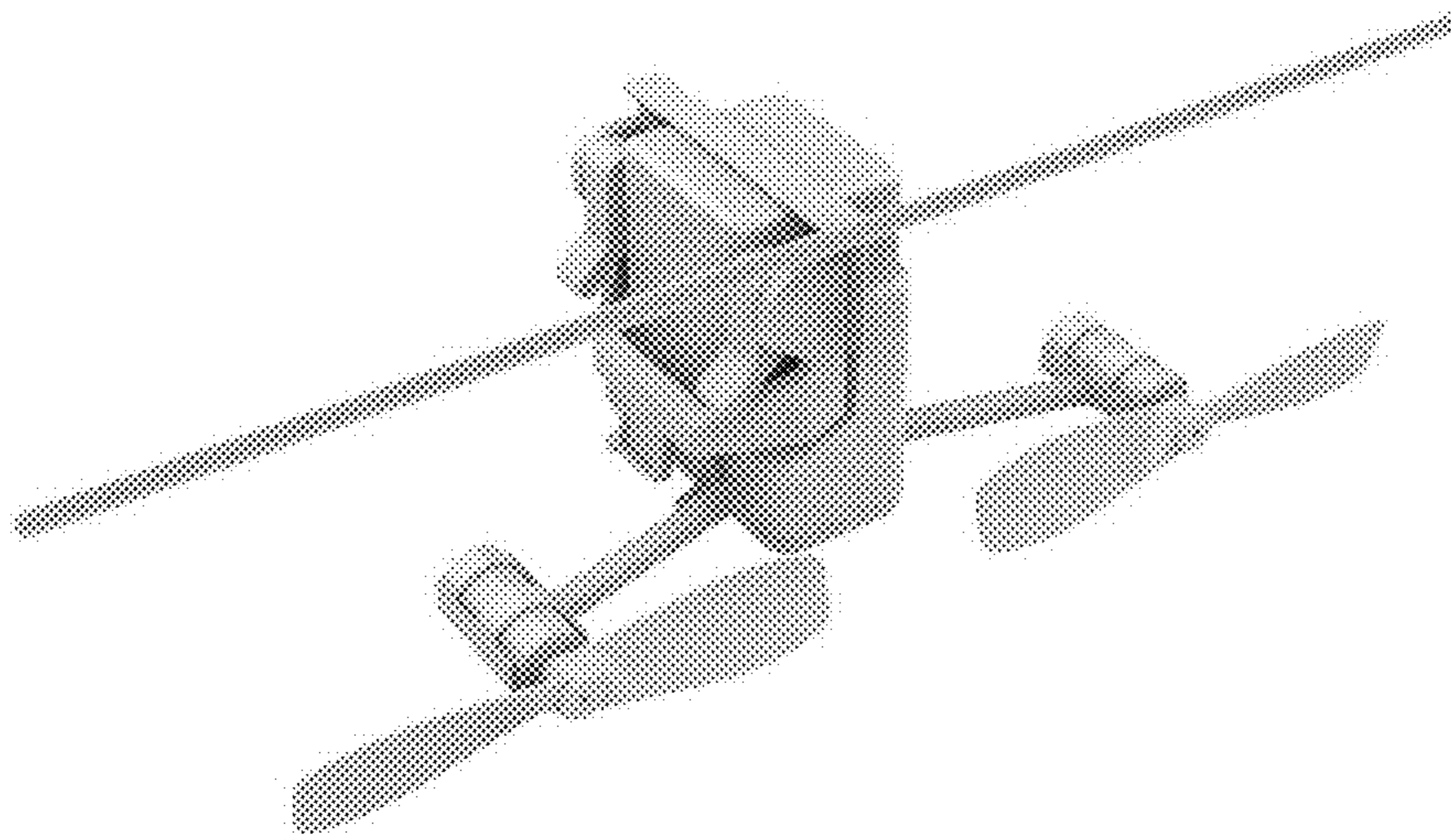


Figure 35

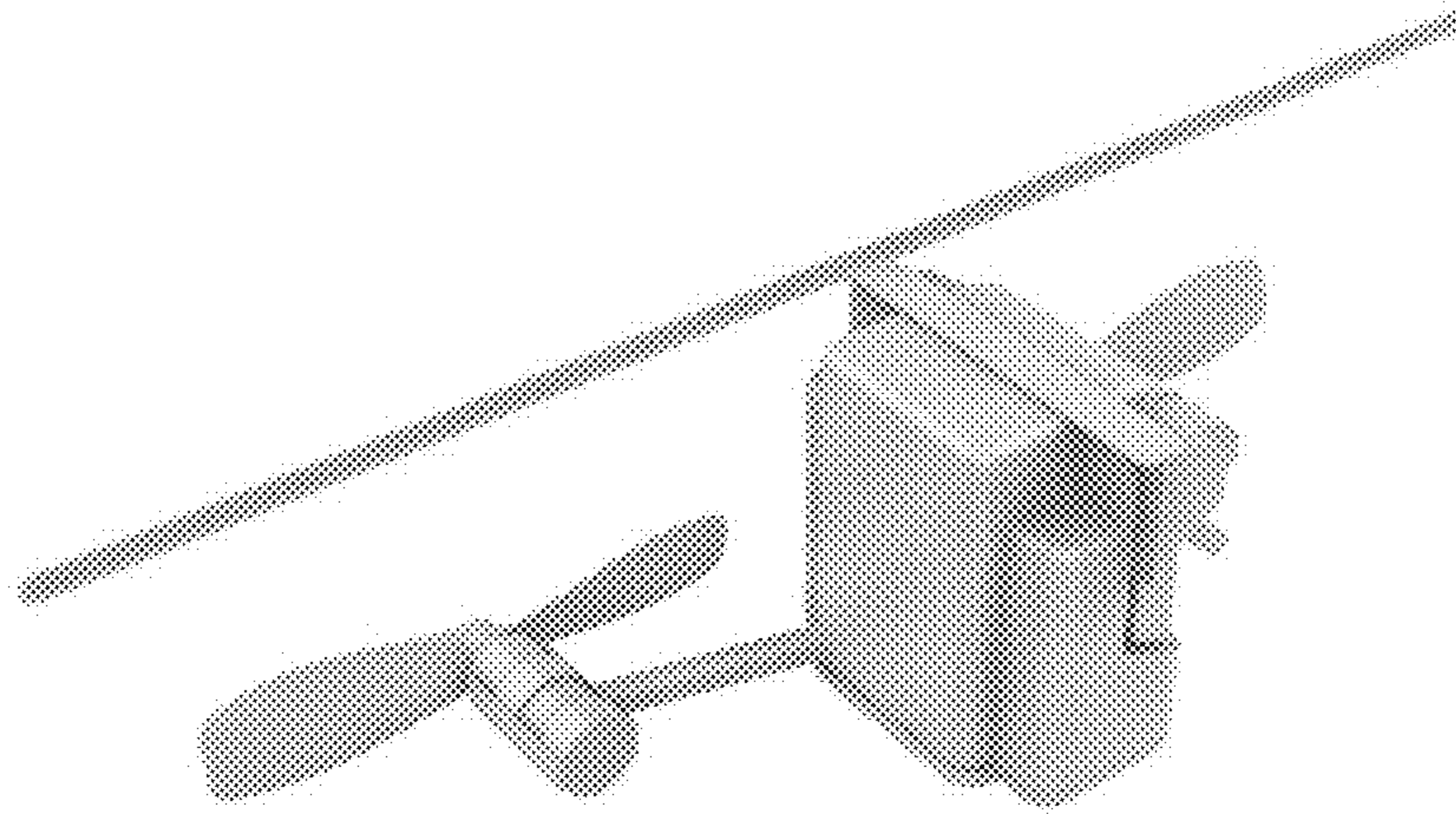


Figure 36

