



US00D985676S

(12) **United States Design Patent** (10) **Patent No.:** **US D985,676 S**  
**Shillito** (45) **Date of Patent:** **\*\* May 9, 2023**

(54) **TOY DRUM**

FOREIGN PATENT DOCUMENTS

(71) Applicant: **KIDS II HAPE JOINT VENTURE LIMITED**, Kowloon (HK)

CA 2484914 A1 12/2003  
CN 2136687 Y 6/1993

(Continued)

(72) Inventor: **Adam Shillito**, Dagang Industrial (CN)

(73) Assignee: **KIDS II HAPE JOINT VENTURE LIMITED**, Hong Kong (HK)

OTHER PUBLICATIONS

(\*\*) Term: **15 Years**

Together in Tune Drums, available on kids2.com, oldest customer review 5 months ago, [site visited Mar. 17, 2022], URL: <https://www.kids2.com/products/12804-together-in-tune-drums-connected-magic-touch-drum-set> (Year: 2021).\*

(21) Appl. No.: **29/765,663**

(Continued)

(22) Filed: **Jan. 11, 2021**

(51) **LOC (14) Cl.** ..... **21-01**

(52) **U.S. Cl.**  
USPC ..... **D21/405**

*Primary Examiner* — Dana K Weiland

*Assistant Examiner* — Emily Anna Saunders

(74) *Attorney, Agent, or Firm* — Gardner Groff & Greenwald, PC

(58) **Field of Classification Search**

USPC ..... D21/398, 468, 469, 470, 474, 475, 476, D21/405, 406, 407, 409, 410, 411; D19/59, 60, 62; D17/23, 24, 99, 22  
CPC .... A63F 9/06; A63F 9/08; A63H 5/00; G09B 1/00; G09B 1/02; G09B 1/06; G09B 1/14; G09B 1/18; G10H 2230/251  
See application file for complete search history.

(57) **CLAIM**

The ornamental design for a toy drum, substantially as shown and described.

(56) **References Cited**

**DESCRIPTION**

U.S. PATENT DOCUMENTS

D293,594 S	1/1988	Lenihan	
4,801,771 A	1/1989	Mizuguchi et al.	
4,892,023 A	1/1990	Takeuchi et al.	
4,899,631 A	2/1990	Baker	
4,911,053 A	3/1990	Kashio et al.	
D315,744 S	3/1991	Lerch	
D316,722 S	5/1991	Lerch	
D321,728 S	11/1991	Wehmeyer	
D321,729 S	11/1991	Maple	
D328,915 S *	8/1992	Sato	D17/22
5,135,426 A	8/1992	Lin	
5,145,447 A	9/1992	Goldfarb	
5,248,843 A	9/1993	Billings	
5,254,007 A	10/1993	Eagan	

(Continued)

FIG. 1 is a first perspective view of a toy drum showing the new design.

FIG. 2 is a second perspective view of the toy drum of FIG. 1.

FIG. 3 is a front view of the toy drum of FIG. 1.

FIG. 4 is a back view of the toy drum of FIG. 1.

FIG. 5 is a first side view of the toy drum of FIG. 1.

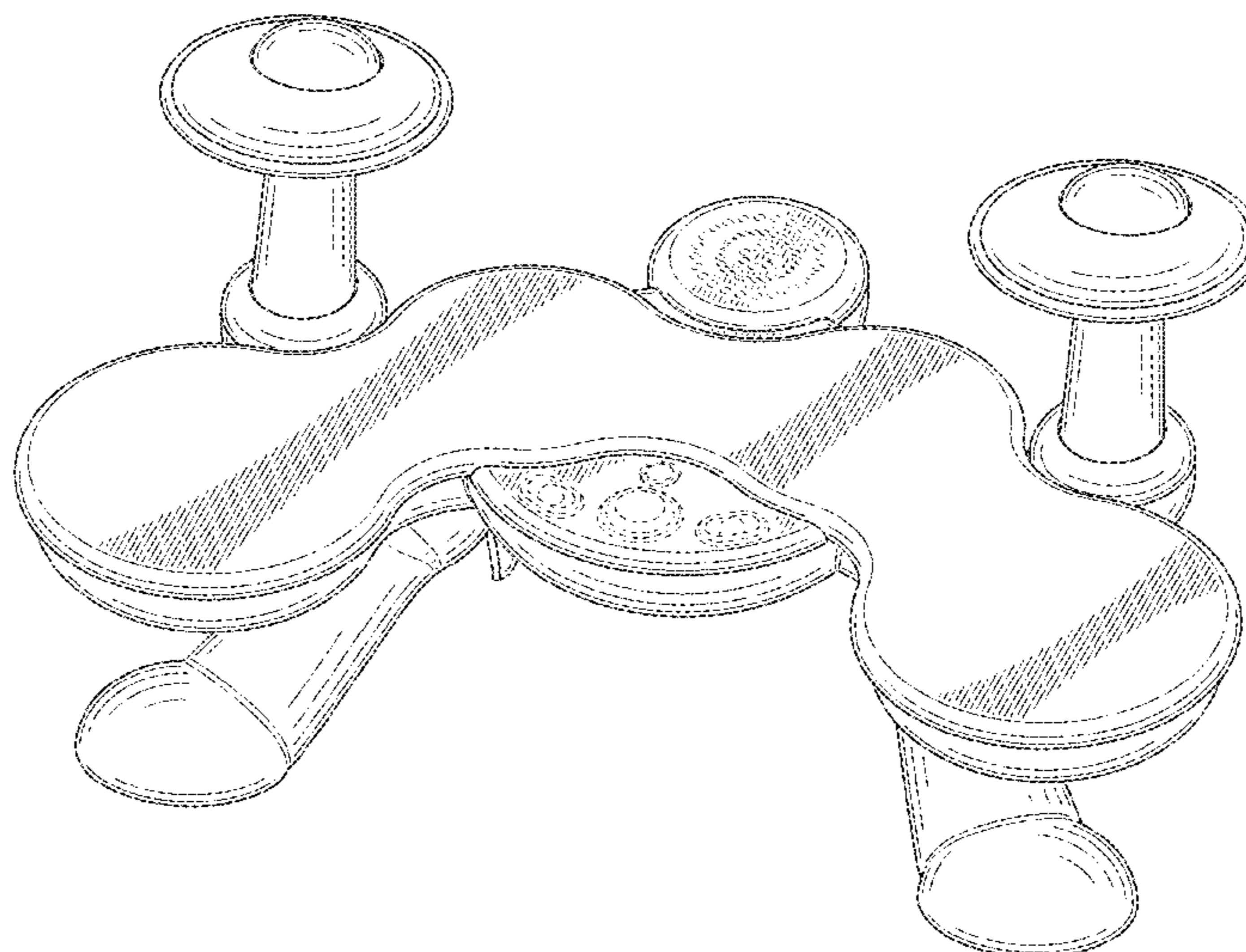
FIG. 6 is a second side view of the toy drum of FIG. 1.

FIG. 7 is a top view of the toy drum of FIG. 1; and,

FIG. 8 is a bottom view of the toy drum of FIG. 1.

The broken line portions of the drawing figures are included to show portions of the toy drum that are not part of the claimed design.

**1 Claim, 7 Drawing Sheets**





(56)

References Cited

U.S. PATENT DOCUMENTS

5,496,179 A 3/1996 Hoffman  
 5,538,430 A 7/1996 Smith et al.  
 5,545,071 A 8/1996 Shiraiishi  
 5,883,325 A 3/1999 Peirce  
 D412,540 S \* 8/1999 Chen ..... D21/405  
 6,142,849 A 11/2000 Horton et al.  
 6,274,800 B1 8/2001 Gardner  
 6,443,794 B2 9/2002 Oren et al.  
 6,454,627 B1 9/2002 Mak  
 D472,587 S \* 4/2003 Chan ..... D21/405  
 D477,371 S \* 7/2003 Niu ..... D17/22  
 6,586,666 B2 7/2003 Abe  
 6,716,031 B2 4/2004 Wood et al.  
 6,955,603 B2 10/2005 Jeffway, Jr. et al.  
 6,991,509 B1 1/2006 Carley et al.  
 7,244,165 B2 7/2007 Gubitosi et al.  
 7,252,510 B1 8/2007 Basu et al.  
 7,301,351 B2 11/2007 Deangelis et al.  
 D602,515 S \* 10/2009 Walter ..... D17/22  
 D607,945 S \* 1/2010 Guinchard ..... D21/324  
 D614,686 S \* 4/2010 Bergese ..... D17/22  
 7,728,209 B1 6/2010 Arnold  
 7,874,927 B2 1/2011 Godiska  
 8,003,877 B2 8/2011 Elion  
 8,008,563 B1 8/2011 Hastings  
 8,093,482 B1 1/2012 Kramer et al.  
 8,098,240 B2 1/2012 Zielinski et al.  
 8,235,824 B2 8/2012 Kuhn  
 8,373,672 B2 2/2013 Wallace et al.  
 8,378,203 B2 2/2013 Wallace et al.  
 8,395,040 B1 3/2013 Kramer et al.  
 8,398,451 B2 3/2013 Wolfe et al.  
 8,400,426 B2 3/2013 Zielinski et al.  
 D681,716 S \* 5/2013 Izen ..... D17/22  
 8,471,138 B2 6/2013 Wallace et al.  
 8,476,519 B2 7/2013 Liotta  
 8,477,506 B2 7/2013 Moncrieff  
 8,594,557 B2 11/2013 Taylor et al.  
 8,614,389 B2 12/2013 Wallace et al.  
 8,729,379 B2 5/2014 Wallace et al.  
 8,735,710 B2 5/2014 Yamabata  
 8,773,387 B2 7/2014 Wallace et al.  
 8,816,181 B2 8/2014 Shemesh  
 8,865,992 B2 10/2014 Shavit  
 8,878,042 B2 11/2014 Van Wagoner et al.  
 9,092,096 B2 7/2015 Li et al.  
 9,093,059 B2 7/2015 Dejima et al.  
 9,111,516 B1 8/2015 Saraceni  
 9,259,658 B2 2/2016 Hillis et al.  
 9,299,330 B2 3/2016 Shi  
 9,311,907 B2 4/2016 Beck  
 9,324,310 B2 4/2016 McPherson et al.  
 9,492,762 B2 11/2016 Albert et al.  
 9,583,087 B2 2/2017 Iwase  
 9,620,096 B2 4/2017 Ambrosino  
 9,628,880 B2 4/2017 Koss et al.  
 9,659,505 B2 5/2017 Camp et al.  
 9,761,210 B2 9/2017 McPherson  
 9,773,487 B2 9/2017 Alt et al.  
 9,805,705 B2 10/2017 McPherson et al.  
 9,836,151 B2 12/2017 McMillen et al.  
 9,837,062 B2 12/2017 Wernick et al.  
 10,019,849 B2 7/2018 Berman et al.  
 D838,310 S \* 1/2019 Murray ..... D17/22  
 10,224,494 B2 3/2019 Watabe et al.  
 10,288,507 B2 5/2019 McMillen et al.  
 10,288,800 B1 5/2019 Keranen et al.  
 10,325,966 B2 6/2019 Isa  
 10,339,829 B2 7/2019 Grafman  
 10,485,094 B1 11/2019 Isohatala et al.  
 10,561,019 B2 2/2020 Heikkinen et al.  
 10,643,484 B2 5/2020 Nguyen  
 10,791,826 B2 10/2020 Crowe et al.  
 10,804,898 B2 10/2020 Haslette et al.  
 10,821,889 B2 11/2020 DeGrote et al.

10,901,560 B2 1/2021 Reese et al.  
 2009/0139798 A1 6/2009 Bernard  
 2009/0260508 A1 10/2009 Elion  
 2009/0266218 A1 10/2009 Parienti  
 2011/0195392 A1 8/2011 Kim  
 2011/0239848 A1 10/2011 Beck  
 2012/0024132 A1 2/2012 Wallace et al.  
 2012/0247308 A1 10/2012 Tsai  
 2013/0074680 A1 3/2013 Elion  
 2013/0083946 A1 4/2013 Liu  
 2014/0023820 A1 1/2014 Muhlbauer et al.  
 2015/0286294 A1 10/2015 Kopcke et al.  
 2017/0136380 A1 5/2017 Creedican  
 2017/0225070 A1 8/2017 Baks  
 2017/0345323 A1 11/2017 Martinez Sanchez et al.  
 2019/0212843 A1 \* 7/2019 Reese ..... G09B 5/06  
 2019/0304238 A1 10/2019 Ambauen et al.  
 2020/0316483 A1 10/2020 Reese et al.  
 2020/0369223 A1 11/2020 Hansen et al.  
 2022/0187934 A1 \* 6/2022 Reese ..... G06F 3/044  
 2022/0283655 A1 \* 9/2022 Wells ..... G09B 5/06

FOREIGN PATENT DOCUMENTS

CN 103908780 A 7/2014  
 CN 203954672 U 11/2014  
 CN 303416404 \* 10/2015  
 CN 105336229 A 2/2016  
 CN 105765993 A 7/2016  
 CN 206075588 U 4/2017  
 CN 305726713 \* 4/2020  
 CN 305929369 \* 7/2020  
 CN 306452453 \* 4/2021  
 CN 306951132 \* 11/2021  
 EM 008332266-0002 \* 1/2021  
 JP 2015118398 A 6/2015  
 WO 2005053806 A2 6/2005  
 WO 2007009251 A1 1/2007  
 WO 2011100441 A1 8/2011  
 WO 2012024132 A2 2/2012

OTHER PUBLICATIONS

Together in Tune Instruments, available on Facebook.com, date posted Dec. 6, 2021, [site visited Mar. 17, 2022], URL: <https://www.facebook.com/BabyEinstein/> (Year: 2021).\*

Baby Einstein Drum, available on Facebook.com, date posted Sep. 25, 2018, [site visited Mar. 17, 2022], URL: <https://www.facebook.com/BabyEinstein/> (Year: 2018).\*

Rabing Kids Drum Set, available on Amazon.com, date first available Sep. 7, 2018, [site visited Mar. 17, 2022], URL: <https://www.amazon.com/Rabing-Beats-Flash-Adjustable-Microphone/dp/B06XC9VPB> (Year: 2018).\*

Kids Electric Jazz Drum Set, available on Target.com, oldest customer review 2 years ago, [site visited Mar. 17, 2022], URL: <https://www.target.com/p/kids-electric-jazz-drum-set-musical-instrument-w-stool-mic-led-light/-/A-85008528#Ink=sametab> (Year: 2020).\*

Real Jam Drum Set, available on Youtube.com, date posted Oct. 5, 2021, [site visited Mar. 17, 2022], URL: <https://www.youtube.com/watch?v=Yx7rj01Lq0Mhttps://www.littlelikes.com/products/my-real-jam%E2%84%A2-drum-set> (Year: 2021).\*

Fajiabao Baby Toys, available on Amazon.com, oldest customer review with photo Feb. 11, 2020, [site visited Mar. 17, 2022], URL: <https://www.amazon.com/dp/B07RLBFFQR/> (Year: 2020).\*

VTech KidiBeats Kids Drum Set, available on Youtube.com, date posted Jul. 6, 2017, [site visited Mar. 17, 2022], URL: [https://www.youtube.com/watch?v=X\\_ZjLpbT8-I](https://www.youtube.com/watch?v=X_ZjLpbT8-I) (Year: 2017).\*

Land of B. Drum Set, available on Target.com, oldest customer review Jan. 2022, [site visited Jul. 27, 2022], URL: <https://www.target.com/p/land-of-b-little-beats-drum-set/-/A-81947282> (Year: 2022).\*

Kids Electric Drum Set, available on costway.com., oldest customer review Nov. 12, 2019, [site visited Jul. 27, 2022], URL: <https://www.costway.com/kids-electric-jazz-drum-set-with-stool-microphone-led-light.html> (Year: 2019).\*

(56)

**References Cited**

OTHER PUBLICATIONS

Toonev Drum Set, available on Amazon.com, oldest customer review Oct. 23, 2020, [site visited Jul. 27, 2022], URL: <https://www.amazon.com/TOONEV-Instruments-Electronic-Multifunction-Microphone/dp/B08FYBSSRF/> (Year: 2020).\*

Baby Einstein Drums, available on amazon.com, oldest customer review Jan. 6, 2022, [site visited Jul. 27, 2022], URL: <https://www.amazon.com/Baby-Einstein-Together-Wireless-Collection/dp/B098BJLBTY/> (Year: 2022).\*

International Search Report & Written Opinion of PCT/US2019/012529; dated Mar. 22, 2019; 15 pgs.

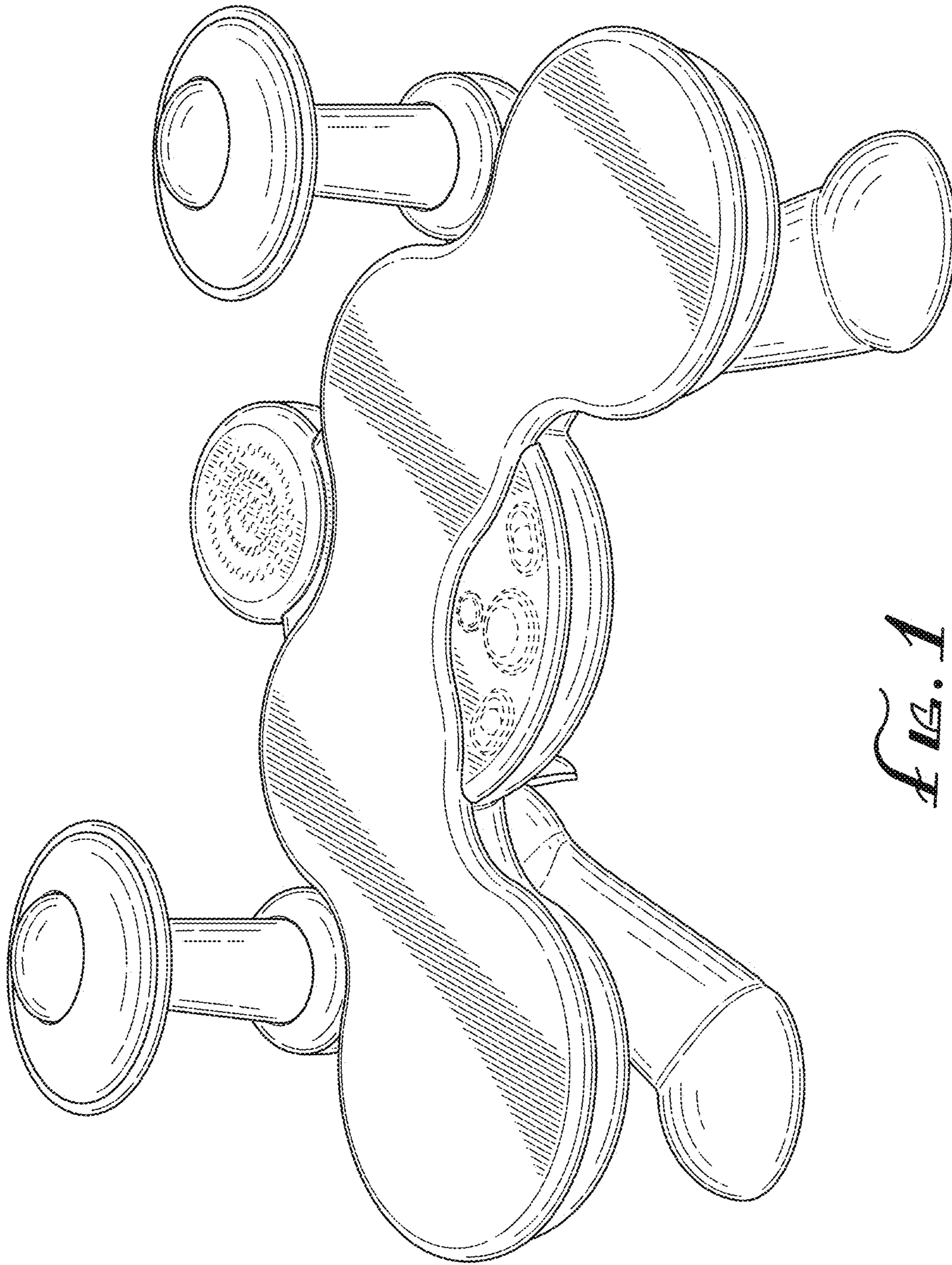
International Search Report & Written Opinion of PCT/US2020/038673; dated Sep. 22, 2020; 13 pgs.

Notification of the First Office Action for Chinese App. No. 2019800074487; dated Jan. 28, 2021; 14 pgs.

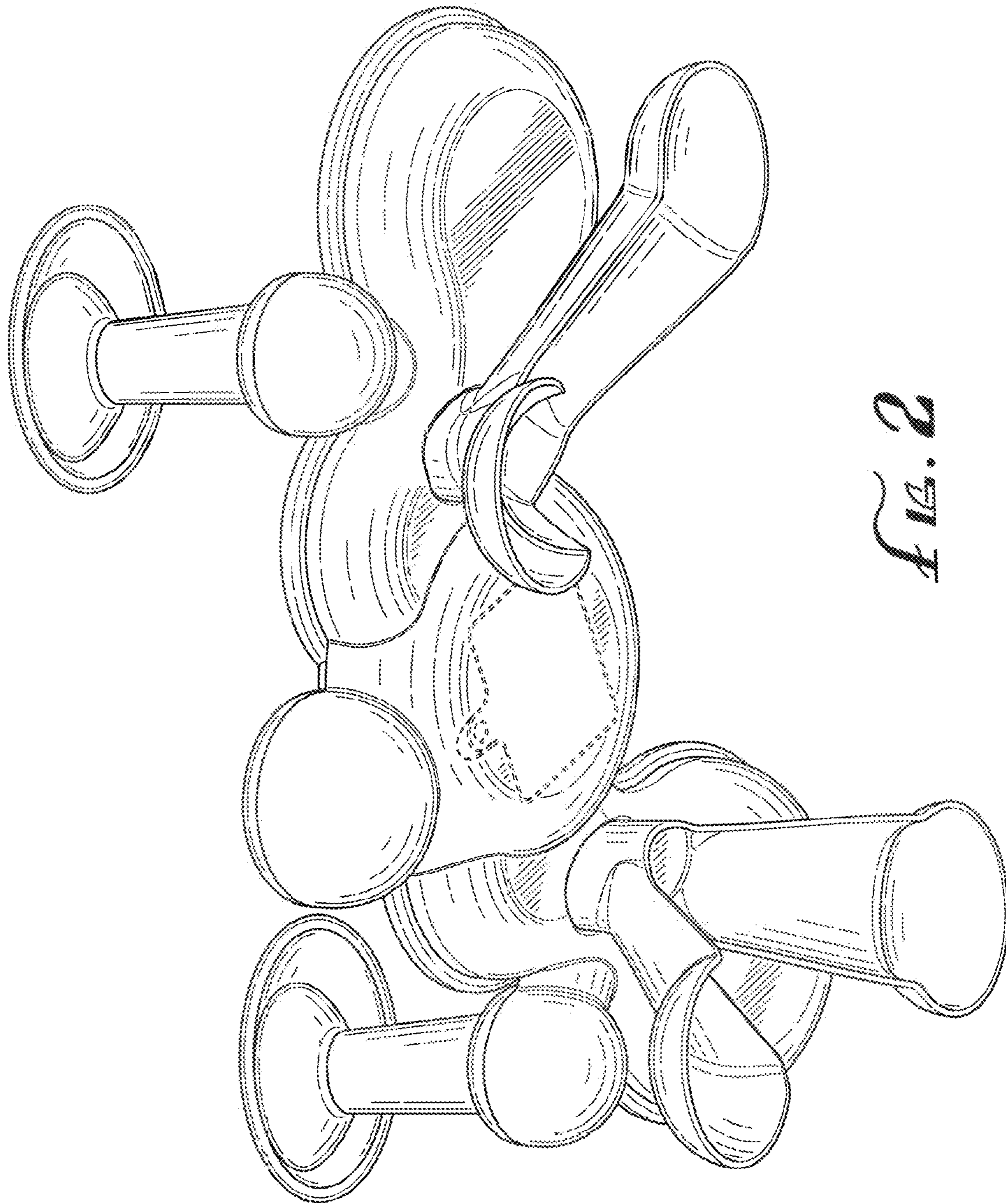
Notification of the Second Office Action for Chinese App. No. 2019800074487; dated Apr. 25, 2021; 14 pgs.

\* cited by examiner





*FIG. 1*



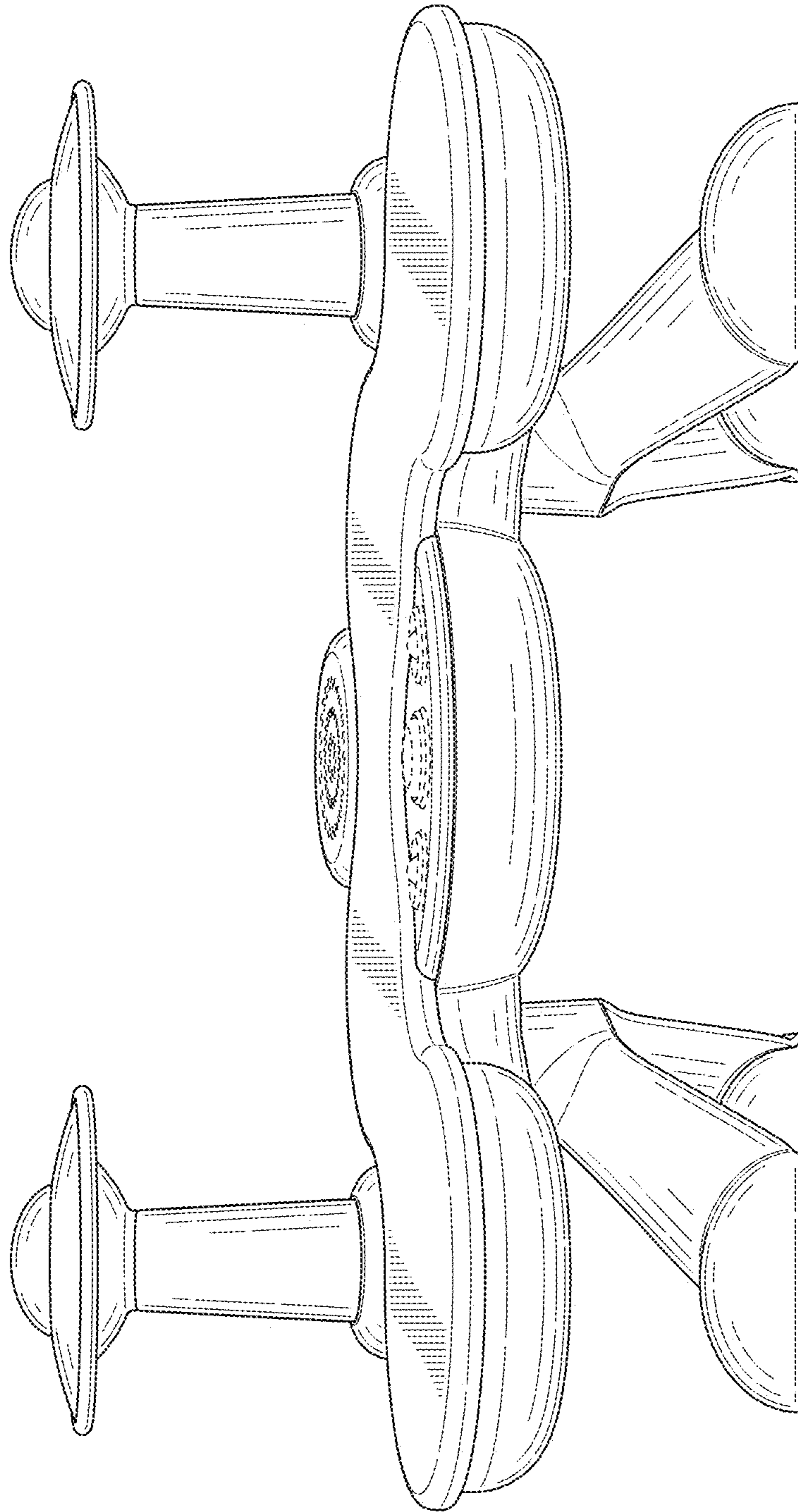


FIG. 3



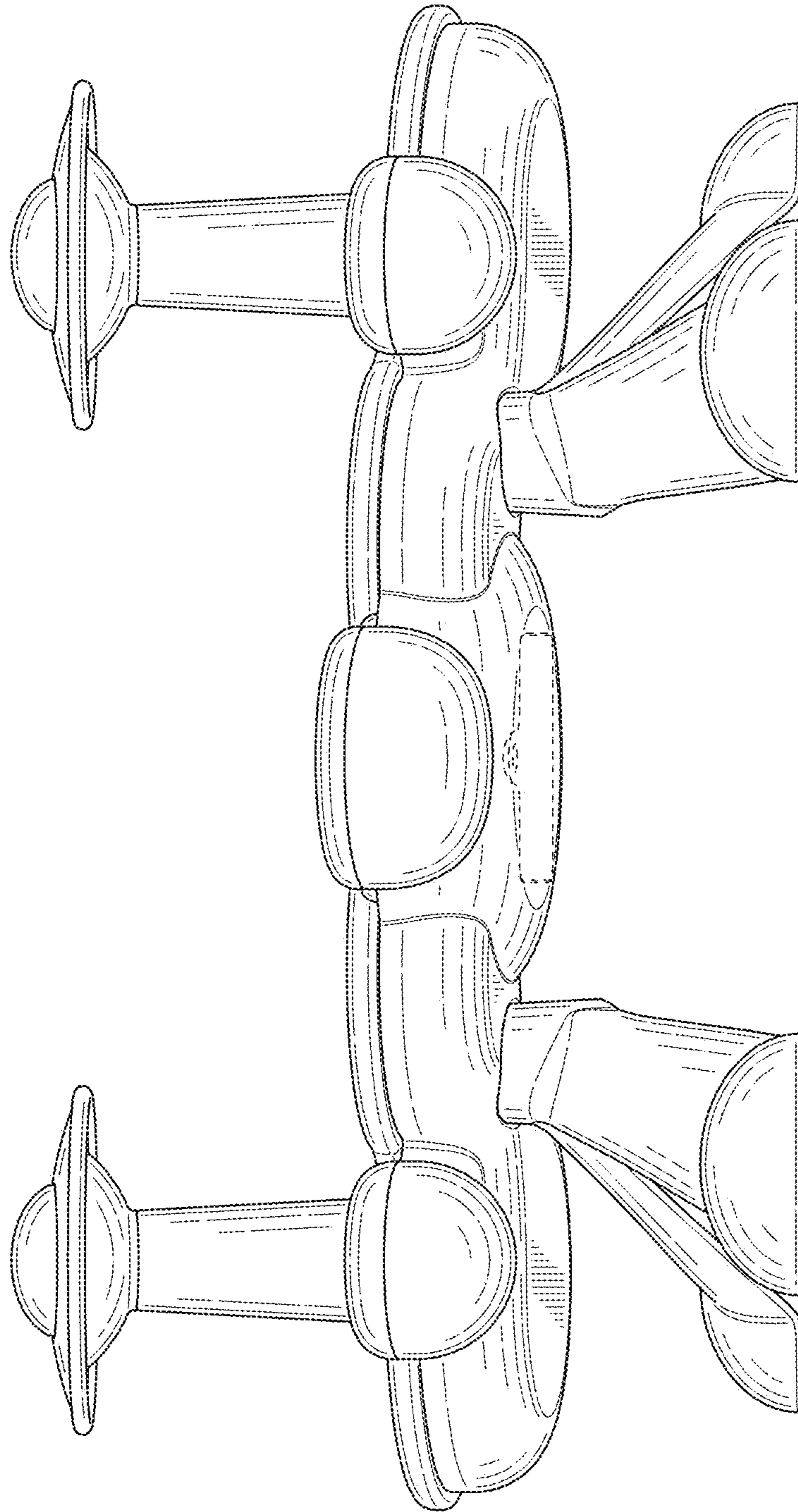
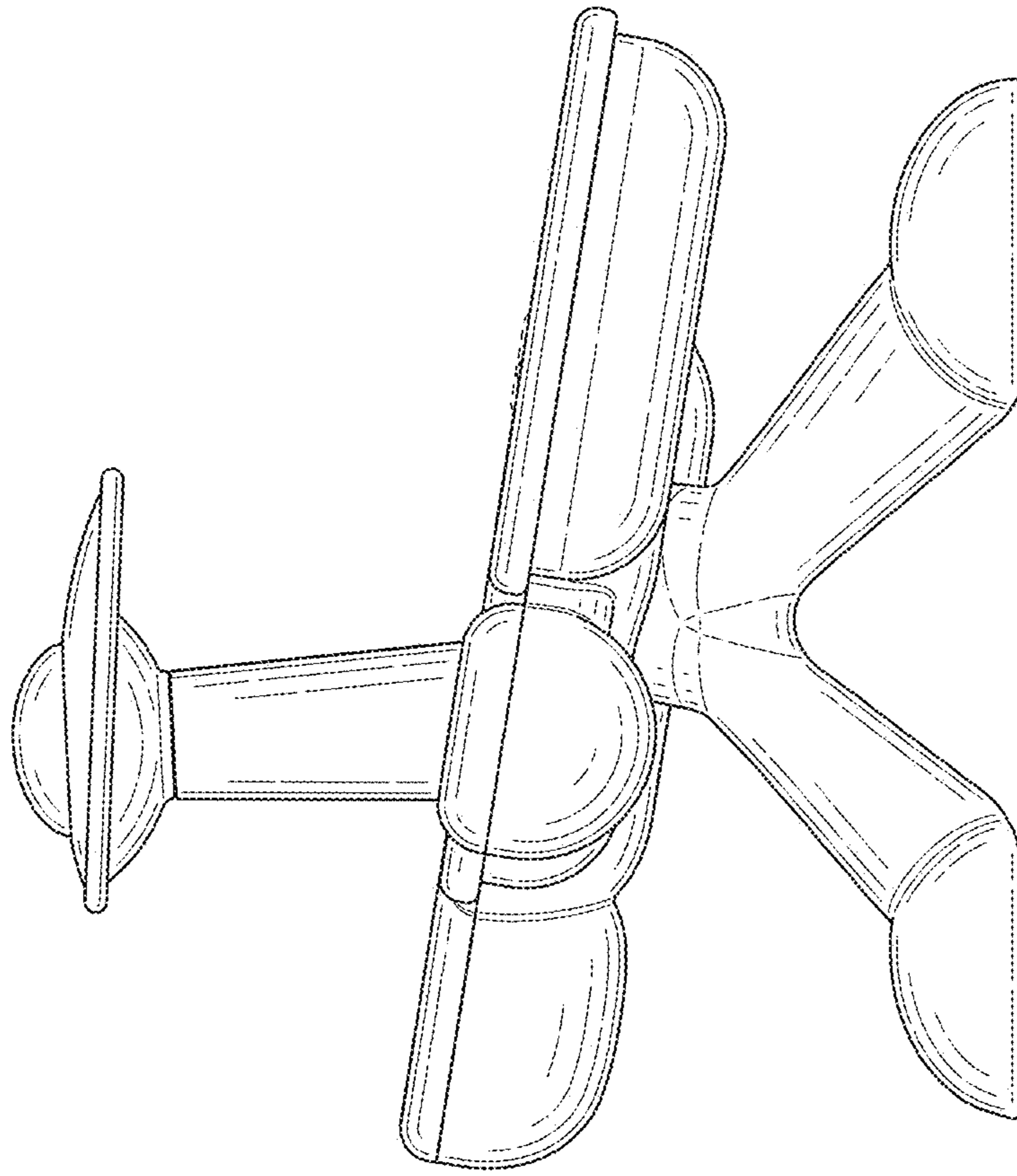
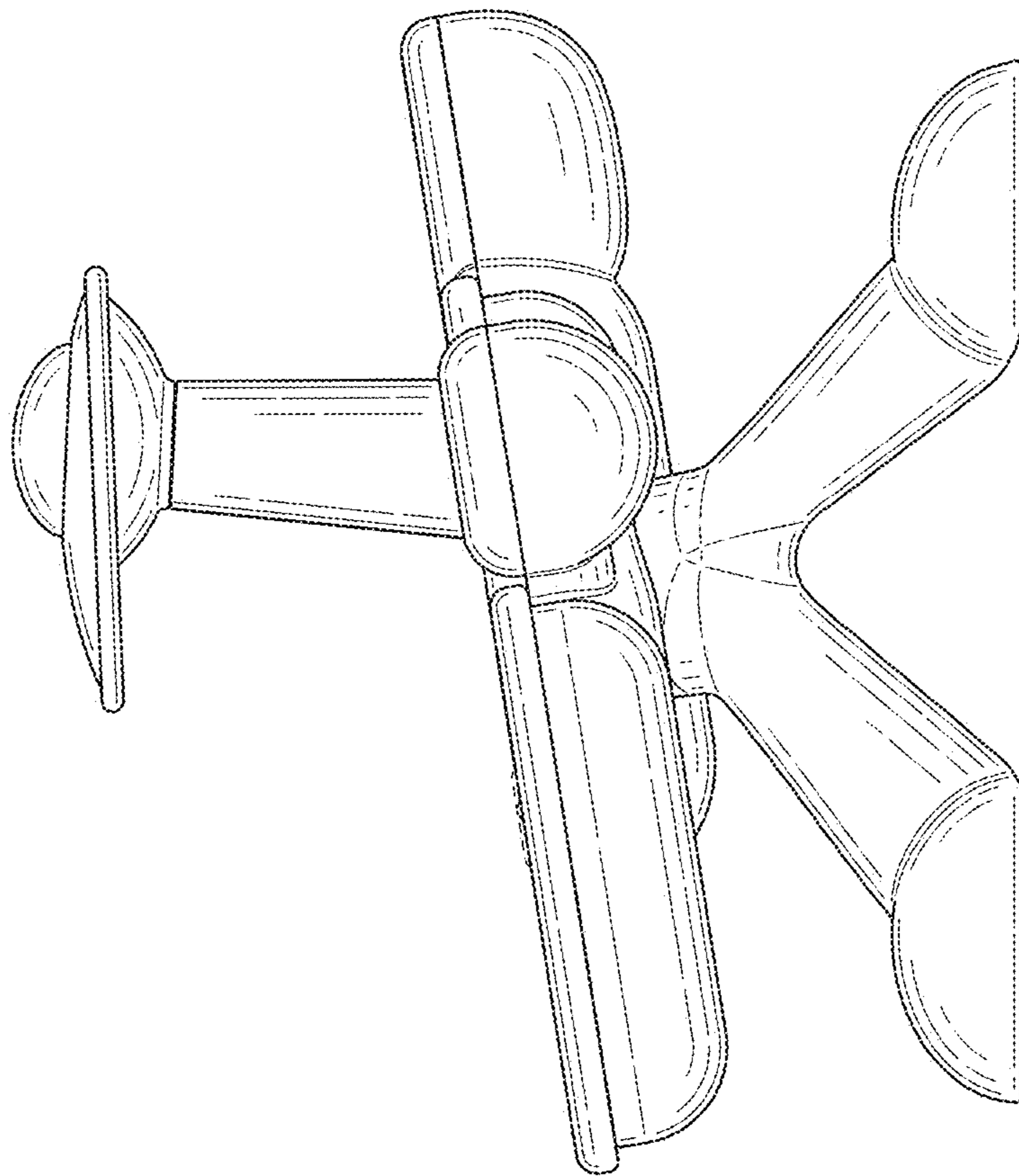


FIG. 4



*Fig. 5*



*Fig. 6*



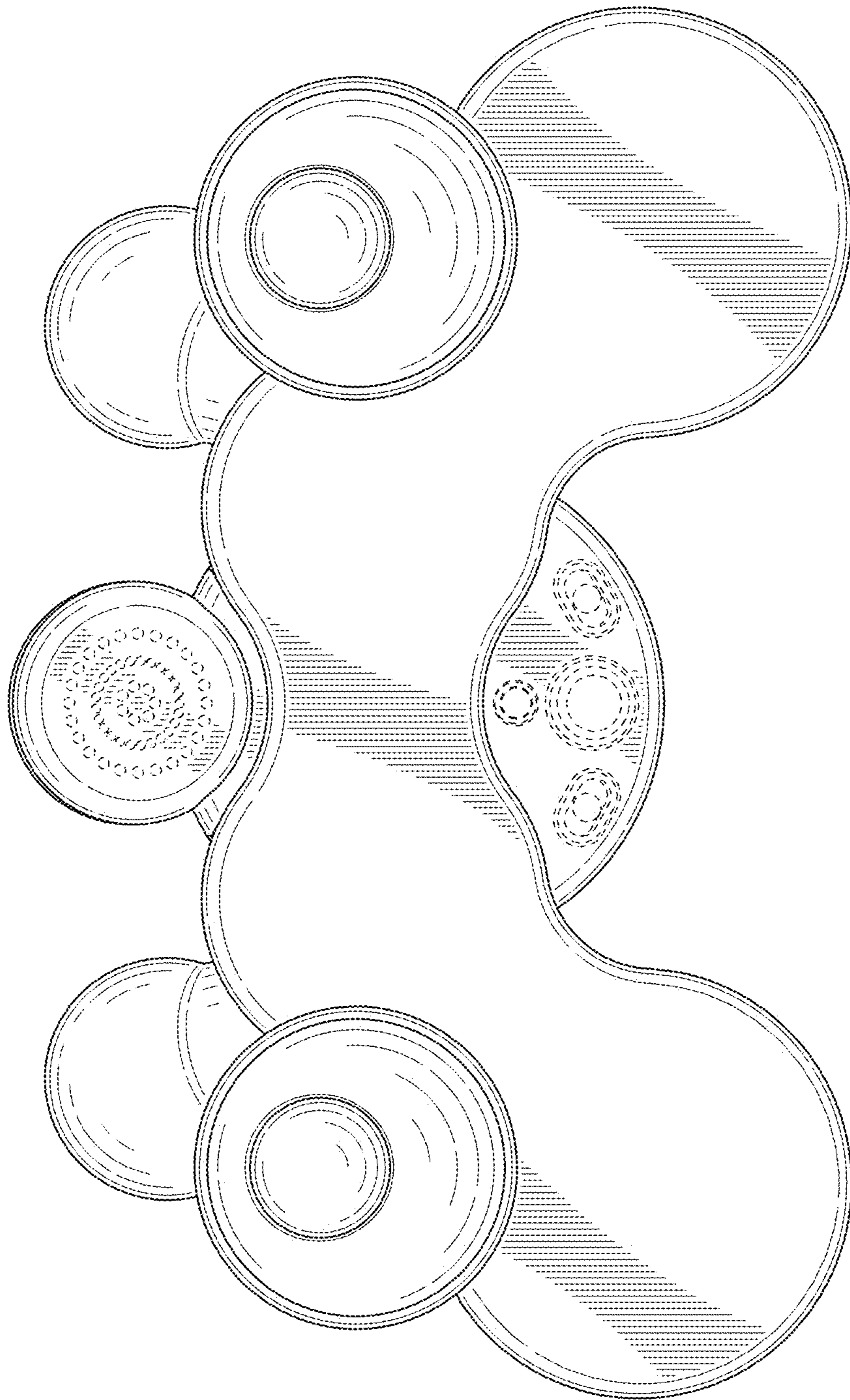


FIG. 7

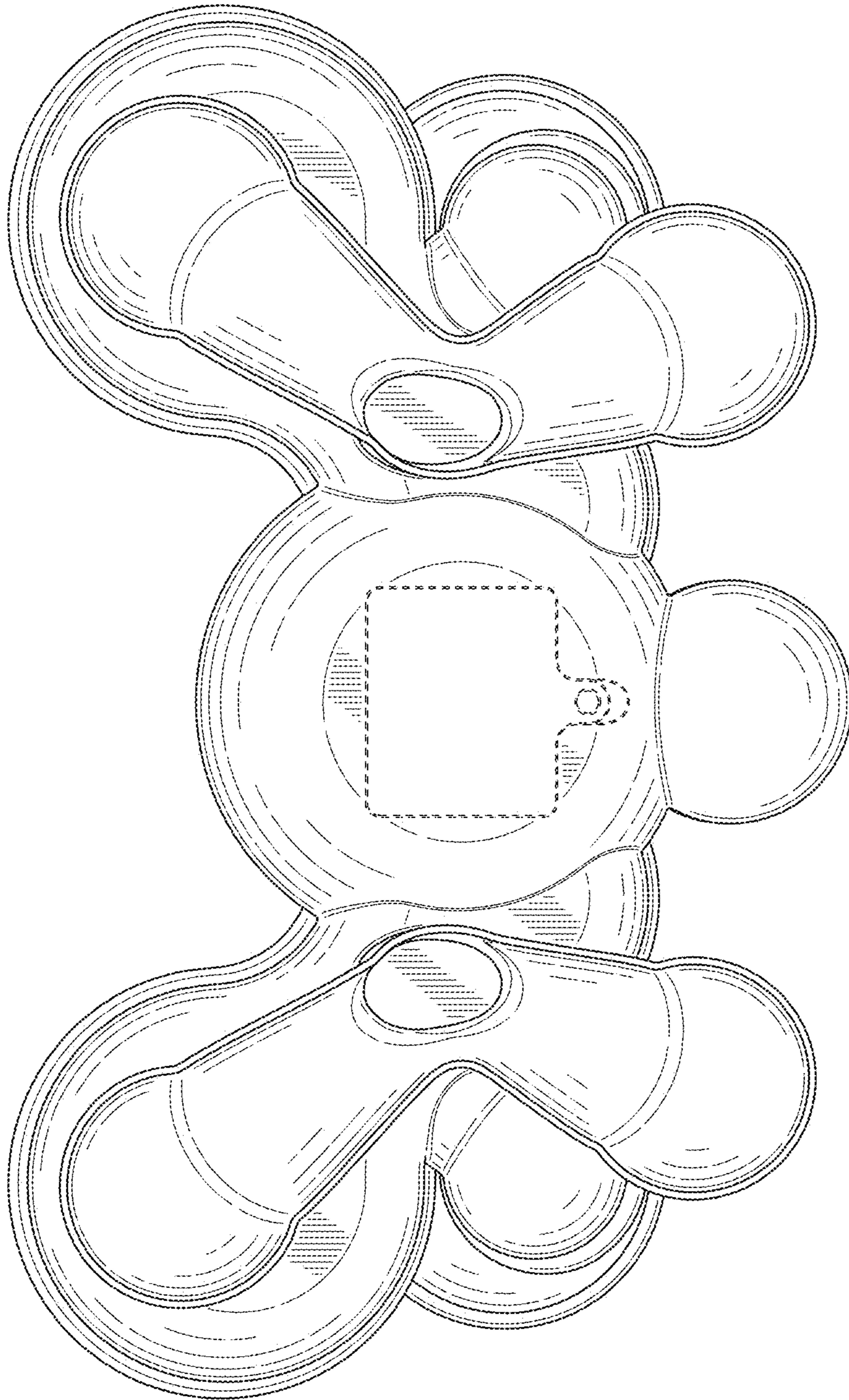


FIG. 8