



US00D985674S

(12) **United States Design Patent** (10) **Patent No.:** **US D985,674 S**
Cho (45) **Date of Patent:** **** May 9, 2023**

(54) **EDUCATIONAL GAME FOR LEARNING**

(71) Applicant: **Sung Hoon Cho**, Seoul (KR)

(72) Inventor: **Sung Hoon Cho**, Seoul (KR)

(**) Term: **15 Years**

(21) Appl. No.: **29/765,472**

(22) Filed: **Jan. 8, 2021**

(30) **Foreign Application Priority Data**

Dec. 24, 2020 (KR) 30-2020-0064734

(51) **LOC (14) Cl.** **21-01**

(52) **U.S. Cl.**
USPC **D21/385**

(58) **Field of Classification Search**
USPC D21/300, 369, 371, 385, 398, 475, 484,
D21/491, 499, 500, 515, 698, 798;
D19/11, 26, 59, 60, 62, 64; D99/34, 35,
D99/36, 43; D10/97; D7/553.1, 553.2,
D7/601, 602; D14/251, 253, 447
CPC A63F 9/06; A63F 9/08; G09B 1/00; G09B
1/02; G09B 1/04; A63H 33/30
See application file for complete search history.

(56) **References Cited**

U.S. PATENT DOCUMENTS

D235,570 S * 6/1975 Barton D21/499
D253,703 S * 12/1979 Hillmer D14/251
D283,861 S * 5/1986 Cantolino D7/601
D307,504 S * 4/1990 Silcox D99/36
D329,877 S * 9/1992 Schafer D21/369
D332,064 S * 12/1992 Gourley D10/97
D468,779 S * 1/2003 Manville D21/499
D524,873 S * 7/2006 Wickens D21/373

(Continued)

FOREIGN PATENT DOCUMENTS

CN 302448312 * 6/2013
CN 304074115 * 3/2017

(Continued)

OTHER PUBLICATIONS

Fisher-Price Piggy Bank, available on Amazon.com, date first available Mar. 20, 2019, [site visited Sep. 1, 2022], URL: <https://www.amazon.com/Fisher-Price-Laugh-Stages-Amazon-Exclusive/dp/B00OZAI56M/> (Year: 2019).*

(Continued)

Primary Examiner — Dana K Weiland
Assistant Examiner — Emily Anna Saunders
(74) *Attorney, Agent, or Firm* — The PL Law Group, PLLC

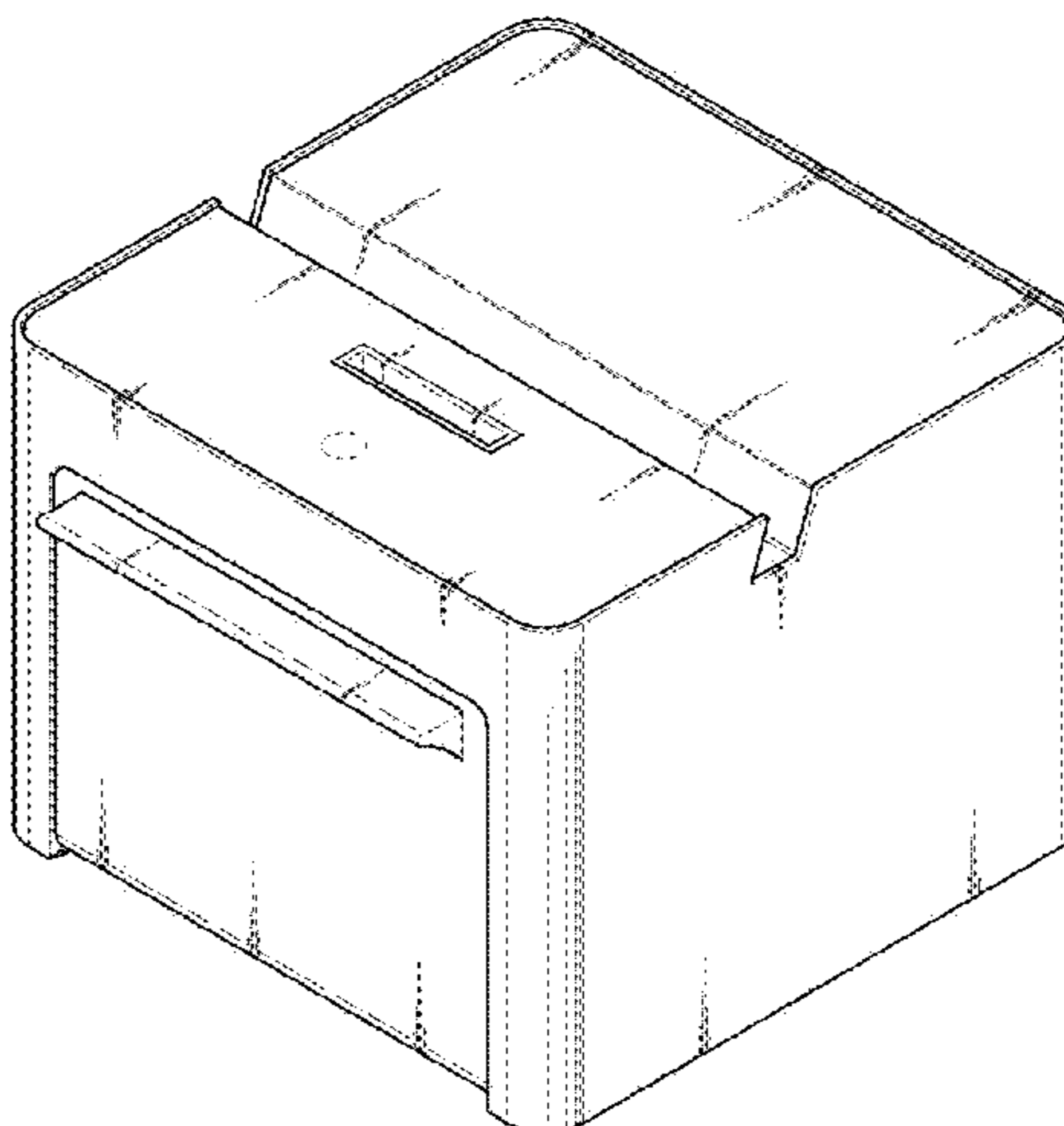
(57) **CLAIM**

The ornamental design for an educational game for learning, as shown and described.

DESCRIPTION

FIG. 1 is a perspective view of the educational game for learning of the present invention;
FIG. 2 is a front view thereof;
FIG. 3 is a rear view thereof;
FIG. 4 is a left side view thereof;
FIG. 5 is a right side view thereof;
FIG. 6 is top view thereof;
FIG. 7 is a bottom view thereof;
FIG. 8 is another perspective view;
FIG. 9 is a perspective view of FIG. 1 shown in an environment of use; and,
FIG. 10 is another perspective view thereof in an alternative configuration in an environment of use.
The broken lines in FIGS. 9 and 10 showing coins and a display device are for the purpose of illustrating environmental subject matter only and form no part of the claimed design. All other broken lines show portions of the educational game for learning that form no part of the claimed design.

1 Claim, 10 Drawing Sheets



(56)

References Cited

U.S. PATENT DOCUMENTS

D565,527 S * 4/2008 Riggs D14/129
D575,474 S * 8/2008 Williams D99/29
D661,309 S * 6/2012 Murrer D14/447
D713,838 S * 9/2014 Andre D21/504
D816,421 S * 5/2018 O'Hara D7/602
D824,701 S * 8/2018 Zou D6/671
D828,144 S * 9/2018 Rodack D8/374
D836,166 S * 12/2018 Peng D21/499
D888,163 S * 6/2020 Tsai D21/499

FOREIGN PATENT DOCUMENTS

CN 307042684 * 12/2021
CN 307120200 * 2/2022
KR 300770278.0000 * 11/2014

OTHER PUBLICATIONS

SGVV90 Montessori Infant Coin Box, available on Amazon.com, oldest customer review with photo Apr. 21, 2022, [site visited Sep. 1, 2022], URL: <https://www.amazon.com/SGVV90-Montessori-Toddler-Learning-Educational/dp/B08ZHWHHK1/> (Year: 2022).*

* cited by examiner

FIG. 1

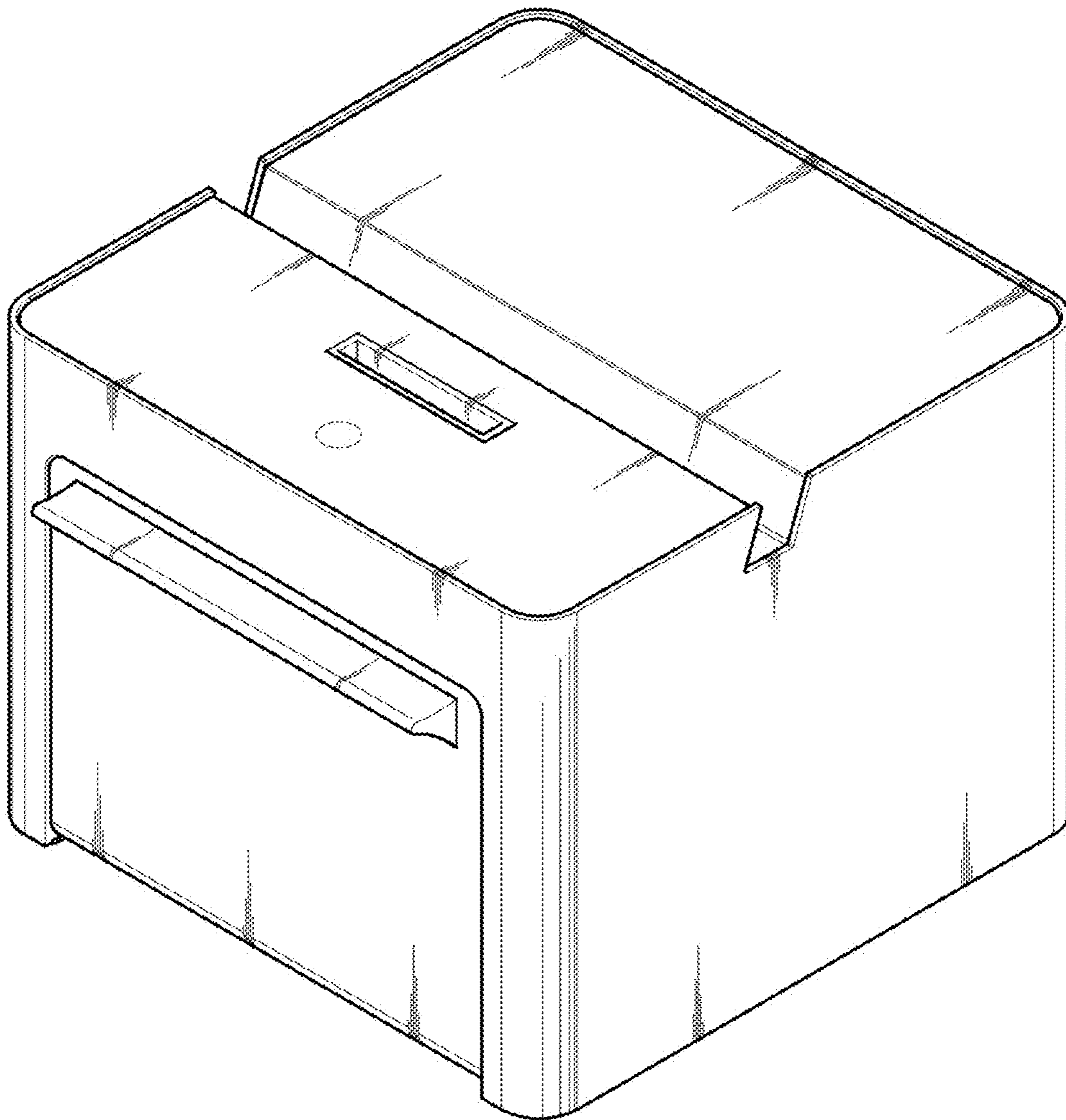


FIG. 2



FIG. 3

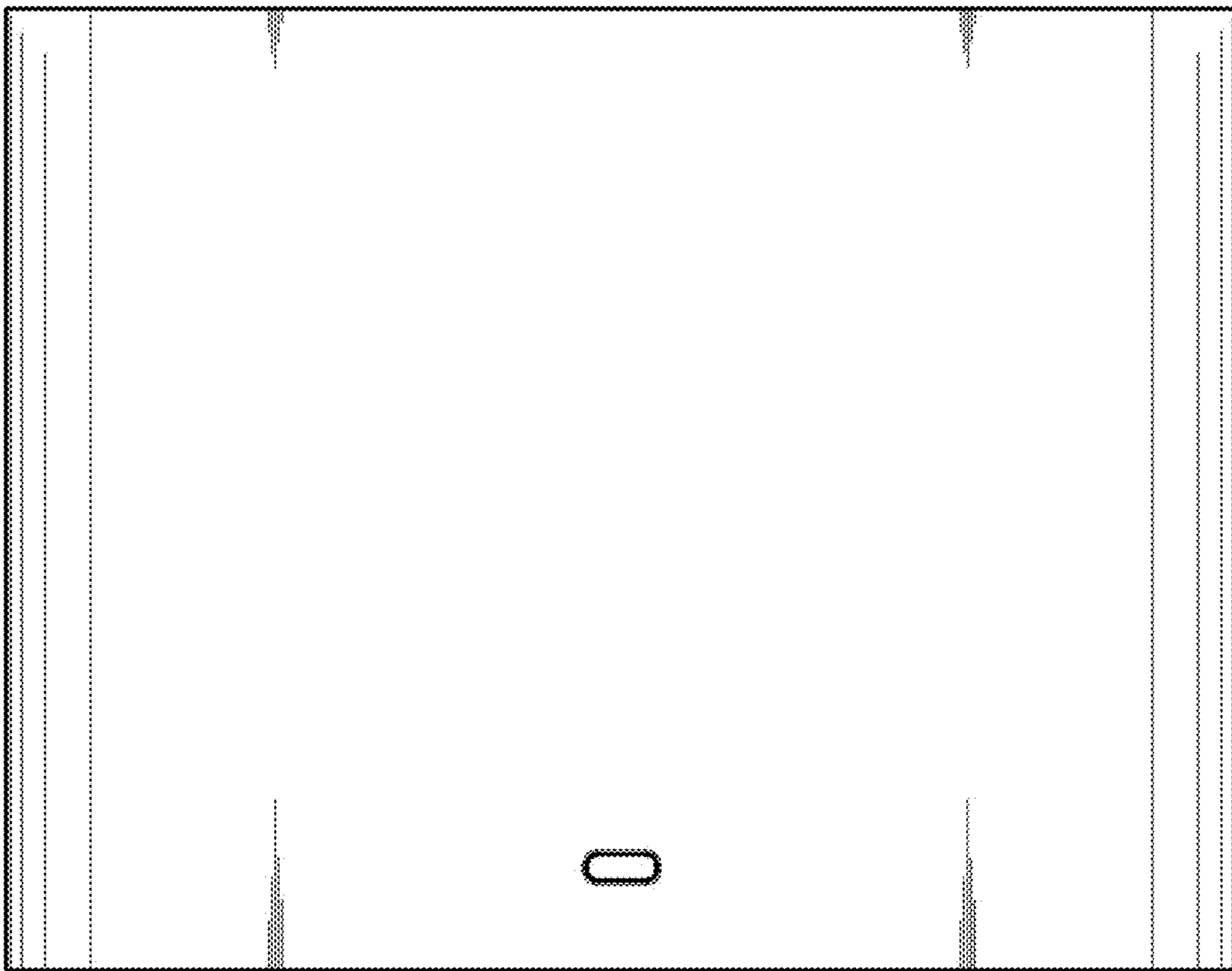


FIG. 4

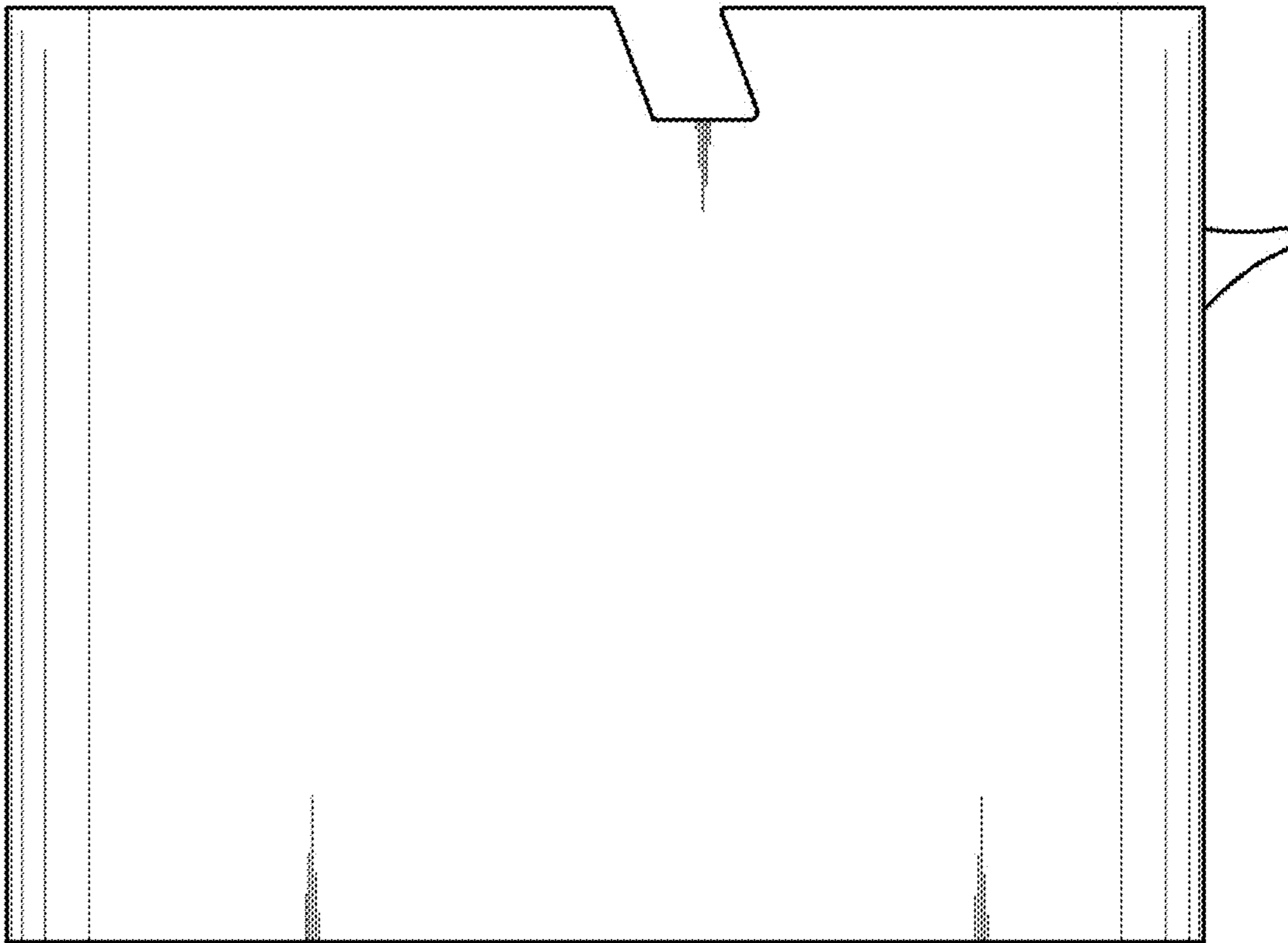


FIG. 5

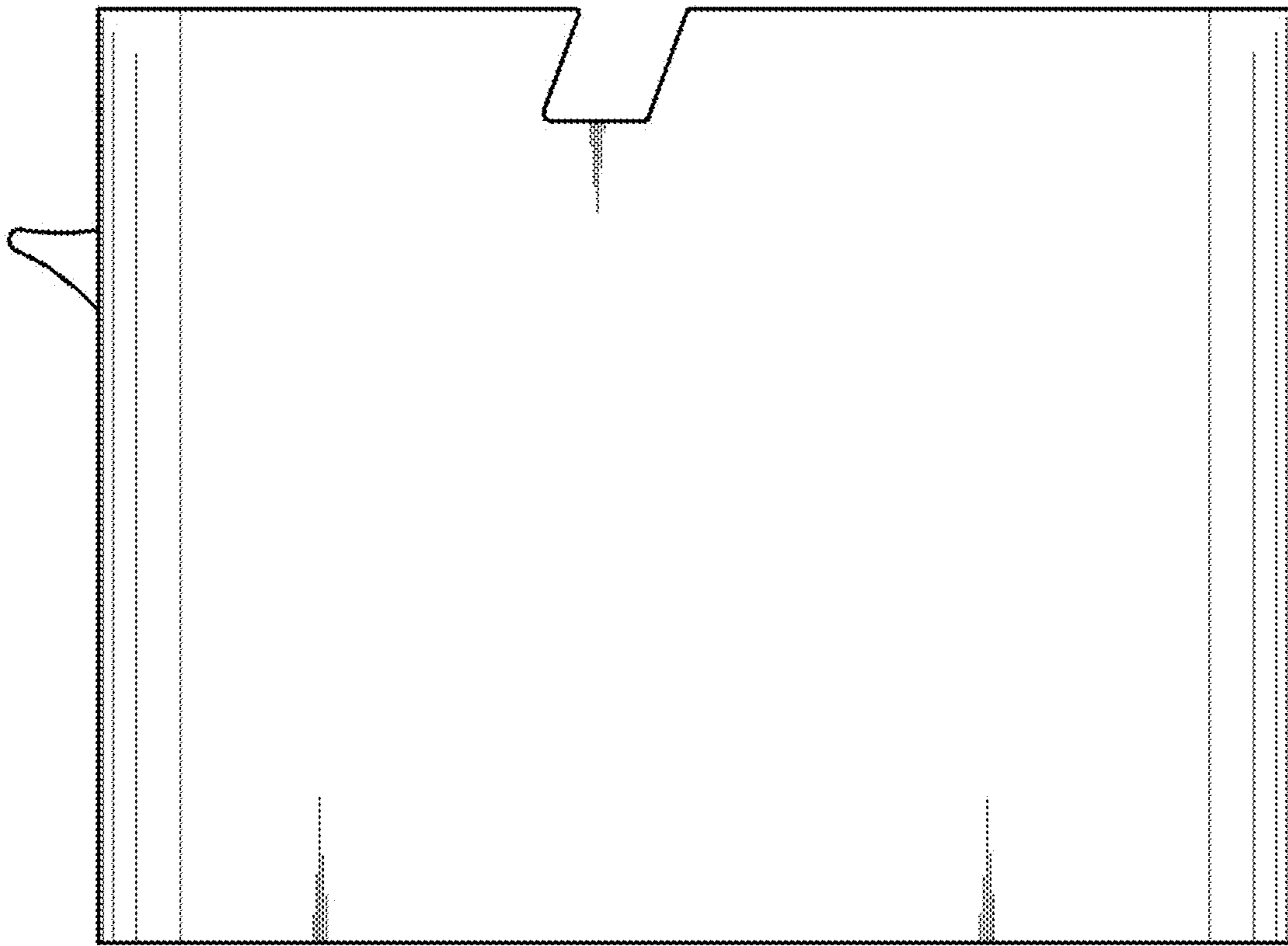


FIG. 6

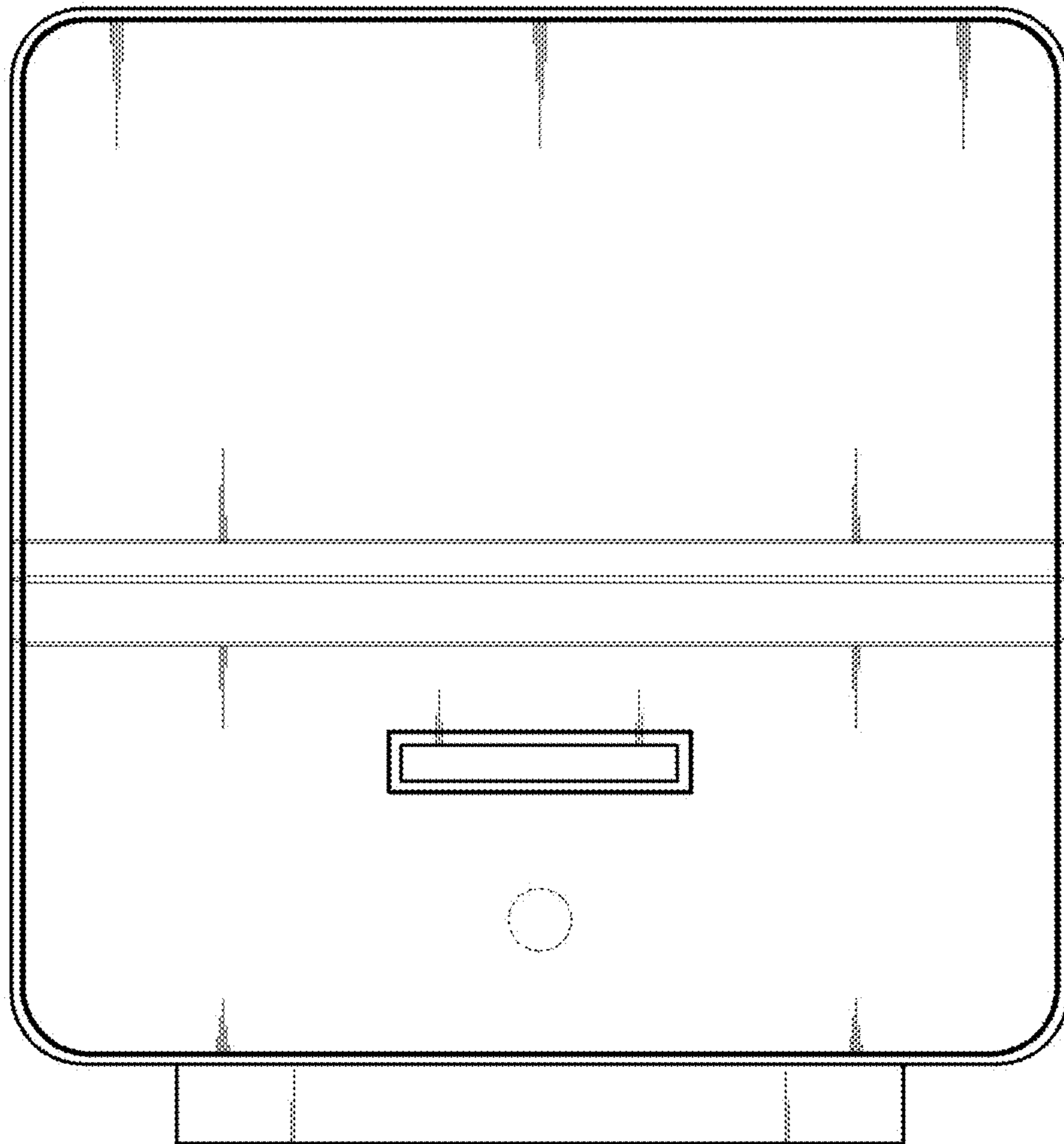


FIG. 7

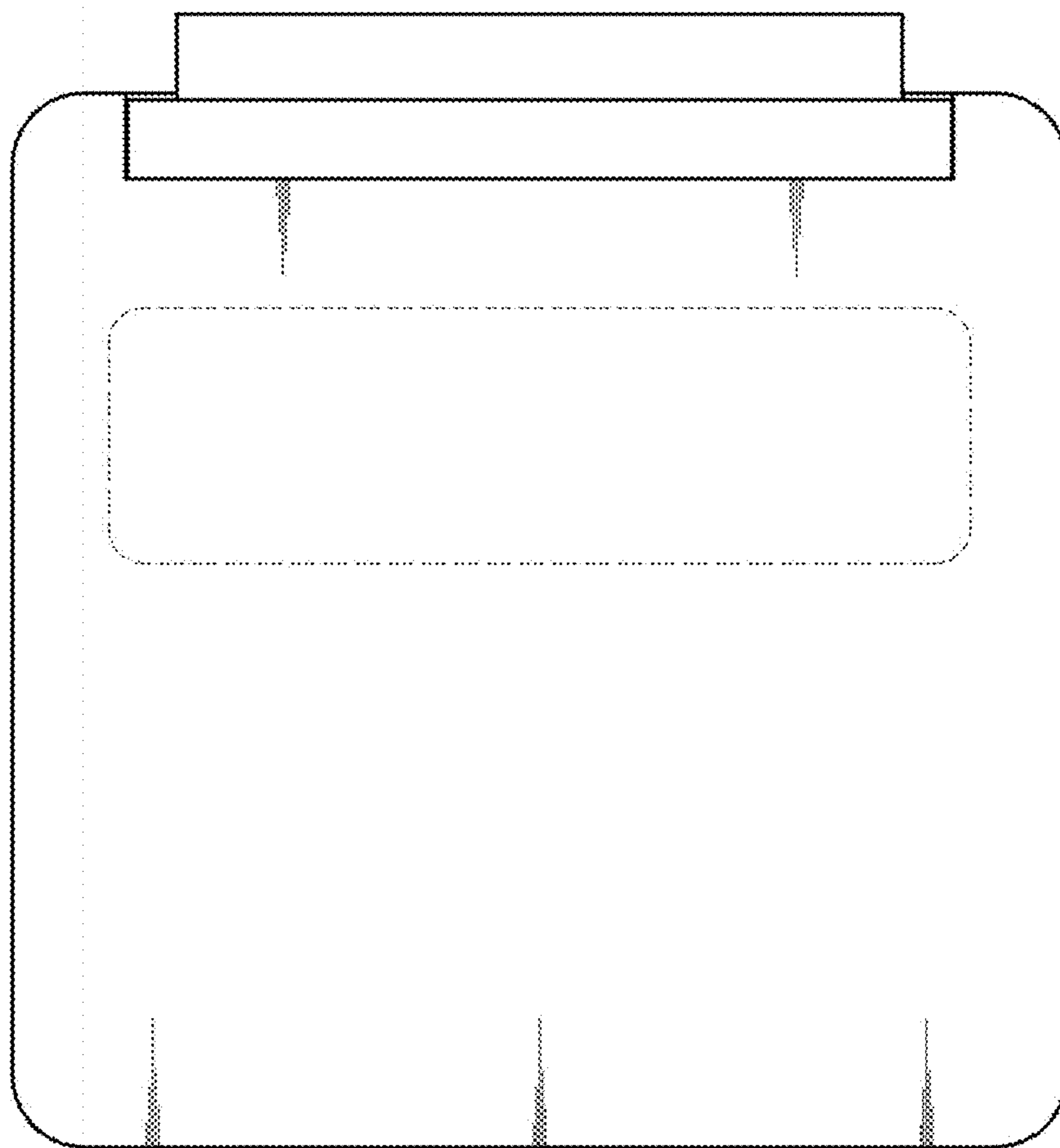


FIG. 8

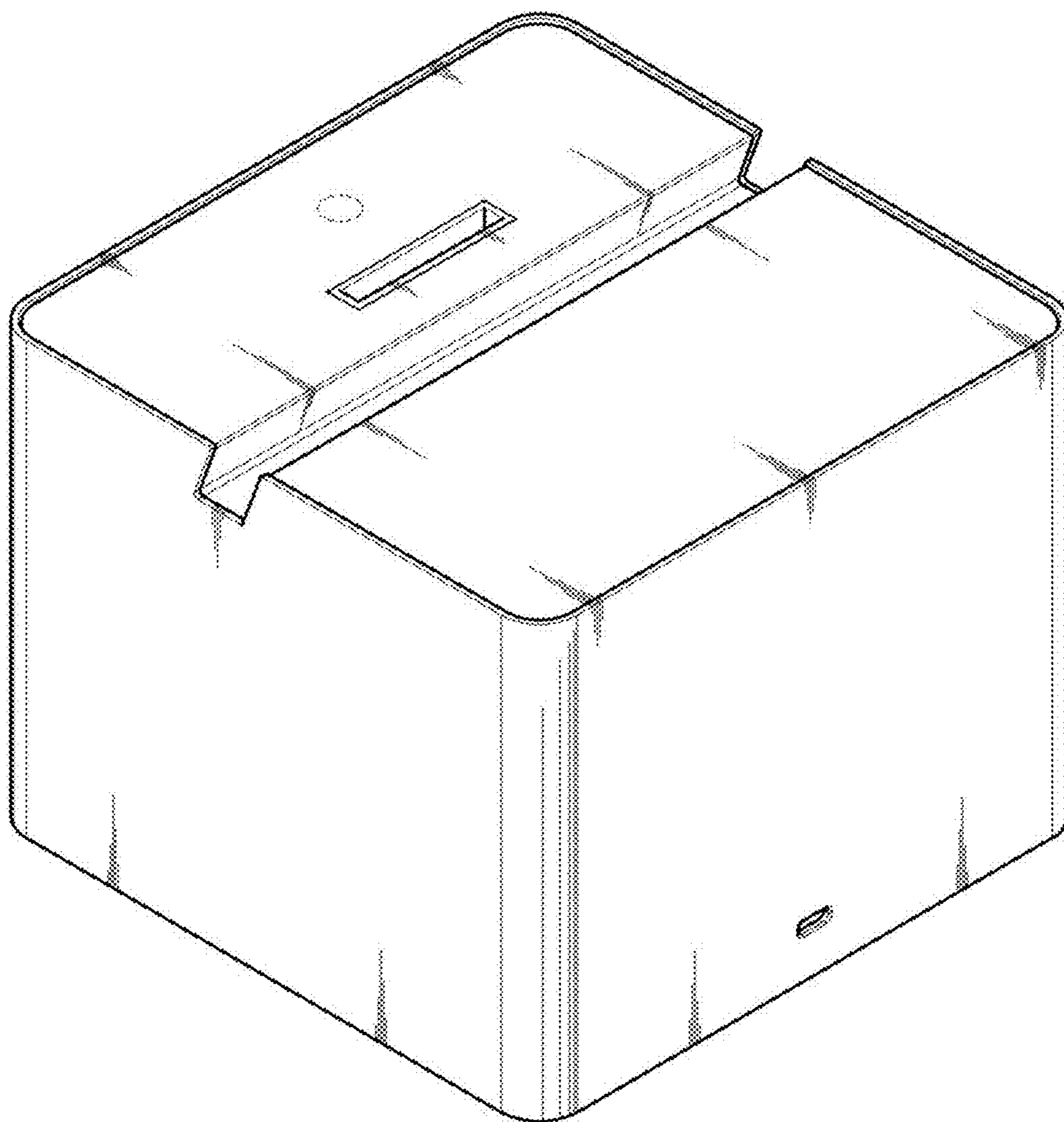


FIG. 9

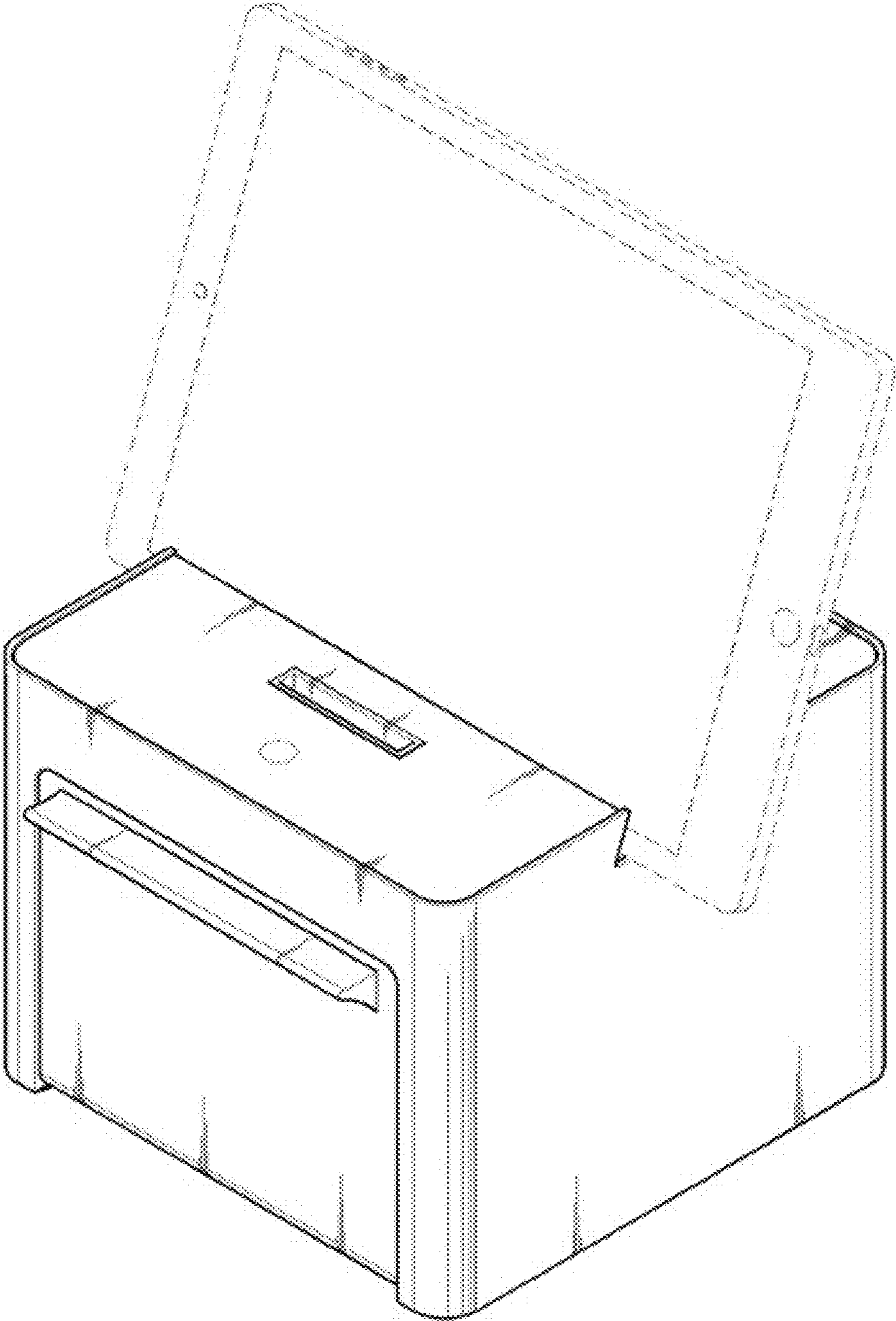


FIG. 10

